



US00D783788S

(12) **United States Design Patent**
Taylor

(10) **Patent No.:** **US D783,788 S**

(45) **Date of Patent:** **** Apr. 11, 2017**

(54) **TOILET SEAT COVER KIT**

(71) Applicant: **Phyllis Taylor**, Fresno, CA (US)

(72) Inventor: **Phyllis Taylor**, Fresno, CA (US)

(**) Term: **15 Years**

(21) Appl. No.: **29/558,283**

(22) Filed: **Mar. 16, 2016**

(51) **LOC (10) Cl.** **23-02**

(52) **U.S. Cl.**
USPC **D23/312**

(58) **Field of Classification Search**
USPC D23/311, 303, 309, 312
CPC A47K 13/00; A47K 13/14; A47K 13/16;
A47K 13/18
See application file for complete search history.

(56) **References Cited**

U.S. PATENT DOCUMENTS

D195,397 S *	6/1963	Whitehorn	D23/312
D209,272 S *	11/1967	Tate, Jr.	D23/312
D252,946 S *	9/1979	Johnson	D23/312
D333,345 S *	2/1993	Strahan	D23/311
D333,701 S *	3/1993	Meeks	D23/311

D342,859 S *	1/1994	Garcia	D23/312
5,887,291 A	3/1999	Bellizzi		
D435,091 S *	12/2000	Miller	D23/311
D520,618 S *	5/2006	Morgan	D23/312
D605,262 S	12/2009	Rodgers		
2003/0208836 A1	11/2003	Bankemper		
2006/0123530 A1	6/2006	Smith		
2007/0033720 A1	2/2007	Mapenzi-Xe		
2007/0124854 A1	6/2007	Spratt et al.		

* cited by examiner

Primary Examiner — Robert Delehanty

(74) *Attorney, Agent, or Firm* — Stevenson IP, LLC

(57) **CLAIM**

The ornamental design for a toilet seat cover kit, as shown and described.

DESCRIPTION

FIG. 1 is a top plan view of a toilet seat cover kit showing my new design;

FIG. 2 is a bottom plan view thereof;

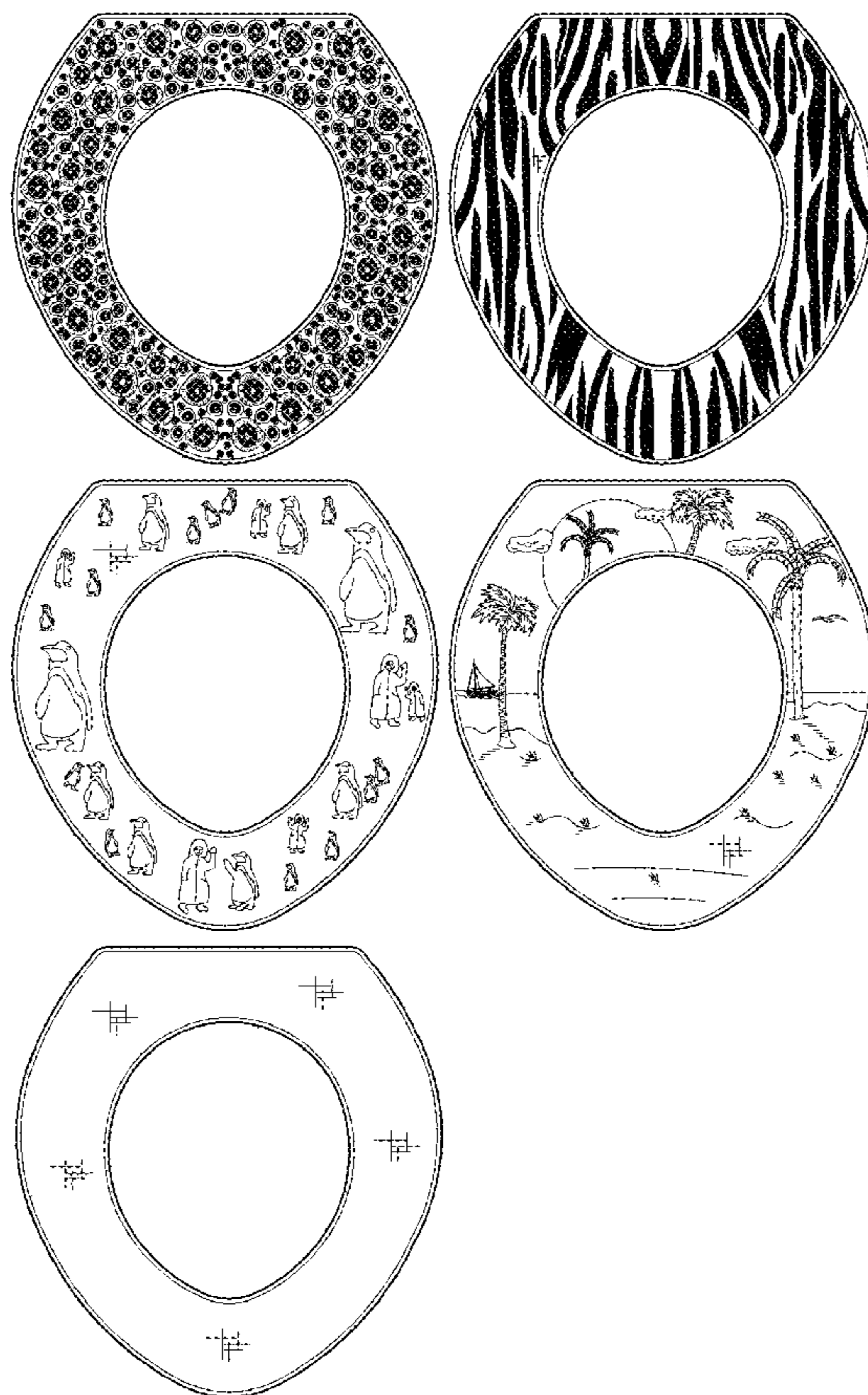
FIG. 3 is a right side elevation view thereof, the opposite side being a mirror image of the shown;

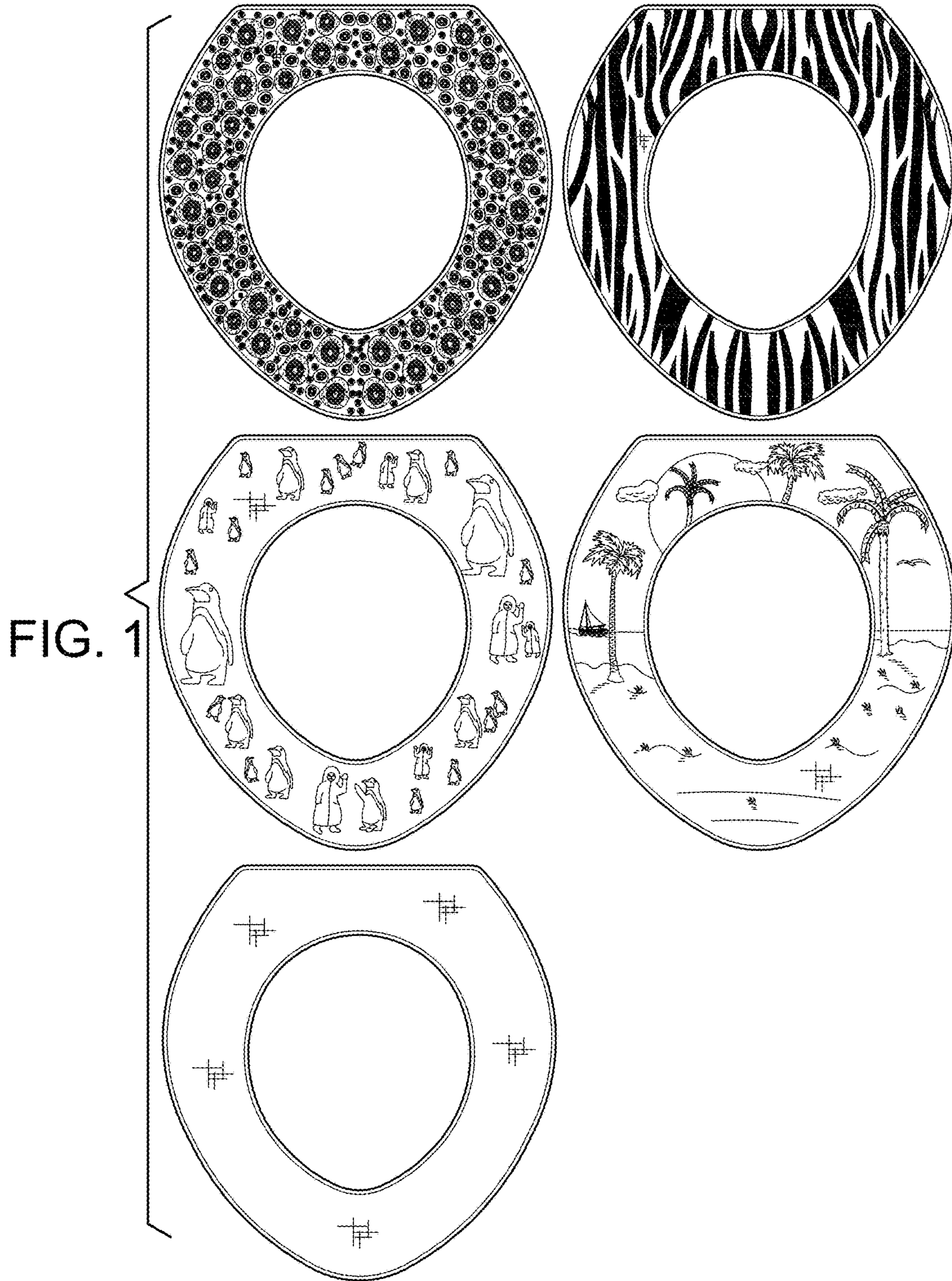
FIG. 4 is a front elevation view thereof;

FIG. 5 is a rear elevation view thereof; and,

FIG. 6 is an isometric view thereof.

1 Claim, 5 Drawing Sheets





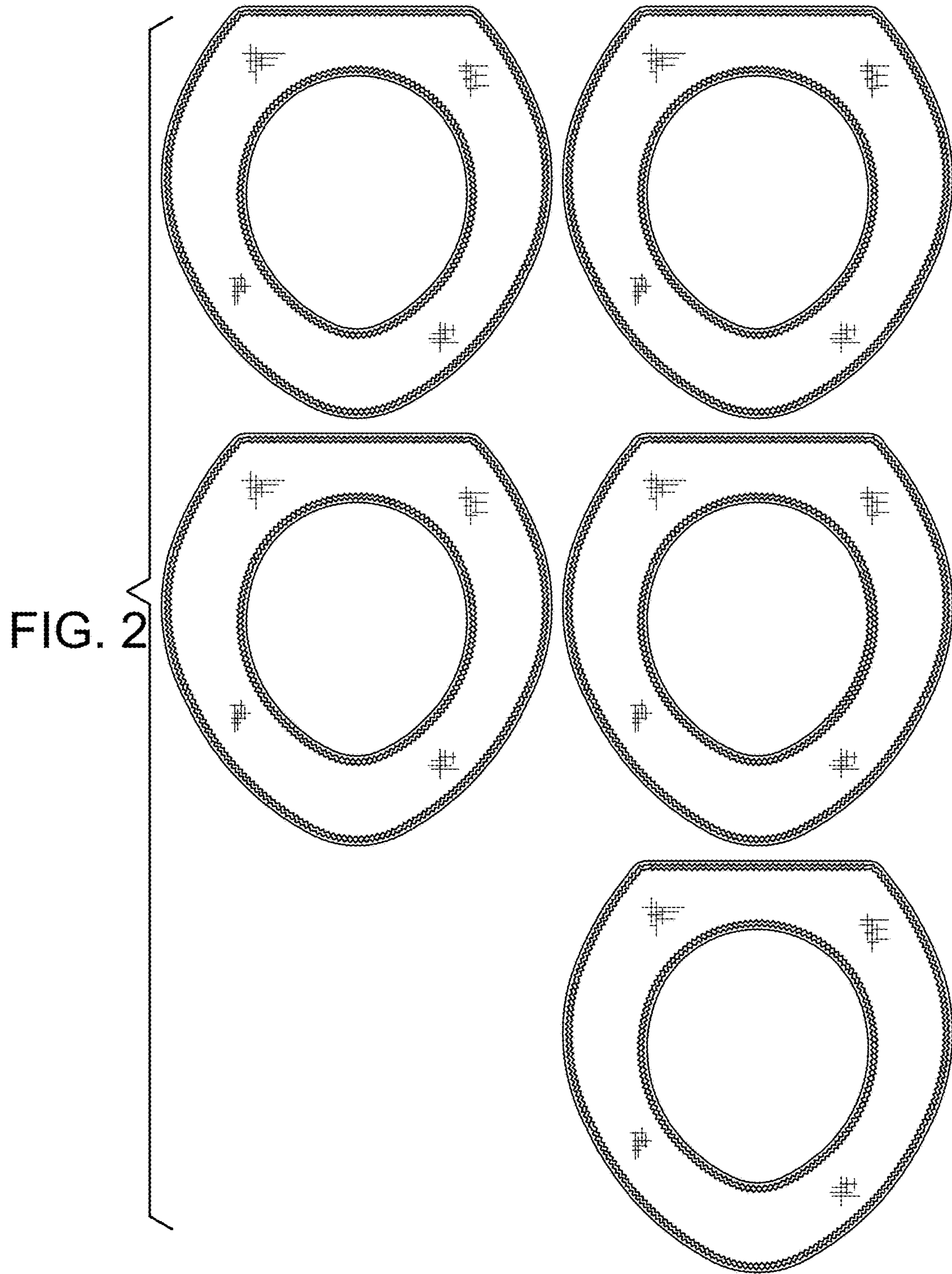


FIG. 3

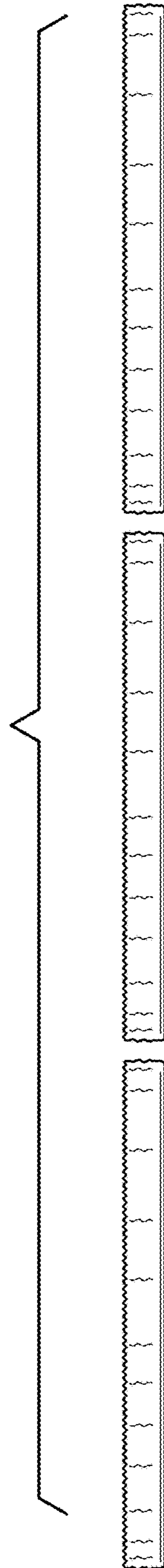




FIG. 4



FIG. 5

