



US00D783787S

(12) **United States Design Patent** (10) **Patent No.:** **US D783,787 S**  
**Kurz** (45) **Date of Patent:** **\*\* Apr. 11, 2017**

(54) **VANITY BASE**

*Primary Examiner* — Robert Delehanty

(71) Applicant: **Ronbow Corporation**, Fremont, CA (US)

(74) *Attorney, Agent, or Firm* — Thomas Schneck

(72) Inventor: **Dorian Kurz**, Solingen (DE)

(57) **CLAIM**

(73) Assignee: **RONBOW CORPORATION**, Fremont, CA (US)

I claim the design for a vanity base, as shown and described.

(\*\*) Term: **15 Years**

**DESCRIPTION**

(21) Appl. No.: **29/566,601**

(22) Filed: **Jun. 1, 2016**

(51) **LOC (10) Cl.** ..... **23-02**

(52) **U.S. Cl.**  
USPC ..... **D23/286**

(58) **Field of Classification Search**  
USPC ..... D23/270–273, 284, 286–287, 285, 303,  
D23/308; D6/655, 655.1, 656, 663, 671,  
D6/668, 709, 677, 668.2, 668.1  
CPC ... E03D 11/12; E03C 1/14; E03C 1/18; E03C  
1/182  
See application file for complete search history.

FIG. 1 is an upper front right perspective view of a vanity base of my design;  
FIG. 2 is a top plan view thereof;  
FIG. 3 is a bottom plan view thereof;  
FIG. 4 is a front plan view thereof;  
FIG. 5 is a rear plan view thereof;  
FIG. 6 is an enlarged right side plan view thereof, the left side plan view being a mirror image thereof;  
FIG. 7 is an upper front right perspective view of a second embodiment of a vanity base of my design;  
FIG. 8 is an enlarged top plan view thereof;  
FIG. 9 is a bottom plan view thereof;  
FIG. 10 is a front plan view thereof;  
FIG. 11 is an enlarged rear plan view thereof; and,  
FIG. 12 is an enlarged right side plan view thereof, the left side plan view being a mirror image thereof.  
The broken lines shown in the drawings are included for the purpose of illustrating a portion of the vanity base that forms no part of the claimed design.

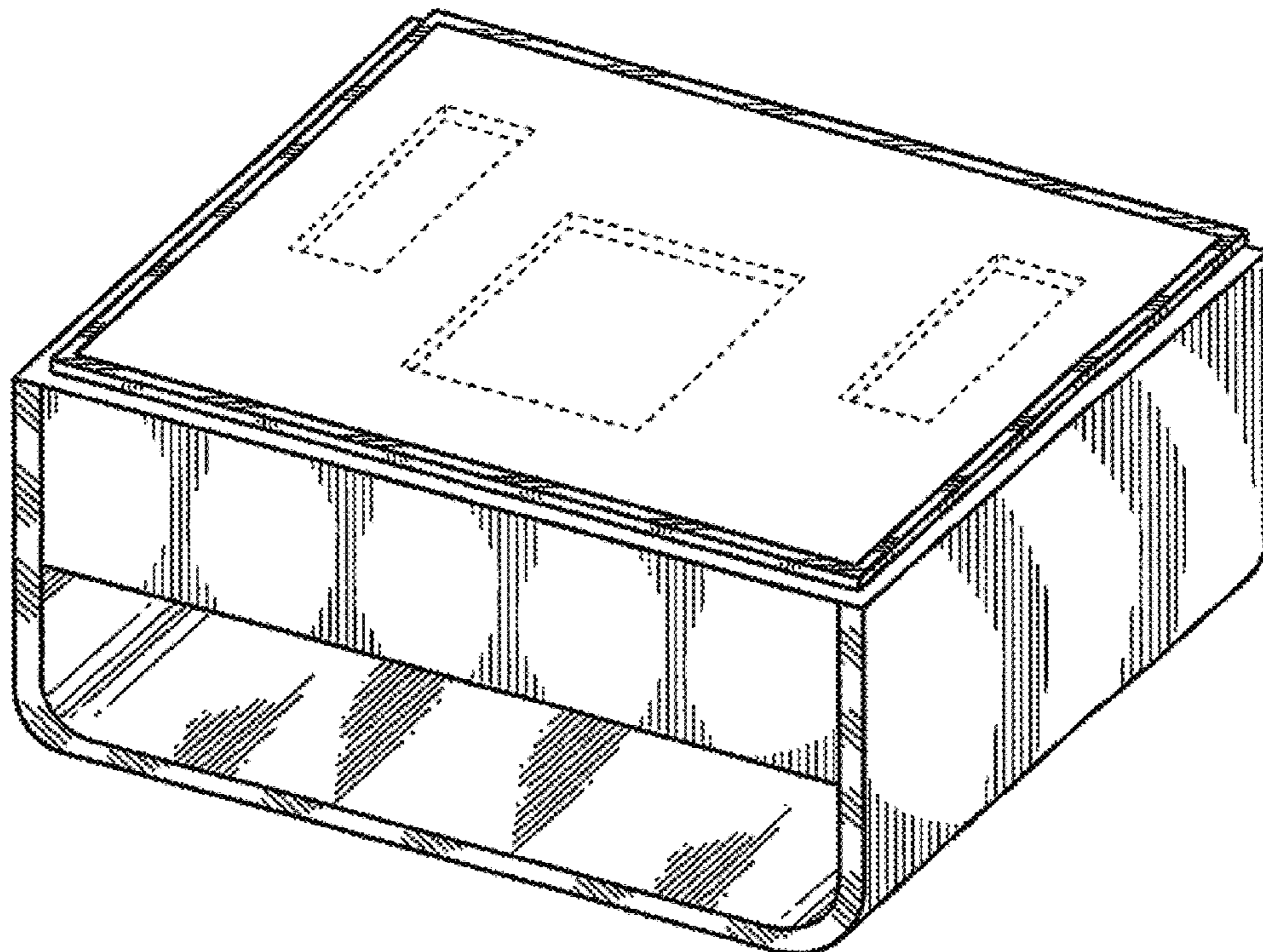
(56) **References Cited**

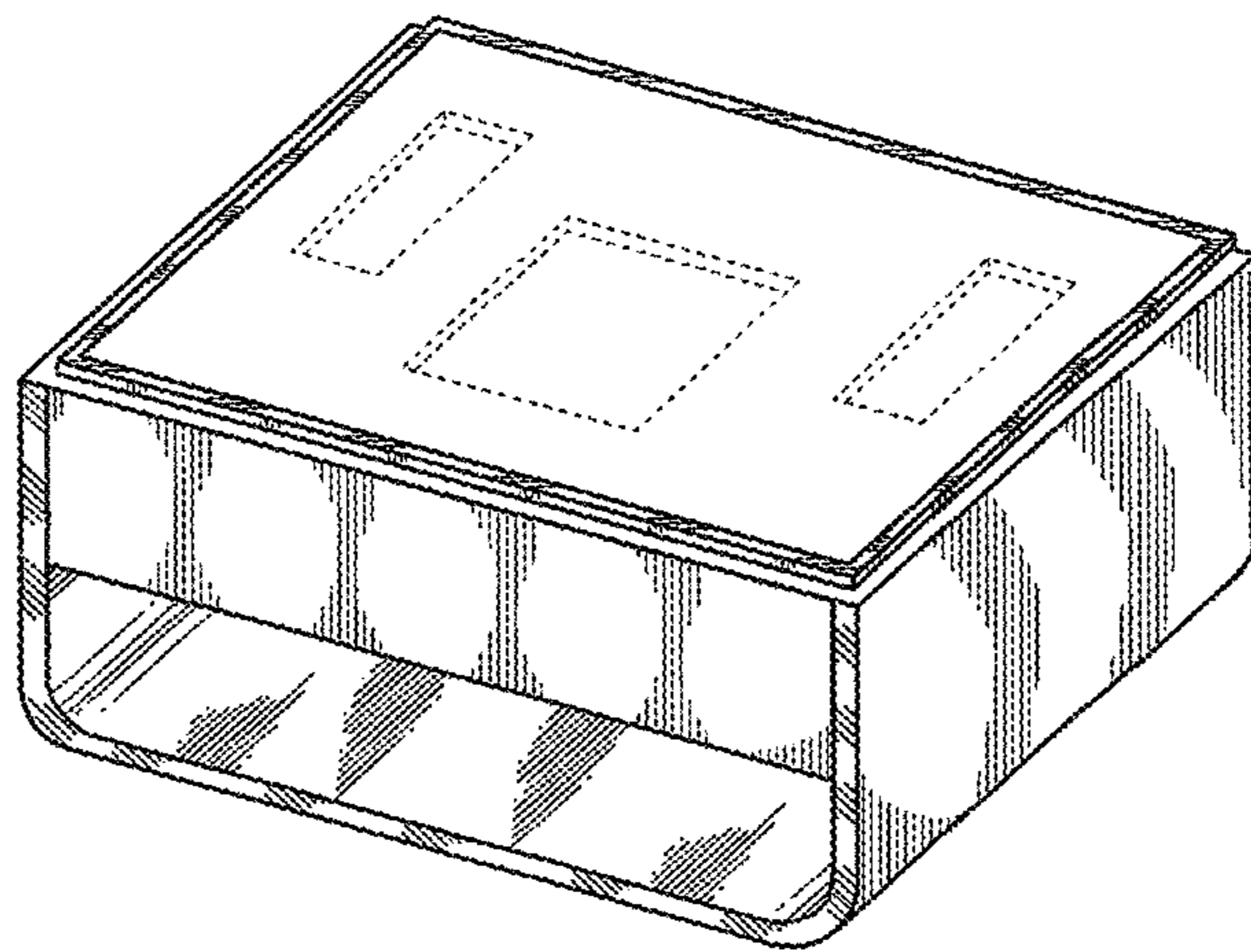
**U.S. PATENT DOCUMENTS**

D149,527 S \* 5/1948 Thomas ..... D6/691.8  
D587,350 S \* 2/2009 Ziemann ..... D23/286  
D602,135 S \* 10/2009 LeTourneau ..... D23/286

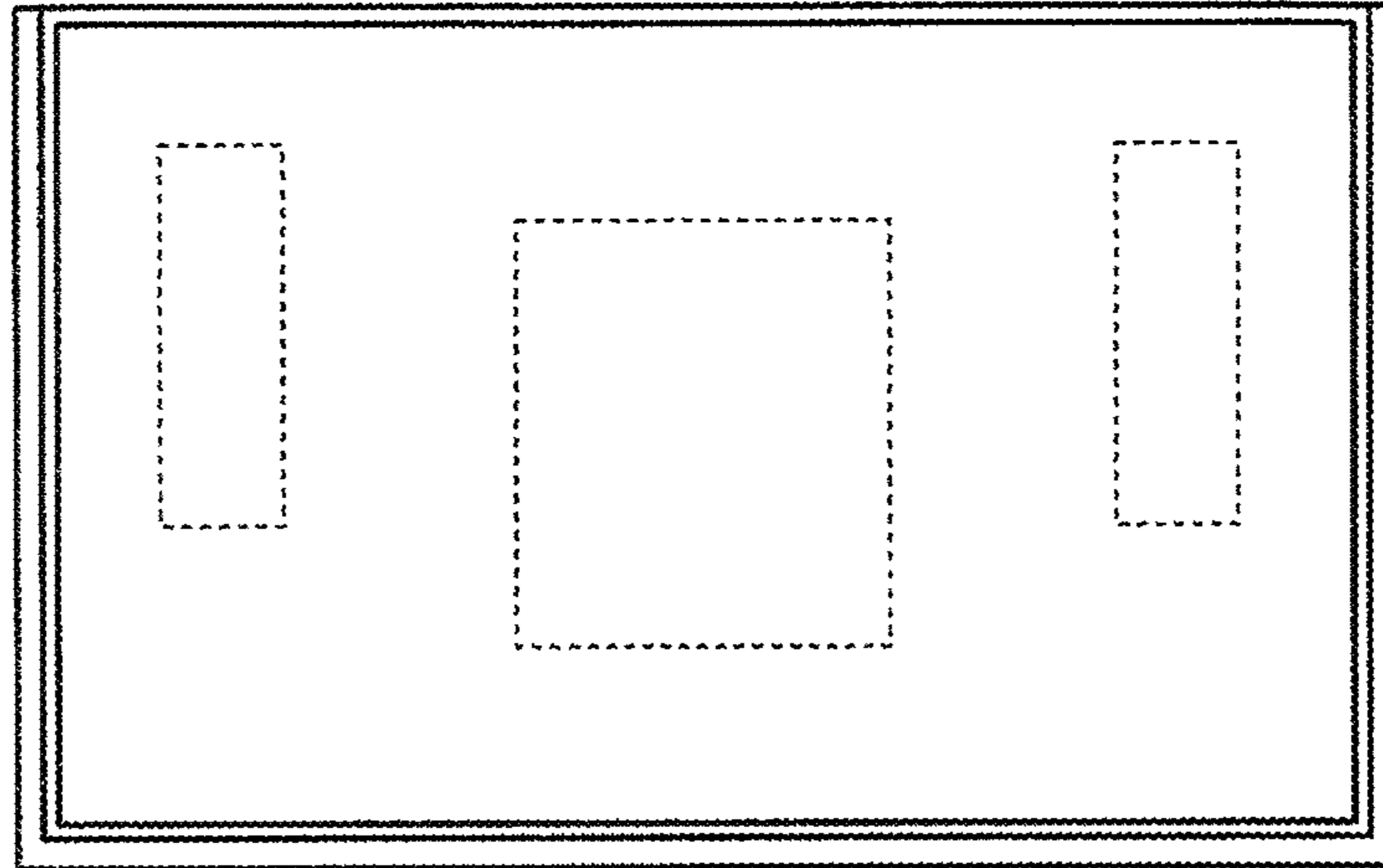
\* cited by examiner

**1 Claim, 10 Drawing Sheets**

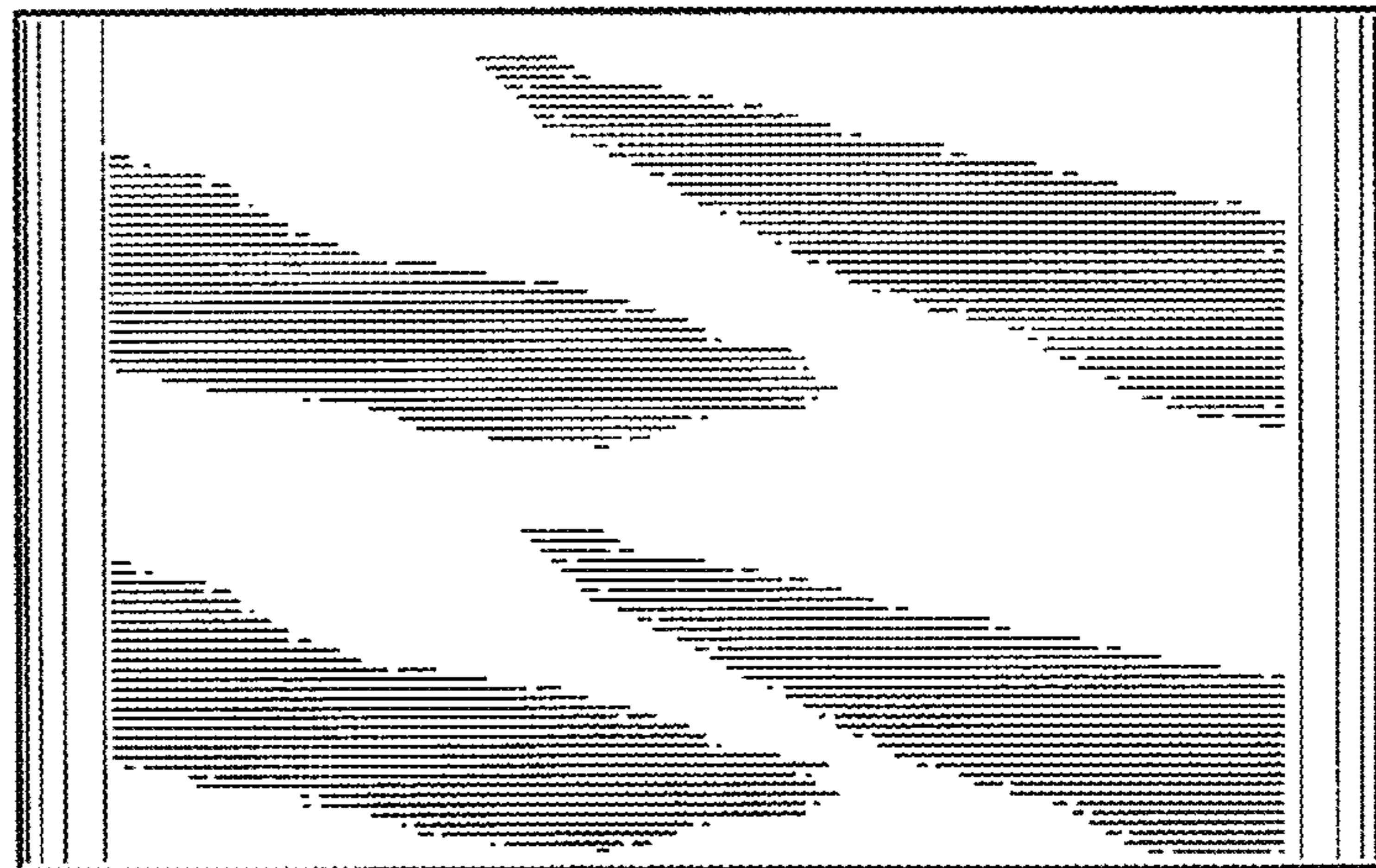




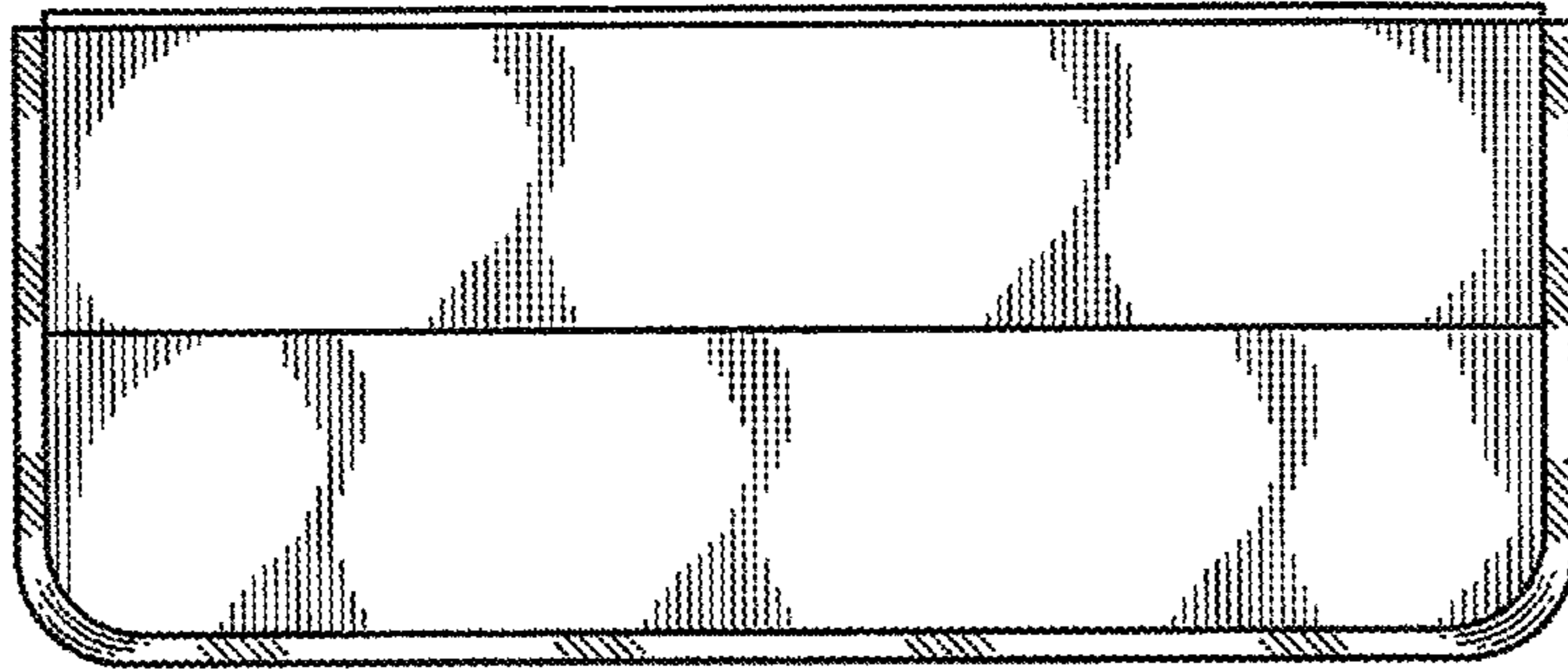
*Fig. 1*



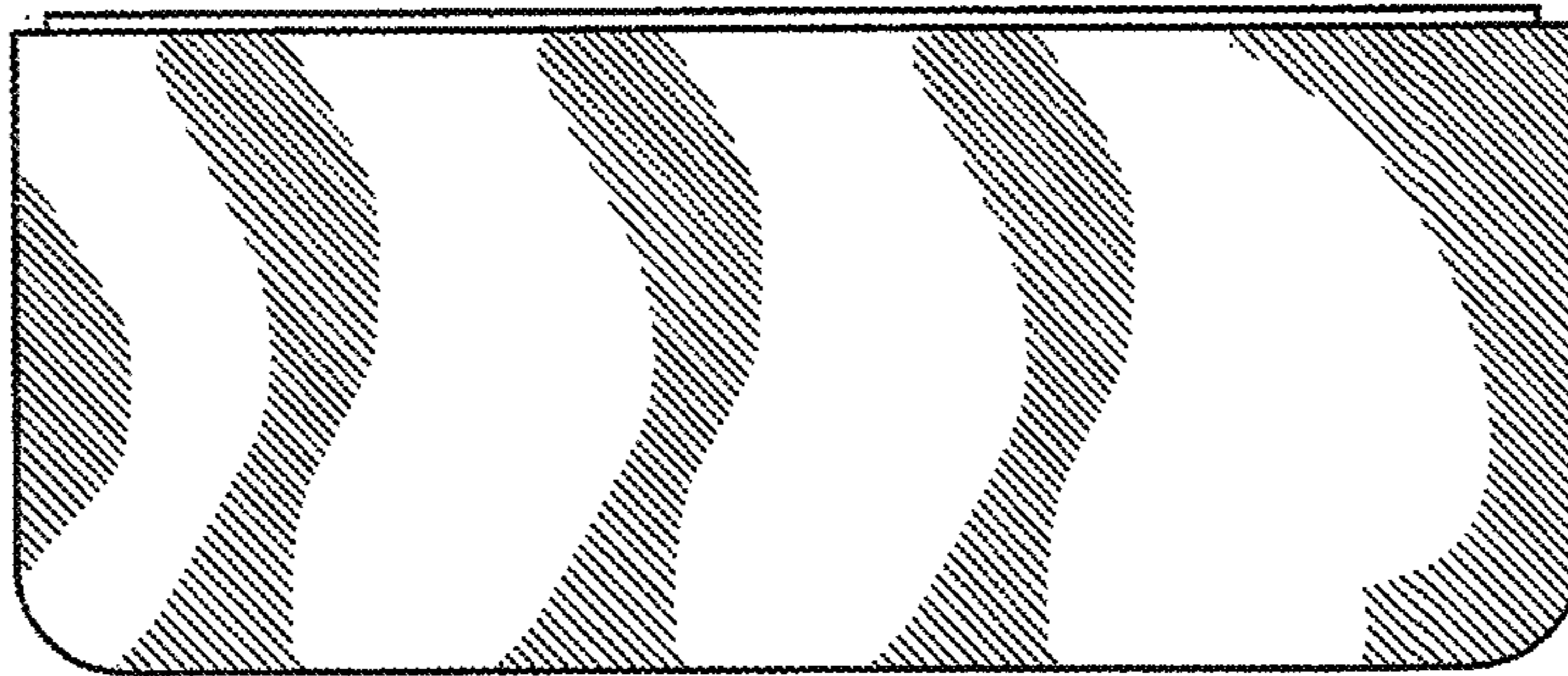
*Fig. 2*



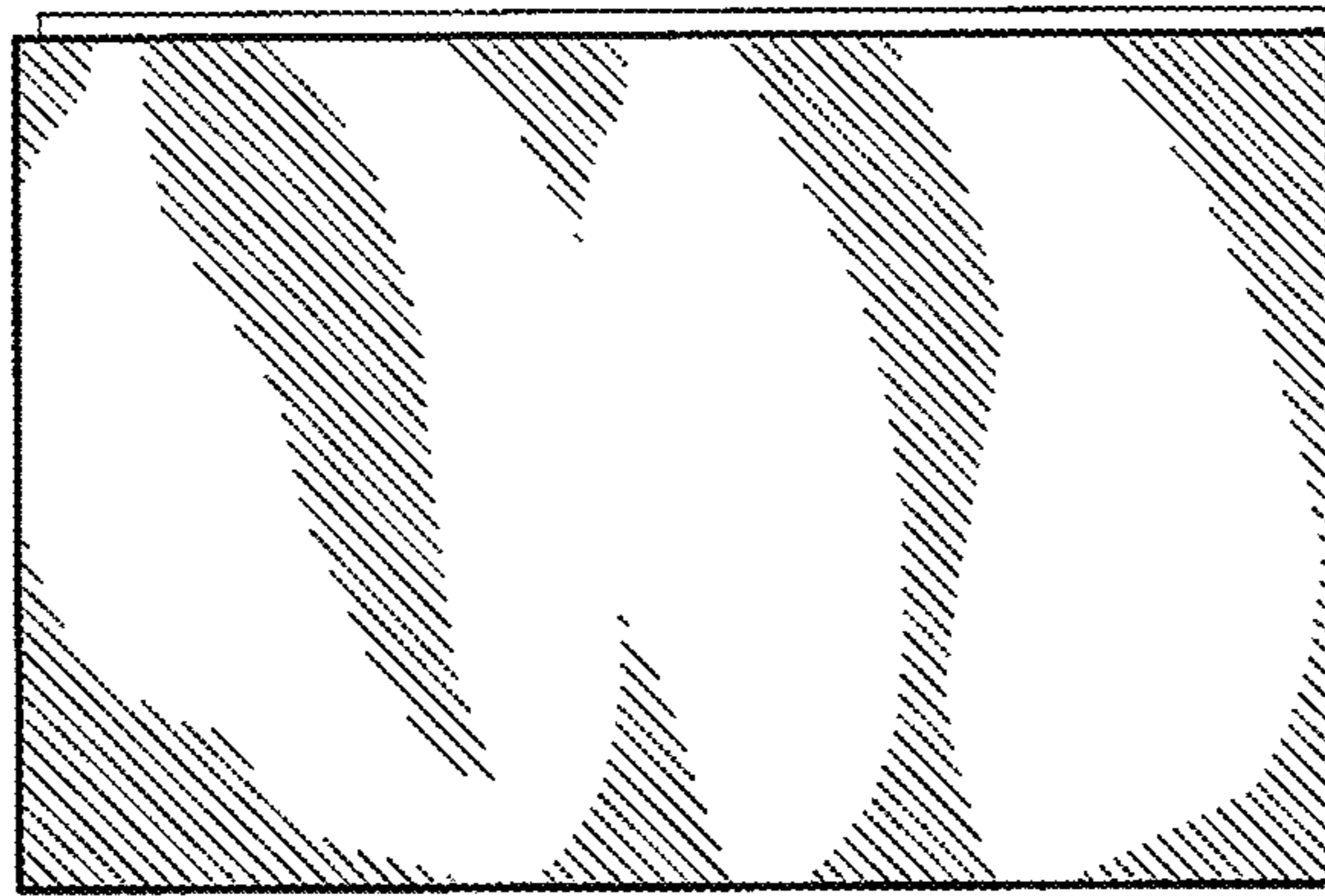
*Fig. 3*



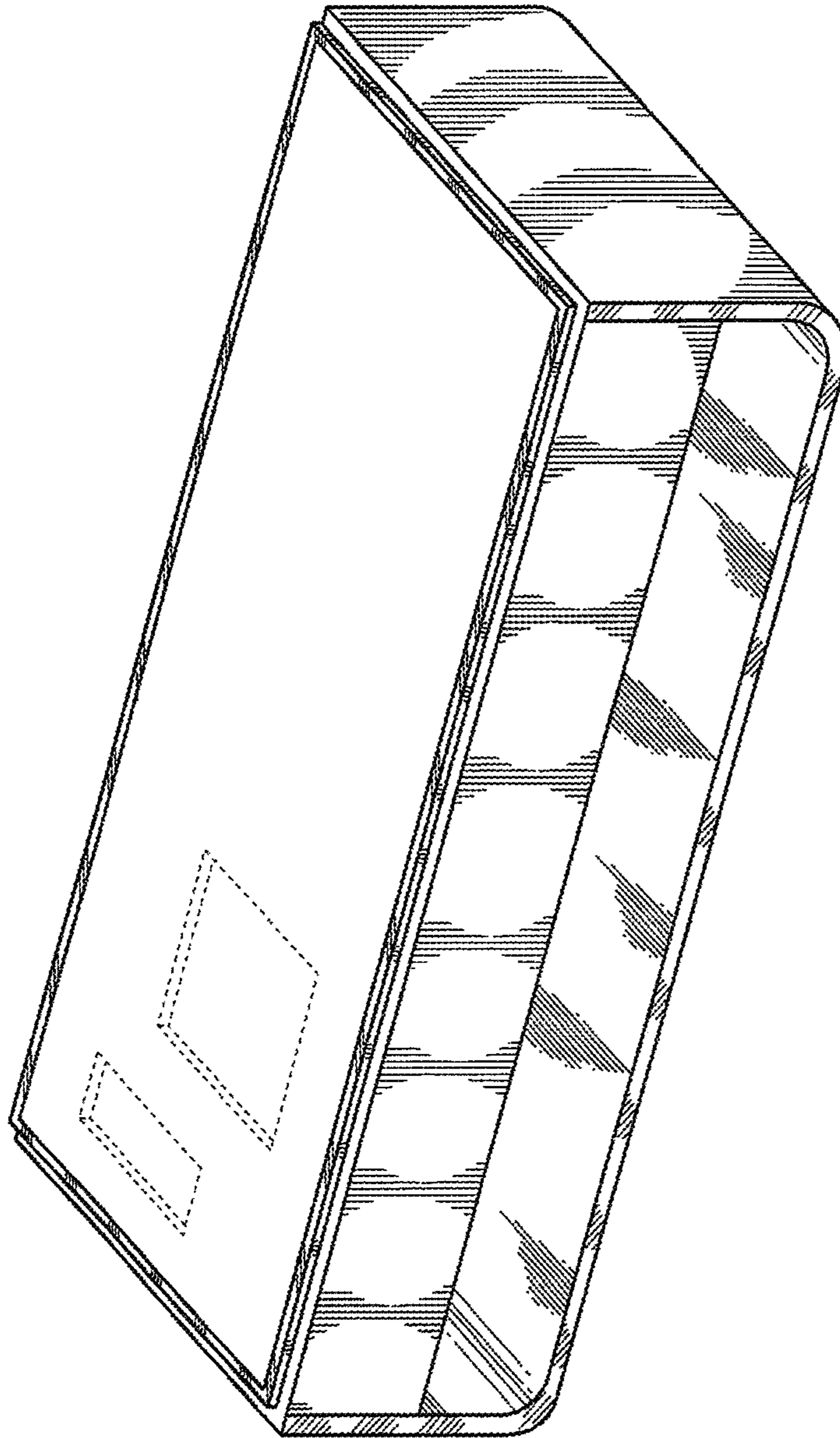
*Fig. 4*



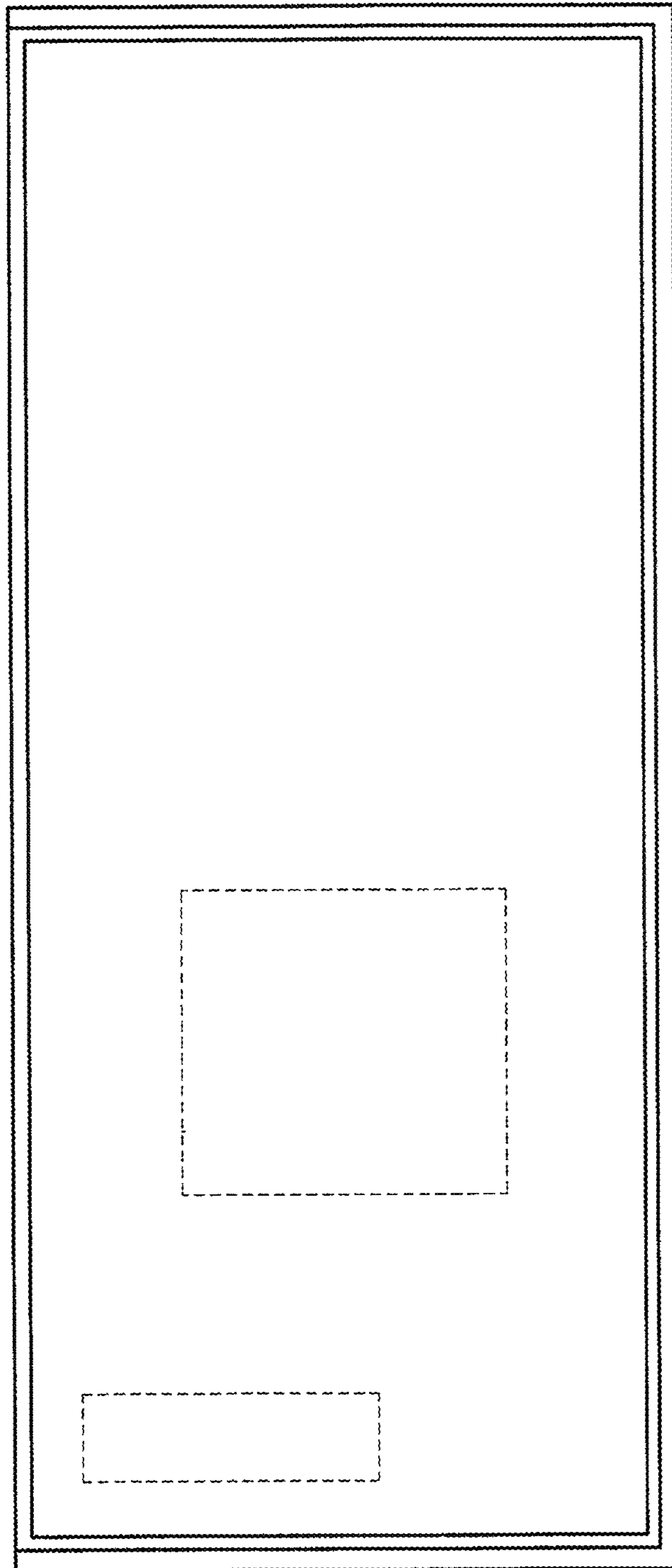
*Fig. 5*



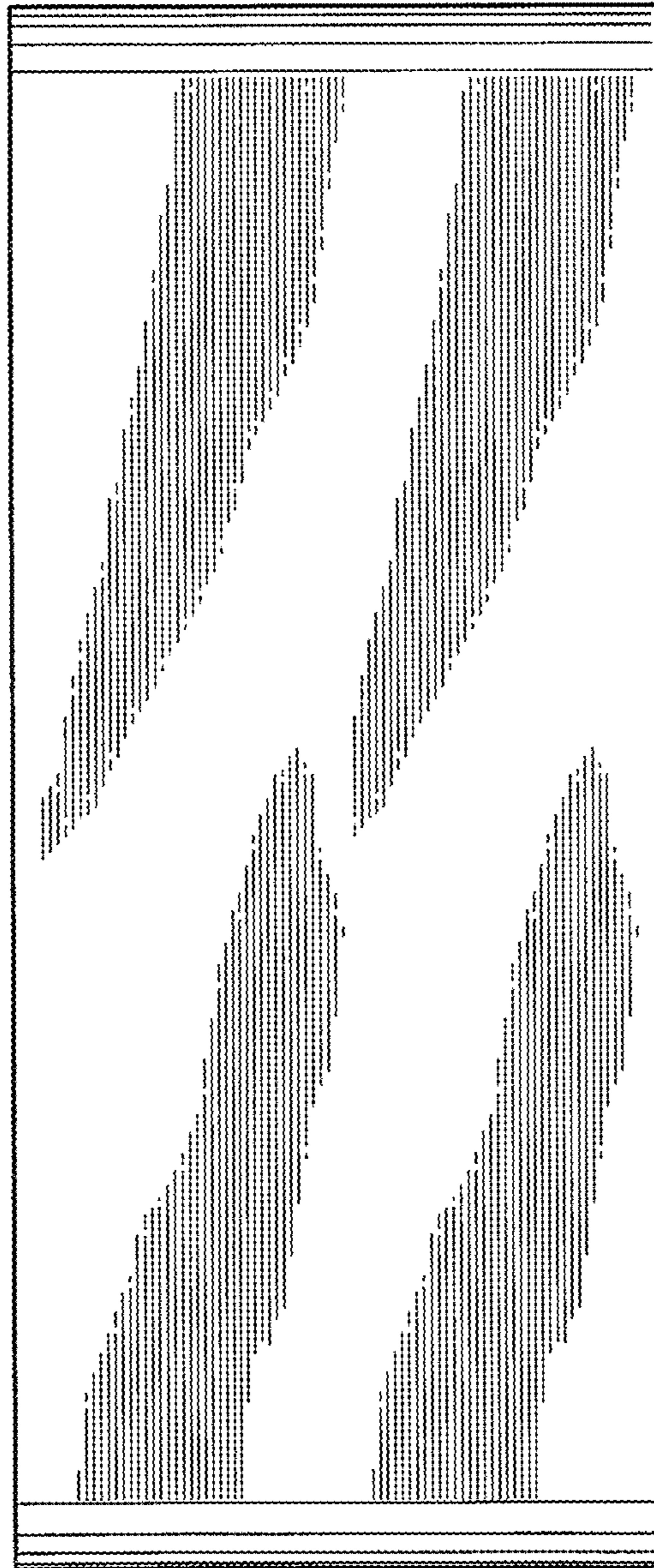
*Fig. 6*



*Fig. 7*

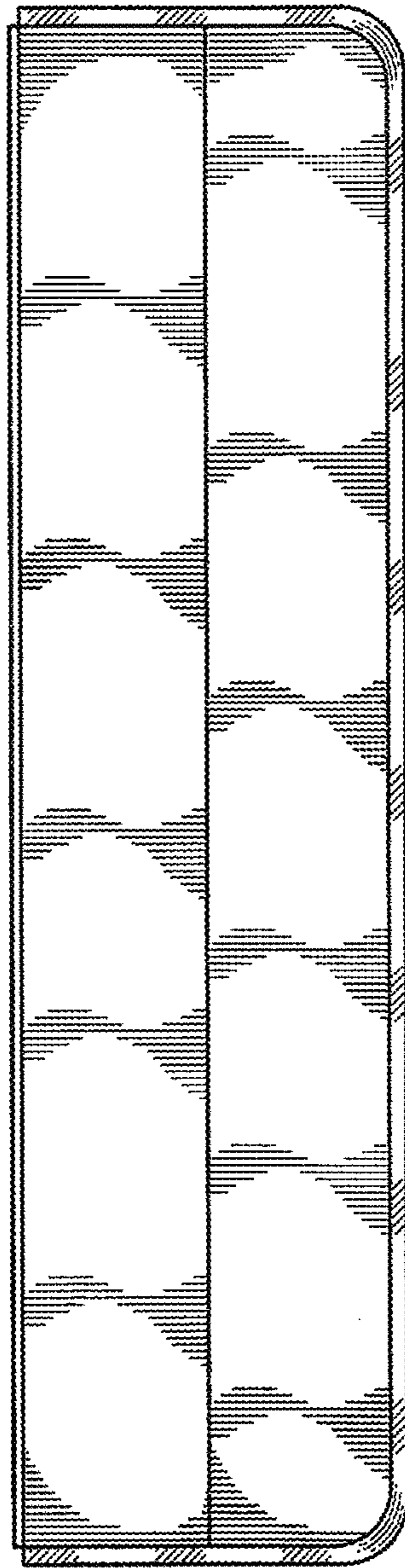


*Fig. 8*

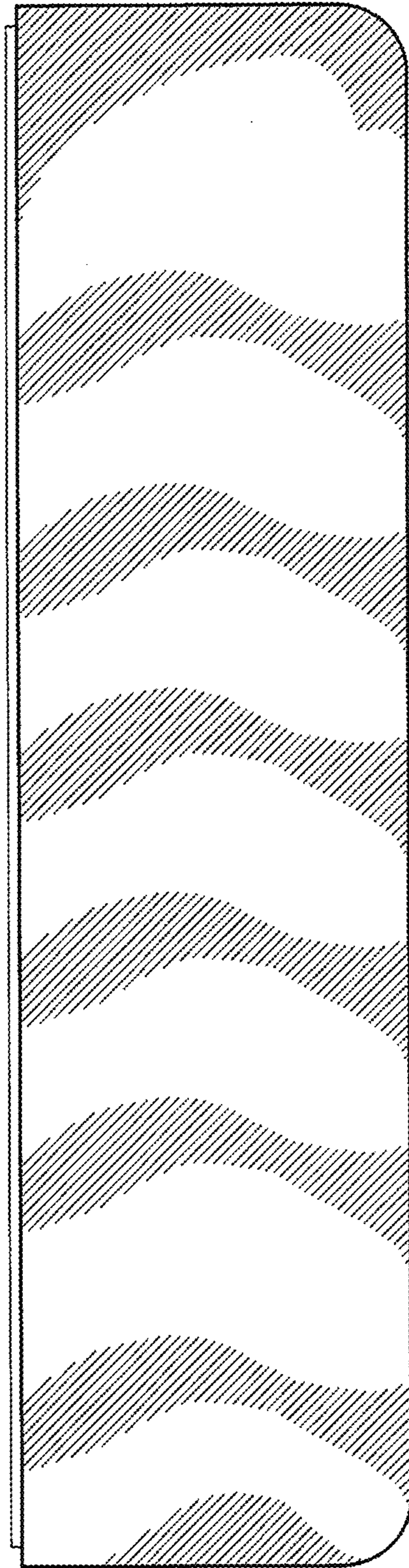


*Fig. 9*

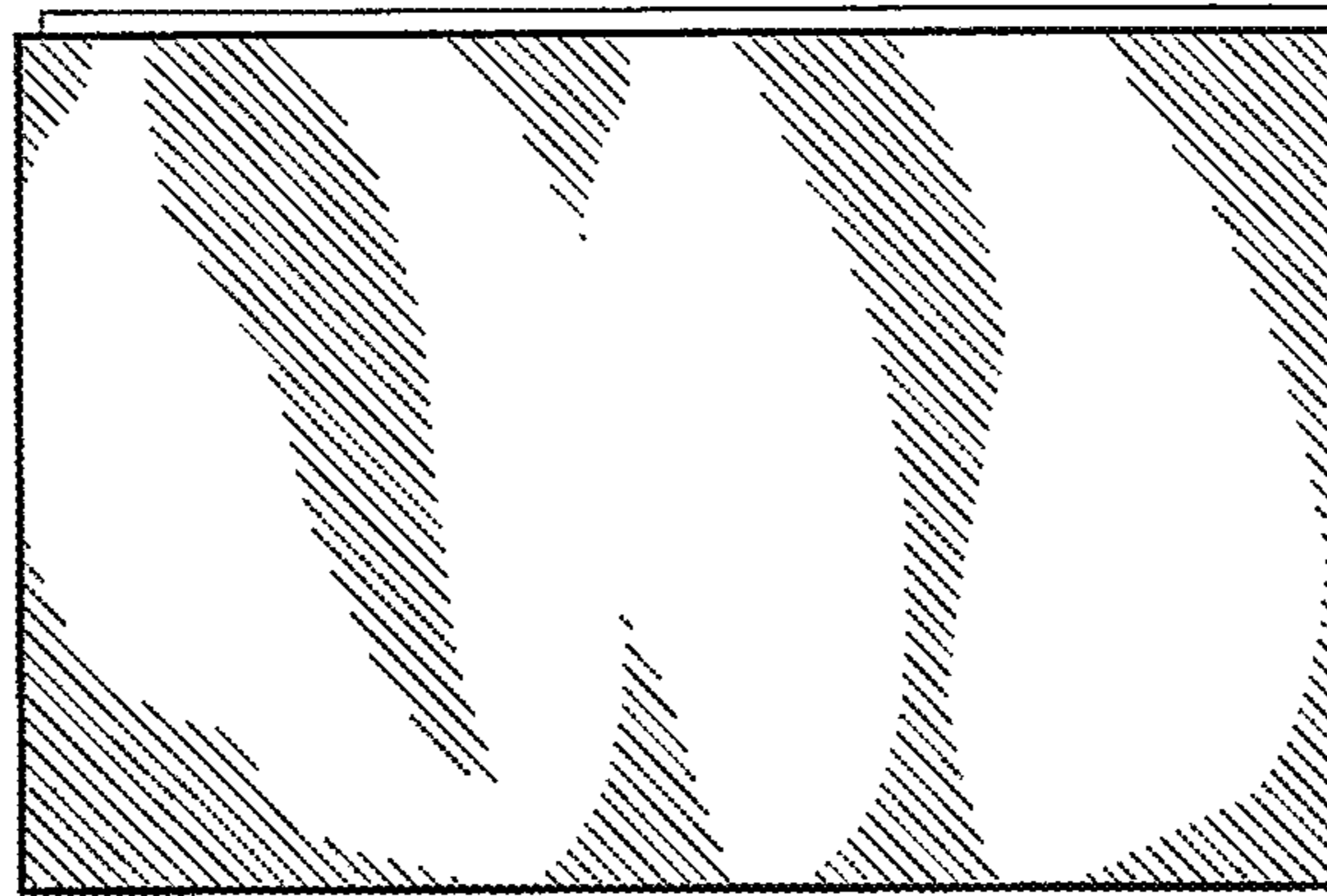




*Fig. 10*



*Fig. 11*



*Fig. 12*