



US00D783784S

(12) **United States Design Patent**
Bates-Hurtado

(10) **Patent No.:** **US D783,784 S**

(45) **Date of Patent:** **** Apr. 11, 2017**

(54) **NOZZLE FOR A DRAIN HOSE**

(71) Applicant: **CRISER, S.A. DE C.V.**, Guadalupe (MX)

(72) Inventor: **Francisco Bates-Hurtado**, Guadalupe (MX)

(73) Assignee: **CRISER, S.A. DE C.V.**, Guadalupe, Nuevo Leon (MX)

(**) Term: **15 Years**

(21) Appl. No.: **29/531,849**

(22) Filed: **Jun. 30, 2015**

(30) **Foreign Application Priority Data**

Jan. 30, 2015 (MX) MX/f/2015/000332

(51) **LOC (10) Cl.** **23-01**

(52) **U.S. Cl.**
USPC **D23/266**

(58) **Field of Classification Search**

USPC D23/213, 259, 262-263, 266;
D7/397-398; D24/129

CPC F16L 15/06; F16L 43/001; F16L 37/18;
F16L 37/20; F16L 37/091; B67B 7/26

See application file for complete search history.

(56) **References Cited**

U.S. PATENT DOCUMENTS

3,565,467 A * 2/1971 Haldopoulos et al. . F16K 19/00
285/139.3

D235,343 S * 6/1975 Otto D23/262

D275,314 S *	8/1984	Cornell	285/140.1
D286,005 S *	10/1986	Rutter	D23/259
D410,284 S *	5/1999	Piontek	D24/129
D439,636 S *	3/2001	Hamilton	D23/213
D460,546 S *	7/2002	Sjoberg	D23/370
D513,782 S *	1/2006	Lovett	D23/213
D598,985 S *	8/2009	Smith	D23/259
D686,306 S *	7/2013	Grether	D23/264
D705,402 S *	5/2014	Yu	D23/262

* cited by examiner

Primary Examiner — Eric Goodman

Assistant Examiner — Amy Wierenga

(74) *Attorney, Agent, or Firm* — Shlesinger, Arkwright & Garvey LLP

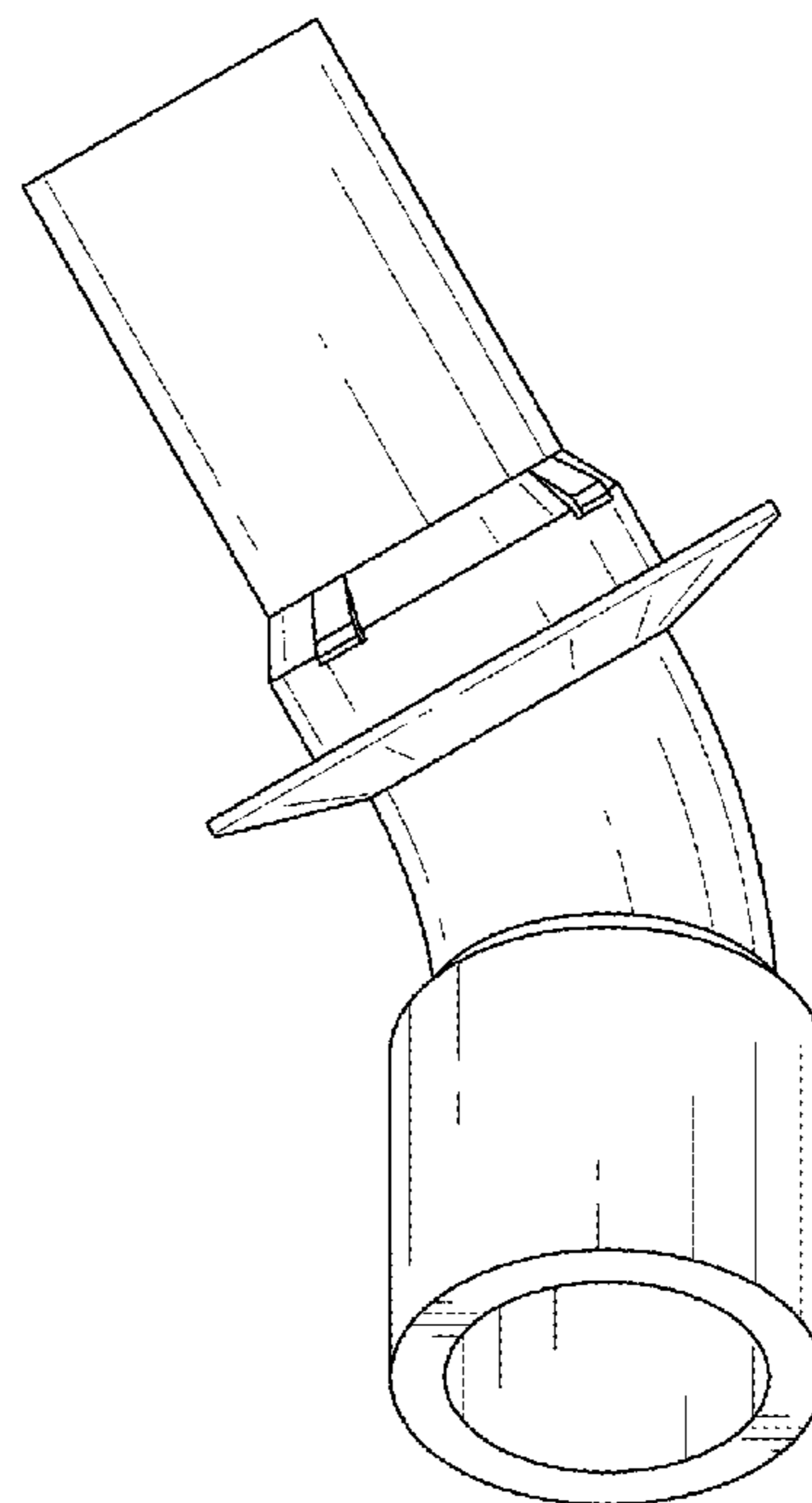
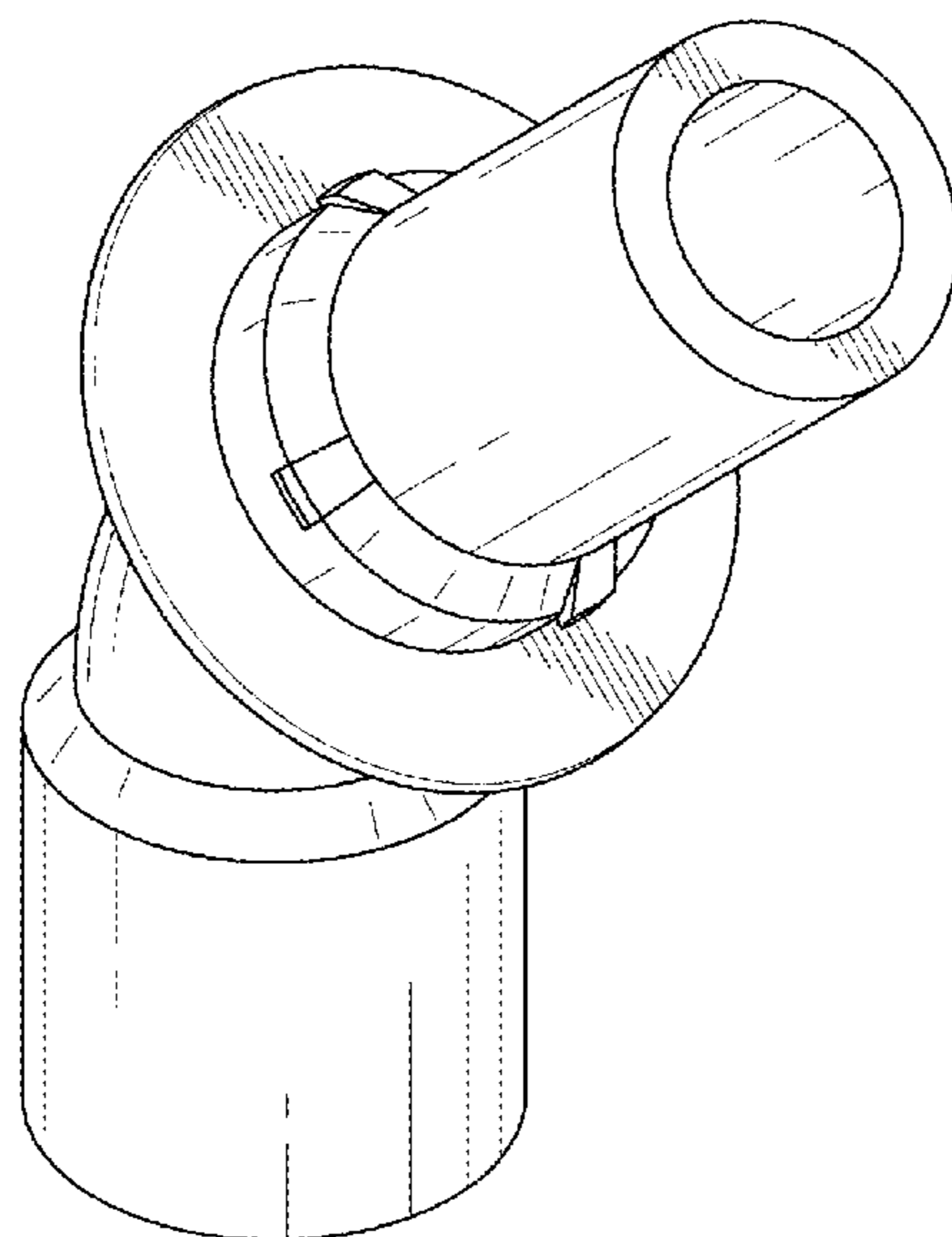
(57) **CLAIM**

The ornamental design for a nozzle for a drain hose, as shown and described.

DESCRIPTION

FIG. 1 is a front perspective of a nozzle for a drain hose embodying my new design;
FIG. 2 is a rear perspective thereof;
FIG. 3 is a front elevational view thereof;
FIG. 4 is a rear elevational view thereof;
FIG. 5 is a top plan view thereof;
FIG. 6 is a bottom plan view thereof;
FIG. 7 is a right side elevational view thereof; and,
FIG. 8 is left side elevational view thereof.
The dashed broken lines depict portions of the article that form no part of the claim.

1 Claim, 4 Drawing Sheets



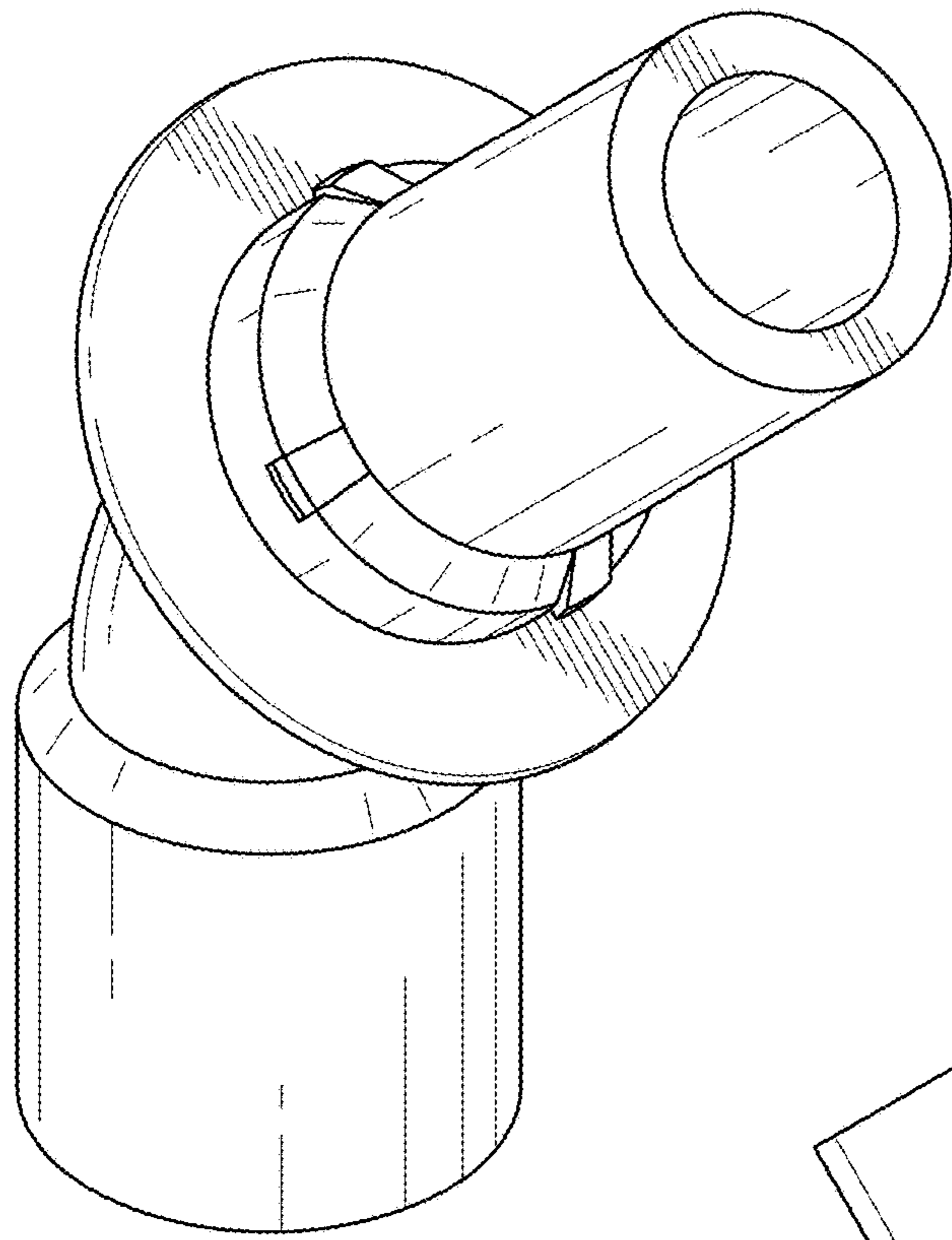


FIG. 1

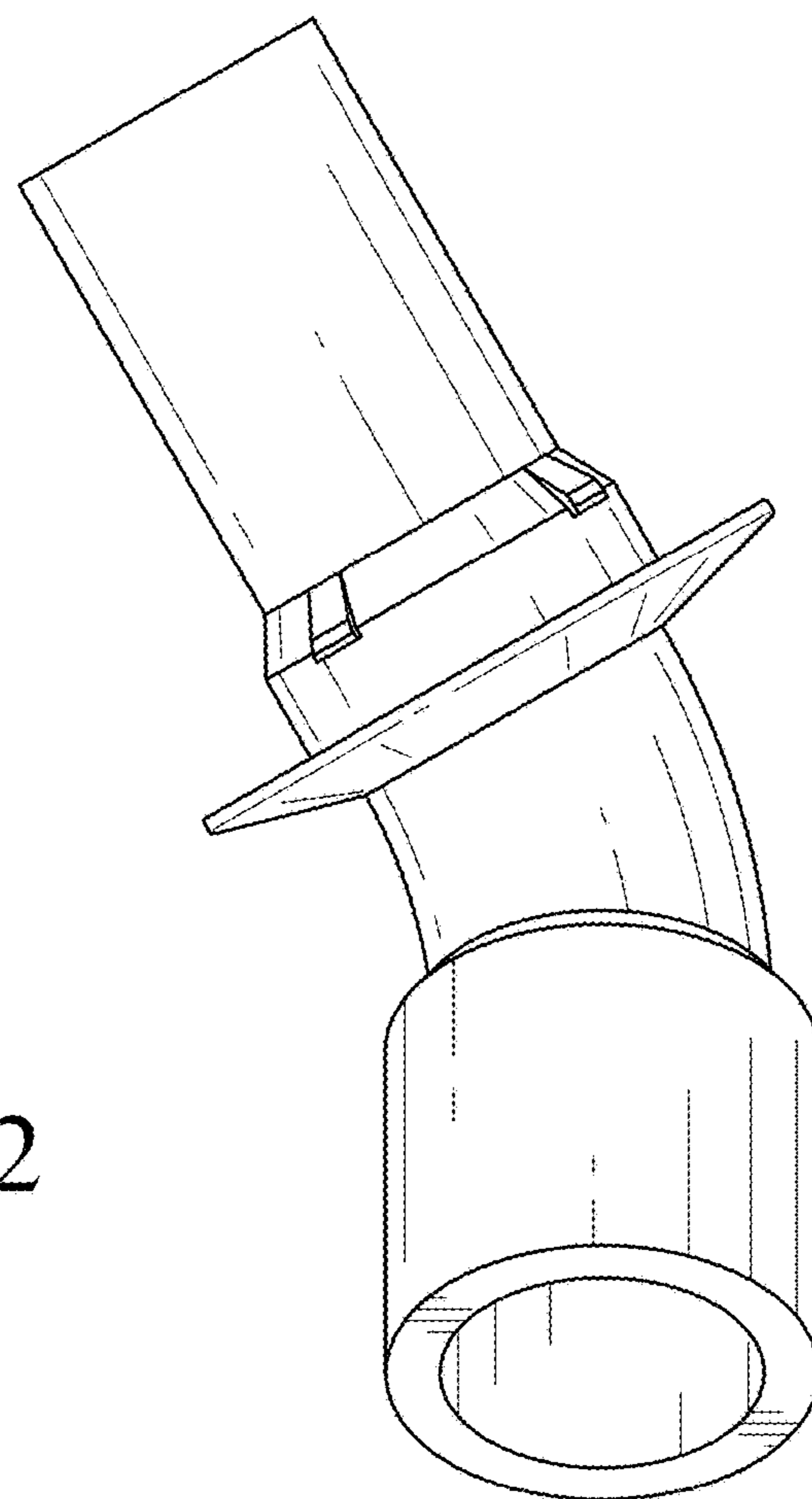


FIG. 2

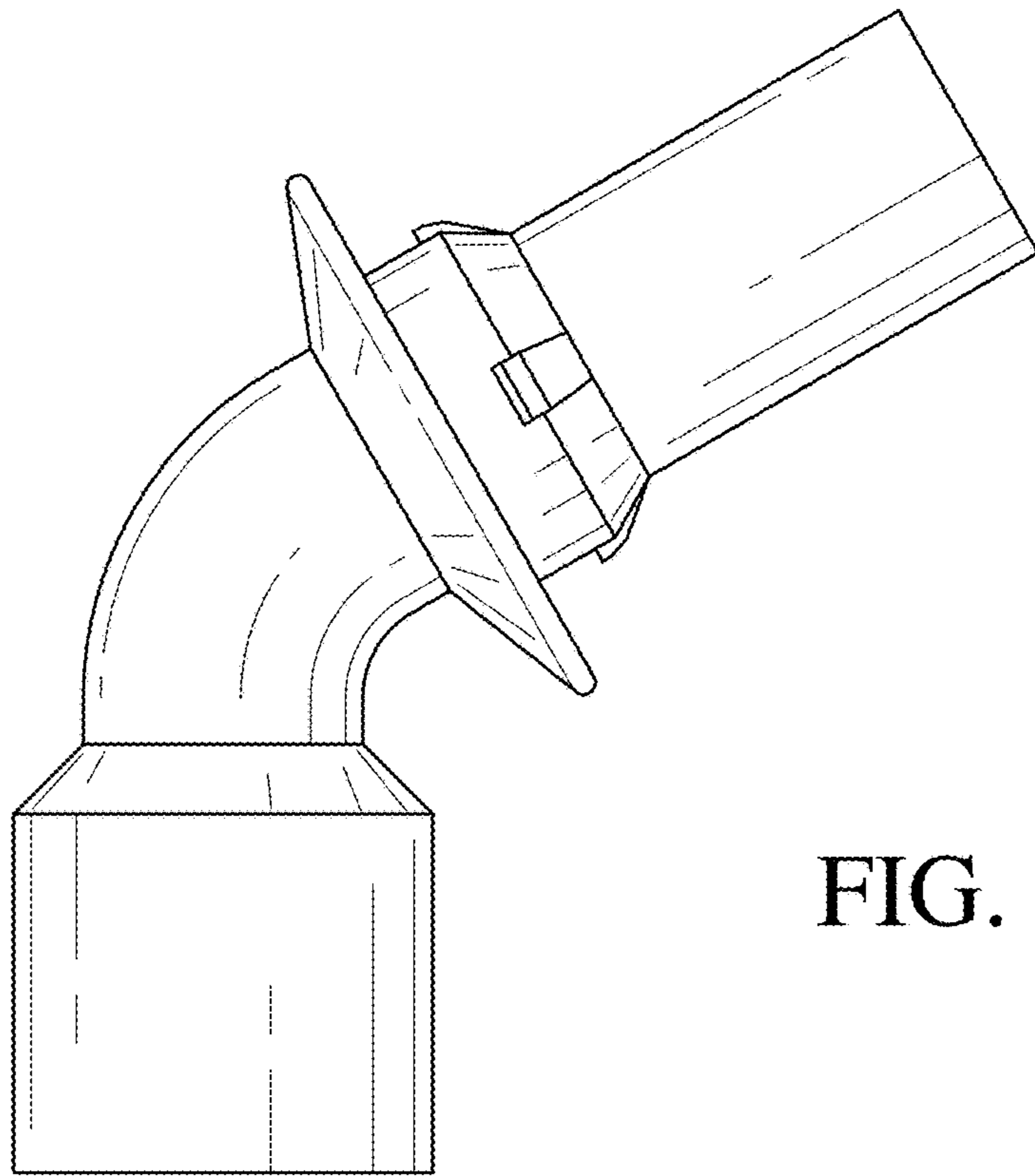


FIG. 3

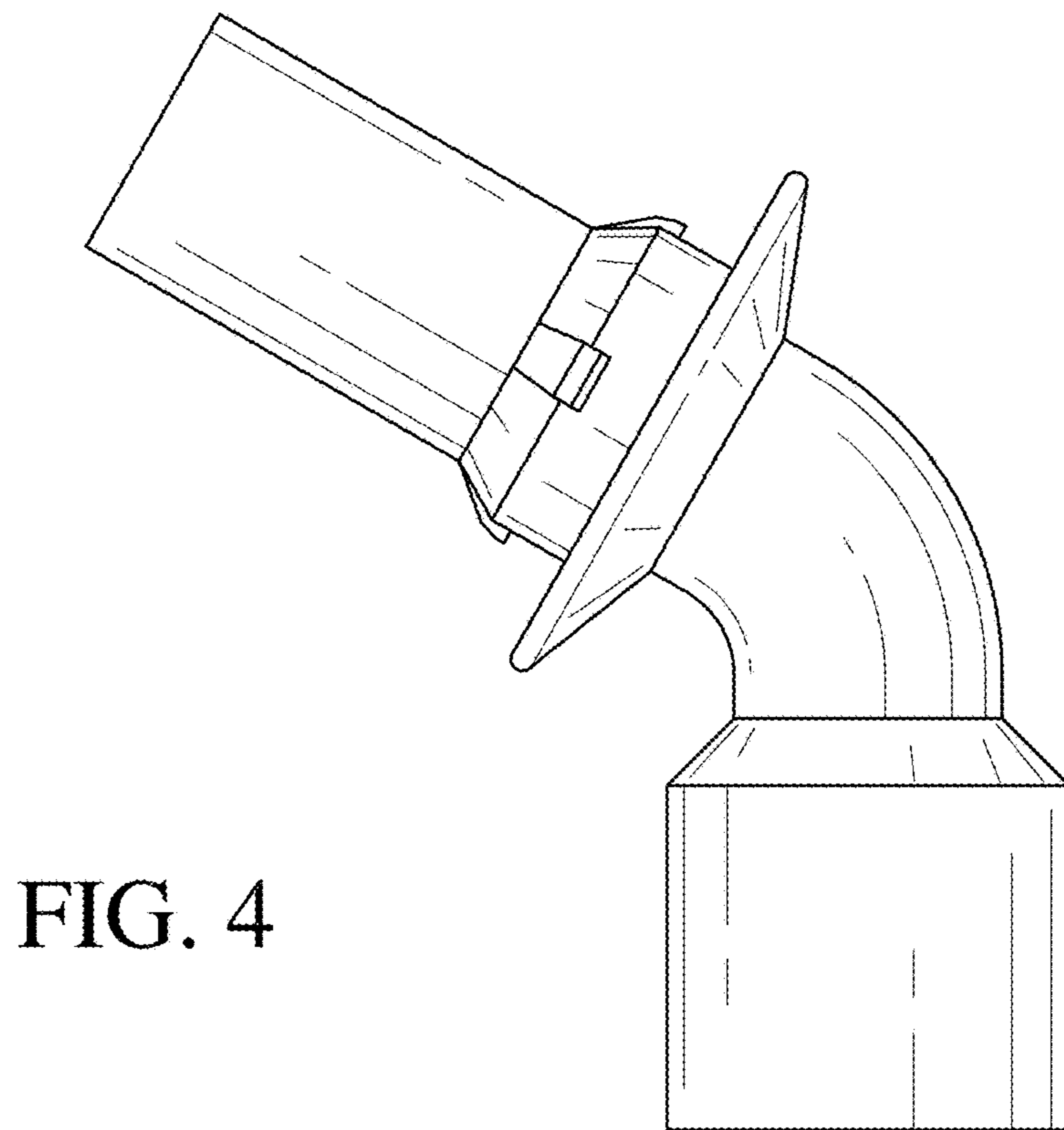


FIG. 4

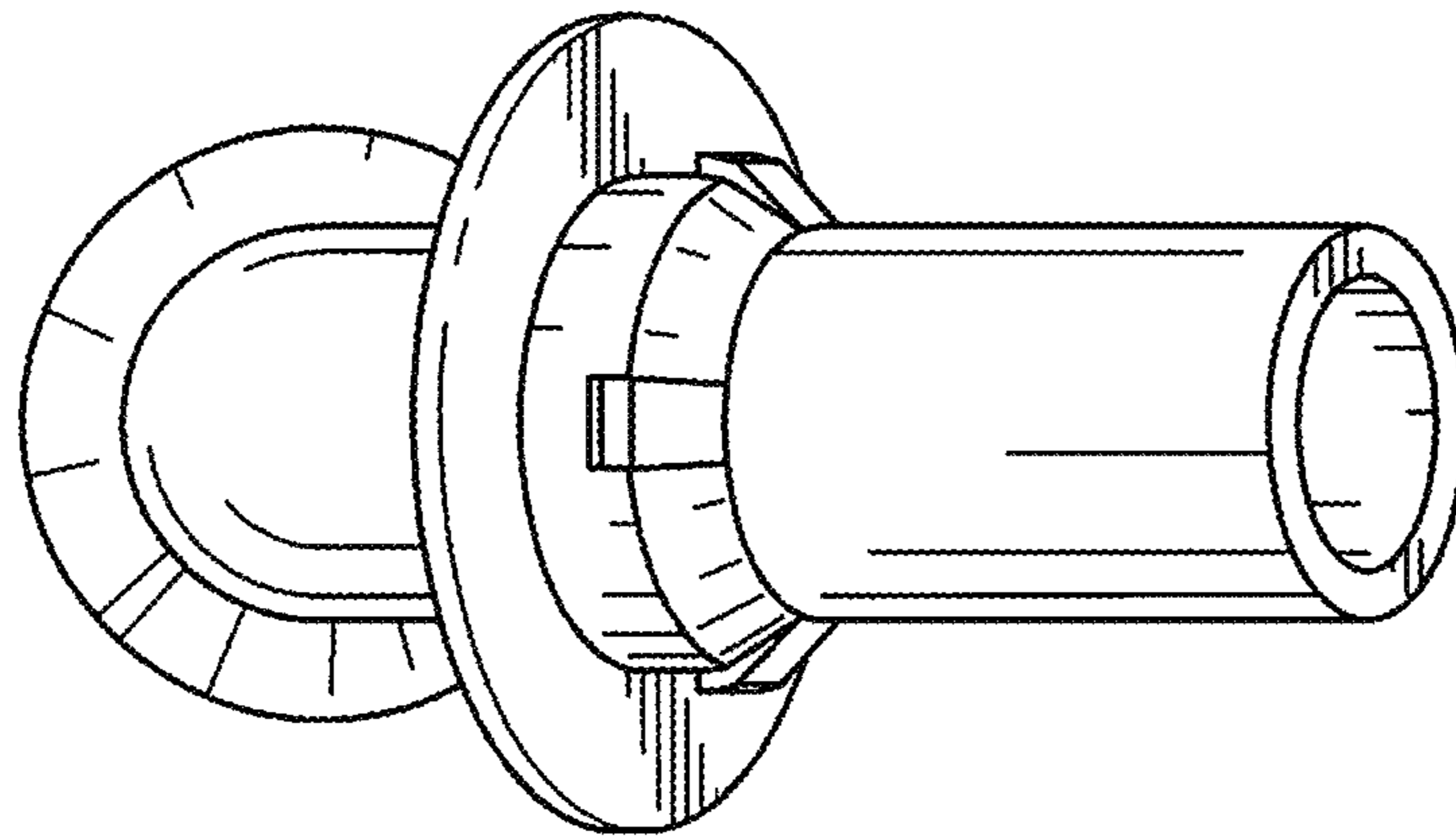


FIG. 5

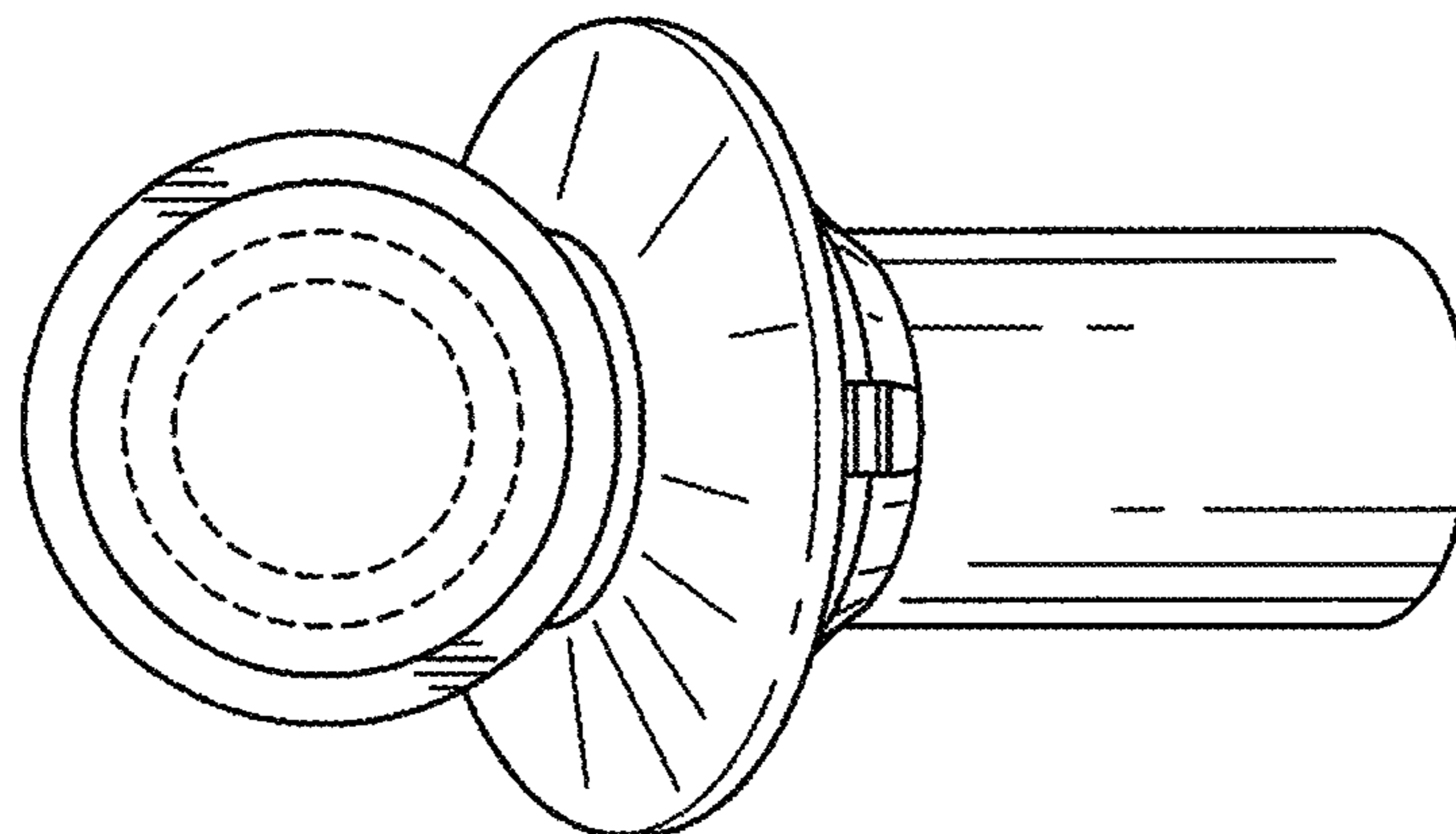


FIG. 6

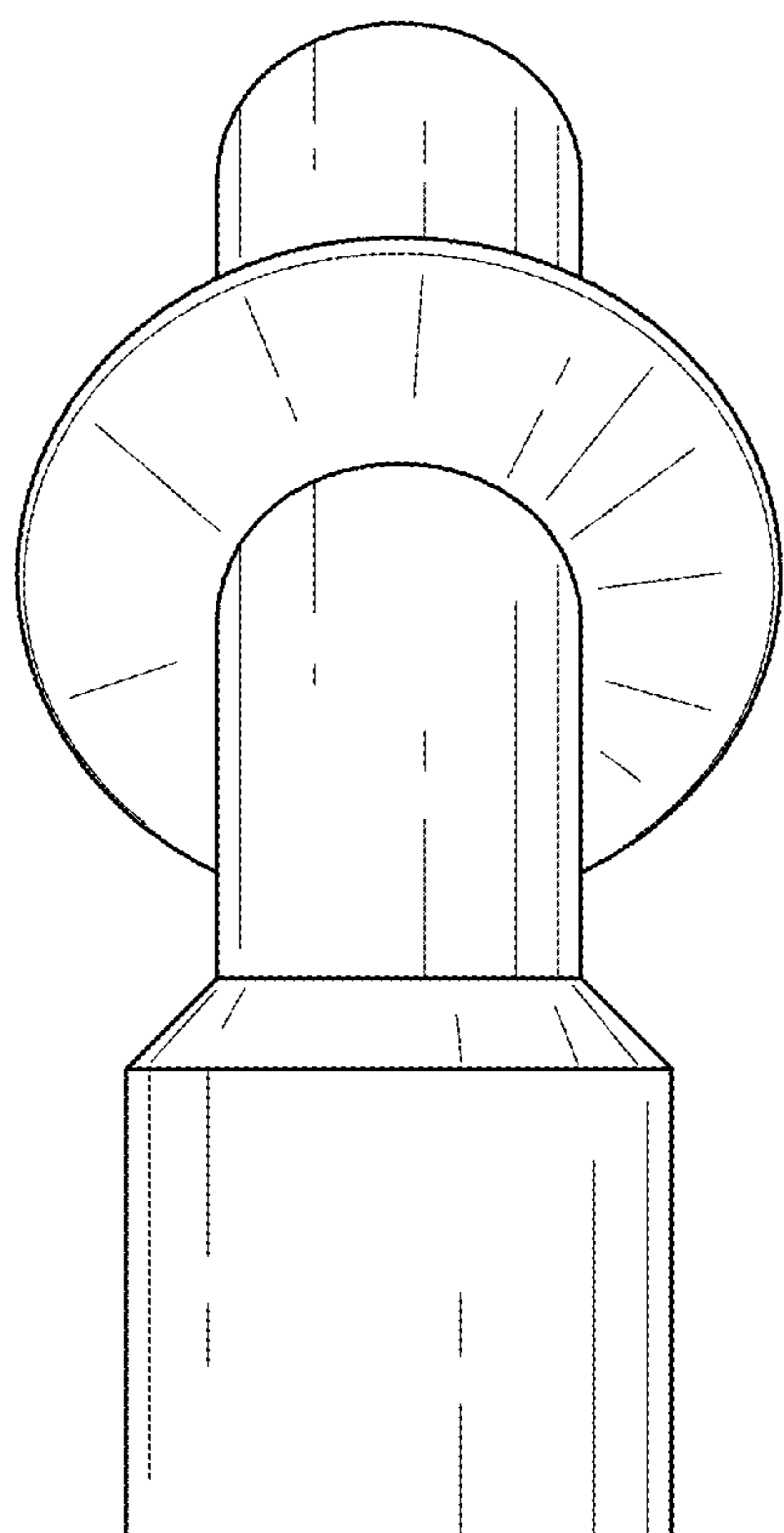


FIG. 7

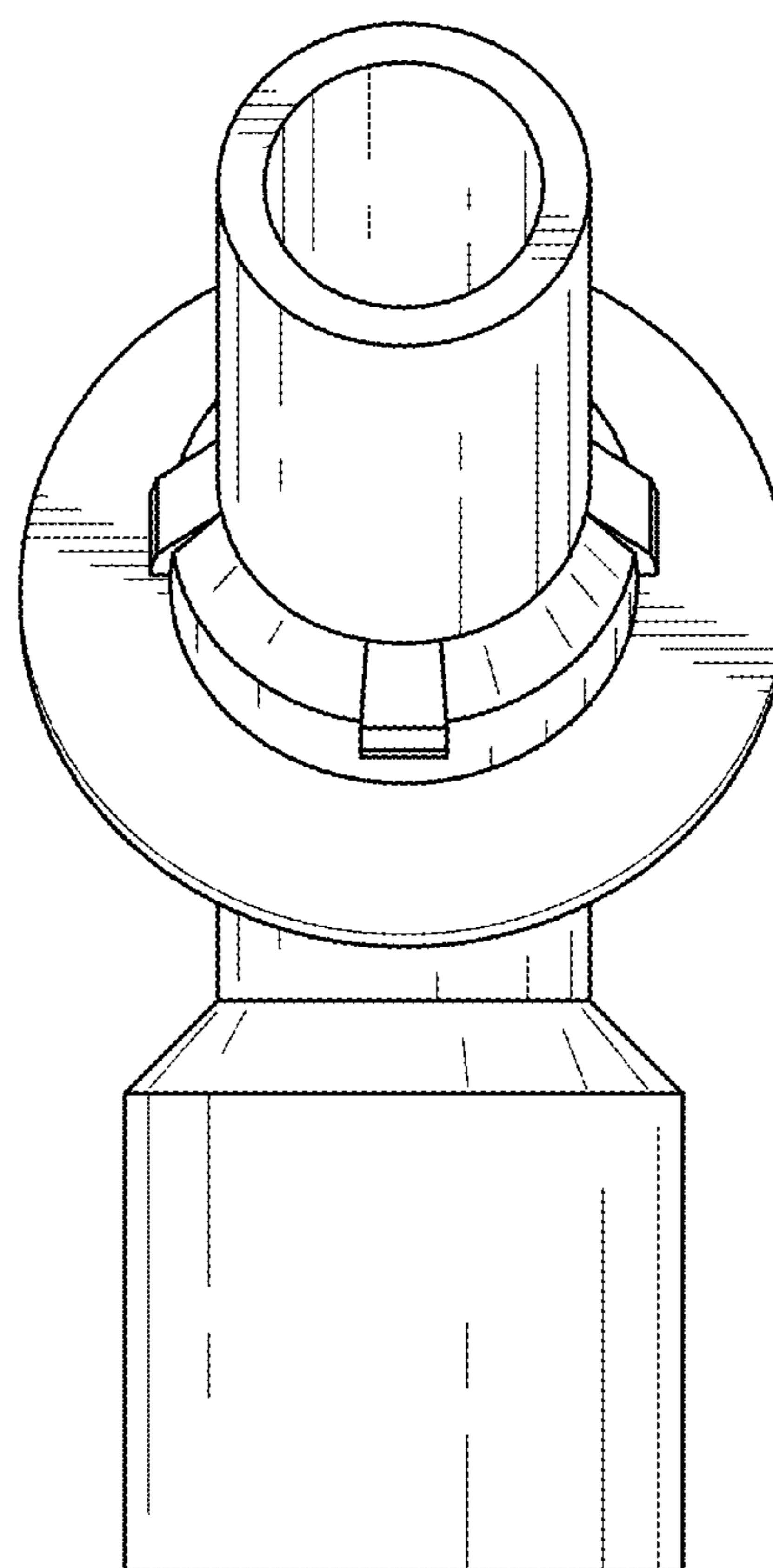


FIG. 8