



US00D783783S

(12) **United States Design Patent**
Yang

(10) **Patent No.:** **US D783,783 S**

(45) **Date of Patent:** **** Apr. 11, 2017**

(54) **SINK STOPPER**

(71) Applicant: **Li-Fen Yang**, Changhua County (TW)

(72) Inventor: **Li-Fen Yang**, Changhua County (TW)

(**) Term: **15 Years**

(21) Appl. No.: **29/562,797**

(22) Filed: **Apr. 28, 2016**

(51) **LOC (10) Cl.** **23-01**

(52) **U.S. Cl.**

USPC **D23/261**

(58) **Field of Classification Search**

USPC D23/259–261, 268; 4/287, 680–684,
4/689–693

CPC A47K 1/14; E03C 1/2306; E03C 1/2302;
E03C 1/262

See application file for complete search history.

(56) **References Cited**

U.S. PATENT DOCUMENTS

- 4,380,834 A * 4/1983 Wentz E03C 1/23
4/286
- 4,706,306 A * 11/1987 Smith E03C 1/262
4/286
- 4,932,082 A * 6/1990 Ridgeway E03C 1/23
4/287
- 5,363,518 A * 11/1994 Mowery E03C 1/23
137/375
- D357,306 S * 4/1995 Lenox D23/260
- 2009/0271919 A1* 11/2009 Scorvo E03C 1/262
4/287
- 2010/0154114 A1* 6/2010 Van Zeeland E03C 1/23
4/689

- 2011/0185494 A1* 8/2011 Beck E03C 1/23
4/689
- 2012/0199213 A1* 8/2012 Reavis E03C 1/2302
137/15.24
- 2014/0007334 A1* 1/2014 Golibart E03C 1/262
4/287
- 2014/0310862 A1* 10/2014 Joseph E03C 1/262
4/287
- 2016/0053472 A1* 2/2016 Rosko E03C 1/2302
4/287
- 2016/0251839 A1* 9/2016 Ali E03C 1/2302
4/287

* cited by examiner

Primary Examiner — Eric Goodman

Assistant Examiner — Amy Wierenga

(74) *Attorney, Agent, or Firm* — Rosenberg, Klein & Lee

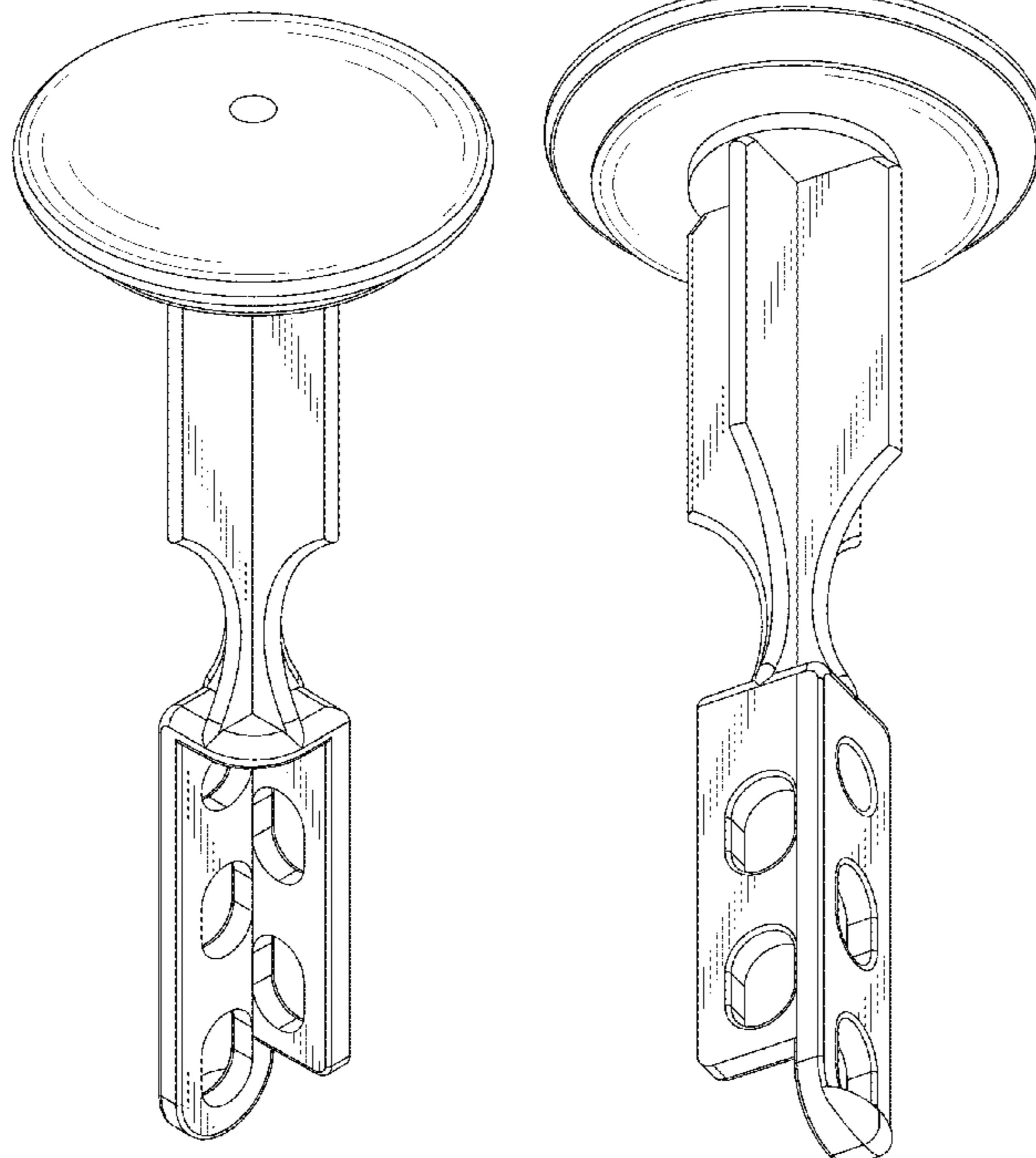
(57) **CLAIM**

The ornamental design for a sink stopper, as shown and described.

DESCRIPTION

FIG. 1 is a front-right-top perspective view of the sink stopper showing my new design;
 FIG. 2 is a front elevational view thereof;
 FIG. 3 is a rear elevational view thereof;
 FIG. 4 is a left side elevational view thereof;
 FIG. 5 is a right side elevational view thereof;
 FIG. 6 is a top plan view thereof;
 FIG. 7 is a bottom plan view thereof; and,
 FIG. 8 is a rear-left-bottom perspective view thereof.

1 Claim, 7 Drawing Sheets



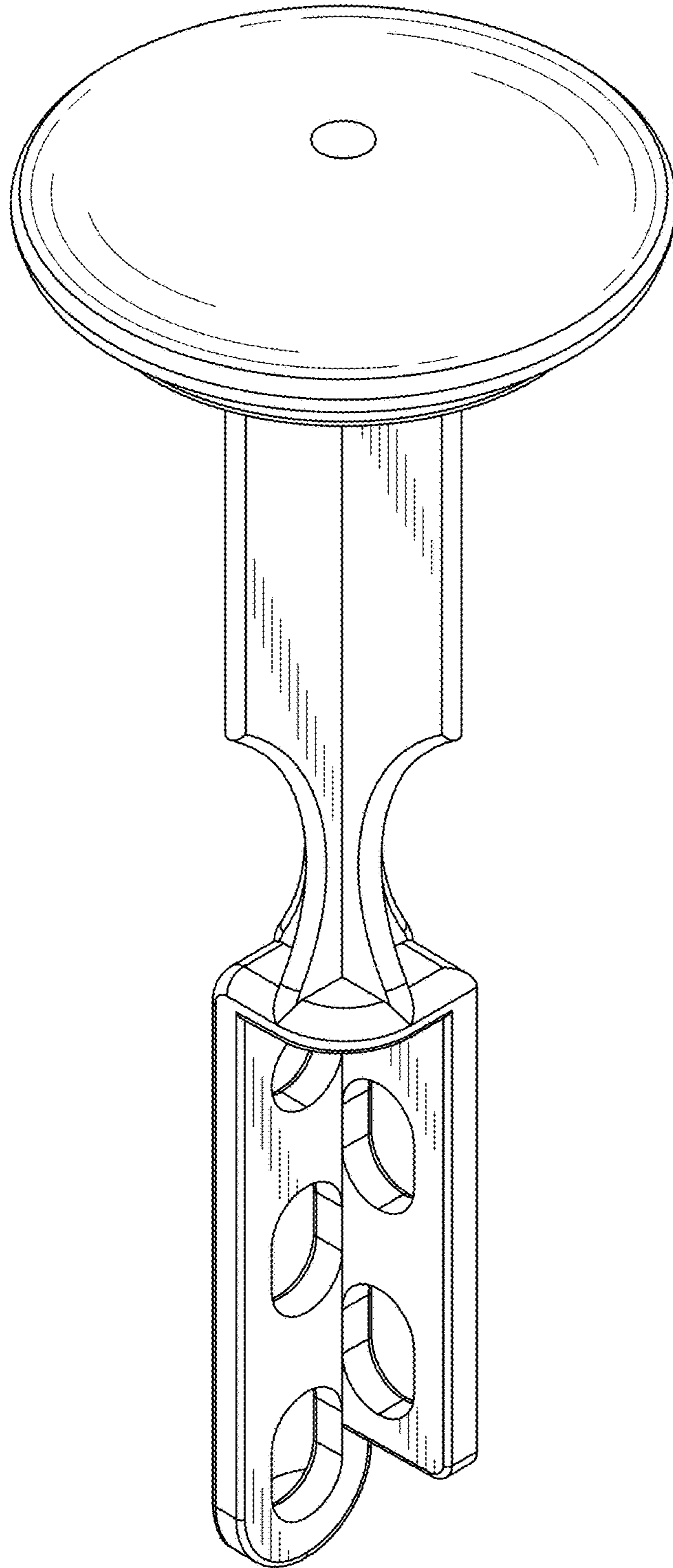


FIG.1

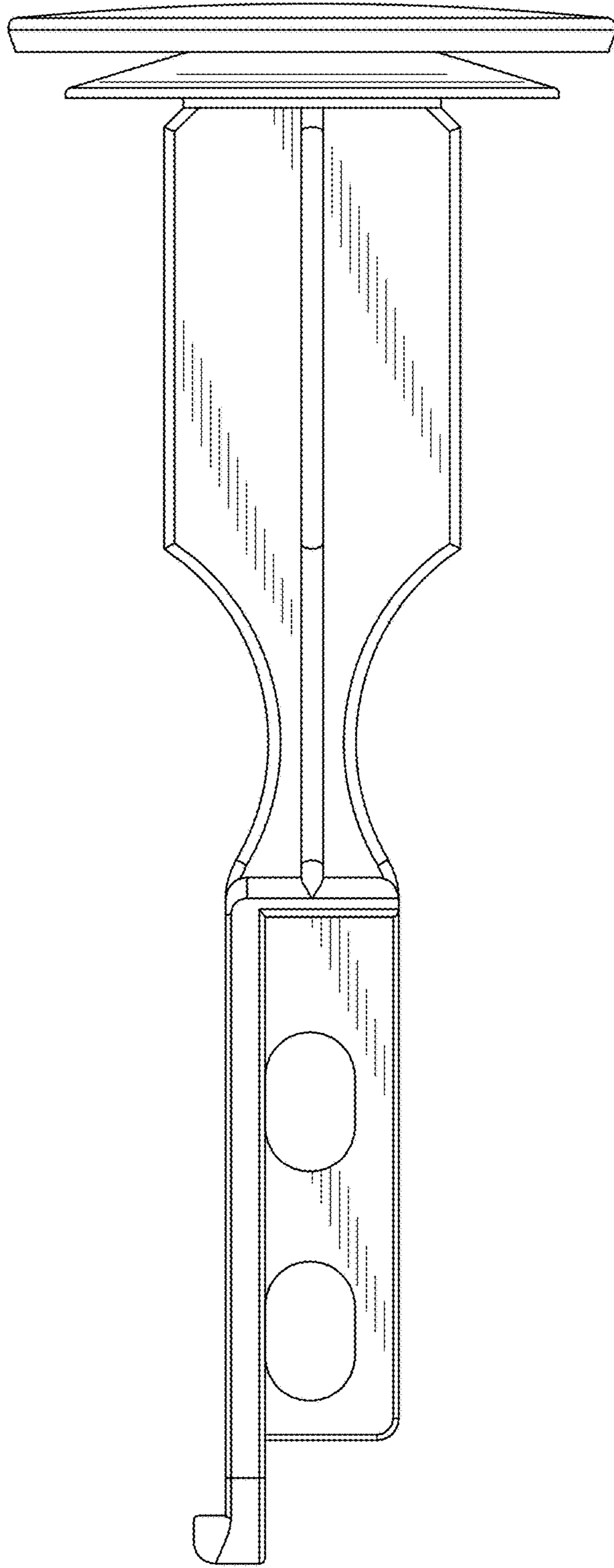


FIG.2

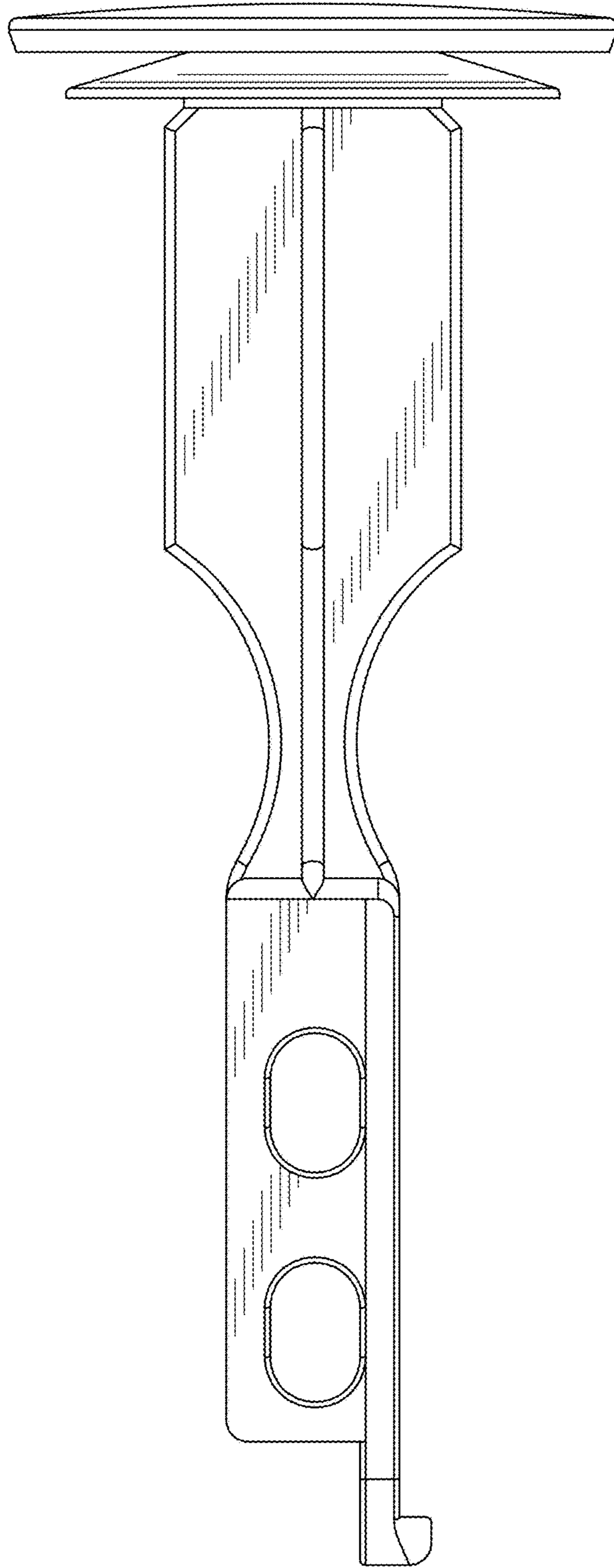


FIG.3

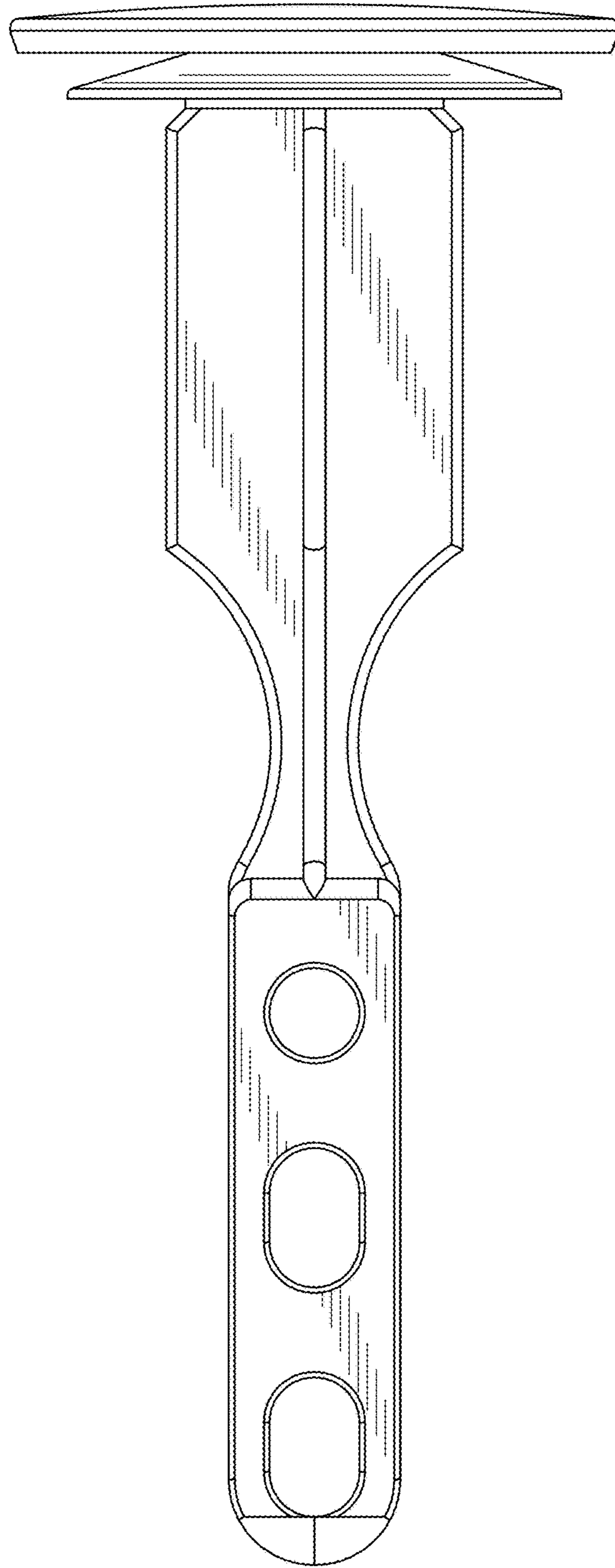


FIG.4

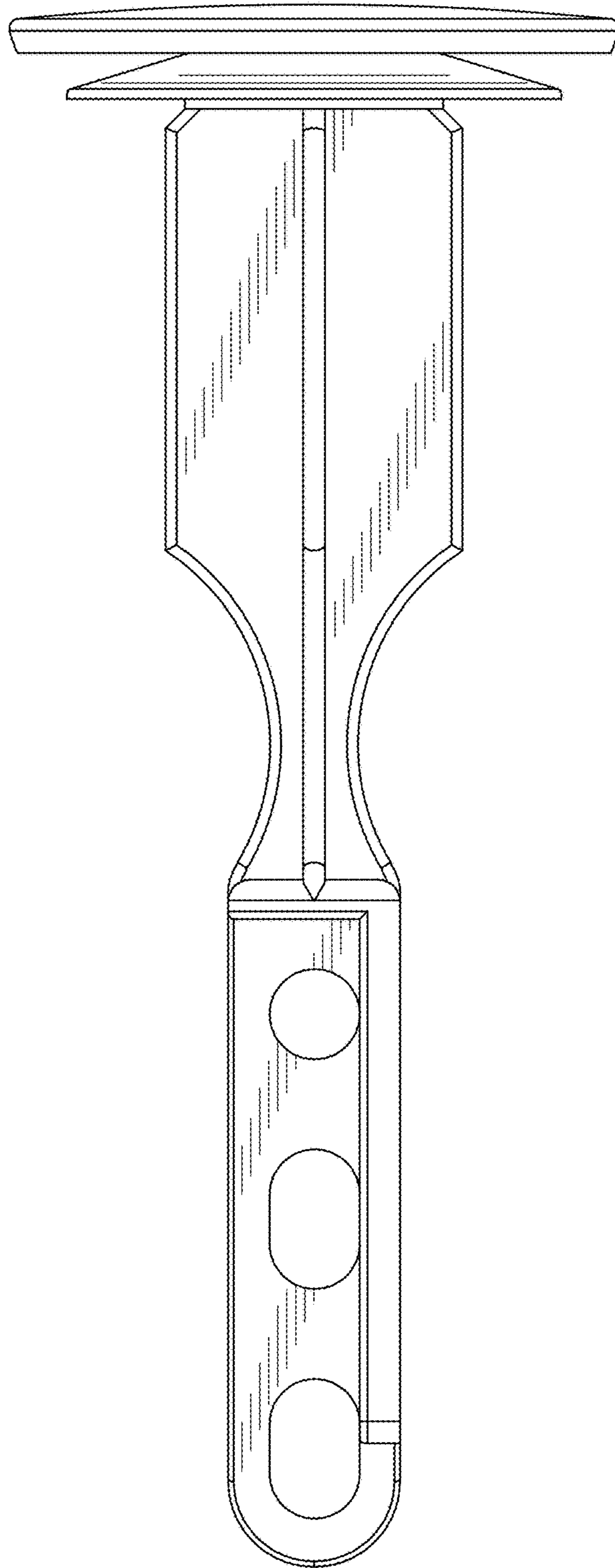


FIG.5

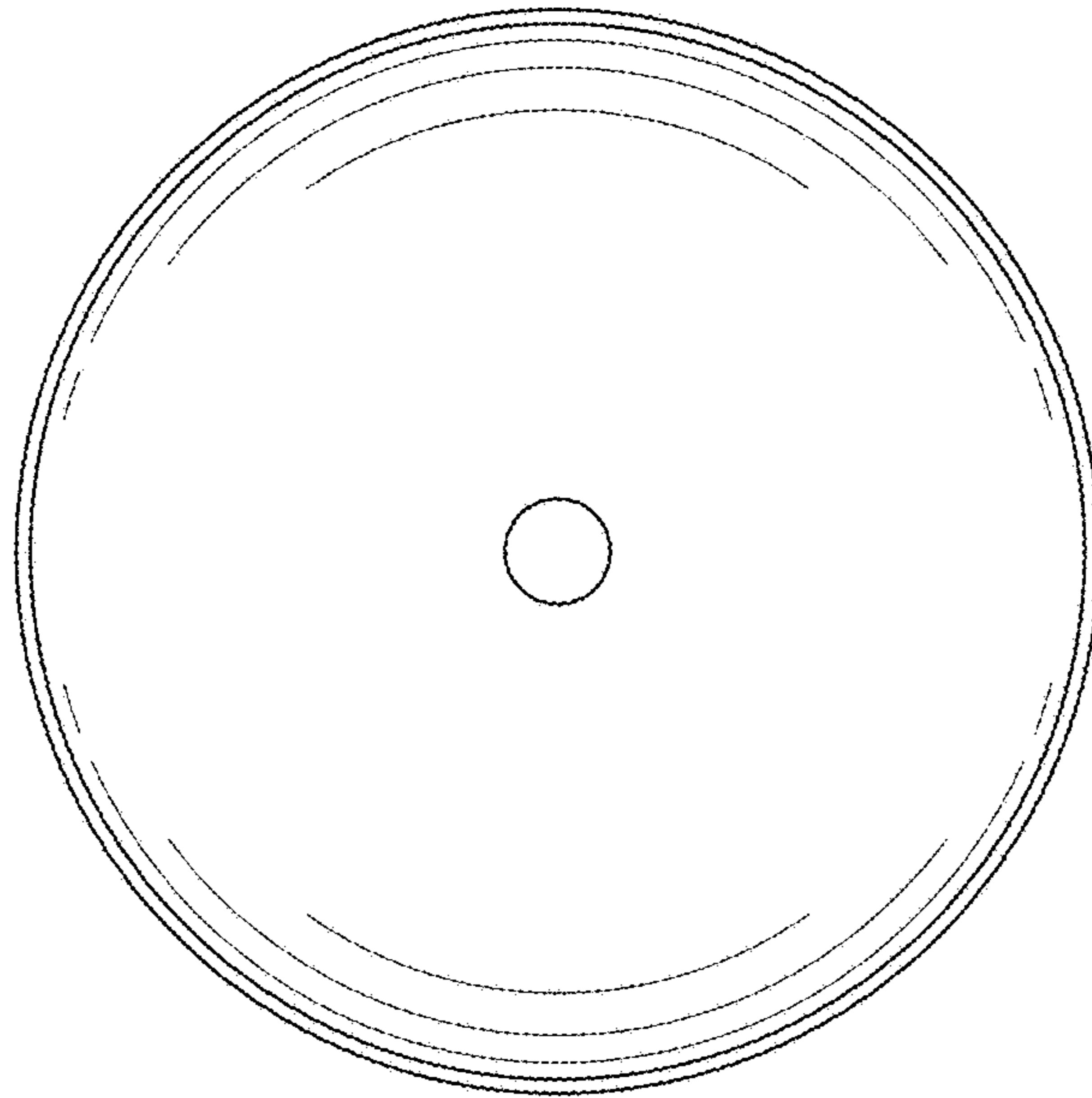


FIG. 6

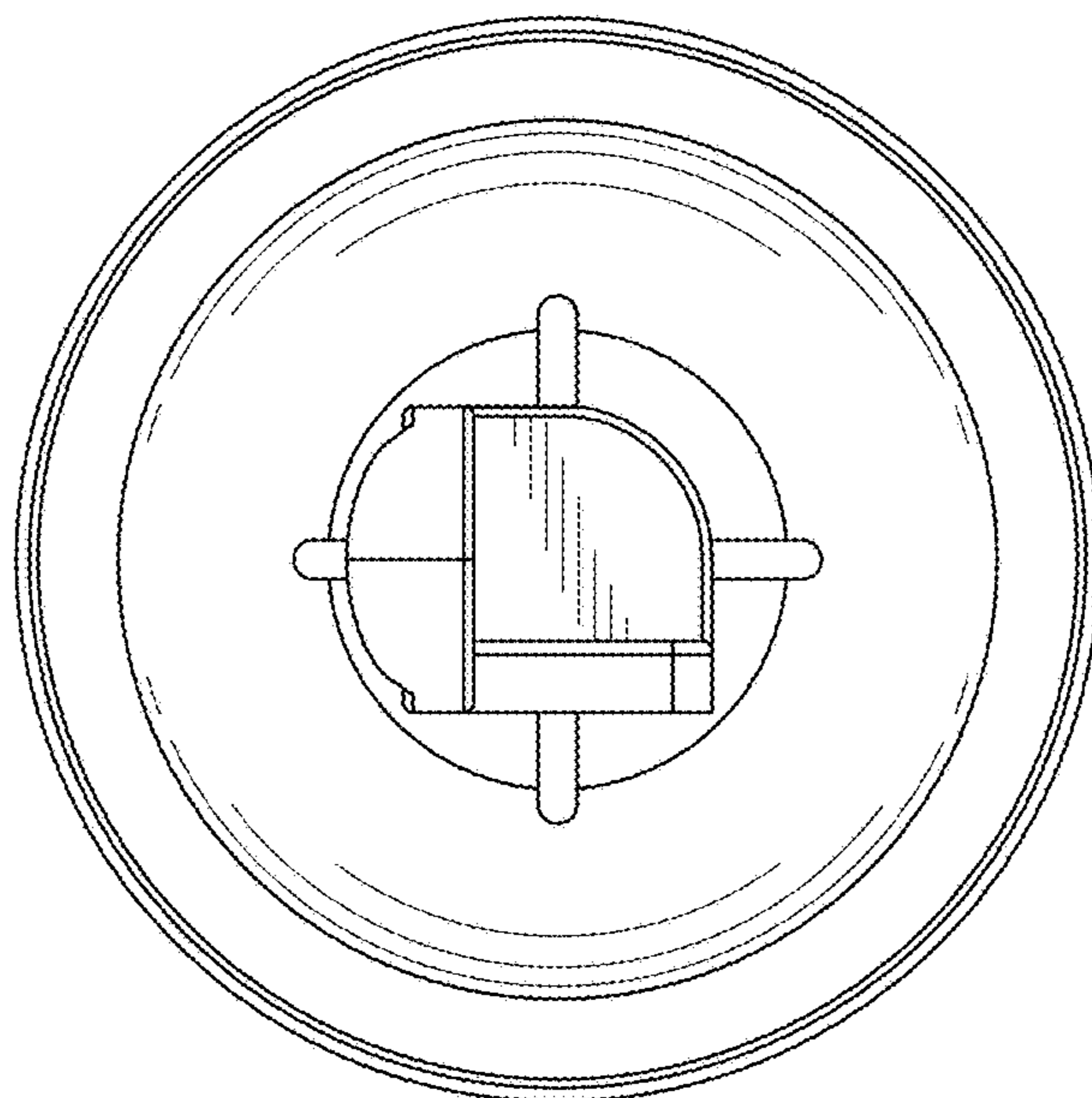


FIG. 7

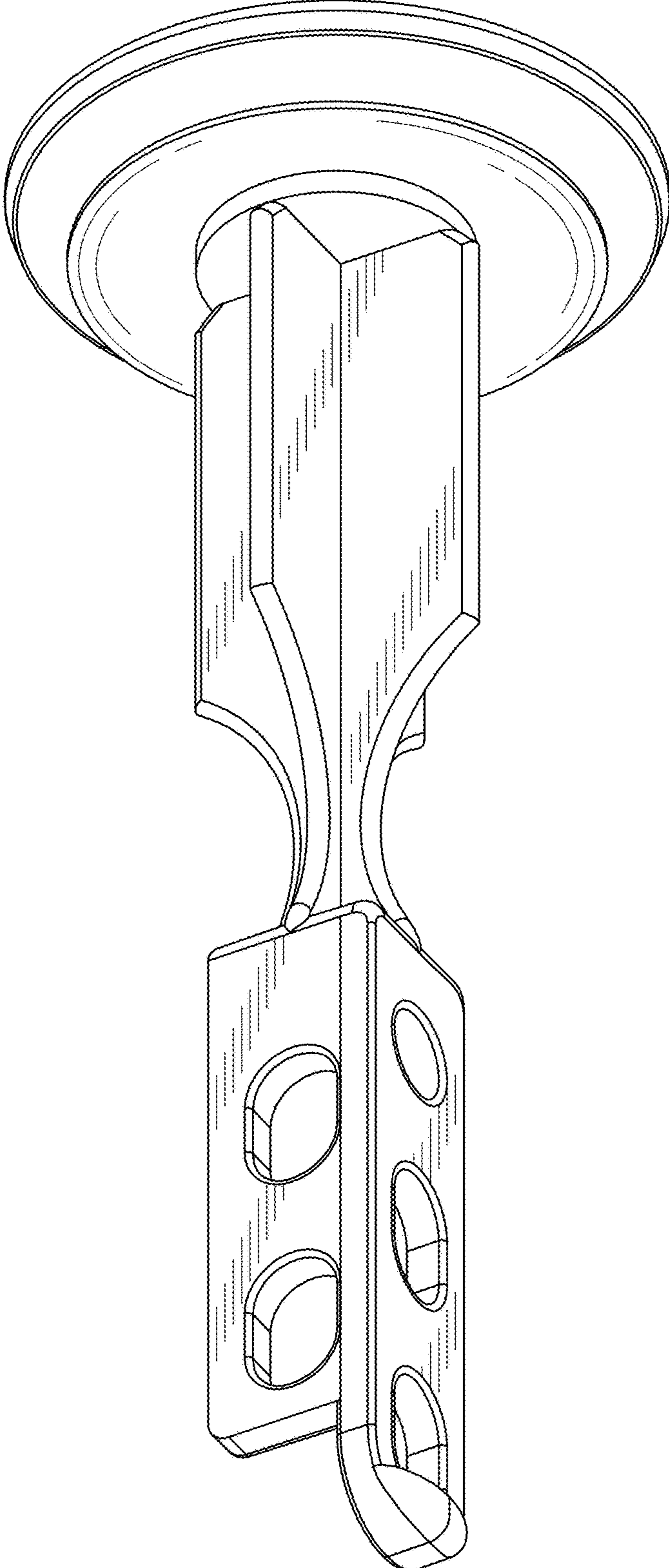


FIG.8