



US00D783782S

(12) **United States Design Patent**
Scott et al.

(10) **Patent No.: US D783,782 S**
(45) **Date of Patent: ** Apr. 11, 2017**

(54) **SINK STRAINER AND STOPPER**

(71) Applicant: **POLDER HOUSEWARES, INC.**,
Oxford, CT (US)

(72) Inventors: **George Calvin Scott**, New Fairfield,
CT (US); **Roberto Pedros**, Oxford, CT
(US); **Kerry Cooper**, Pleasantville, NY
(US)

(73) Assignee: **Polder Products, LLC**, Oxford, CT
(US)

(**) Term: **15 Years**

(21) Appl. No.: **29/537,843**

(22) Filed: **Aug. 28, 2015**

(51) **LOC (10) Cl.** **23-01**

(52) **U.S. Cl.**
USPC **D23/261**

(58) **Field of Classification Search**
USPC D23/208–209, 259–262, 266, 268; 4/287,
4/290, 292
CPC ... E03C 1/23; E03C 1/26; E03C 1/262; A47K
1/14
See application file for complete search history.

(56) **References Cited**

U.S. PATENT DOCUMENTS

D461,233 S *	8/2002	Whalen	D23/261
D517,664 S *	3/2006	Hill	D23/261
D553,225 S *	10/2007	Wolf	D23/261
D670,362 S *	11/2012	Eylon	D23/261
D673,246 S *	12/2012	Lee	D23/260
D686,707 S *	7/2013	Ychie	D23/261
D720,838 S *	1/2015	Yamagishi	D23/261
D728,077 S *	4/2015	Luo	D23/260
D728,078 S *	4/2015	Scott	D23/261

D730,731 S *	6/2015	Bewley, Jr.	D9/447
2014/0053327 A1 *	2/2014	Lee	E03C 1/262 4/287
2014/0053328 A1 *	2/2014	Chen	E03C 1/262 4/287

(Continued)

Primary Examiner — Eric Goodman

Assistant Examiner — Amy Wierenga

(74) *Attorney, Agent, or Firm* — Duane Morris LLP

(57) **CLAIM**

The ornamental design for a sink strainer and stopper, as shown and described.

DESCRIPTION

FIG. 1 is a top isometric view of the sink strainer and stopper in an open state;

FIG. 2 is a bottom isometric view of the sink strainer and stopper in an open state;

FIG. 3 is a front elevation view of the sink strainer and stopper in the open state;

FIG. 4 is a rear elevation view of the sink strainer and stopper in the open state;

FIG. 5 is a side elevation view of the sink strainer and stopper in the open state;

FIG. 6 is a side elevation view of the sink strainer and stopper opposite the view in FIG. 5 in the open state;

FIG. 7 is a top side view of the sink strainer and stopper in the open state;

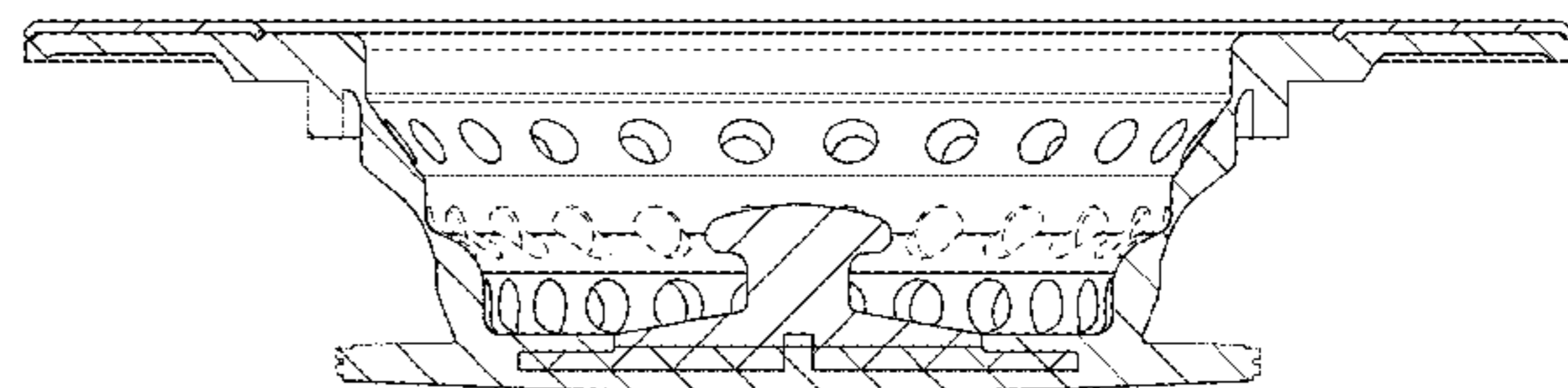
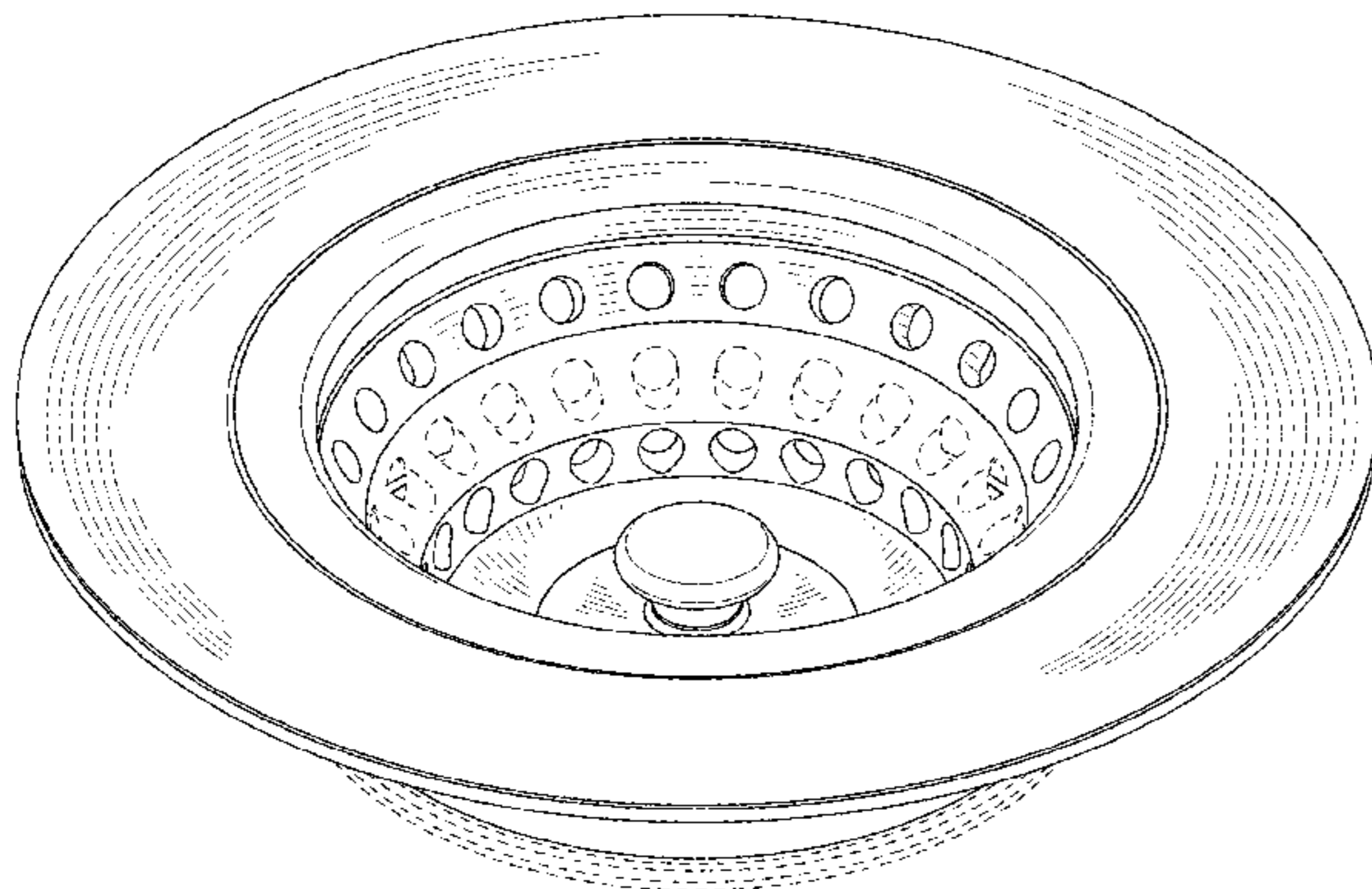
FIG. 8 is a bottom side view of the sink strainer and stopper in the open state;

FIG. 9 is a cross-sectional view of the sink strainer and stopper in the open state taken along line FIG. 9-FIG. 9 in FIG. 3; and,

FIG. 10 is a front side view of the sink strainer and stopper in a closed state.

The broken lines in the drawings represent portions of the sink strainer and stopper that form no part of the claim.

1 Claim, 6 Drawing Sheets



(56)

References Cited

U.S. PATENT DOCUMENTS

2016/0215485 A1* 7/2016 Scott A47K 1/14

* cited by examiner

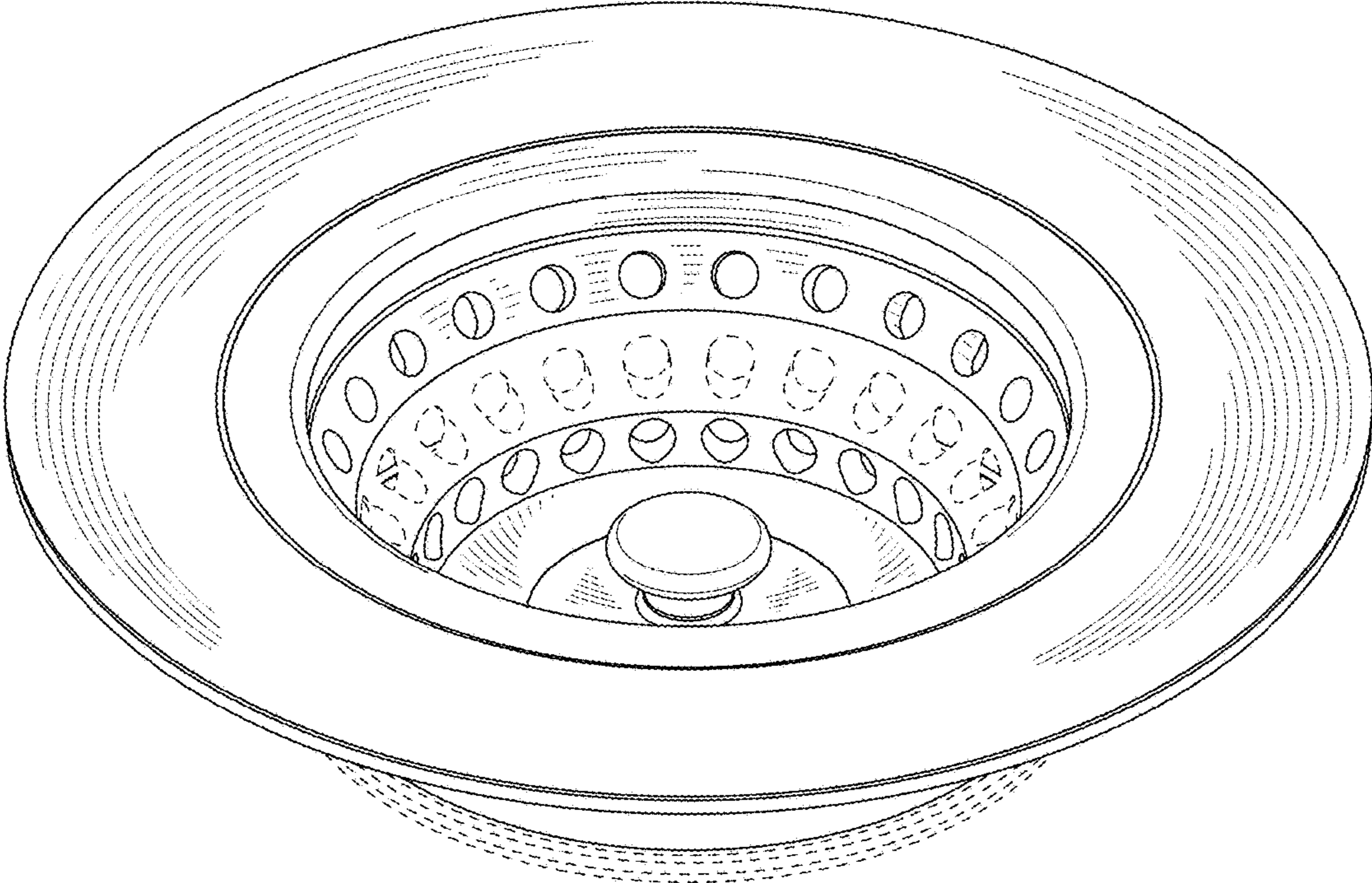


FIG. 1

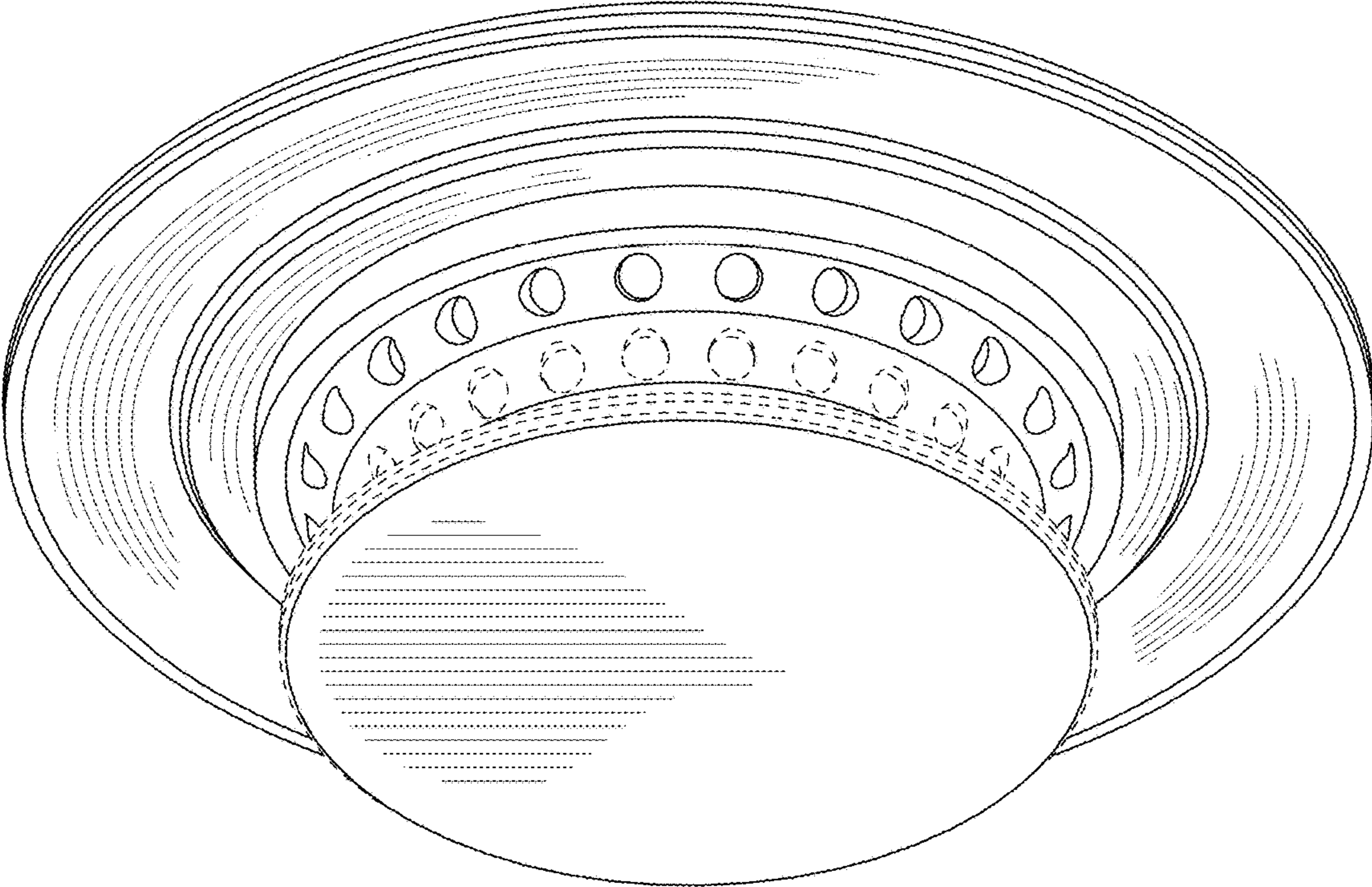


FIG. 2

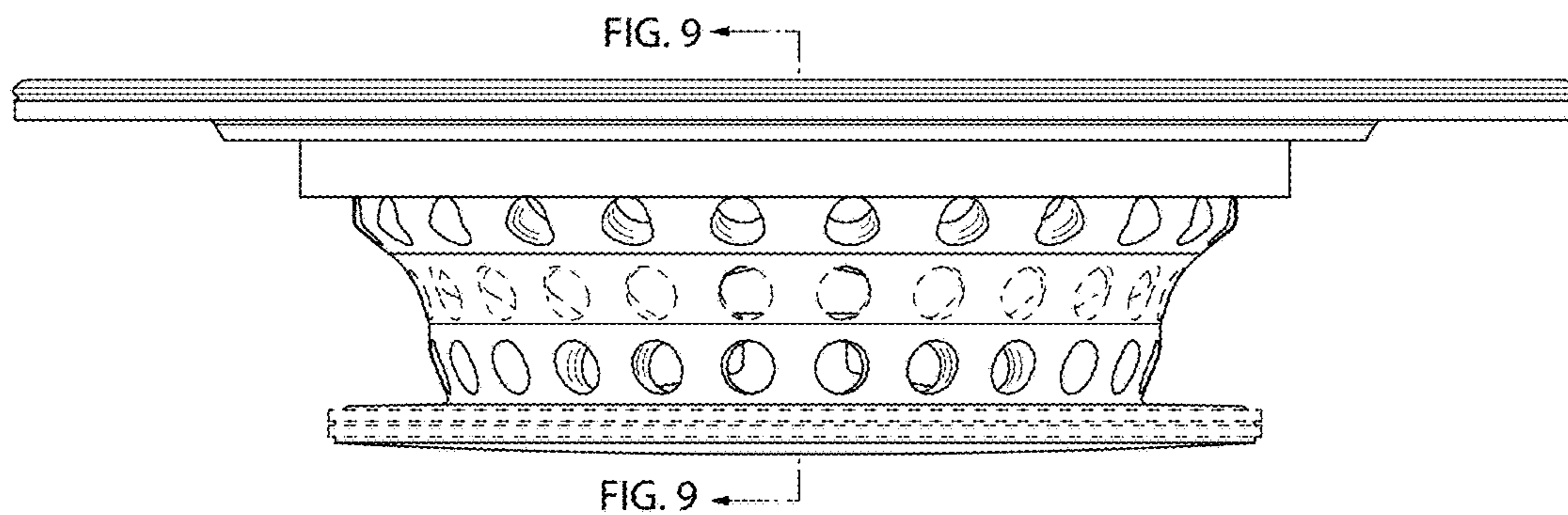


FIG. 3

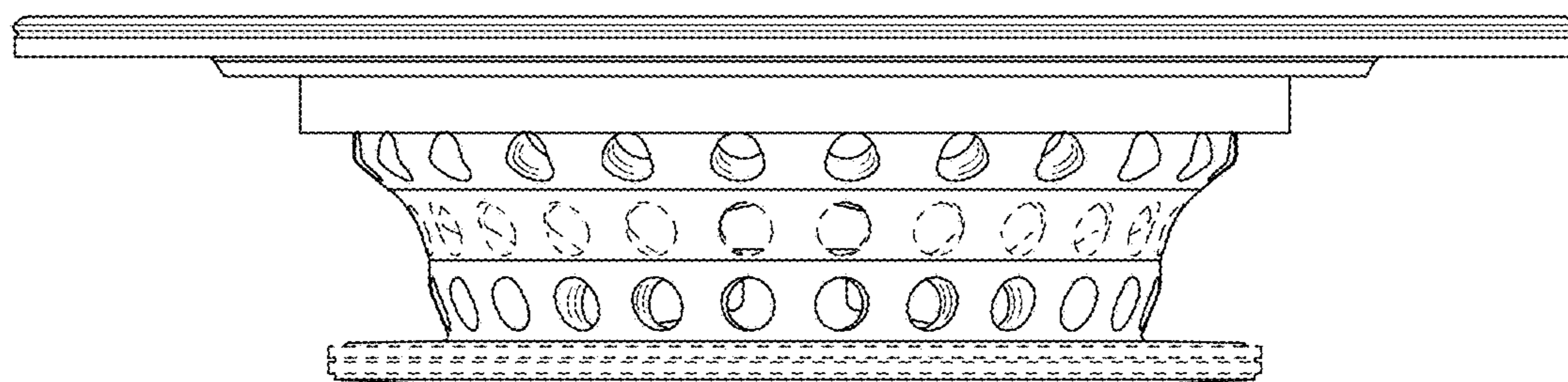


FIG. 4

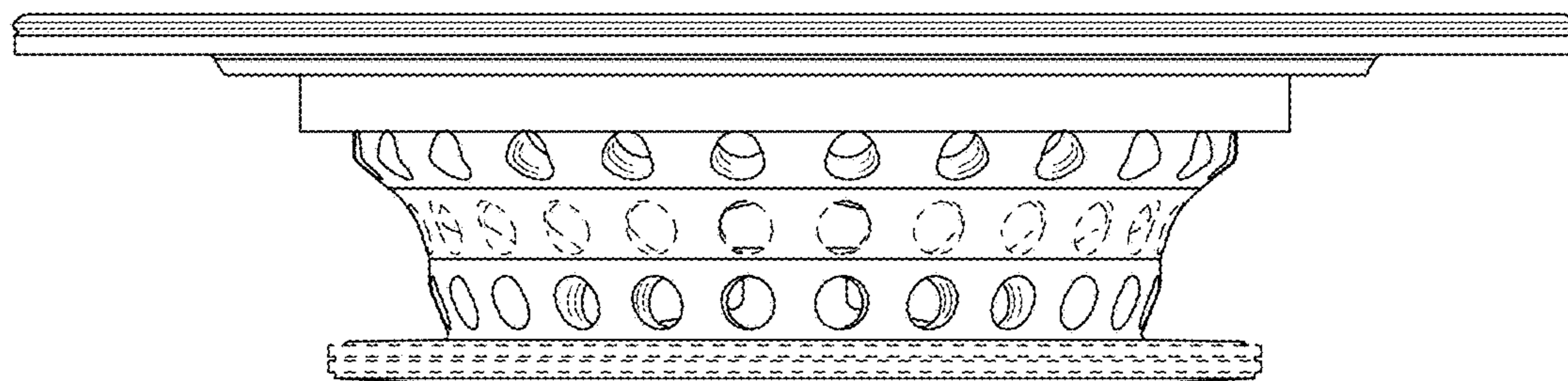


FIG. 5

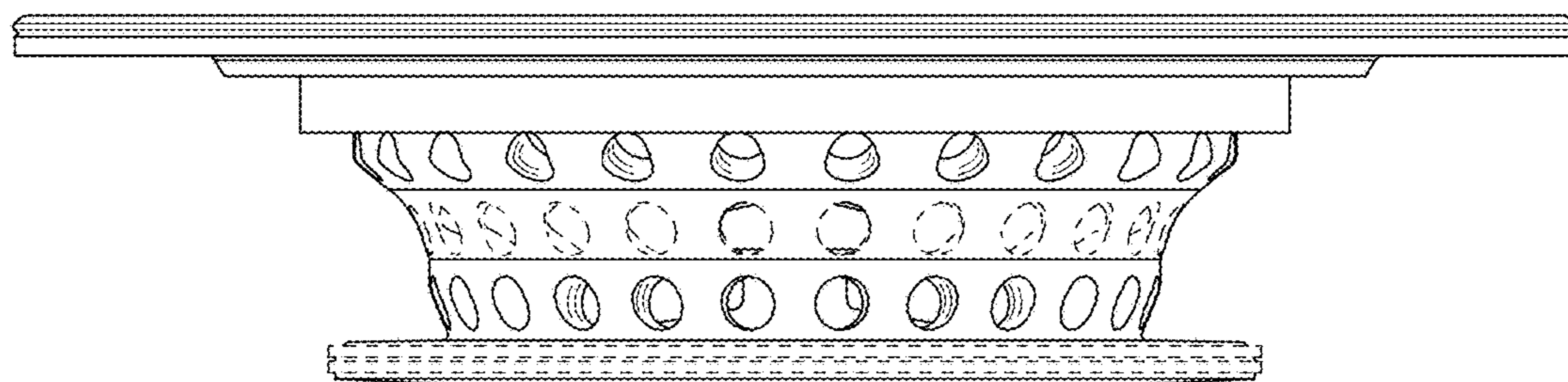


FIG. 6

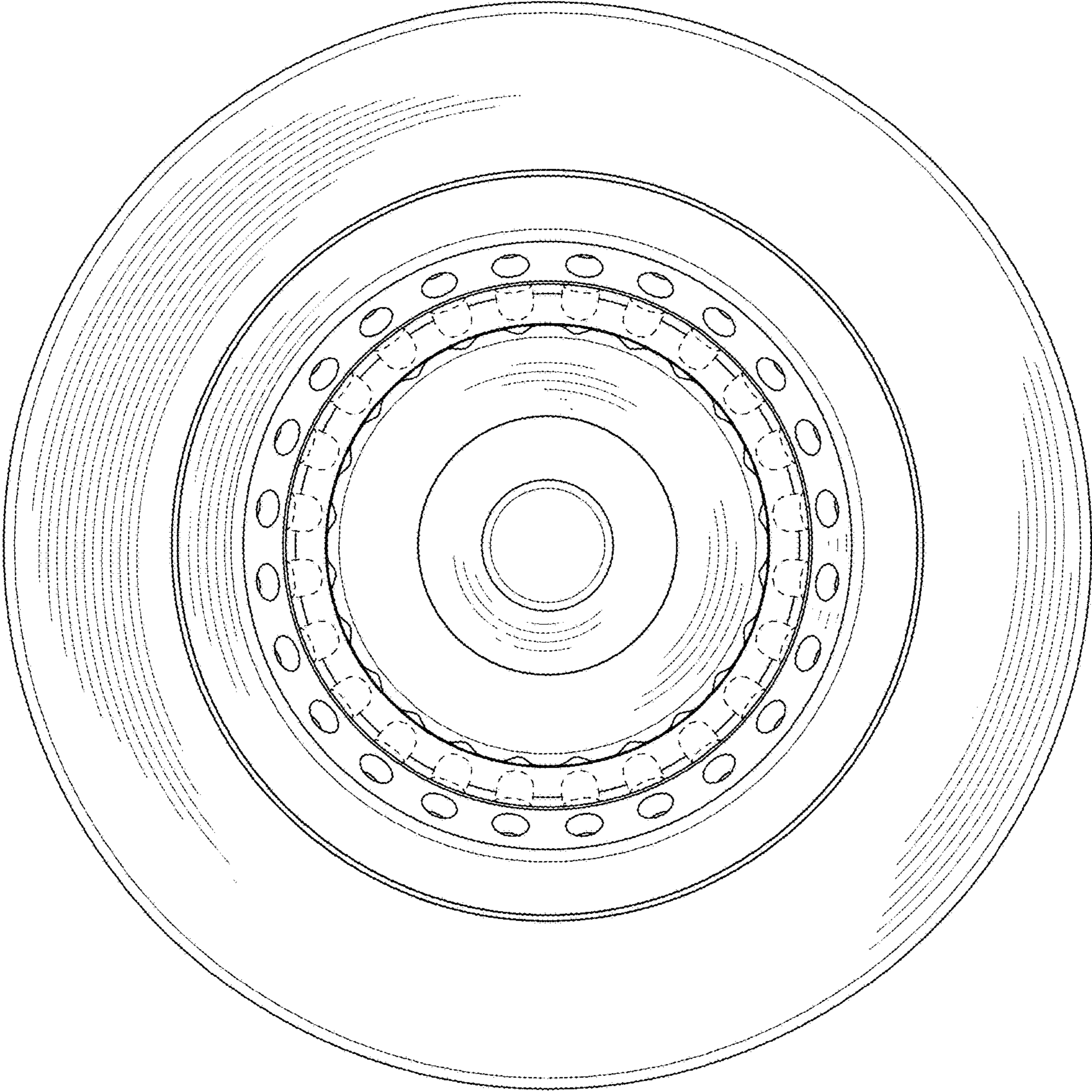


FIG. 7

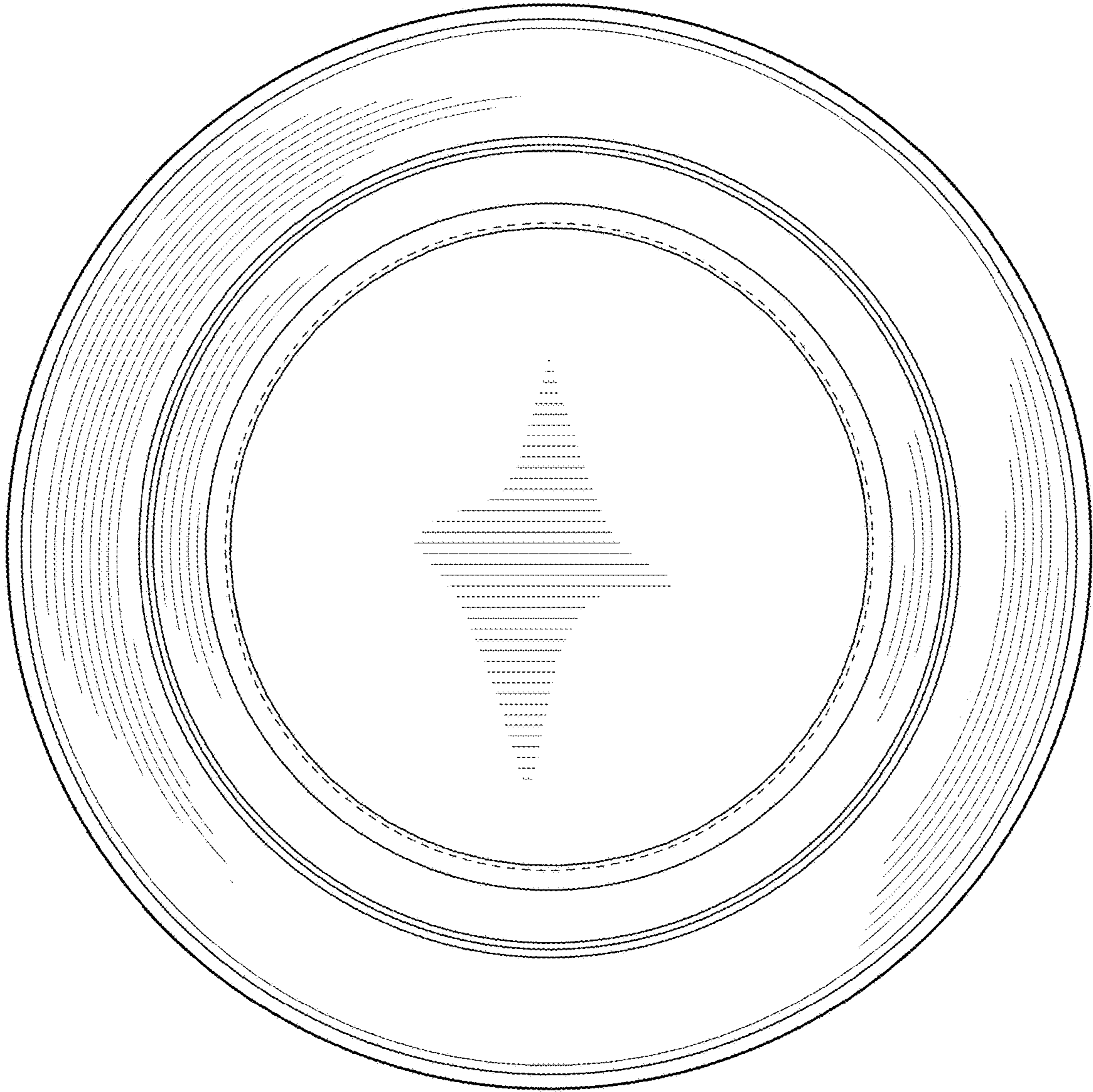


FIG. 8

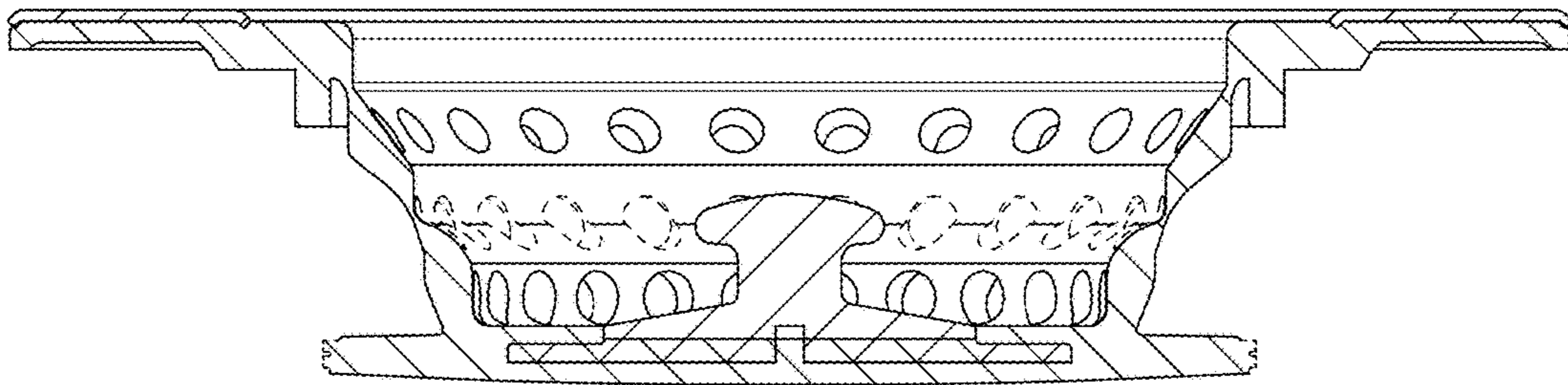


FIG. 9

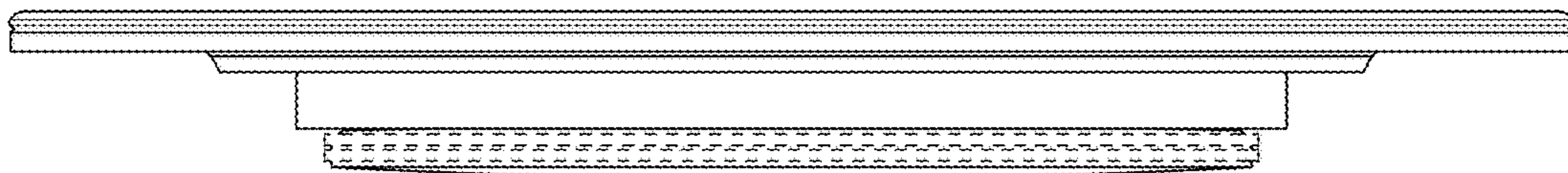


FIG. 10