



US00D783781S

(12) **United States Design Patent**
Bates-Hurtado

(10) **Patent No.:** **US D783,781 S**

(45) **Date of Patent:** **** Apr. 11, 2017**

(54) **90 DEGREE NOZZLE FOR A DRAIN HOSE**

(71) Applicant: **CRISER, S.A. DE C.V.**, Guadalupe (MX)

(72) Inventor: **Francisco Bates-Hurtado**, Guadalupe (MX)

(73) Assignee: **CRISER, S.A. DE C.V.**, Guadalupe, Nuevo Leon (MX)

(**) Term: **15 Years**

(21) Appl. No.: **29/531,844**

(22) Filed: **Jun. 30, 2015**

(30) **Foreign Application Priority Data**

Jan. 30, 2015 (MX) MX/f/2015/000330

(51) **LOC (10) Cl.** **23-01**

(52) **U.S. Cl.**
USPC **D23/259**

(58) **Field of Classification Search**
USPC D23/213, 259, 262, 266; D7/397-398; D24/129

CPC F16L 15/06; F16L 43/001; F16L 37/18; F16L 37/20; F16L 37/091; B67B 7/26

See application file for complete search history.

(56) **References Cited**

U.S. PATENT DOCUMENTS

D275,314 S * 8/1984 Cornell 285/140.1
D286,005 S * 10/1986 Rutter D23/259

D300,512 S * 4/1989 Ahlberg D9/446
D304,489 S * 11/1989 Hengesbach D23/245
D410,284 S * 5/1999 Piontek D24/129
D439,636 S * 3/2001 Hamilton D23/213
D513,782 S * 1/2006 Lovett D23/213
D516,678 S * 3/2006 Tripp D23/245
D598,985 S * 8/2009 Smith D23/259
D686,306 S * 7/2013 Grether D23/264
D705,402 S * 5/2014 Yu D23/262

* cited by examiner

Primary Examiner — Eric Goodman

Assistant Examiner — Amy Wierenga

(74) *Attorney, Agent, or Firm* — Shlesinger, Arkwright & Garvey LLP

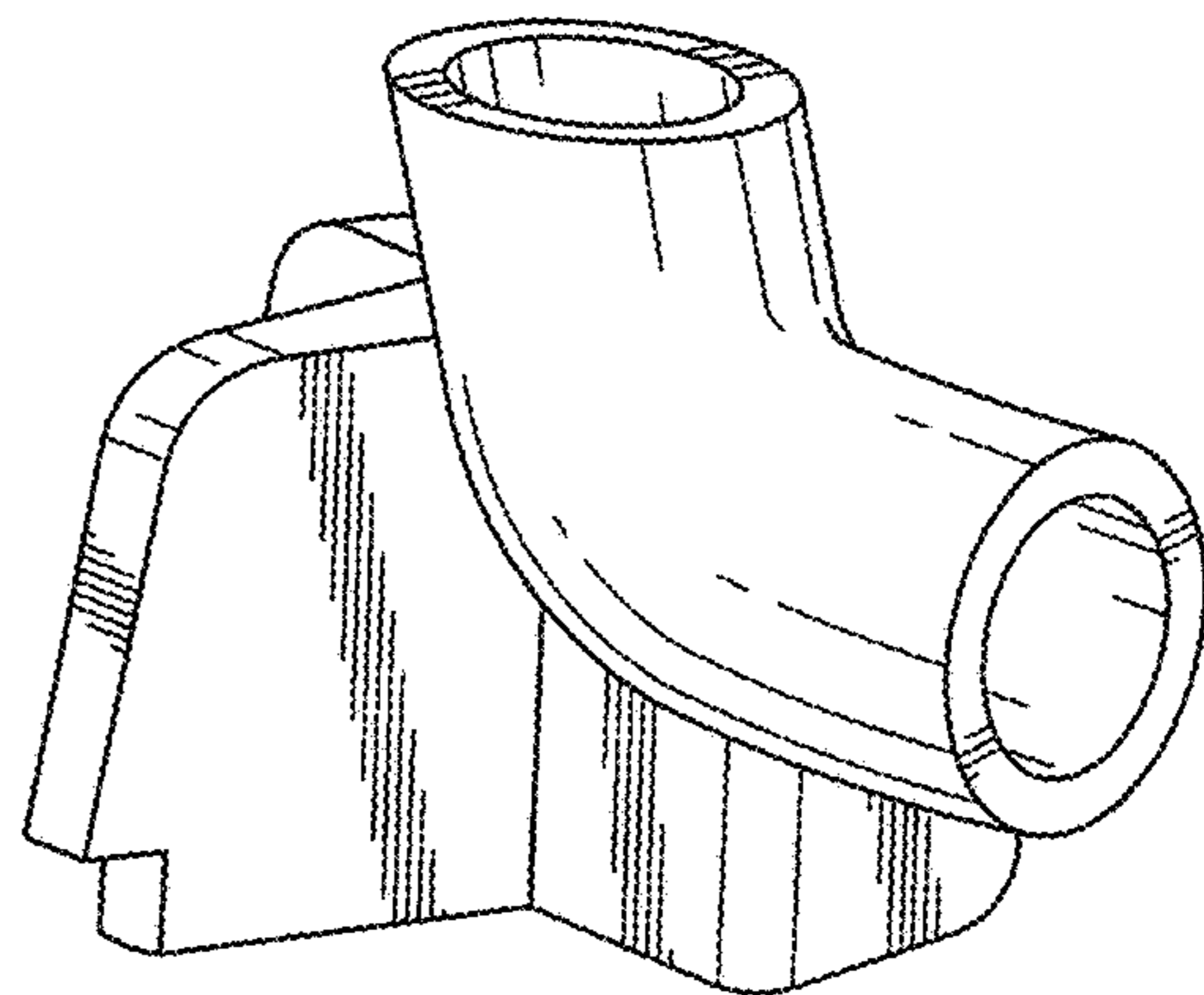
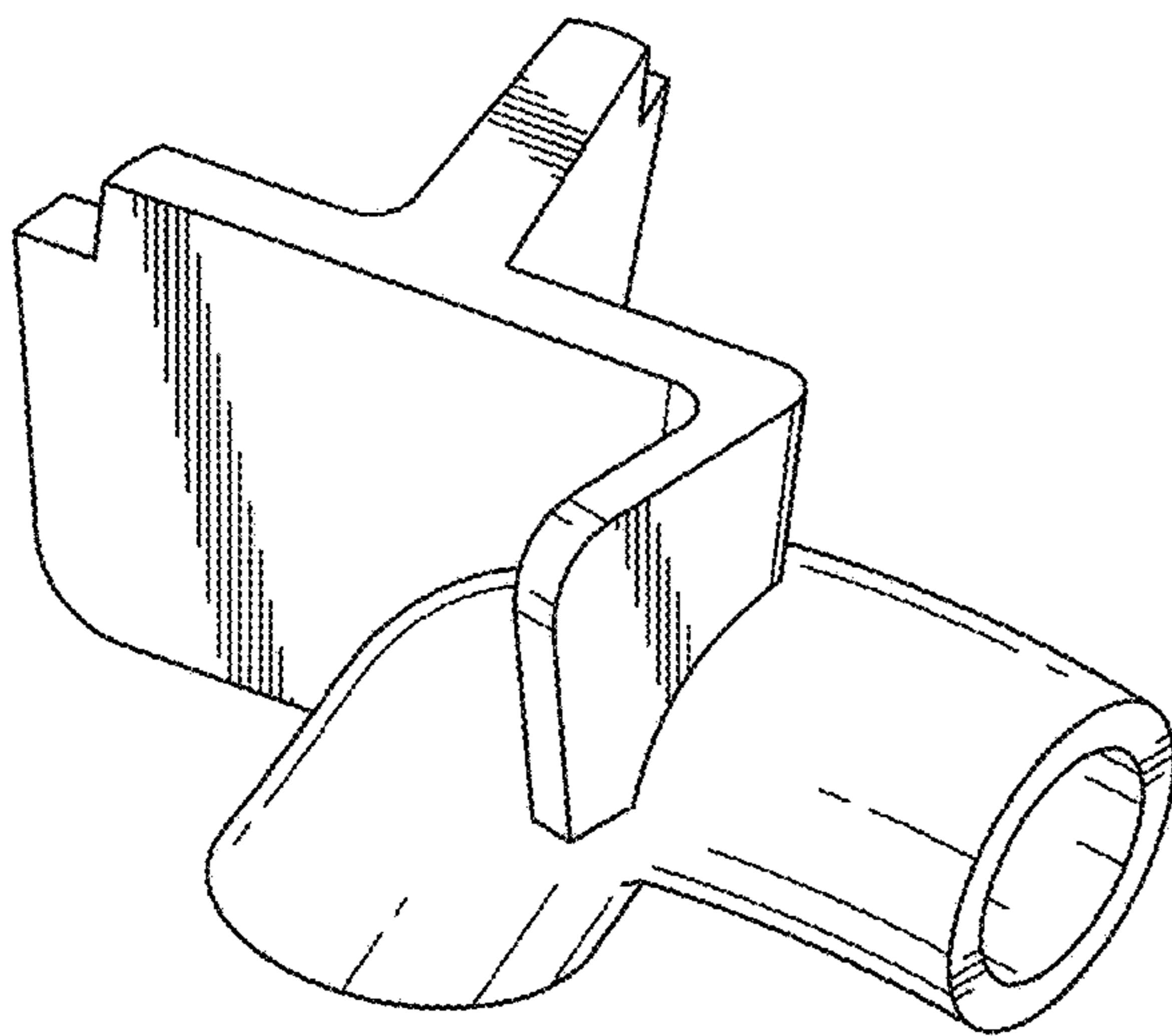
(57) **CLAIM**

The ornamental design for a 90 degree nozzle for a drain hose, as shown and described.

DESCRIPTION

FIG. 1 is a front perspective of a 90 degree nozzle for a drain hose embodying my new design;
FIG. 2 is a rear perspective thereof;
FIG. 3 is a front elevational view thereof;
FIG. 4 is a rear elevational view thereof;
FIG. 5 is a top plan view thereof;
FIG. 6 is a bottom plan view thereof;
FIG. 7 is a right side elevational view thereof; and,
FIG. 8 is left side elevational view thereof.

1 Claim, 3 Drawing Sheets



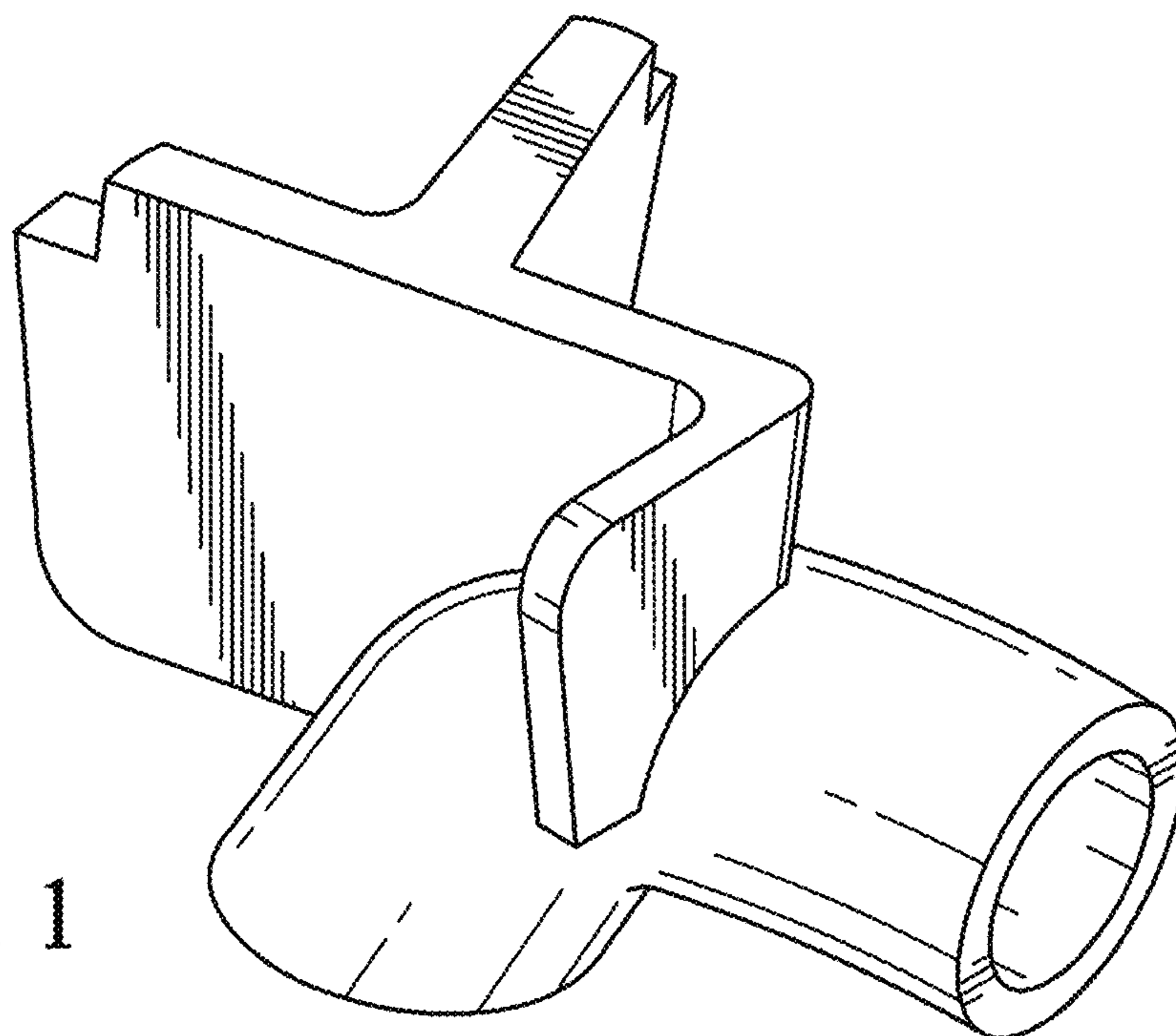


FIG. 1

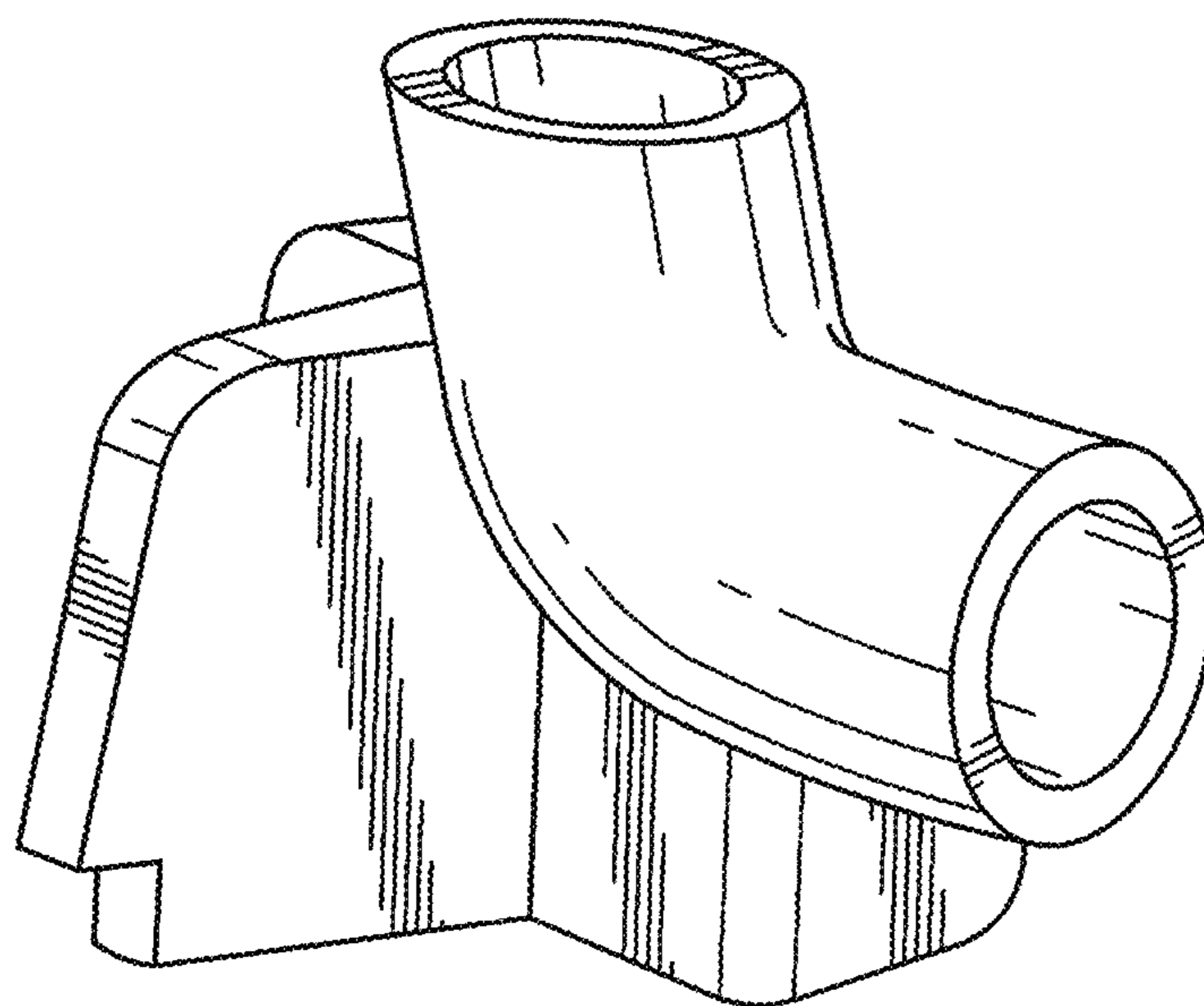


FIG. 2

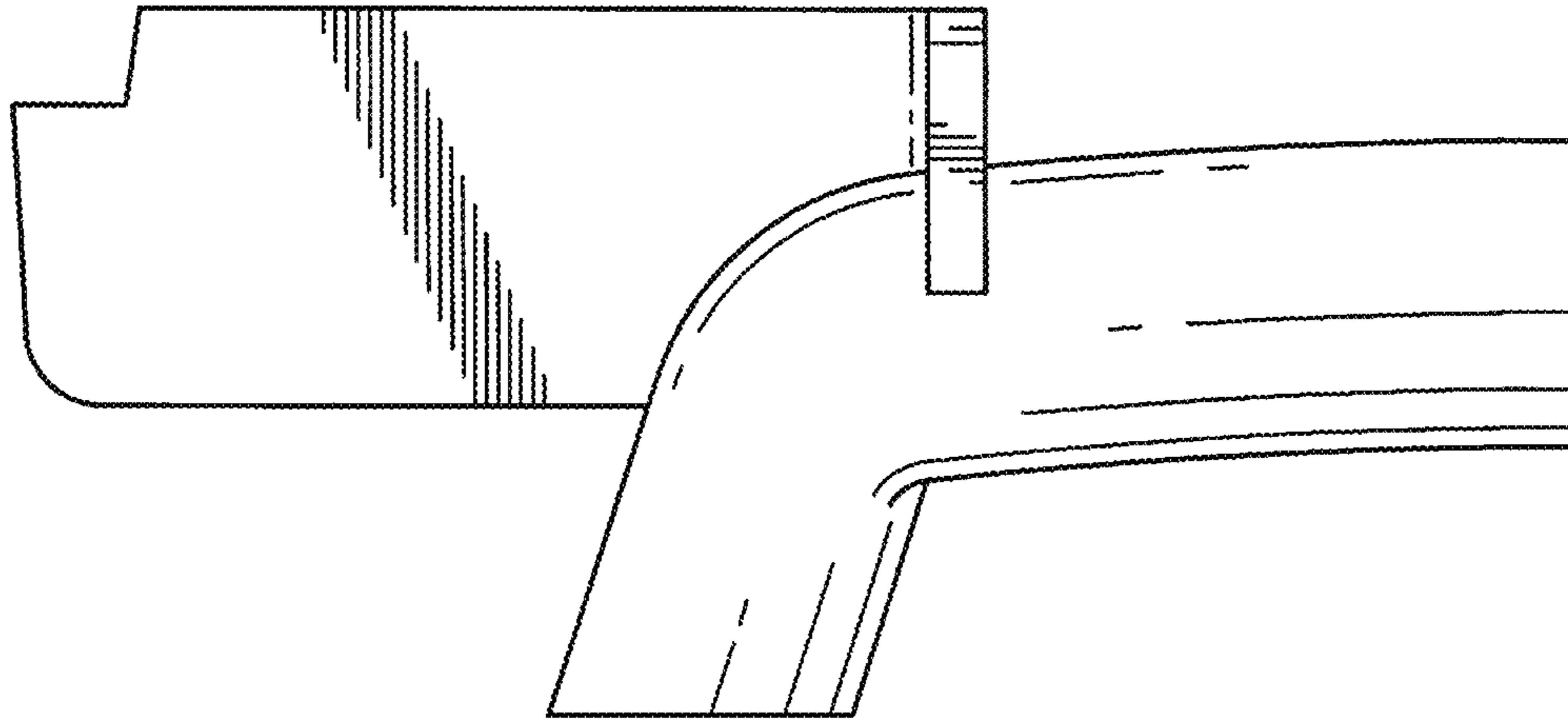


FIG. 3

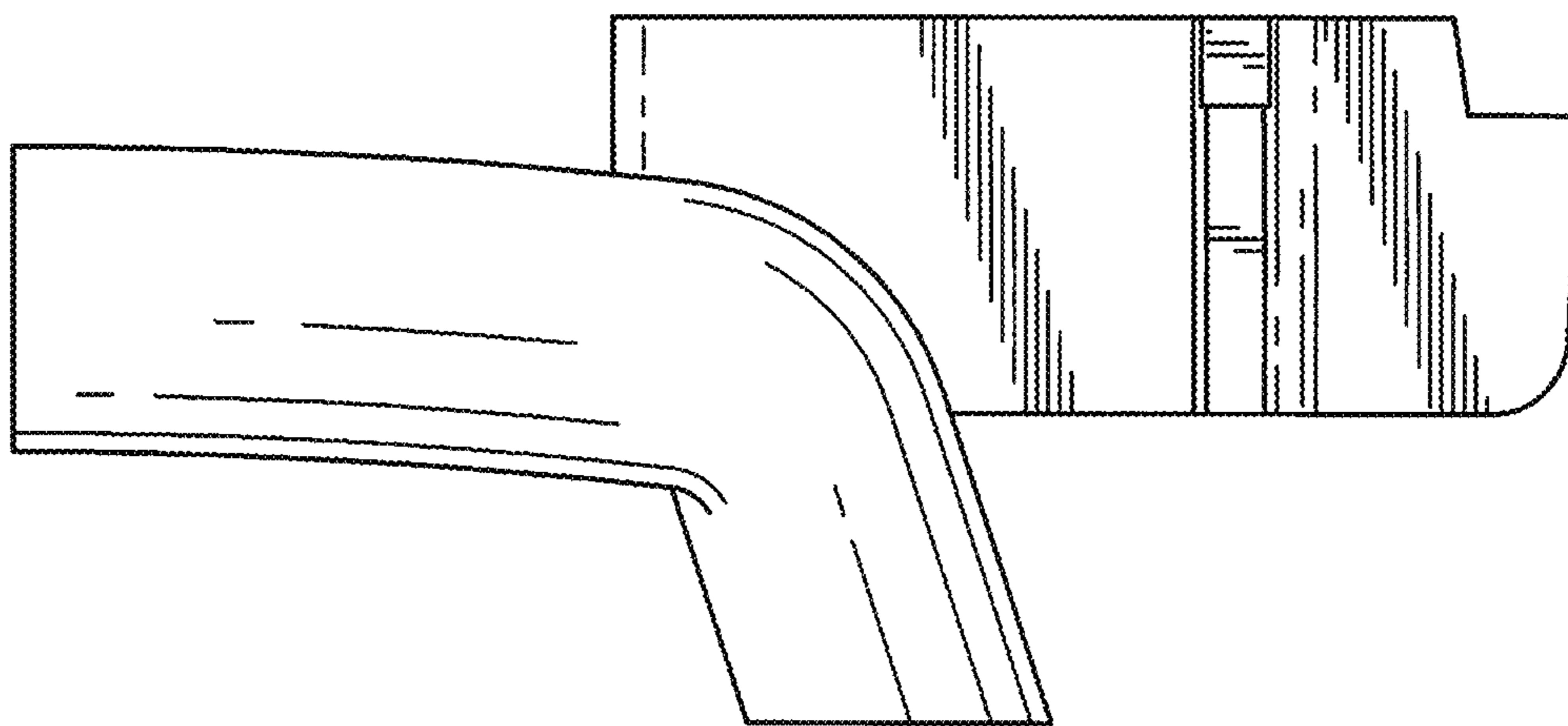


FIG. 4

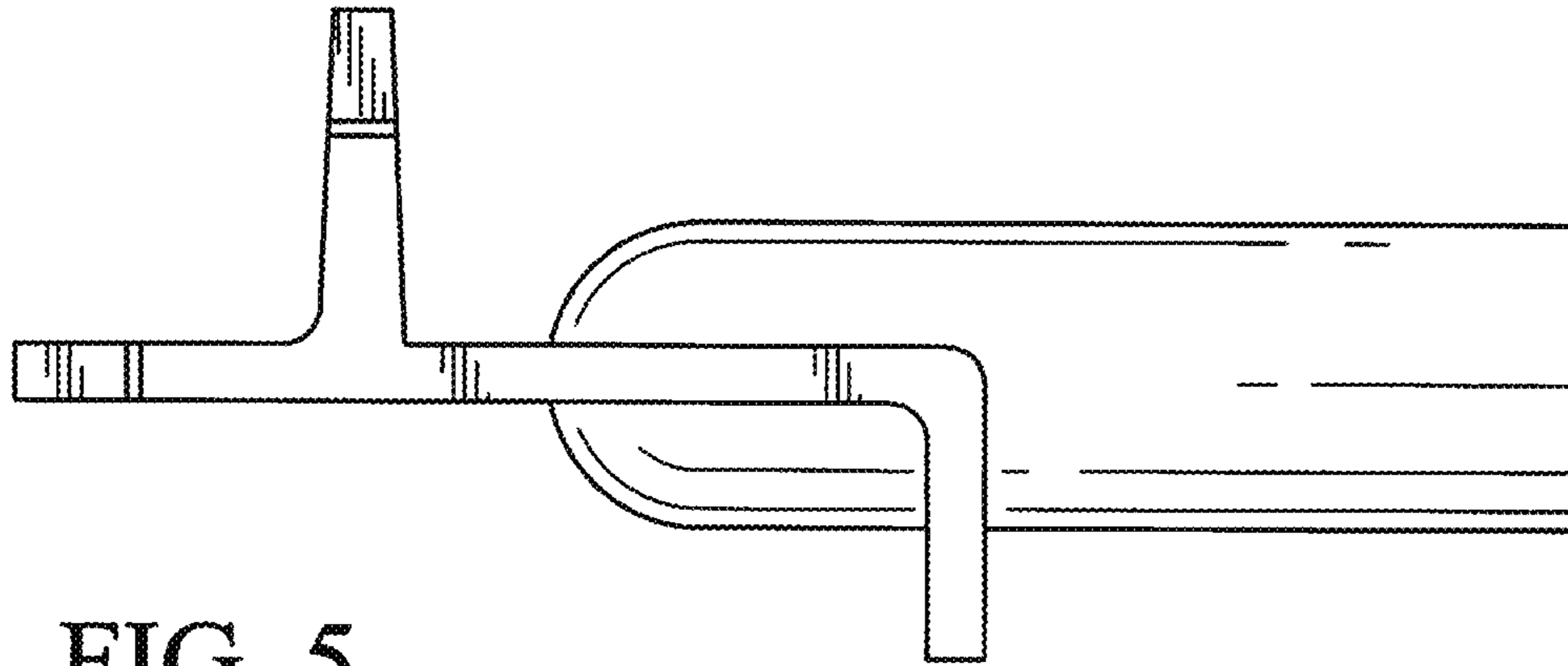


FIG. 5

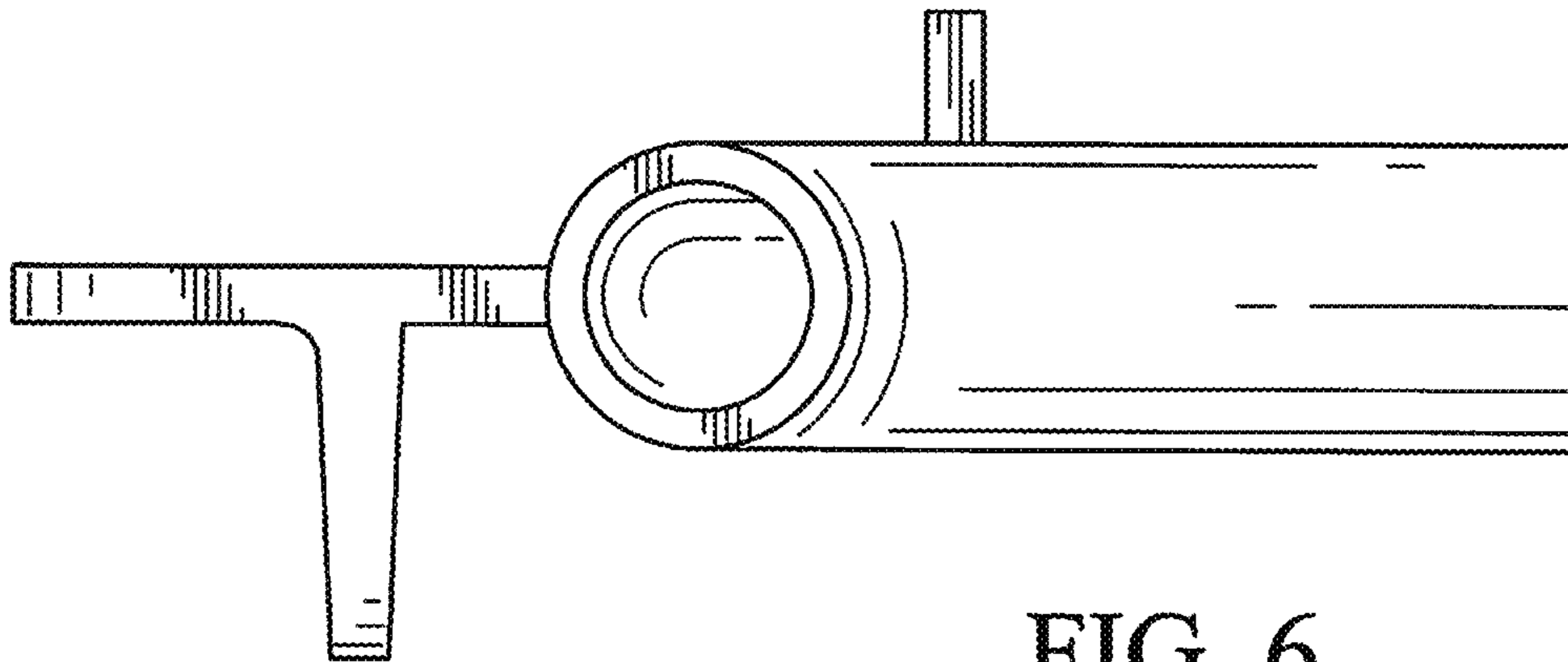


FIG. 6

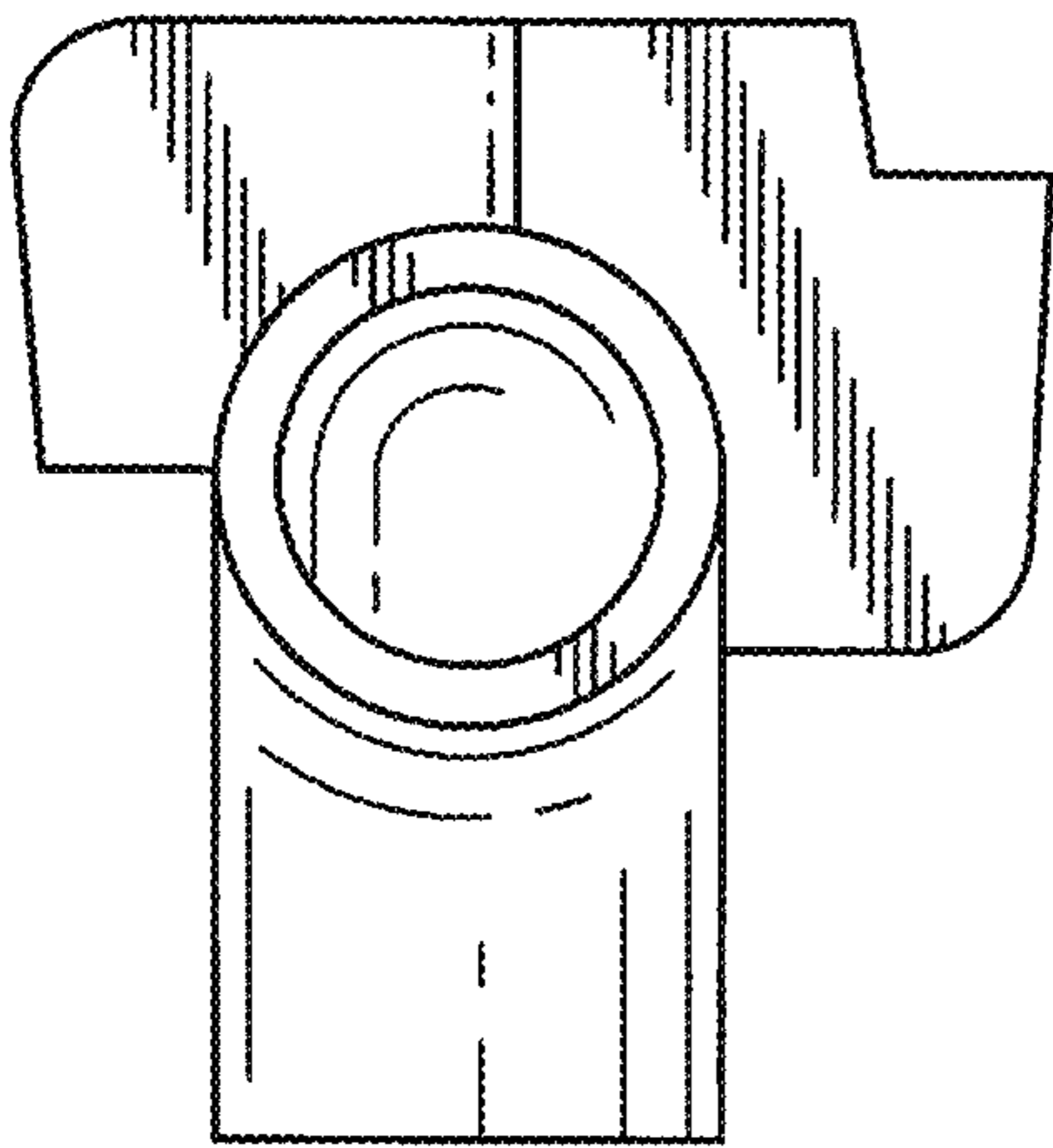


FIG. 7

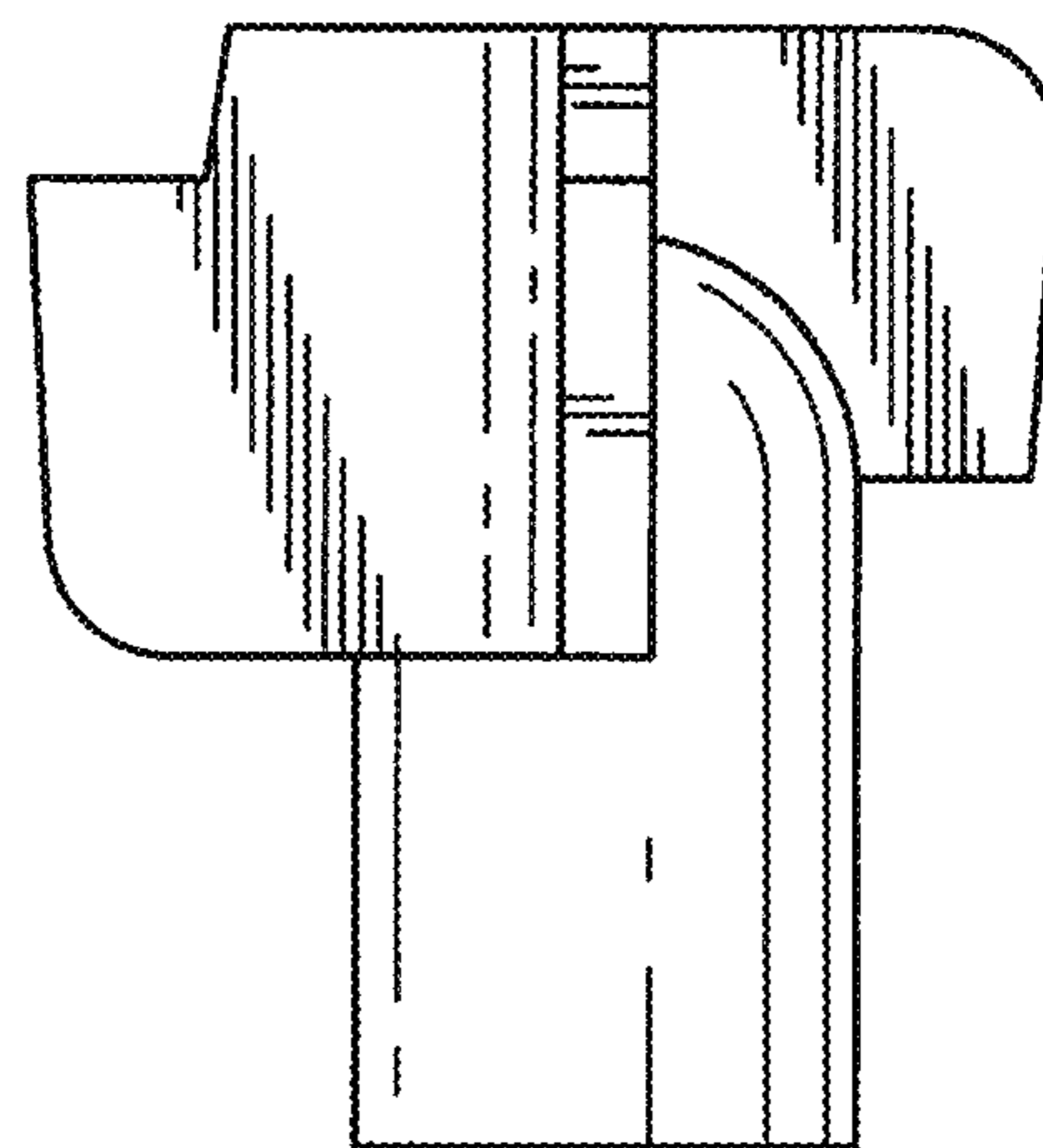


FIG. 8