



US00D783780S

(12) **United States Design Patent**  
**Clarke**

(10) **Patent No.:** **US D783,780 S**  
(45) **Date of Patent:** **\*\* Apr. 11, 2017**

(54) **FAUCET**

(71) Applicant: **Kohler Co.**, Kohler, WI (US)

(72) Inventor: **Gary N. Clarke**, Sheboygan, WI (US)

(73) Assignee: **KOHLER CO.**, Kohler, WI (US)

(\*\*) Term: **15 Years**

(21) Appl. No.: **29/566,968**

(22) Filed: **Jun. 3, 2016**

(51) **LOC (10) Cl.** ..... **23-01**

(52) **U.S. Cl.**  
USPC ..... **D23/255**; D23/249

(58) **Field of Classification Search**  
USPC ..... D23/238, 249–250, 252, 254  
CPC ..... E03C 1/00; E03C 1/0404; E03C 1/02;  
E03C 1/021; E03C 2001/0411; E03C  
2001/0415; E03C 2001/0417; Y10T  
137/9464; B05B 15/065; A47L 17/00  
See application file for complete search history.

(56) **References Cited**

**U.S. PATENT DOCUMENTS**

4,709,715	A *	12/1987	Knight	.....	A47L 17/00 134/177
D491,253	S *	6/2004	Hansle	.....	D23/238
D573,696	S	7/2008	Eilmus		
D576,705	S *	9/2008	McKeone	.....	D23/238
D585,110	S *	1/2009	Paini	.....	D23/238
D587,343	S *	2/2009	Nobili	.....	D23/238
D607,544	S *	1/2010	Roy	.....	D23/255
D651,284	S *	12/2011	Flowers	.....	D23/243
D677,366	S *	3/2013	Chen	.....	D23/255
D683,825	S	6/2013	Sofield		

(Continued)

**OTHER PUBLICATIONS**

Kohler Price Book; Kitchen Faucets ‘Quick Look’; pp. 160-196; 37 pages.

*Primary Examiner* — Robert Delehanty

(74) *Attorney, Agent, or Firm* — Foley & Lardner LLP

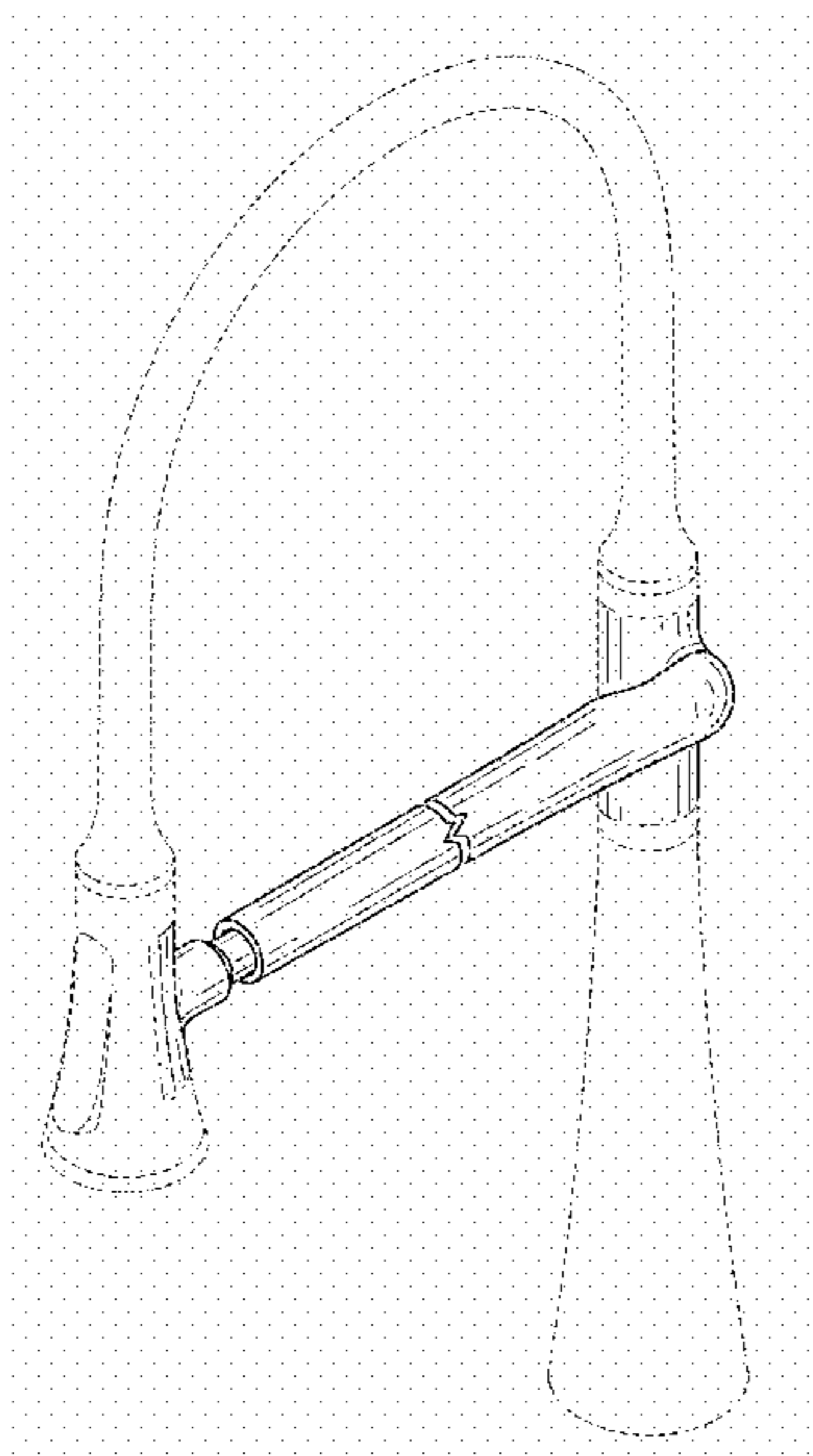
(57) **CLAIM**

I claim the ornamental design for a faucet, as shown and described.

**DESCRIPTION**

FIG. 1 is a perspective view of an embodiment of the claimed design in a use position;  
FIG. 2 is a side view of the claimed design shown in FIG. 1;  
FIG. 3 is a front side view of the claimed design shown in FIG. 1;  
FIG. 4 is top view of the claimed design shown in FIG. 1;  
FIG. 5 is a perspective view of the claimed design shown in FIG. 1 in another use position;  
FIG. 6 is a side view of the claimed design shown in FIG. 5;  
FIG. 7 is a front side view of the claimed design shown in FIG. 5; and,  
FIG. 8 is top view of the claimed design shown in FIG. 5.  
The ornamental design that is claimed is shown in the drawings as solid lines and surfaces having surface shading. The broken lines in the drawings are for illustrative purposes only and form no part of the claimed design. For example, broken lines formed by equal length dashes show unclaimed portions of the design. Broken lines formed of unequal length dashes (i.e., dash-dot) show boundaries between either claimed and unclaimed portions of the design or between unclaimed and unclaimed portions of the design. Lines having a jagged element are not part of the claimed design and show that differing lengths of the portion are possible.

**1 Claim, 6 Drawing Sheets**



(56)

**References Cited**

U.S. PATENT DOCUMENTS

D691,708 S	10/2013	Georgeson et al.	
D697,589 S	1/2014	Georgeson	
D703,789 S	4/2014	Mazz et al.	
D703,790 S	4/2014	Mazz et al.	
D713,939 S	9/2014	Mazz et al.	
8,869,821 B2 *	10/2014	Laera .....	E03C 1/0404 137/355.16
D723,665 S *	3/2015	Kulig .....	D23/238
9,435,107 B2 *	9/2016	Rexach .....	E03C 1/0404

\* cited by examiner

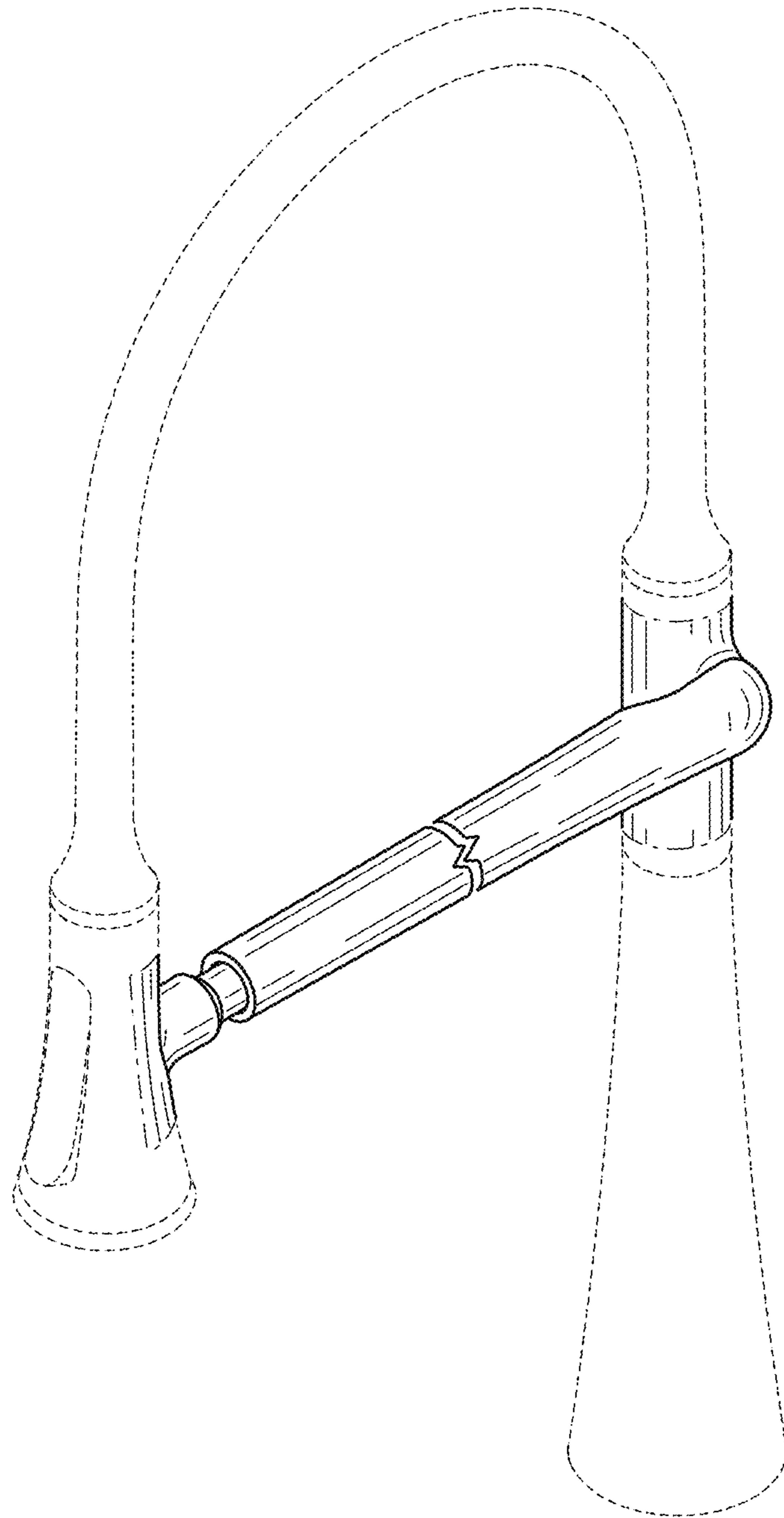


FIG. 1

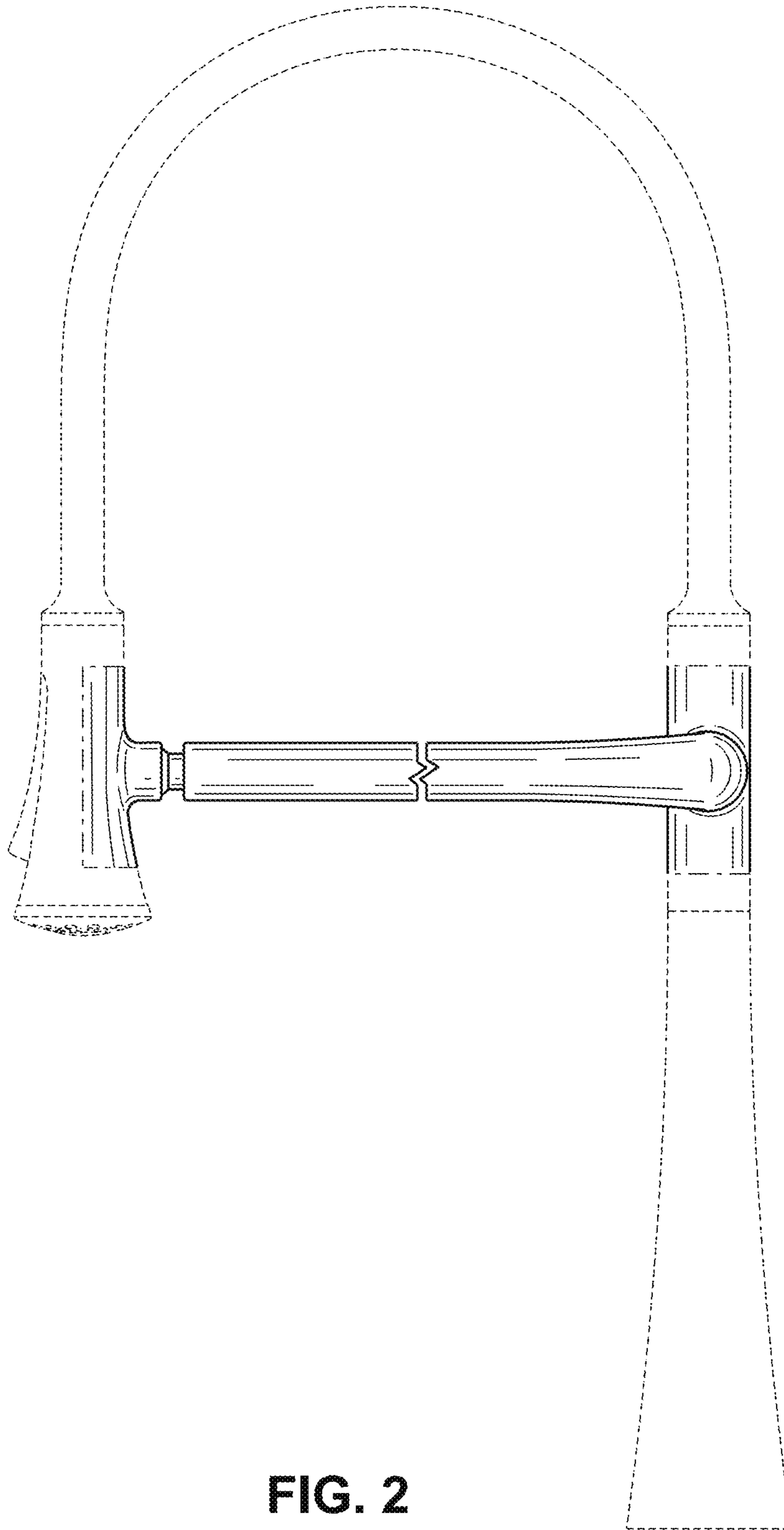
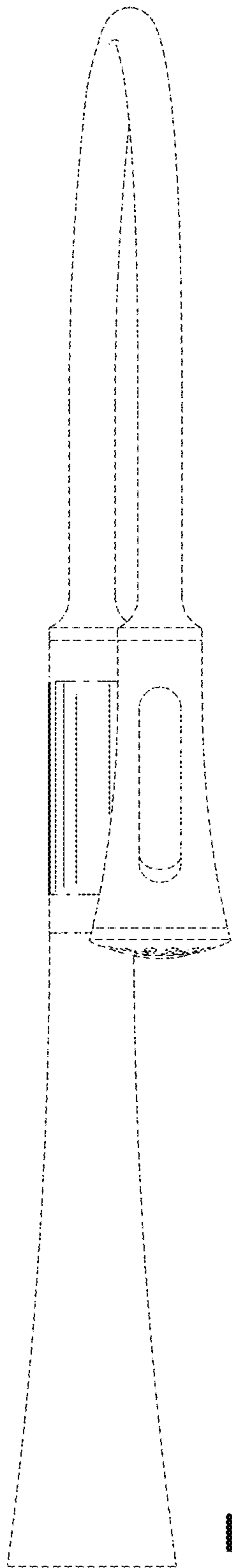
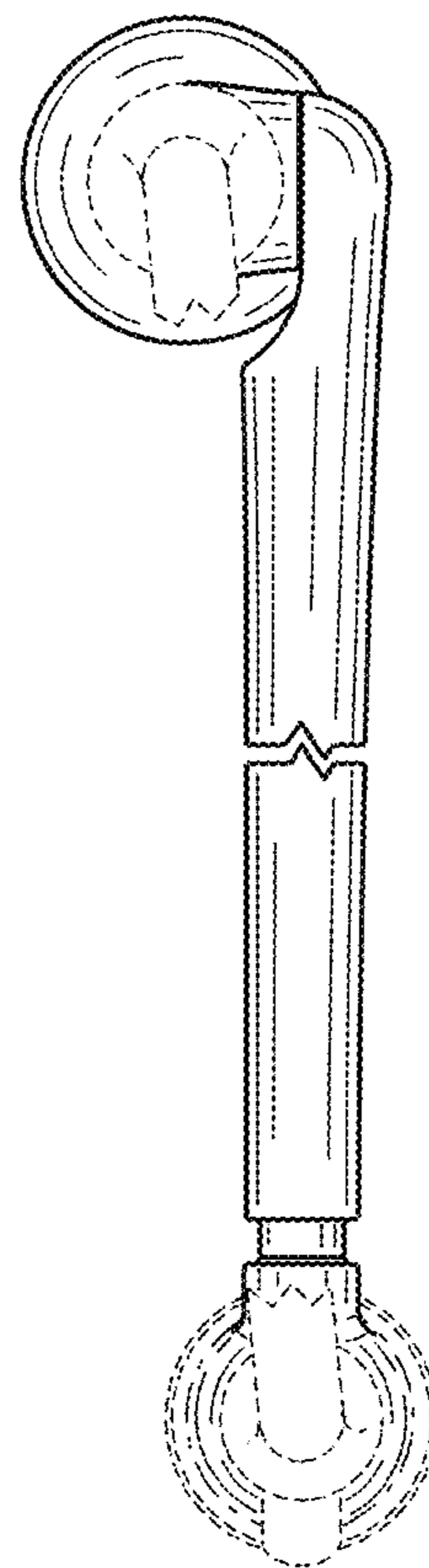


FIG. 2



**FIG. 3**



**FIG. 4**

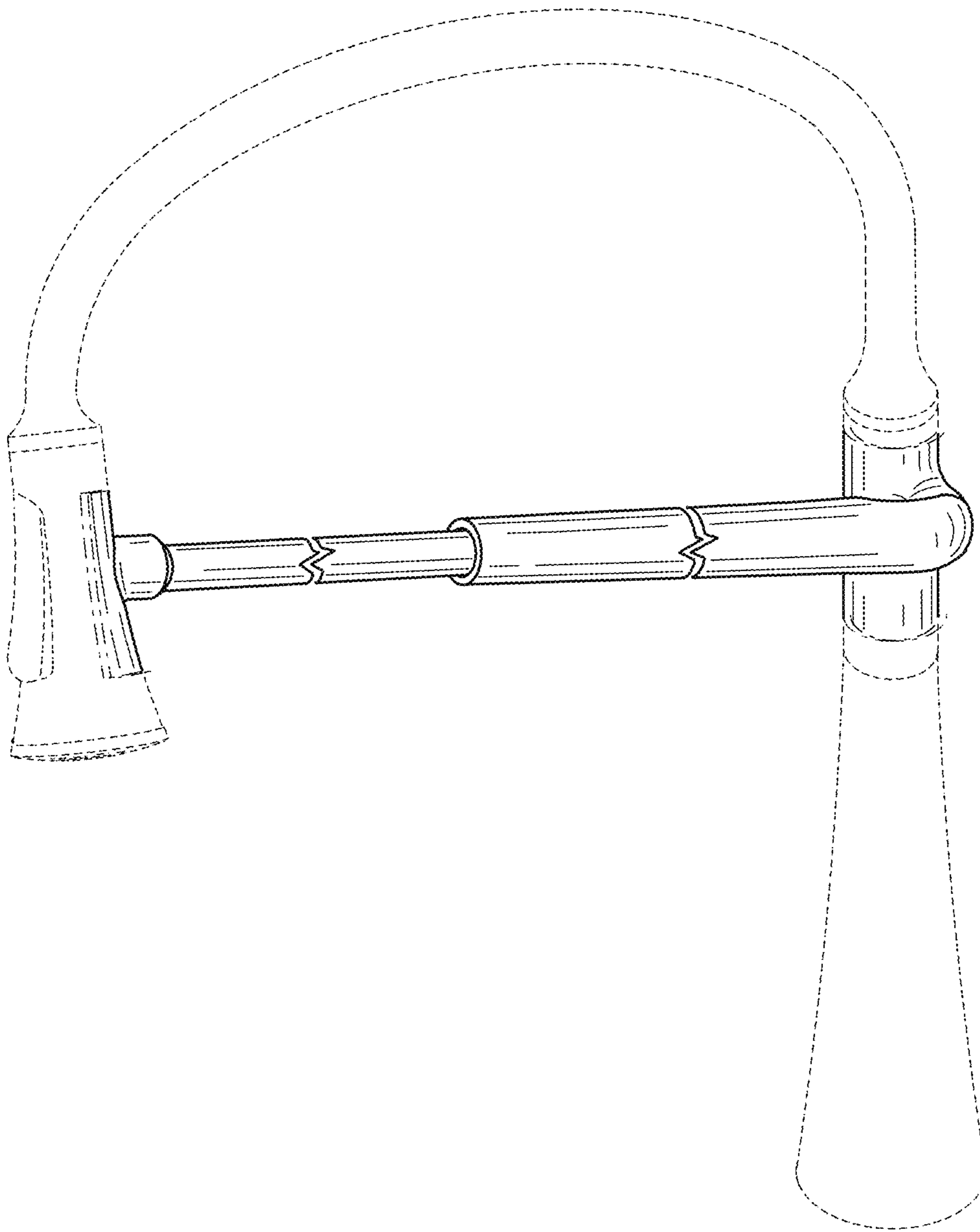


FIG. 5

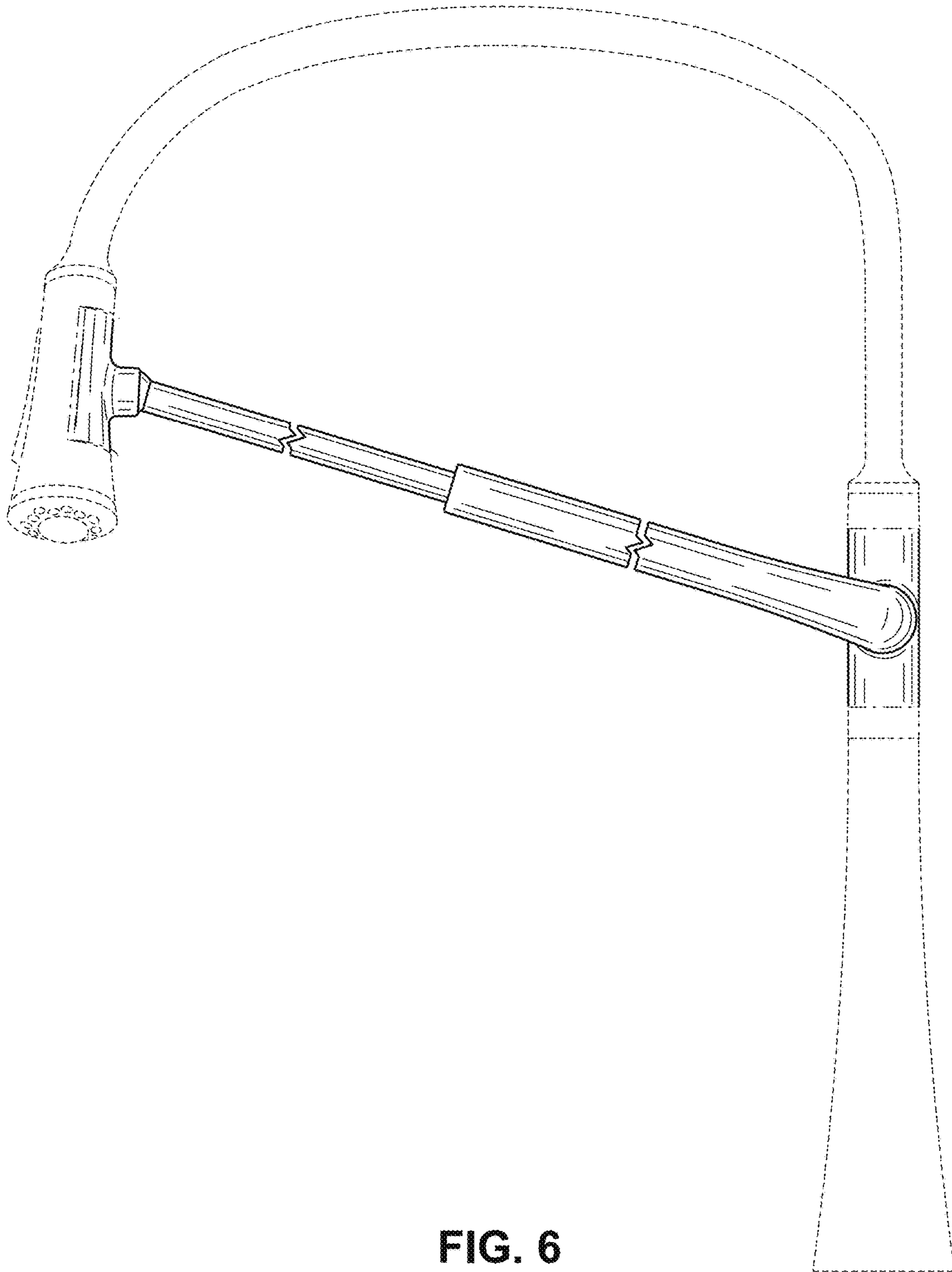
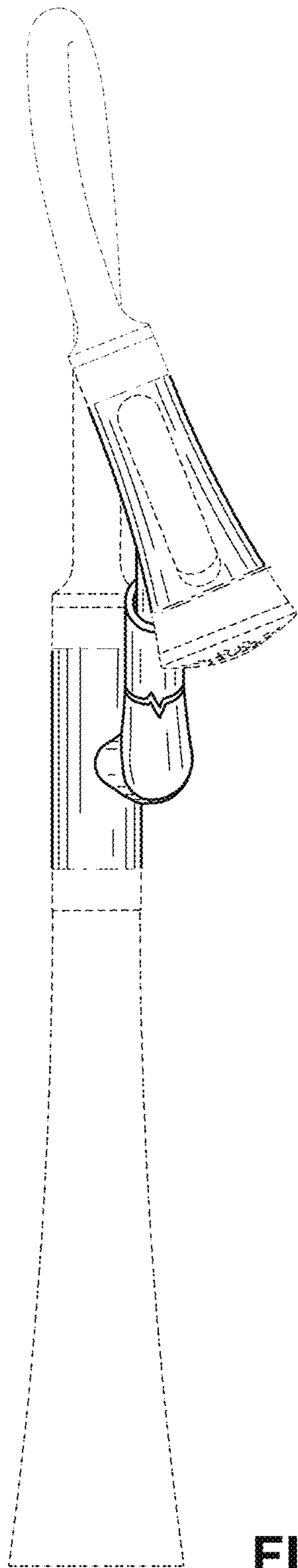
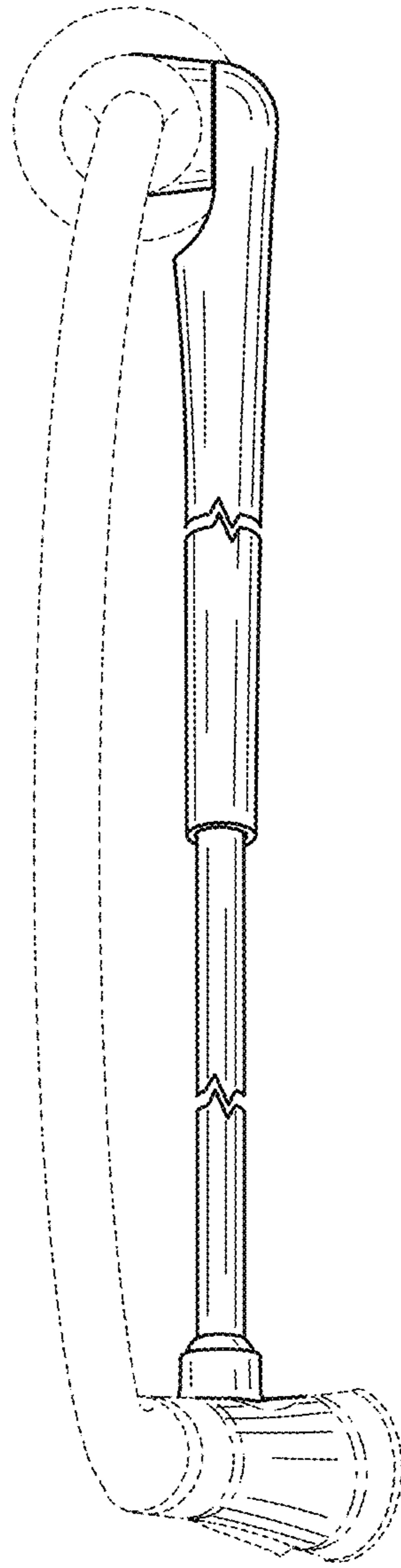


FIG. 6





**FIG. 7**



**FIG. 8**