



US00D783777S

(12) **United States Design Patent** (10) **Patent No.:** **US D783,777 S**
Yamamoto et al. (45) **Date of Patent:** **** Apr. 11, 2017**

(54) **VALVE FOR OIL CHANGE OR THE LIKE**

FOREIGN PATENT DOCUMENTS

(71) Applicant: **FUMOTO GIKEN CO., LTD.**,
Miura-gun, Kanagawa (JP)

CH 163683 A 8/1933
DE 102015209919 A1 3/2015

(Continued)

(72) Inventors: **Ryohei Yamamoto**, Miura-gun (JP);
Yuho Yamamoto, Miura-gun (JP)

OTHER PUBLICATIONS

(73) Assignee: **FUMOTO GIKEN CO., LTD.**,
Miura-gun (JP)

Fumoto Giken Co., Ltd., Publication of U.S. Appl. No. 85/837,373,
Published on Apr. 22, 2014.

(Continued)

(**) Term: **15 Years**

(21) Appl. No.: **29/539,999**

Primary Examiner — Cynthia Ramirez

Assistant Examiner — Gino Colan

(22) Filed: **Sep. 18, 2015**

(74) *Attorney, Agent, or Firm* — Masuvalley & Partners

(51) **LOC (10) Cl.** **23-01**

(52) **U.S. Cl.**
USPC **D23/245**

(57) **CLAIM**

The ornamental design for a valve for oil change or the like,
as shown and described.

(58) **Field of Classification Search**

USPC D23/233–250, 255–269, 310; 137/1, 59,
137/377, 315.18, 315.35, 625.5, 625.27,
137/625.44, 625.48, 385, 382, 549, 315.2,
137/315.37; 251/288, 99, 59, 294, 298,
251/349–354, 96, 98, 315.1

CPC F16K 39/06; F16K 5/06; F16K 37/0075;
F16K 5/0647

DESCRIPTION

FIG. 1 is a perspective view of a valve for oil change or the
like according to the invention;

FIG. 2 is a front elevation view of the valve for oil change
or the like of FIG. 1;

FIG. 3 is a rear elevation view of the valve for oil change or
the like of FIG. 1;

FIG. 4 is a left side elevation view of the valve for oil change
or the like of FIG. 1,

FIG. 5 is a right side elevation view of the valve for oil
change or the like of FIG. 1;

FIG. 6 is a top plan view of the valve for oil change or the
like of FIG. 1; and,

FIG. 7 is a bottom plan view of the valve for oil change or
the like of FIG. 1.

The broken lines shown in the figures are included for the
purpose of illustrating portions of the valve for oil change or
the like and forms no part of the claimed design.

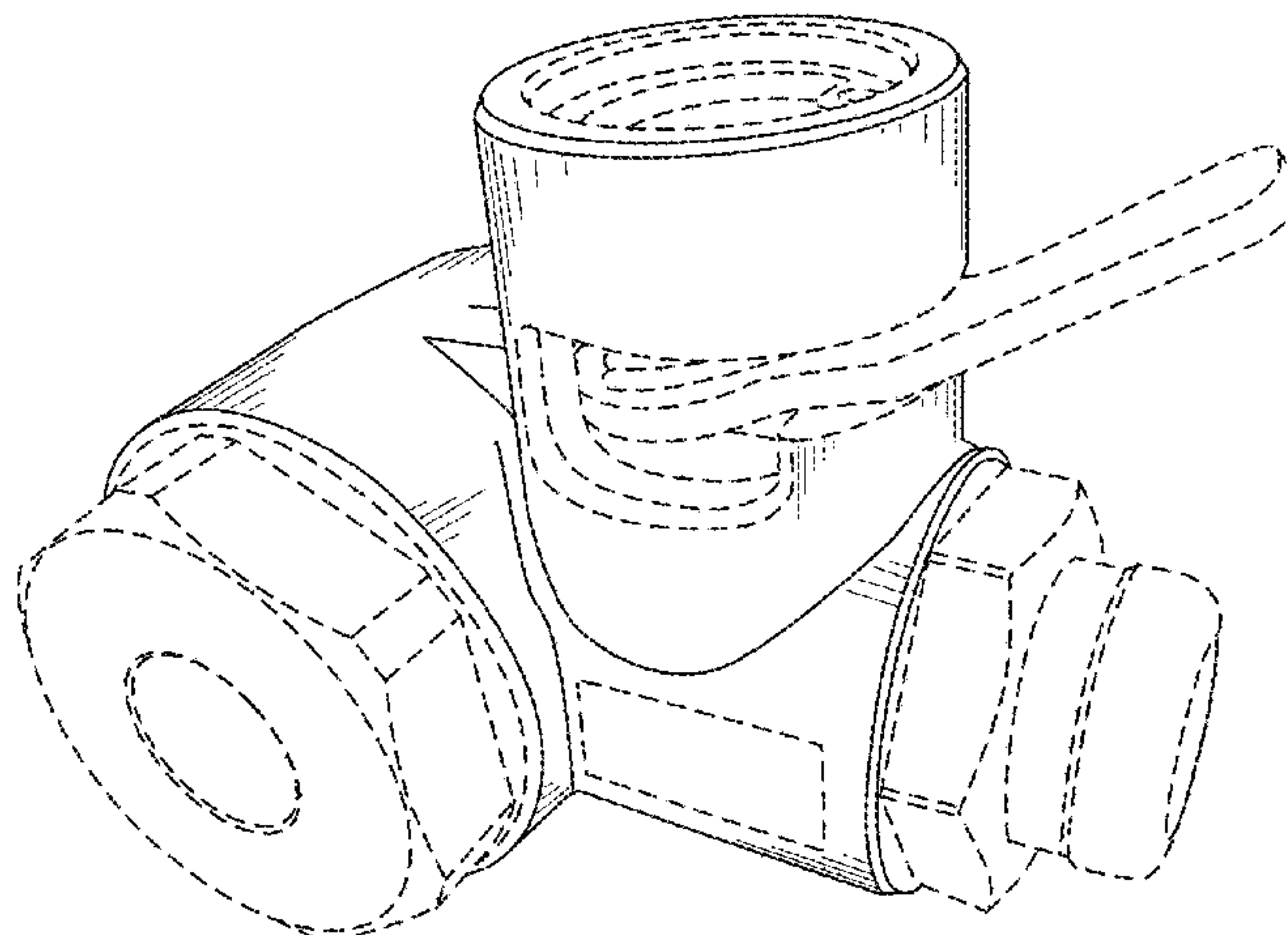
(56) **References Cited**

U.S. PATENT DOCUMENTS

D56,925 S 1/1921 Humphrey
D56,926 S 1/1921 Humphrey
1,973,418 A 9/1934 Sibley
2,035,762 A 3/1936 Roberts
2,118,232 A 5/1938 Roberts
2,121,553 A 6/1938 Stewawrt et al.
2,194,714 A 3/1940 Mueller
2,665,879 A 1/1954 Housekeeper et al.
2,691,988 A 10/1954 Weatherhead, Jr.
3,112,758 A 12/1963 Norton
3,443,789 A 5/1969 Glasgow et al.

(Continued)

1 Claim, 7 Drawing Sheets



(56)

References Cited

FOREIGN PATENT DOCUMENTS

U.S. PATENT DOCUMENTS

3,623,698 A 11/1971 Couper et al.
 3,726,503 A 4/1973 Fawkes
 3,764,102 A 10/1973 Shopsy
 3,954,250 A 5/1976 Grace
 4,078,763 A 3/1978 Yamamoto
 4,380,247 A 4/1983 Douglas
 D297,354 S 8/1988 Wirth
 4,964,614 A 10/1990 Sands et al.
 5,072,913 A 12/1991 Carroll
 5,275,200 A * 1/1994 Yamamoto F16K 5/0647
 137/315.18
 D375,141 S 10/1996 Valley
 6,325,355 B1 12/2001 Johnson
 D455,818 S * 4/2002 Naoyuki D23/245
 6,371,155 B1 4/2002 Balocca
 D500,123 S 12/2004 Pelletz
 D505,184 S 5/2005 Trappa
 D516,678 S 3/2006 Tripp et al.
 7,226,285 B2 6/2007 Tsai
 7,849,877 B2 12/2010 Tan et al.
 8,327,867 B2 12/2012 Caleffi
 D681,170 S * 4/2013 Yamamoto D23/245
 D681,171 S * 4/2013 Yamamoto D23/245
 D701,945 S * 4/2014 Mitsuoka D23/245
 D701,946 S * 4/2014 Mitsuoka D23/245
 D730,491 S 5/2015 Yamamoto et al.
 2003/0205687 A1 11/2003 McPeak et al.
 2006/0191960 A1 8/2006 Shelton
 2007/0163654 A1 7/2007 Elliott
 2010/0313966 A1 12/2010 Murg et al.
 2014/0124056 A1 5/2014 Zeyfang
 2015/0041689 A1 * 2/2015 Rucinski F16K 1/226
 251/59
 2015/0345659 A1 * 12/2015 Yamamoto F16K 39/06
 137/1

EP 2110589 A2 10/2009
 GB 473048 A 10/1937
 GB 521848 A 6/1940
 GB 526708 A 9/1940
 GB 1173090 A 12/1969
 GB 1222210 A 2/1971
 JP S49-38917 Y 10/1974
 JP S59-113374 A 6/1984
 JP S59-113375 A 6/1984
 JP S59-147171 A 8/1984
 JP S59-231274 A 12/1984
 JP S60-260773 A 12/1985
 JP 837859 S 5/1992
 JP H05-79137 U 10/1993
 JP H05-83560 U 11/1993
 JP 837859 S 4/1995
 JP 2546566 Y2 5/1997
 JP D1113929 S 7/2001
 JP 2002-106731 A 4/2002
 JP 2005-233395 A 9/2005
 JP 2015-161337 A 9/2015
 JP 2016-6346 A 1/2016

OTHER PUBLICATIONS

Fumoto Giken Co., Ltd., Publication of U.S. Appl. No. 85/828,222,
 Published on Apr. 22, 2014.

* cited by examiner

FIG. 1

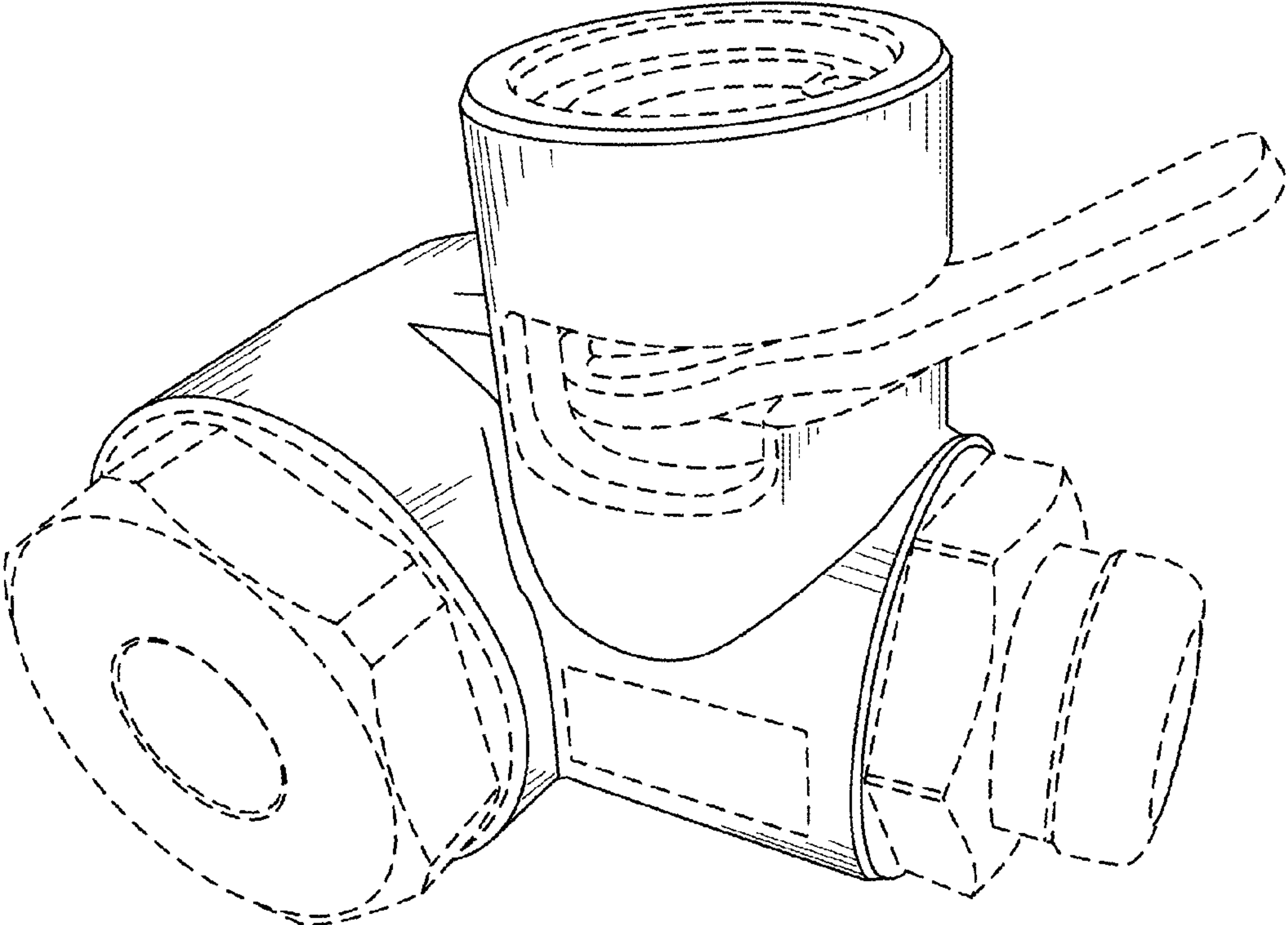


FIG. 2

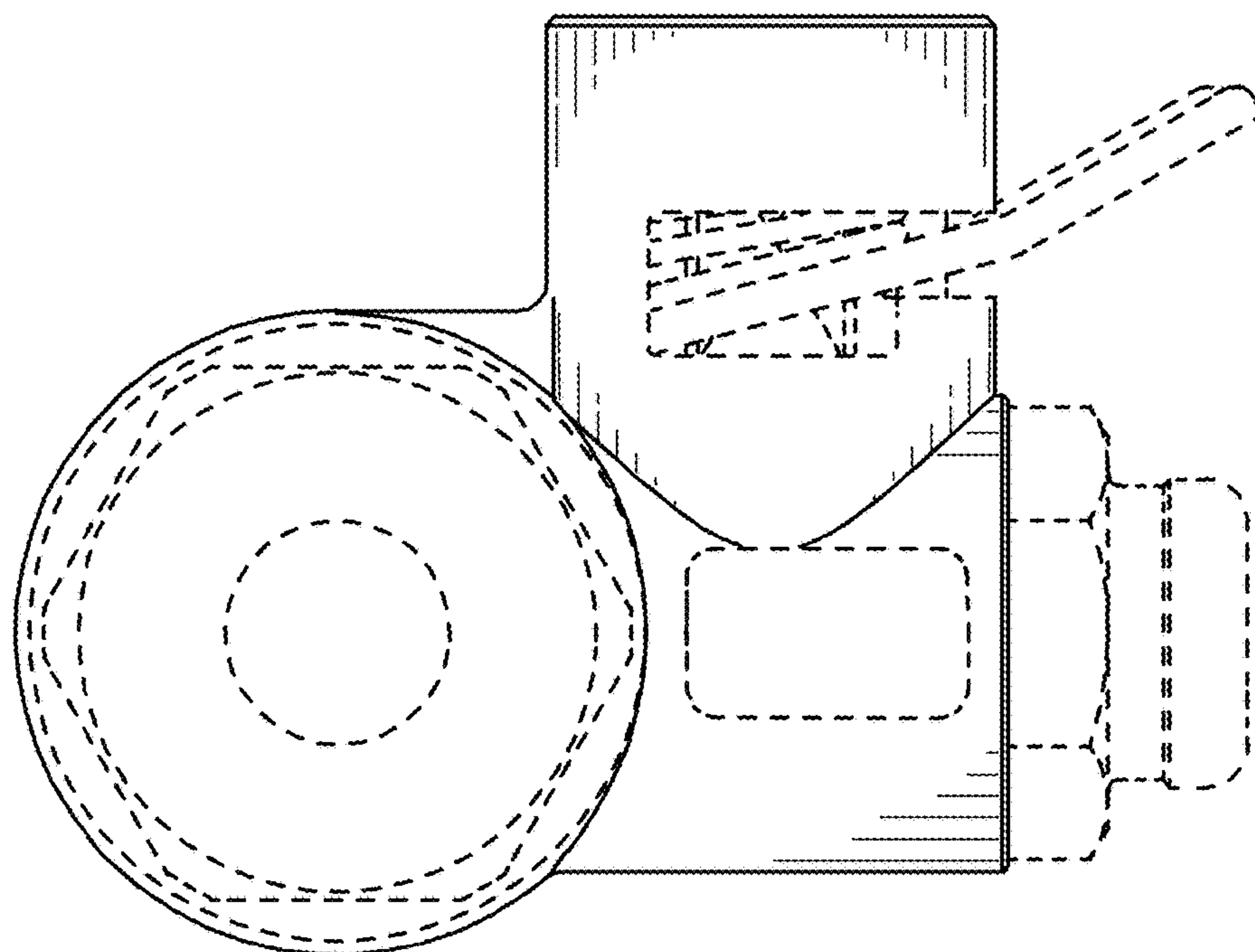


FIG. 3

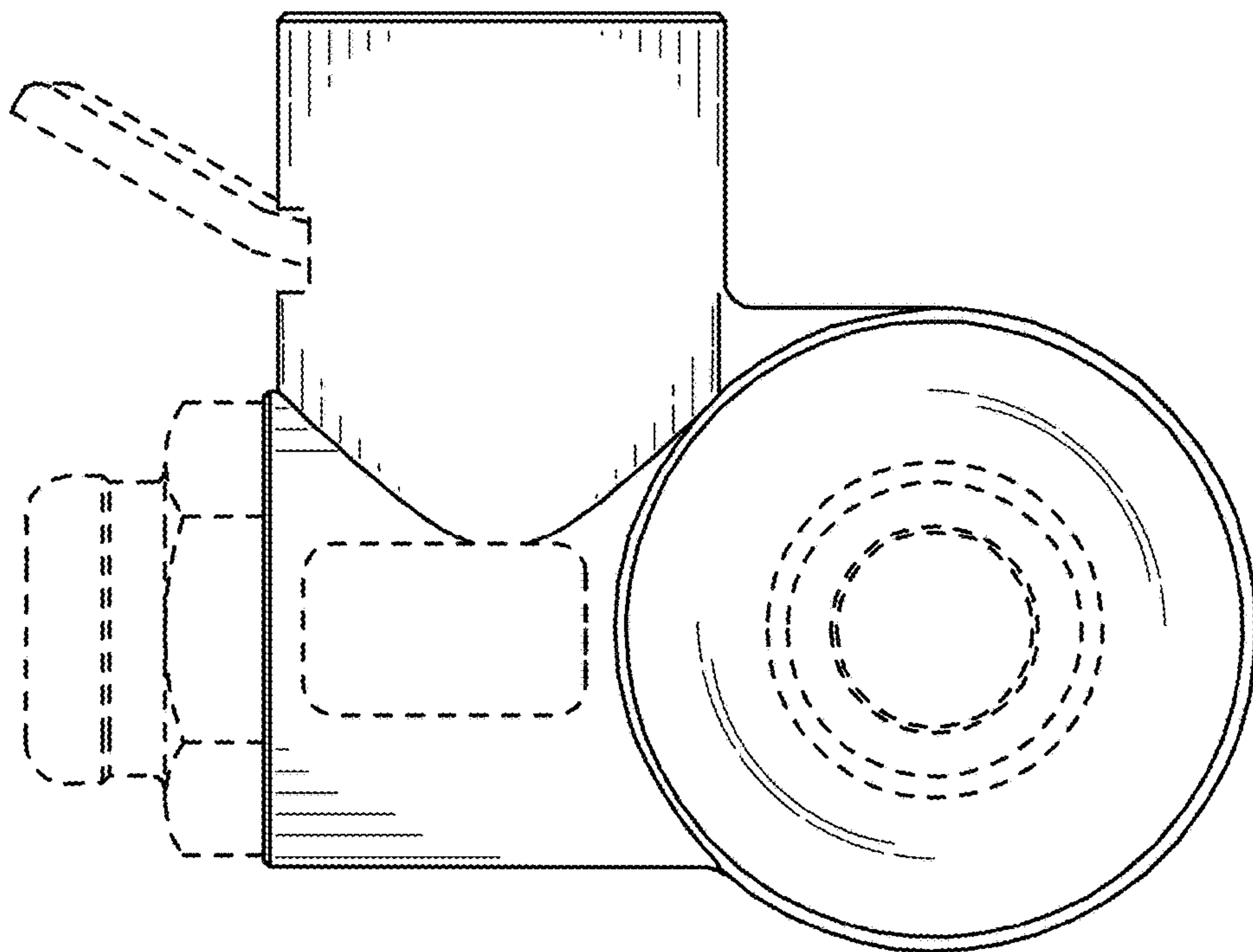


FIG. 4

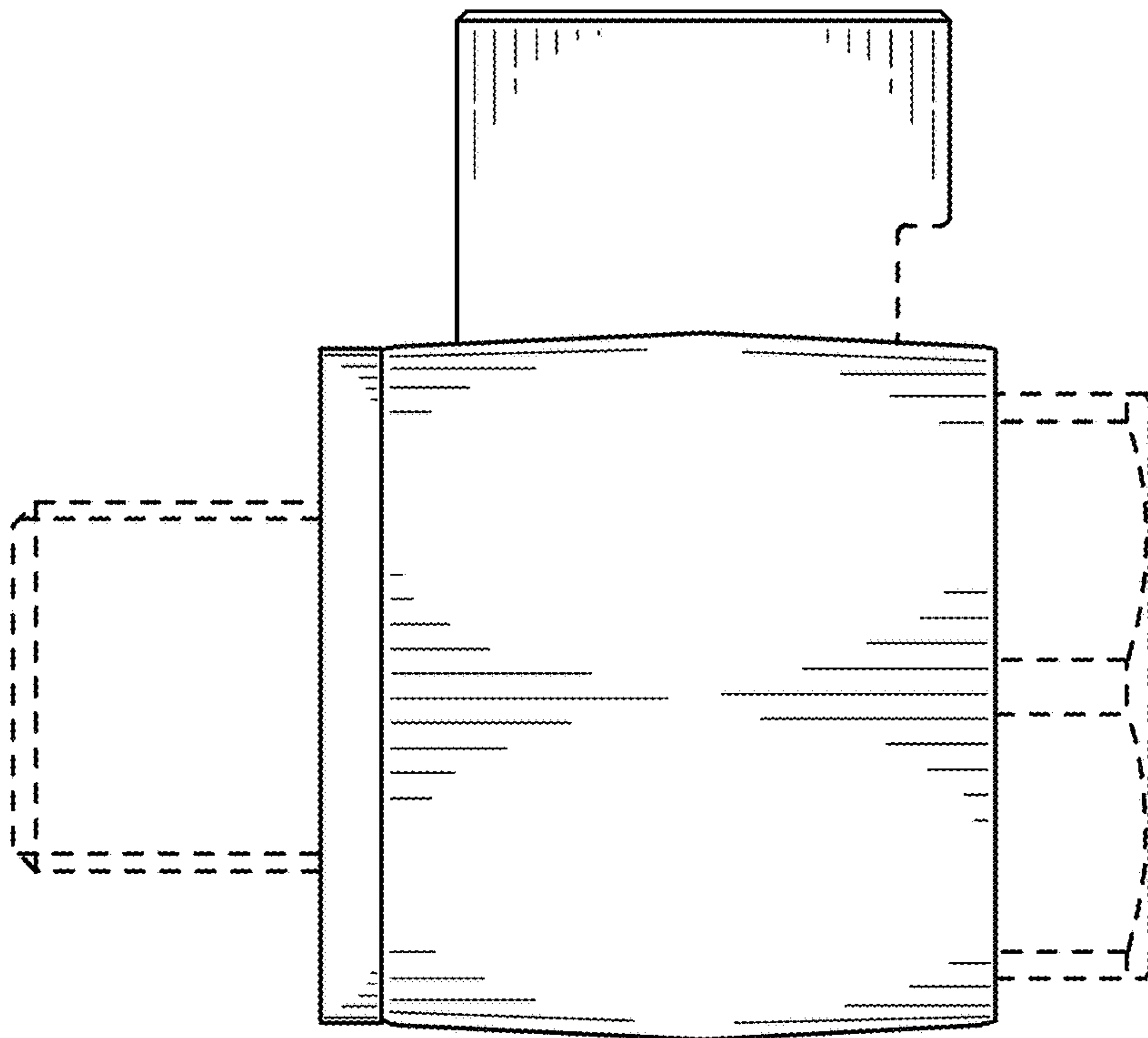


FIG. 5

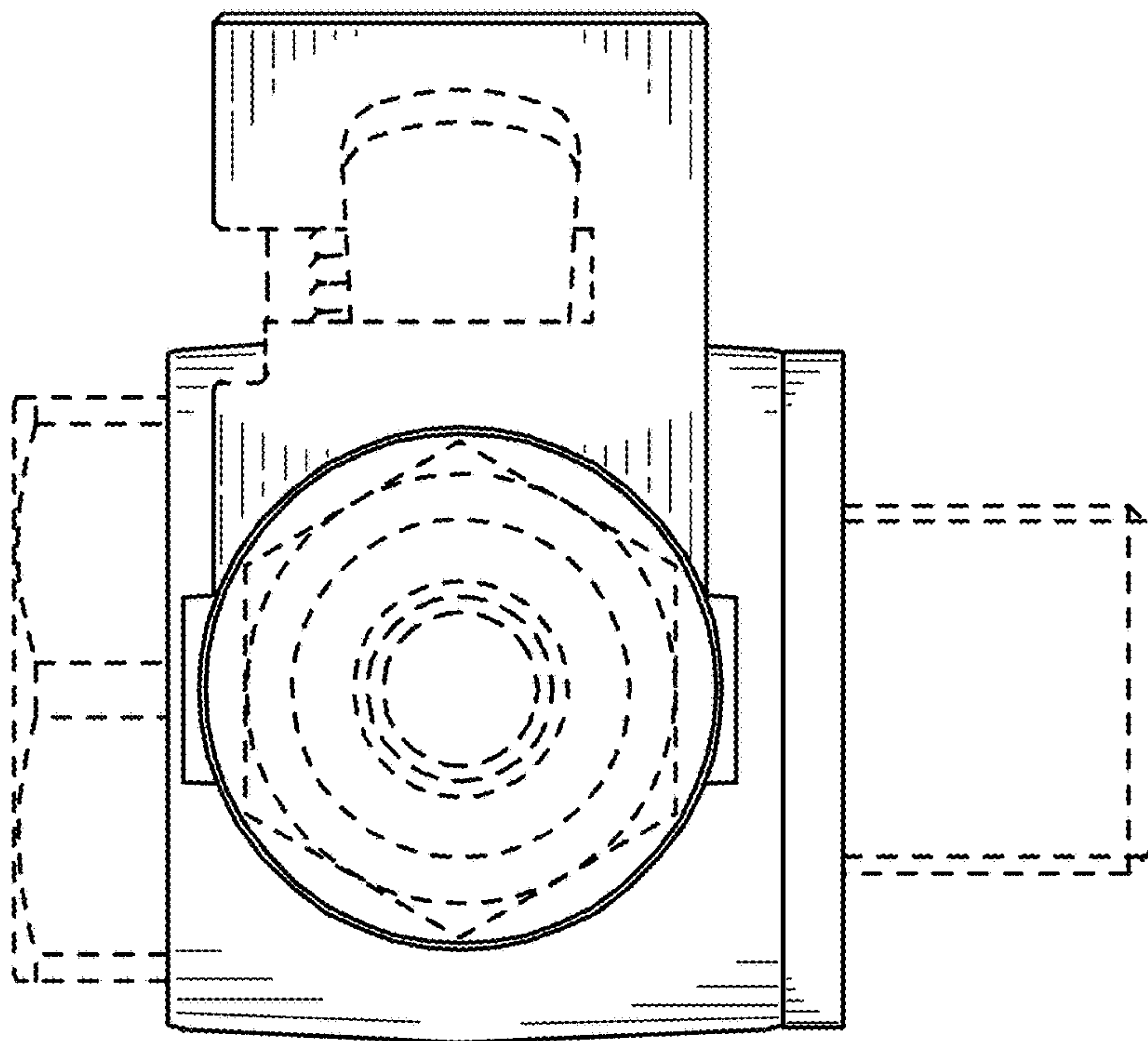


FIG. 6

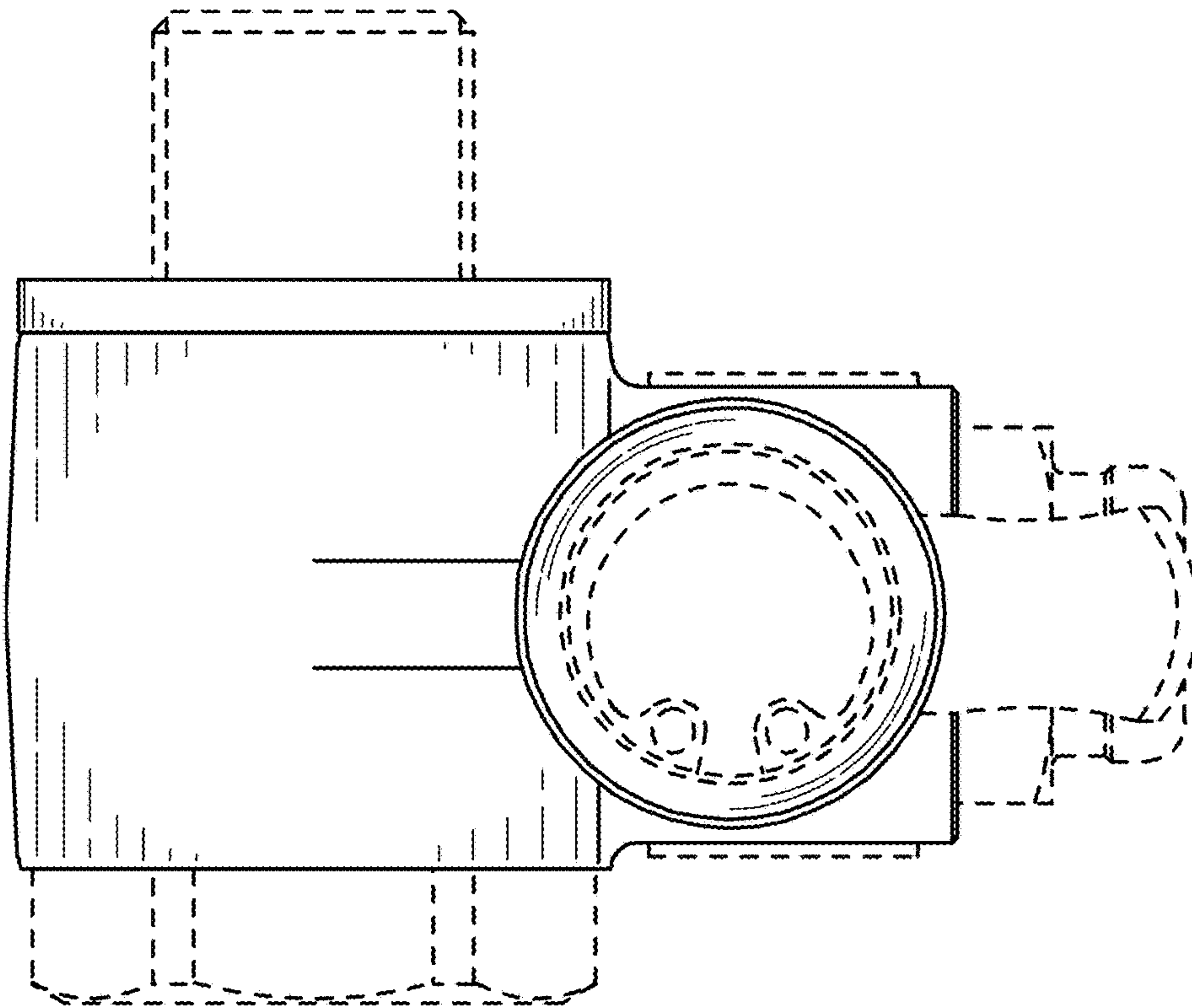


FIG. 7

