



US00D783776S

(12) **United States Design Patent**  
**Yao**

(10) **Patent No.:** **US D783,776 S**  
(45) **Date of Patent:** **\*\* Apr. 11, 2017**

(54) **SPRAY GUN**  
(71) Applicant: **Yuyao Donghua Electrical Appliance  
Plastics Factory, Yuyao, Zhejiang (CN)**  
(72) Inventor: **Yinjie Yao, Zhejiang (CN)**  
(73) Assignee: **YUYAO DONGHUA ELECTRICAL  
APPLIANCE PLASTICS FACTORY,  
Yuyao (CN)**

3,599,868 A \* 8/1971 Rangus ..... B05B 3/087  
239/218.5  
D287,394 S \* 12/1986 Yamamoto ..... D23/225  
D290,298 S \* 6/1987 Sinclair ..... D23/225  
D447,791 S \* 9/2001 Robidoux ..... D23/225  
7,341,206 B2 \* 3/2008 Hubmann ..... B01F 5/0413  
239/302  
8,272,542 B2 \* 9/2012 Becker ..... B05B 12/002  
222/323  
D698,007 S \* 1/2014 Tullney ..... D23/225  
9,038,674 B2 \* 5/2015 Steele ..... B67D 3/0061  
141/1  
D767,095 S \* 9/2016 Kuznik ..... D23/225

(\*\*) Term: **15 Years**  
(21) Appl. No.: **29/550,893**  
(22) Filed: **Jan. 7, 2016**

\* cited by examiner

*Primary Examiner* — Robin V Webster

(30) **Foreign Application Priority Data**

Nov. 18, 2015 (CN) ..... 2015 3 0462154

(51) **LOC (10) Cl.** ..... **23-01**  
(52) **U.S. Cl.**  
USPC ..... **D23/226**

(57) **CLAIM**

The ornamental design for a spray gun, as shown and described.

(58) **Field of Classification Search**  
USPC ..... D23/213, 225, 223, 226; 239/302, 308,  
239/318; D9/447, 448  
CPC ..... B05B 7/2408  
See application file for complete search history.

**DESCRIPTION**

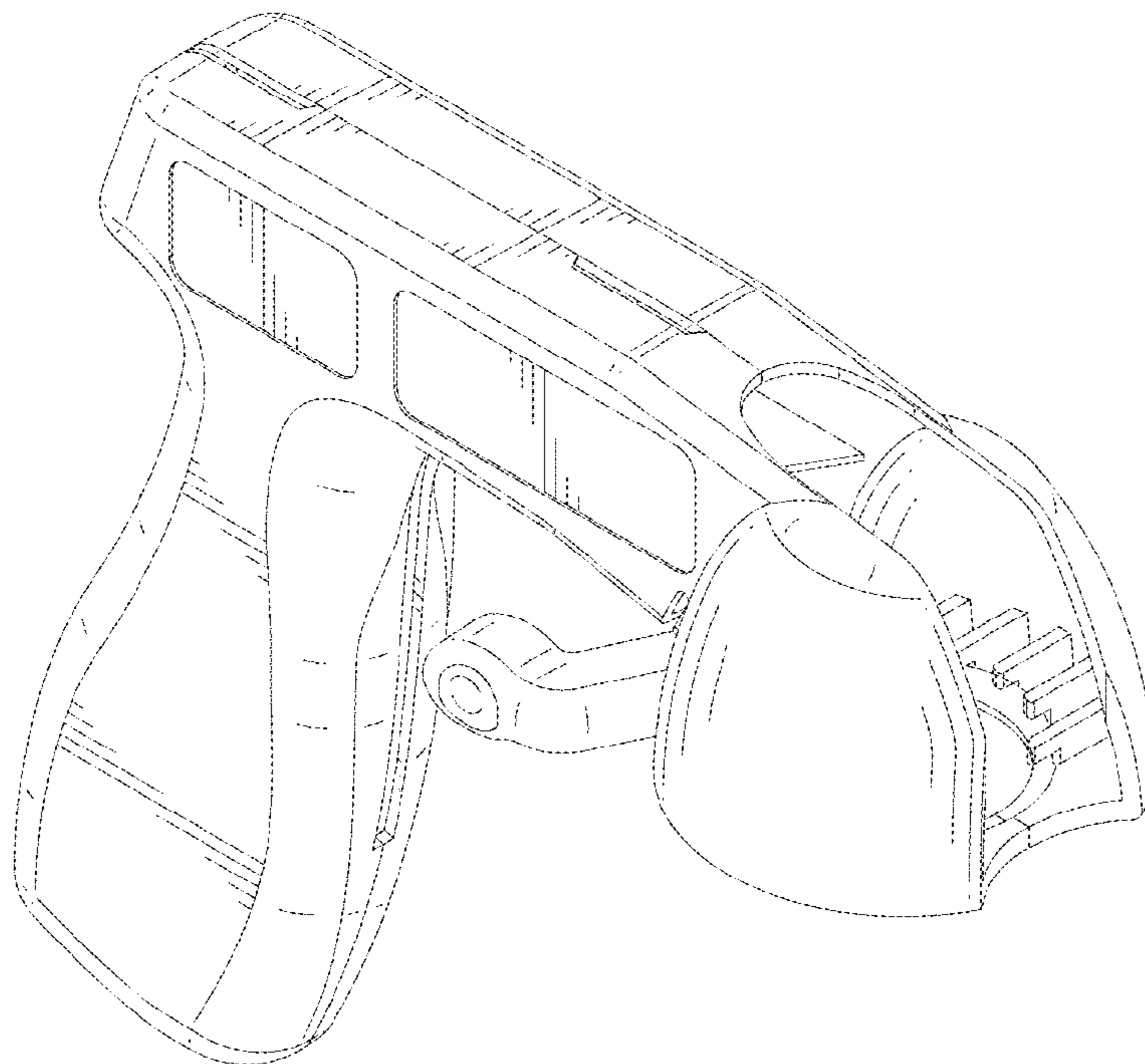
FIG. 1 is a front elevational view of a spray gun showing my new design;  
FIG. 2 is a rear elevational view thereof;  
FIG. 3 is a left side view thereof;  
FIG. 4 is a right side view thereof;  
FIG. 5 is a top plan view thereof;  
FIG. 6 is a bottom plan view thereof;  
FIG. 7 is a first perspective view thereof;  
FIG. 8 is a second perspective view thereof;  
FIG. 9 is a third perspective view thereof; and,  
FIG. 10 is a fourth perspective view thereof.

(56) **References Cited**

**U.S. PATENT DOCUMENTS**

D156,873 S \* 1/1950 Elsner ..... D23/225  
D159,897 S \* 8/1950 Edelstone ..... D21/572

**1 Claim, 10 Drawing Sheets**



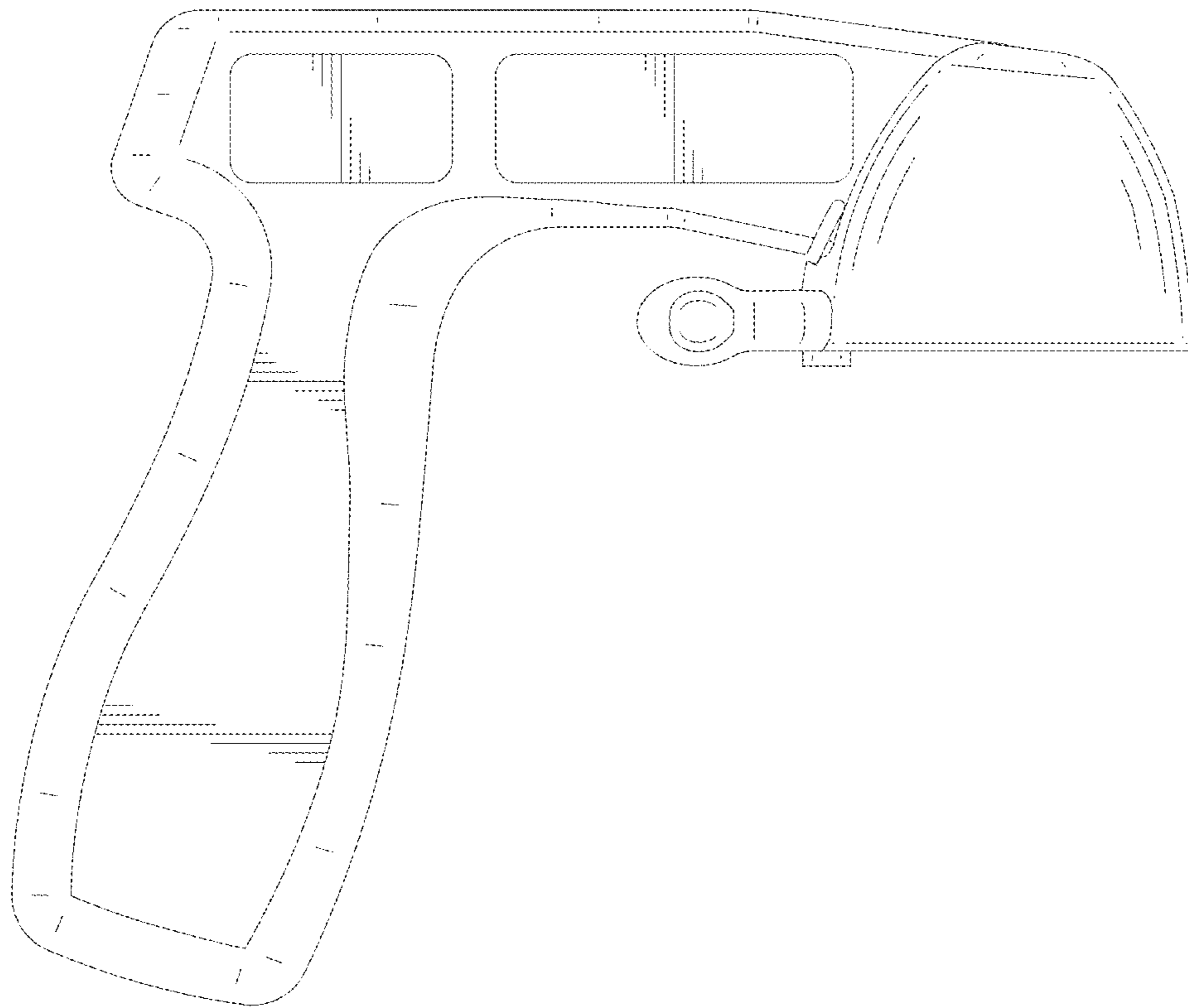


FIG.1

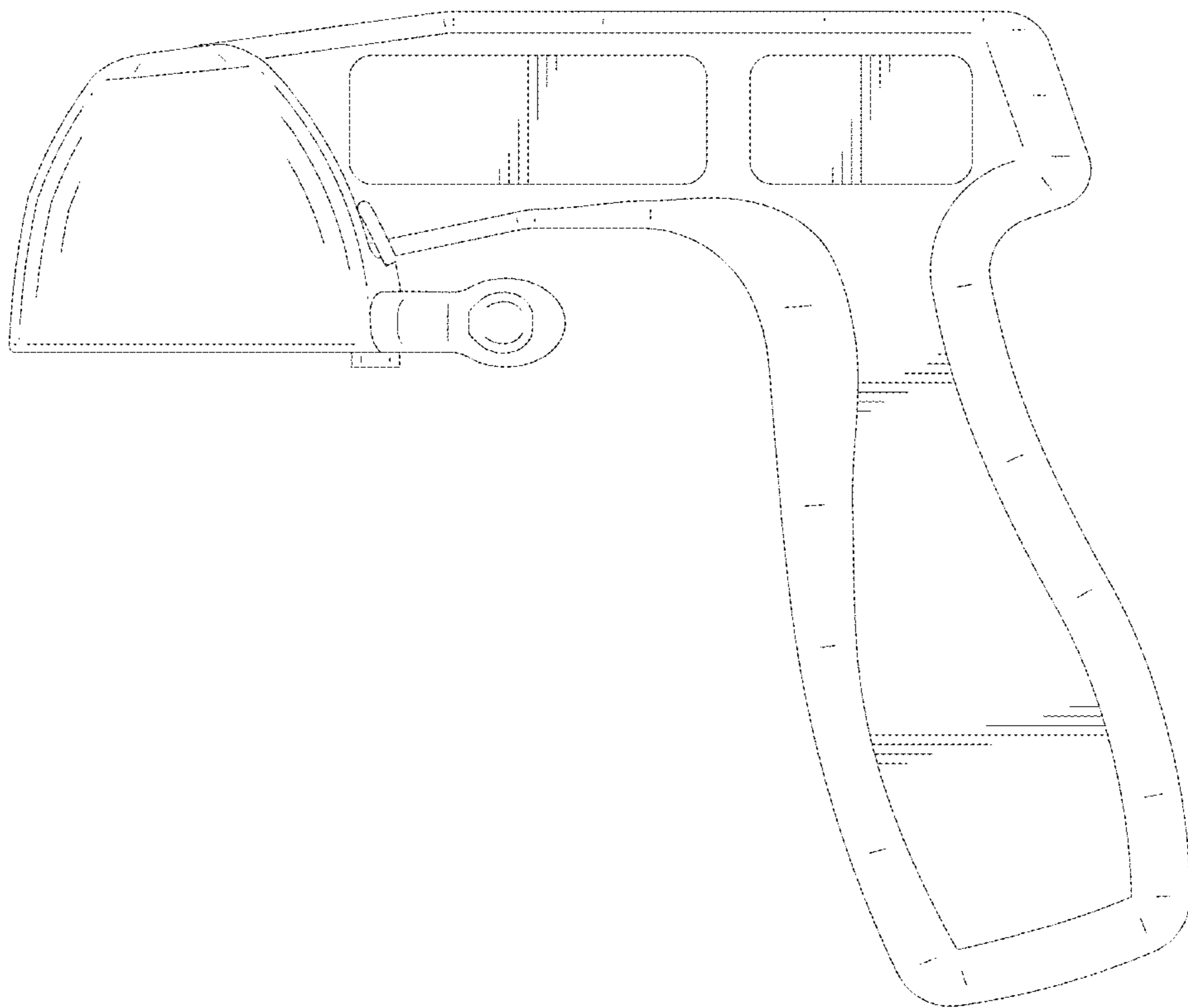


FIG.2

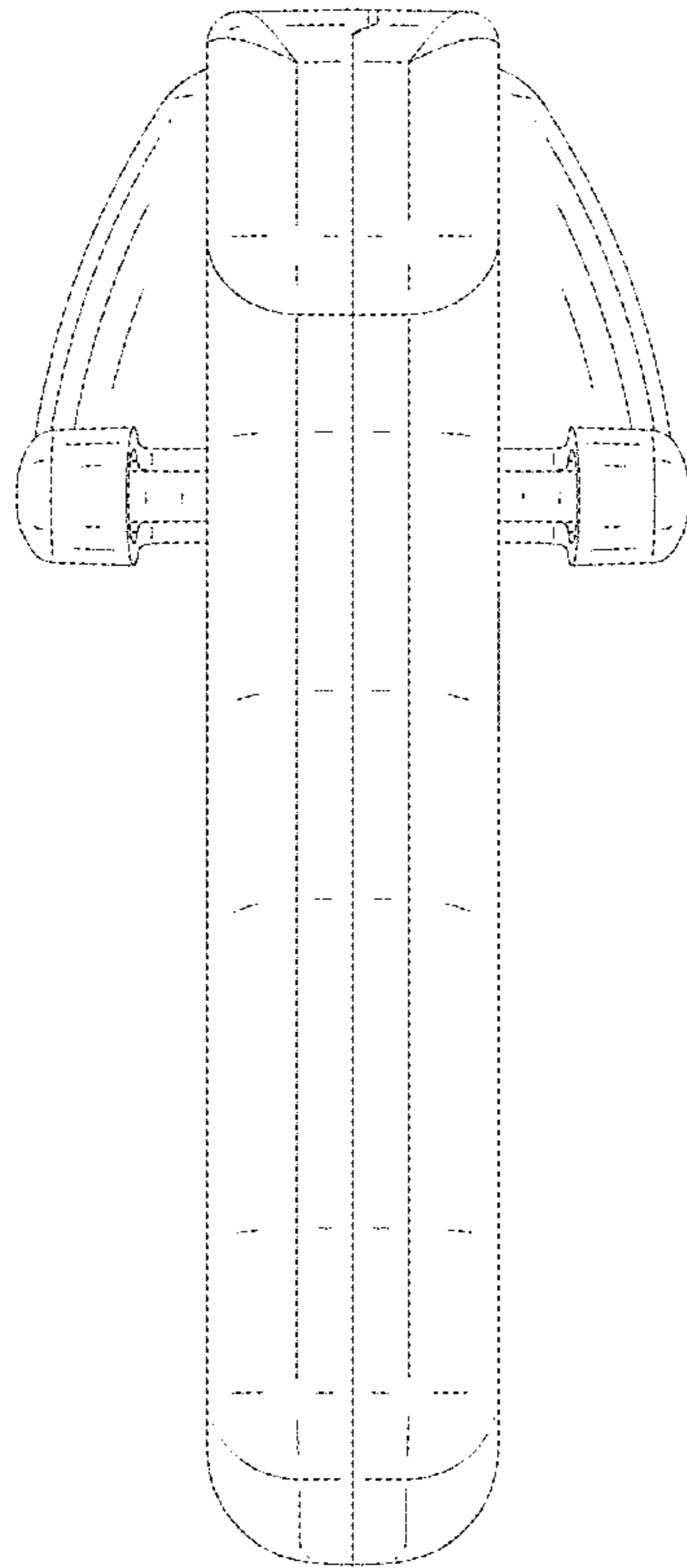


FIG.3

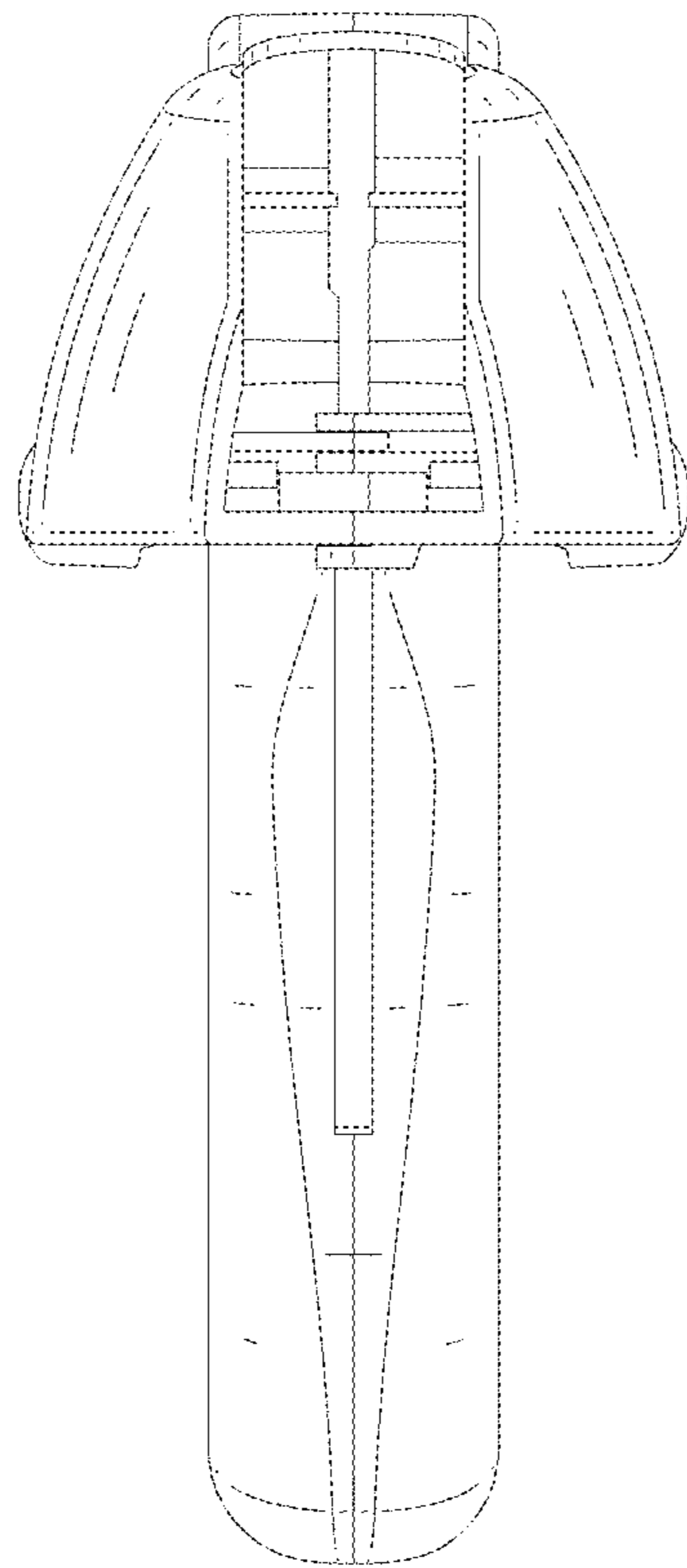


FIG.4

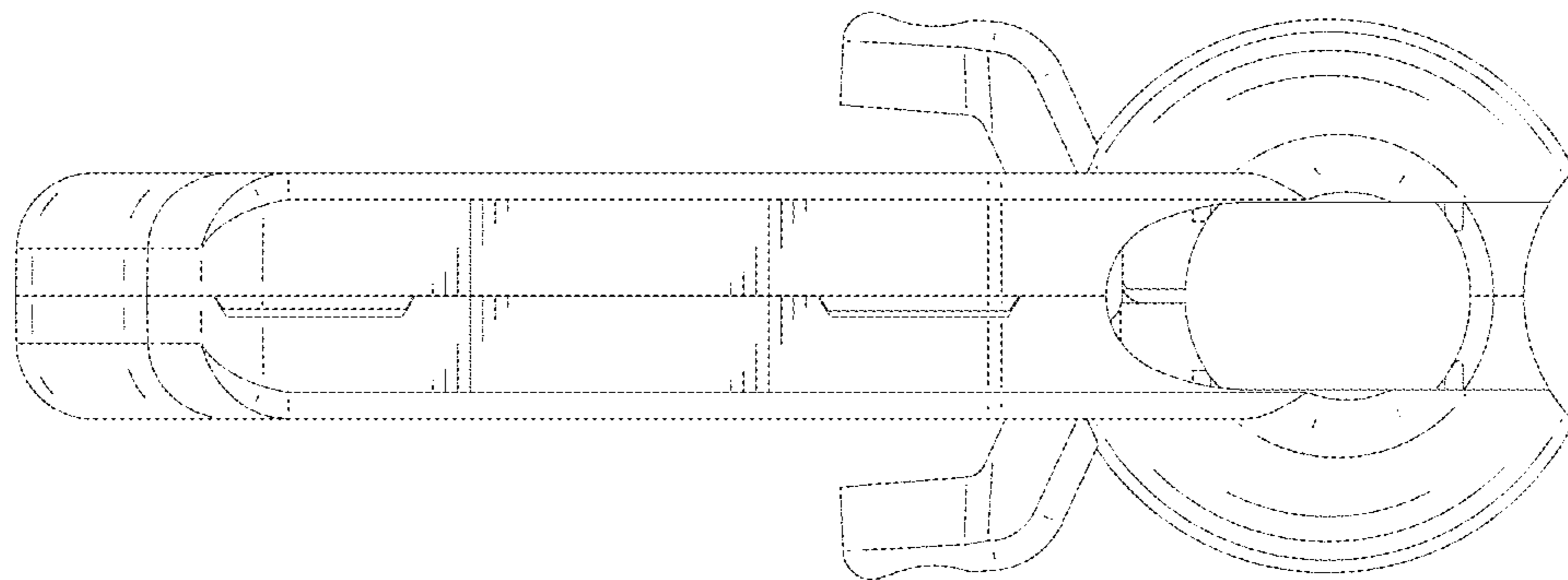


FIG.5

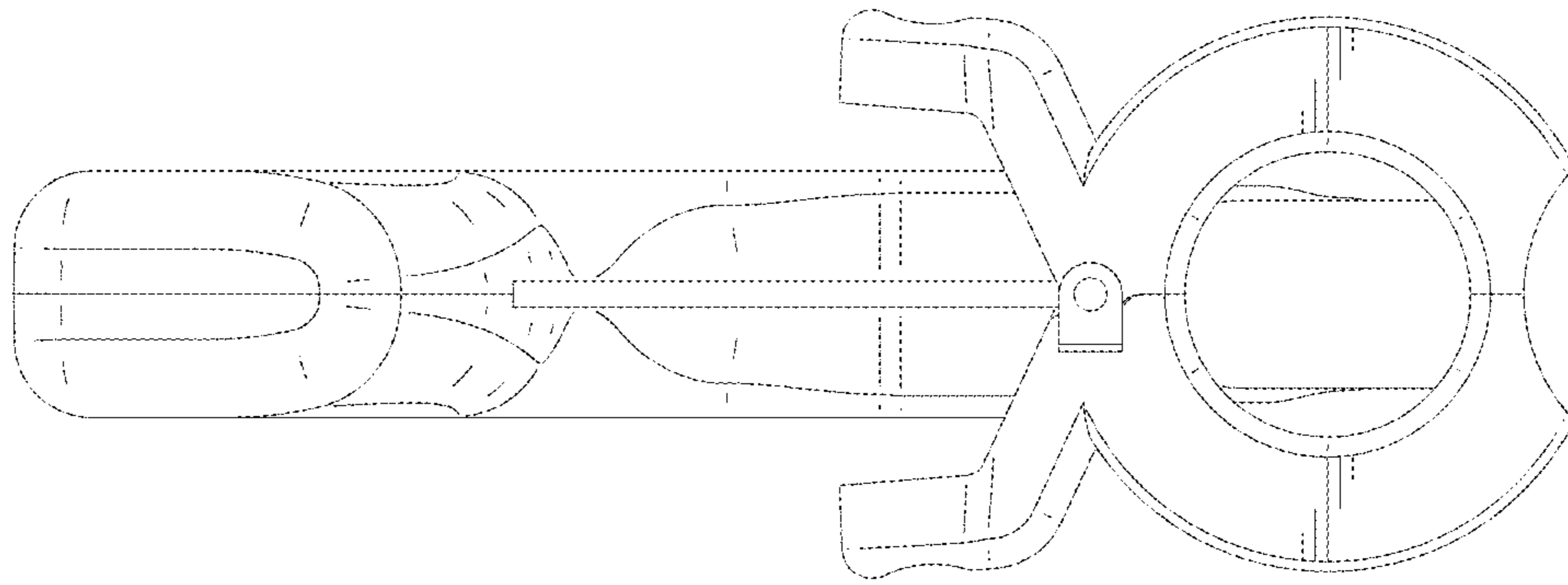


FIG.6

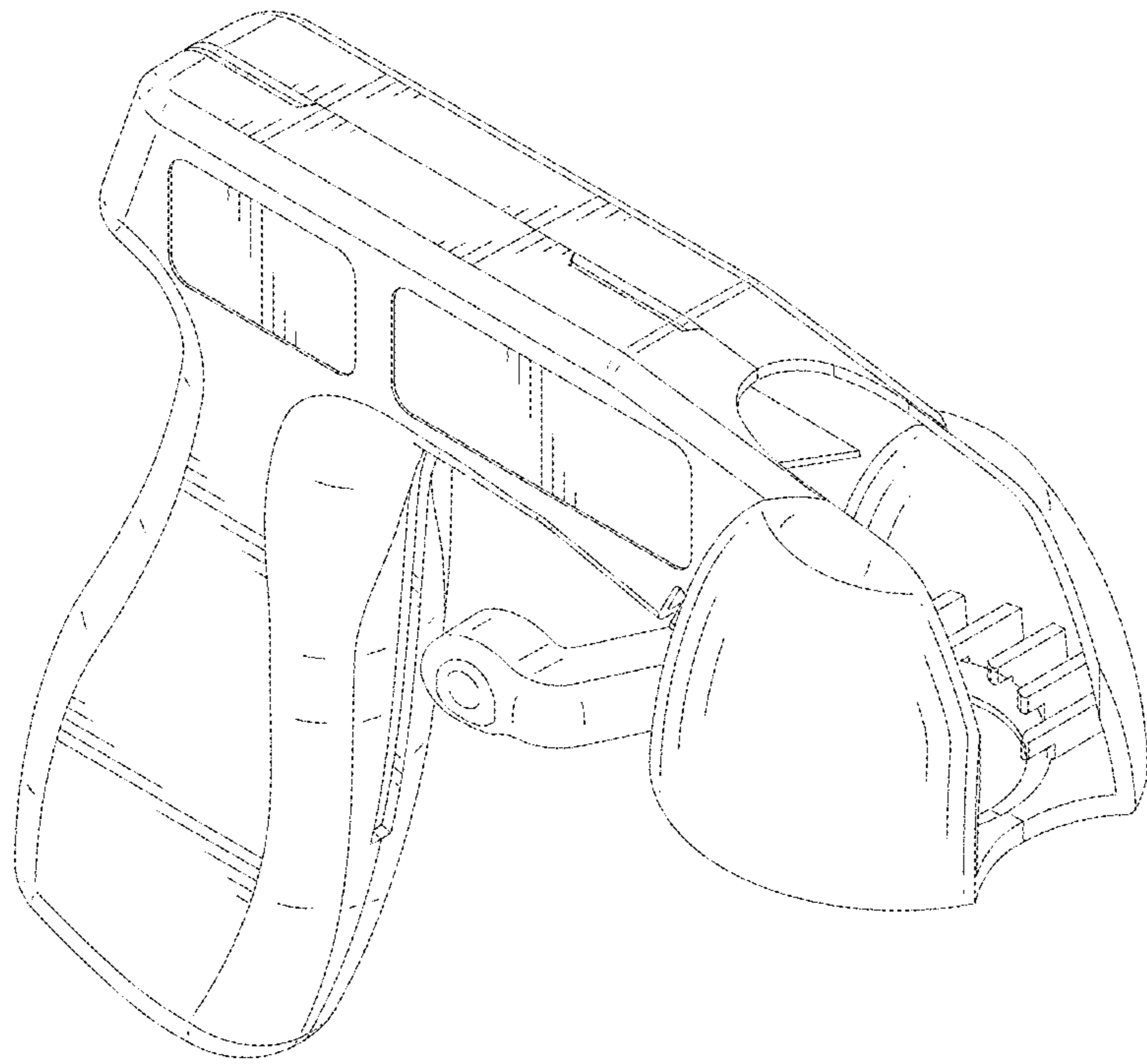


FIG.7



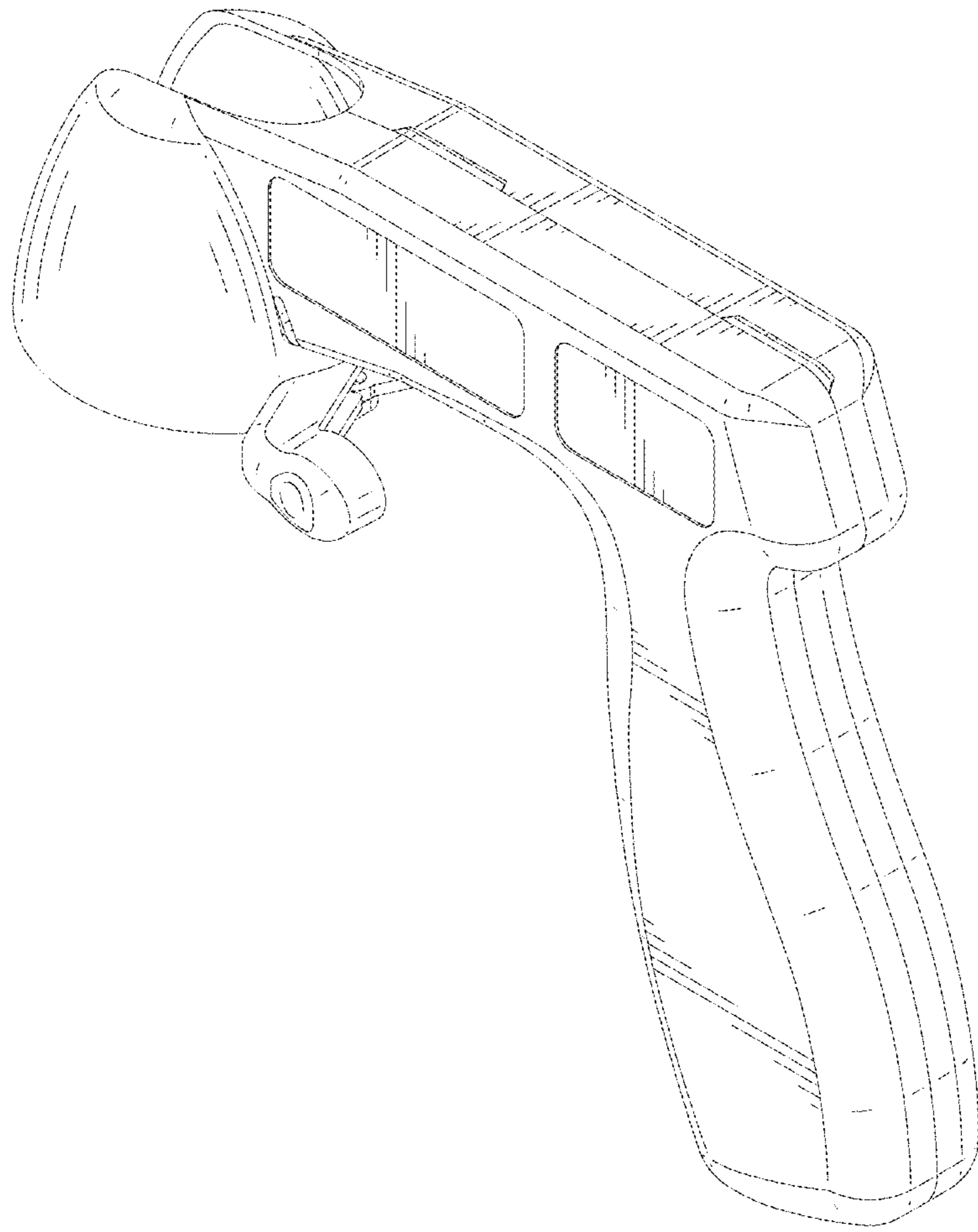


FIG.8

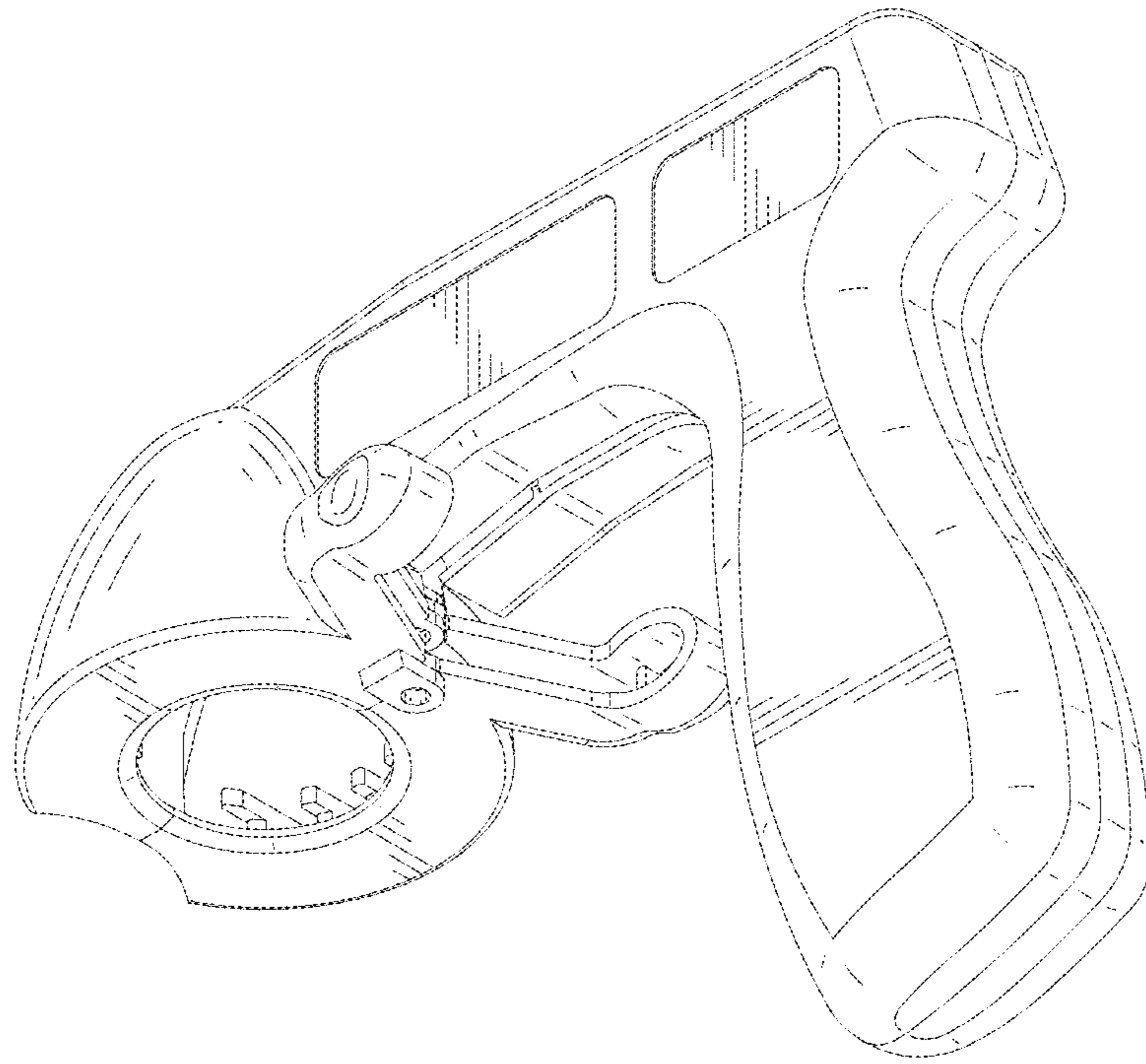


FIG.9

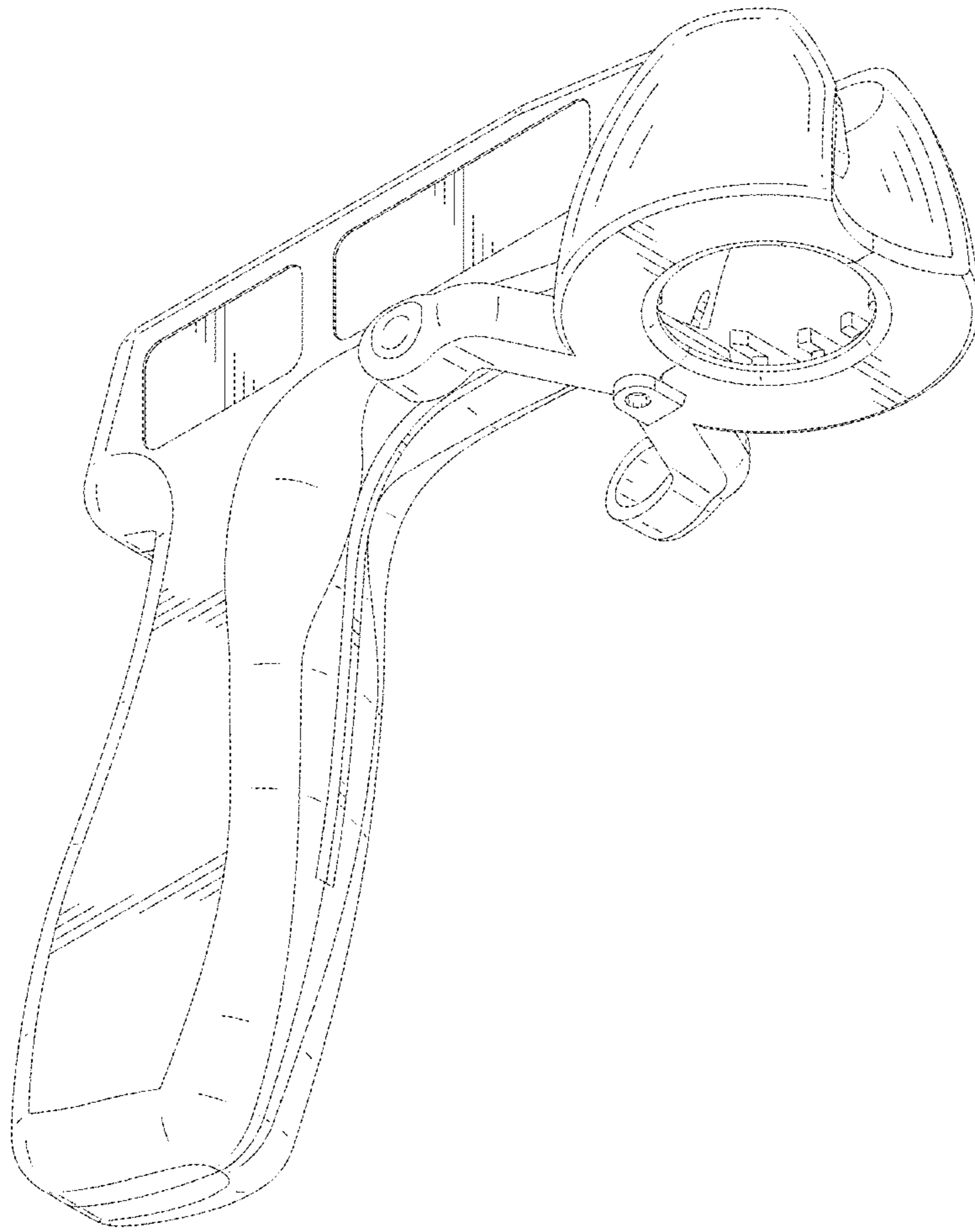


FIG.10