



US00D783774S

(12) **United States Design Patent**
Costantini et al.

(10) **Patent No.:** **US D783,774 S**
(45) **Date of Patent:** **** Apr. 11, 2017**

(54) **FILTER ASSEMBLY**

(71) Applicant: **ATLAS FILTRI s.r.l.**, Limena (Padua)
(IT)

(72) Inventors: **Giovanni Costantini**, Thiene (IT);
Damiano Moro, Masera'di Padova (IT)

(73) Assignee: **ATLAS FILTRI S.R.L.**, Limena
(Padua) (IT)

(**) Term: **15 Years**

(21) Appl. No.: **29/543,403**

(22) Filed: **Oct. 23, 2015**

(30) **Foreign Application Priority Data**

Aug. 28, 2015 (EM) 002762062

(51) **LOC (10) Cl.** **23-01**

(52) **U.S. Cl.**
USPC **D23/209**

(58) **Field of Classification Search**
USPC D23/207, 209; 210/232, 340, 341
CPC B01D 35/12
See application file for complete search history.

(56) **References Cited**

U.S. PATENT DOCUMENTS

2,333,609 A * 11/1943 Widmann B01D 35/12
210/333.1
4,615,800 A * 10/1986 Stifelman B01D 35/14
210/132
D290,638 S * 6/1987 Bishop D23/207

5,269,919 A * 12/1993 von Medlin B01D 61/04
210/256
5,876,610 A * 3/1999 Clack B01D 35/143
210/282
6,740,235 B2 * 5/2004 Gill B01D 35/30
210/232
D668,741 S * 10/2012 Choi D23/209

* cited by examiner

Primary Examiner — Robin V Webster

(74) *Attorney, Agent, or Firm* — R. Neil Sudol; Henry D. Coleman

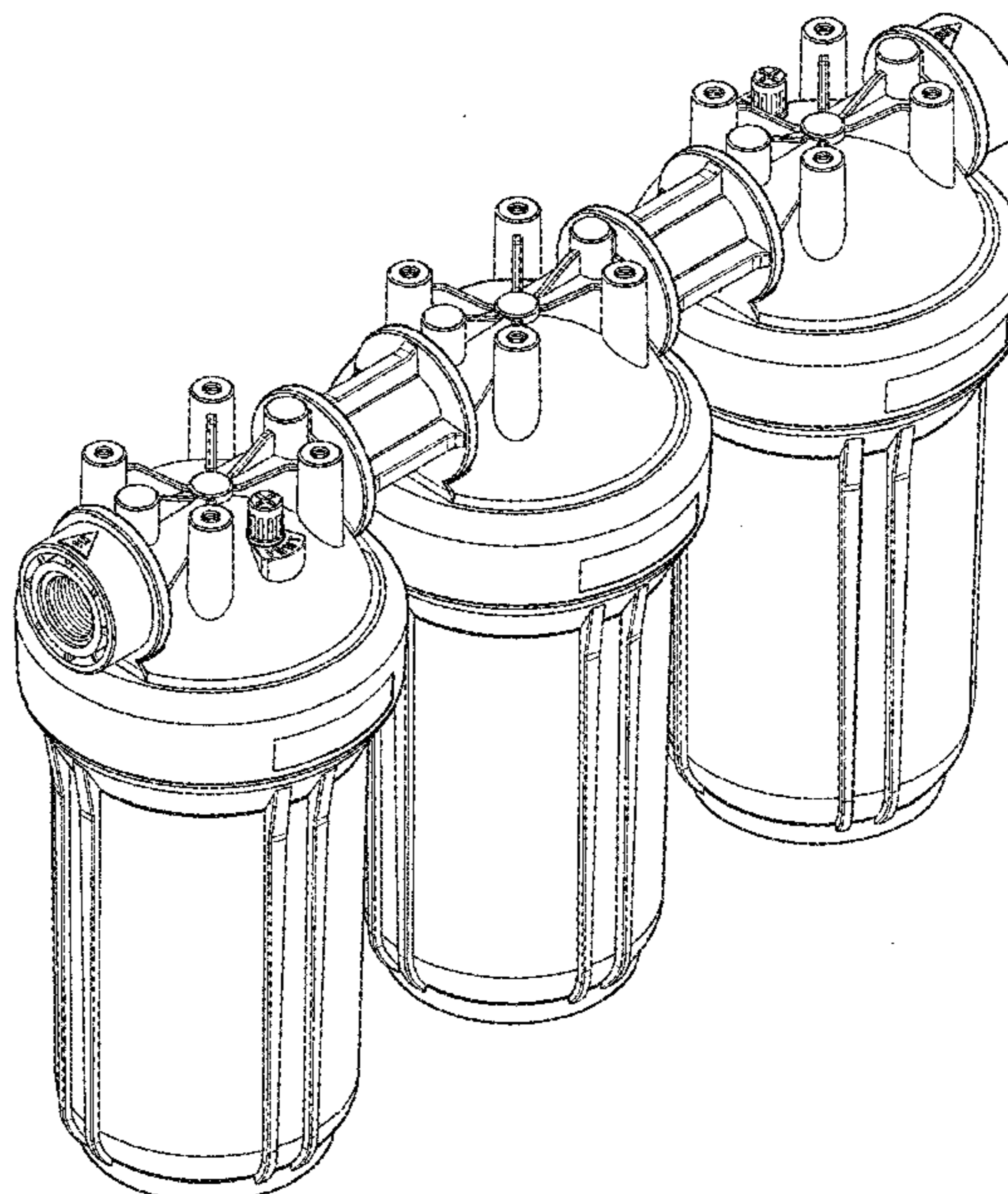
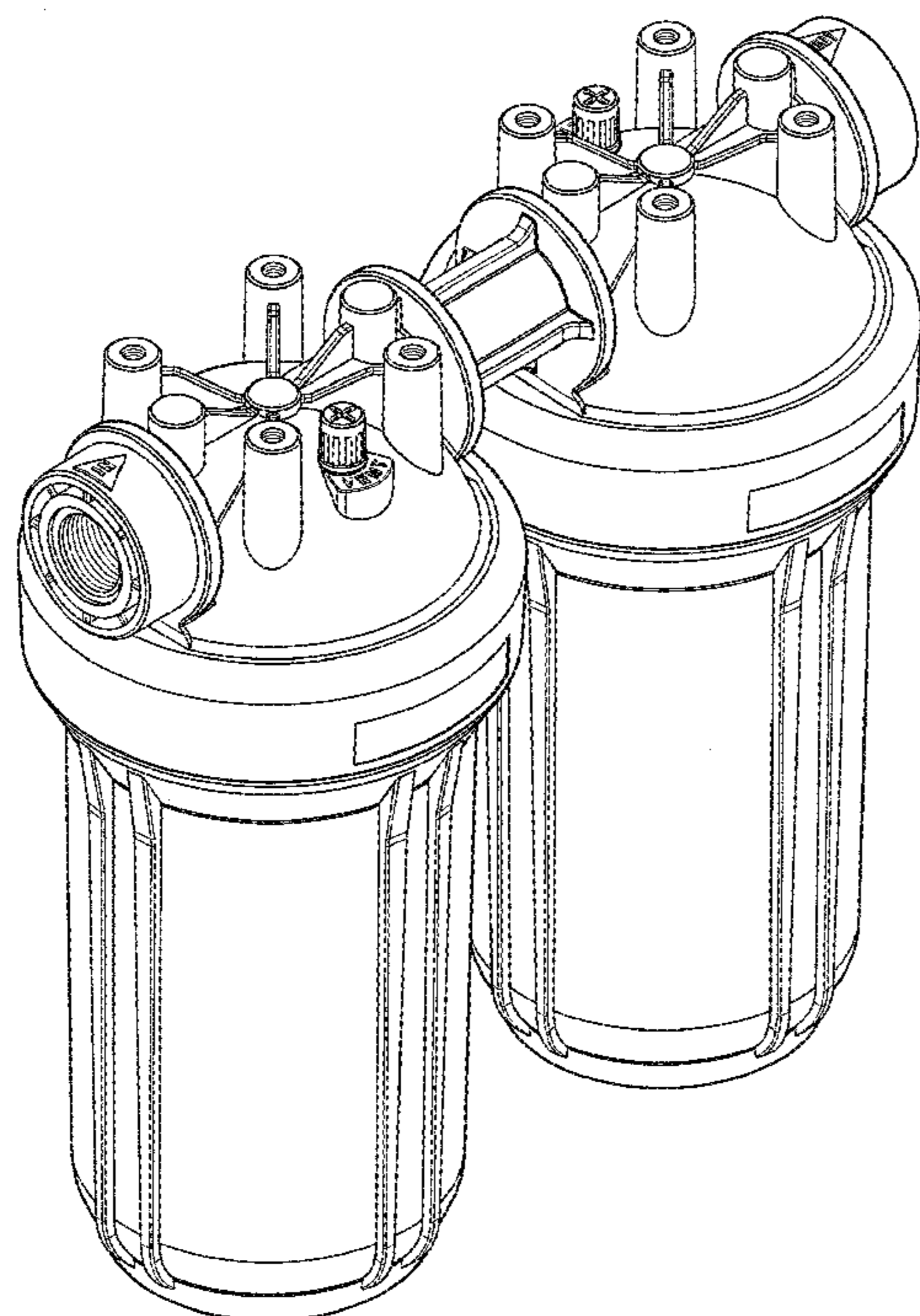
(57) **CLAIM**

The ornamental design for a filter assembly, as shown and described.

DESCRIPTION

FIG. 1 is a perspective view of a first embodiment of filter assembly, showing a new dual module design with in accordance with the present invention; FIG. 2 is front elevational view thereof; FIG. 3 is side elevational view thereof; FIG. 4 is an opposite side elevational view thereof; FIG. 5 is a top plan view thereof; FIG. 6 is a bottom plan view thereof; FIG. 7 is a perspective view of a second embodiment of filter assembly, showing a new triple module design with in accordance with the present invention; FIG. 8 is front elevational view thereof; FIG. 9 is side elevational view thereof; FIG. 10 is an opposite side elevational view thereof; FIG. 11 is a top plan view thereof; and, FIG. 12 is a bottom plan view thereof.

1 Claim, 8 Drawing Sheets



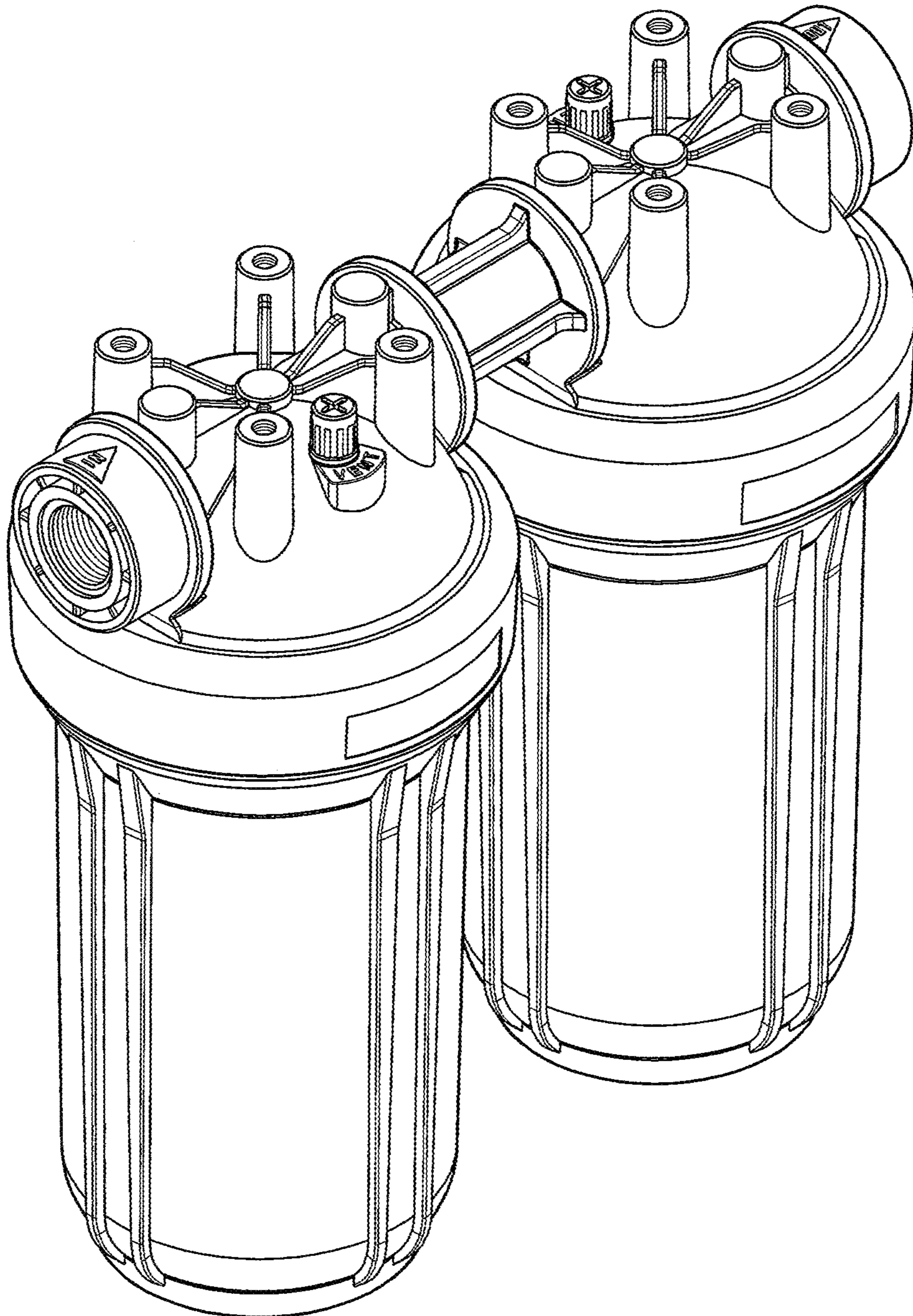


Fig. 1

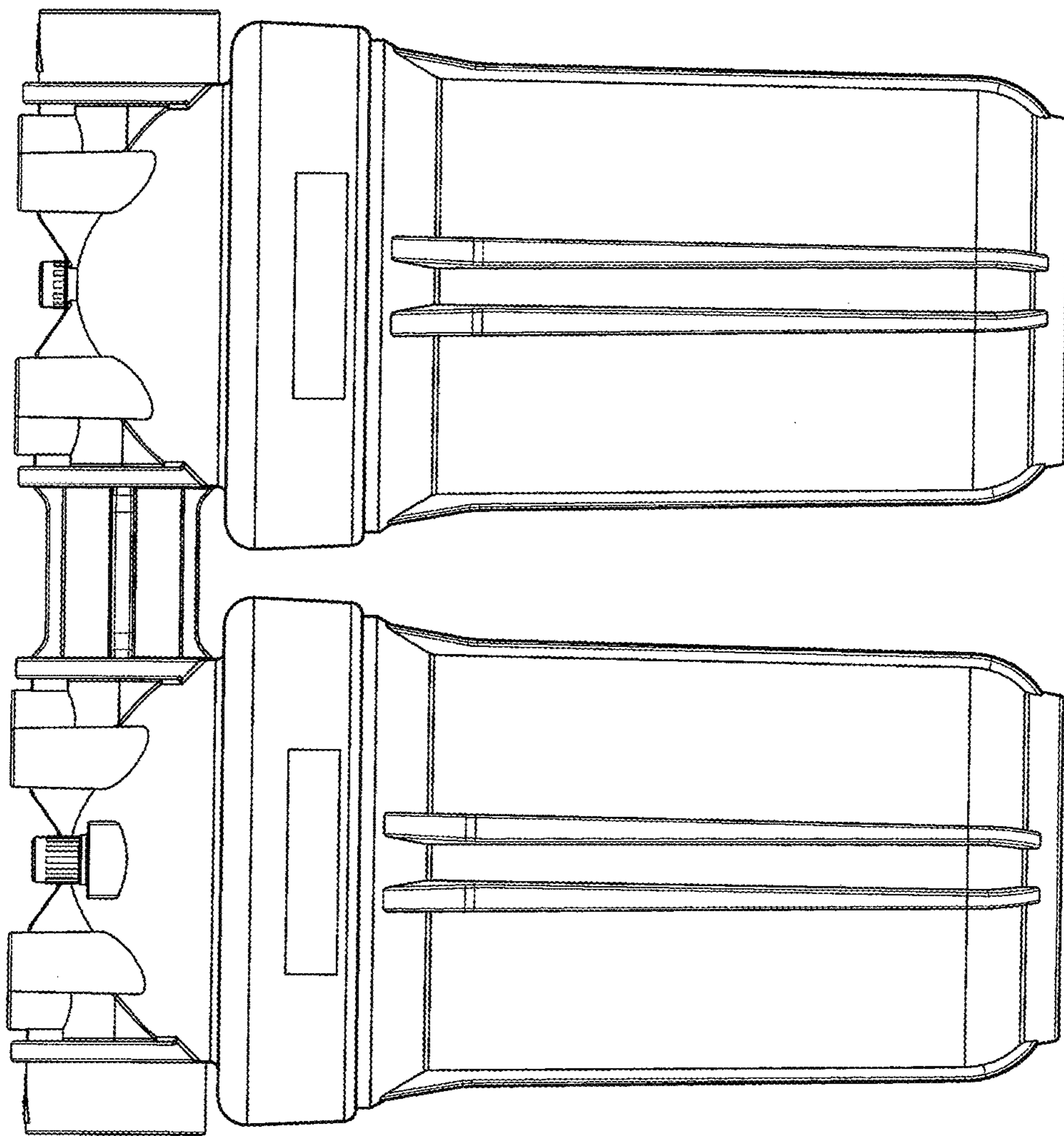


Fig. 2

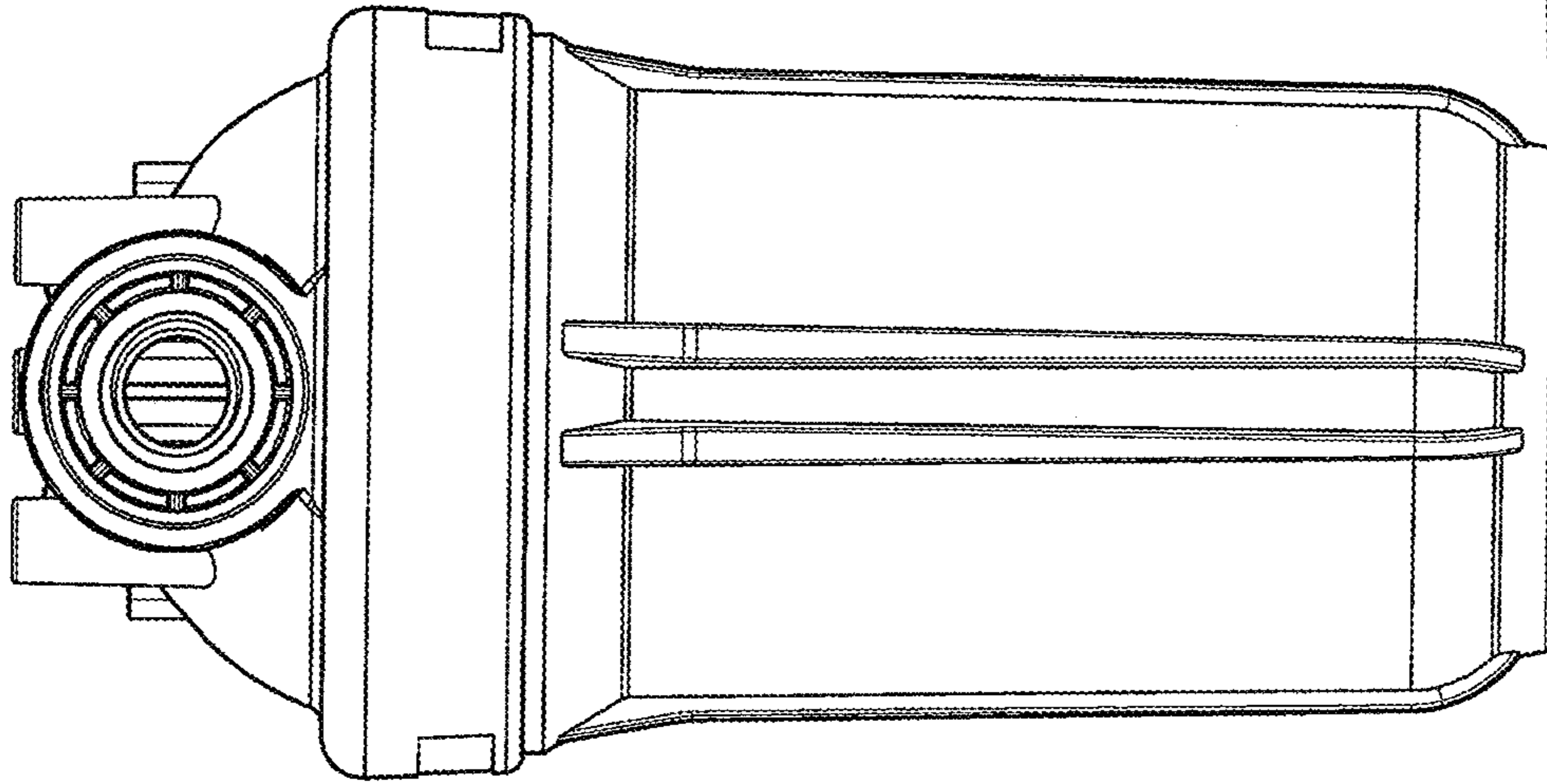


Fig. 4

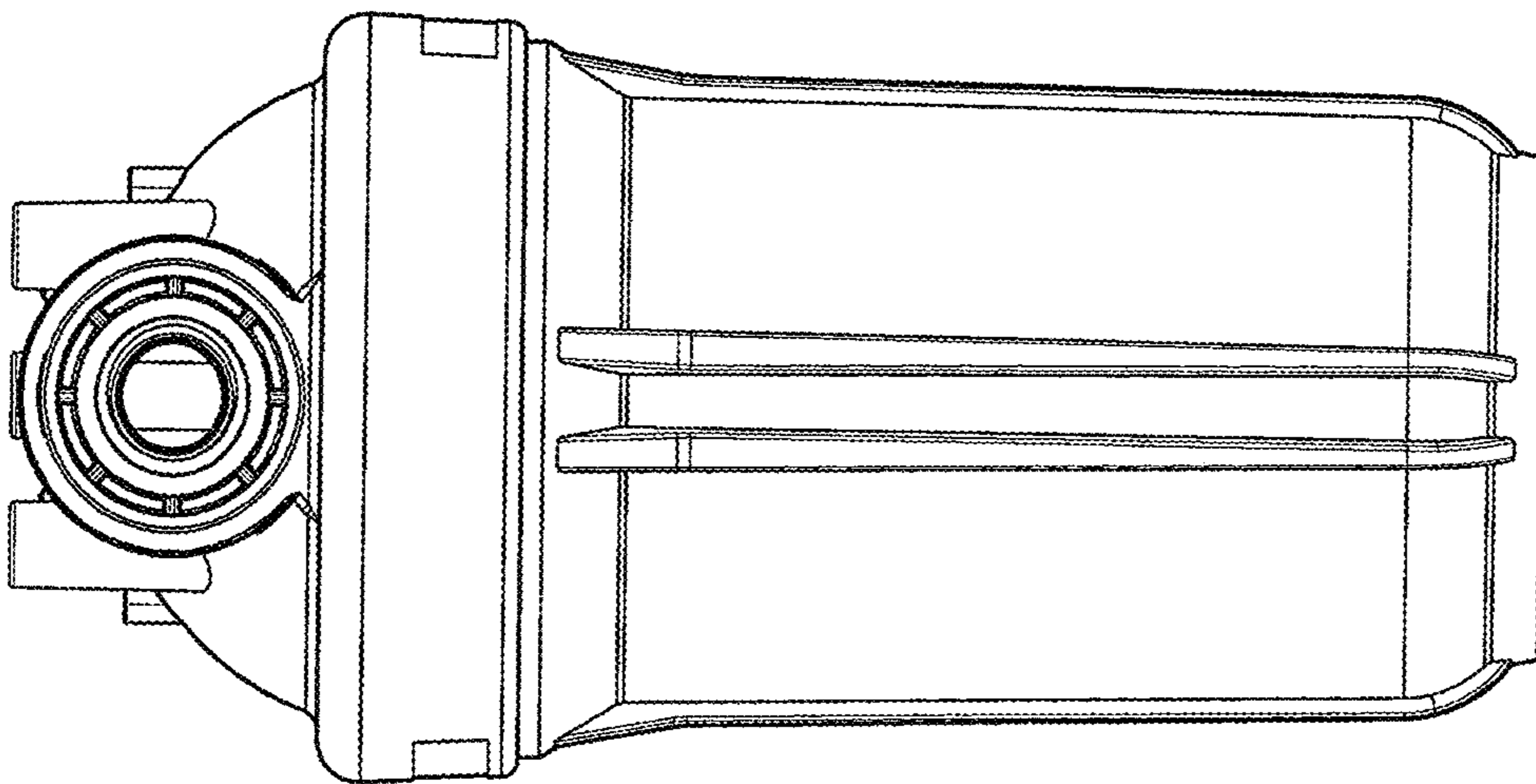


Fig. 3

Fig. 5

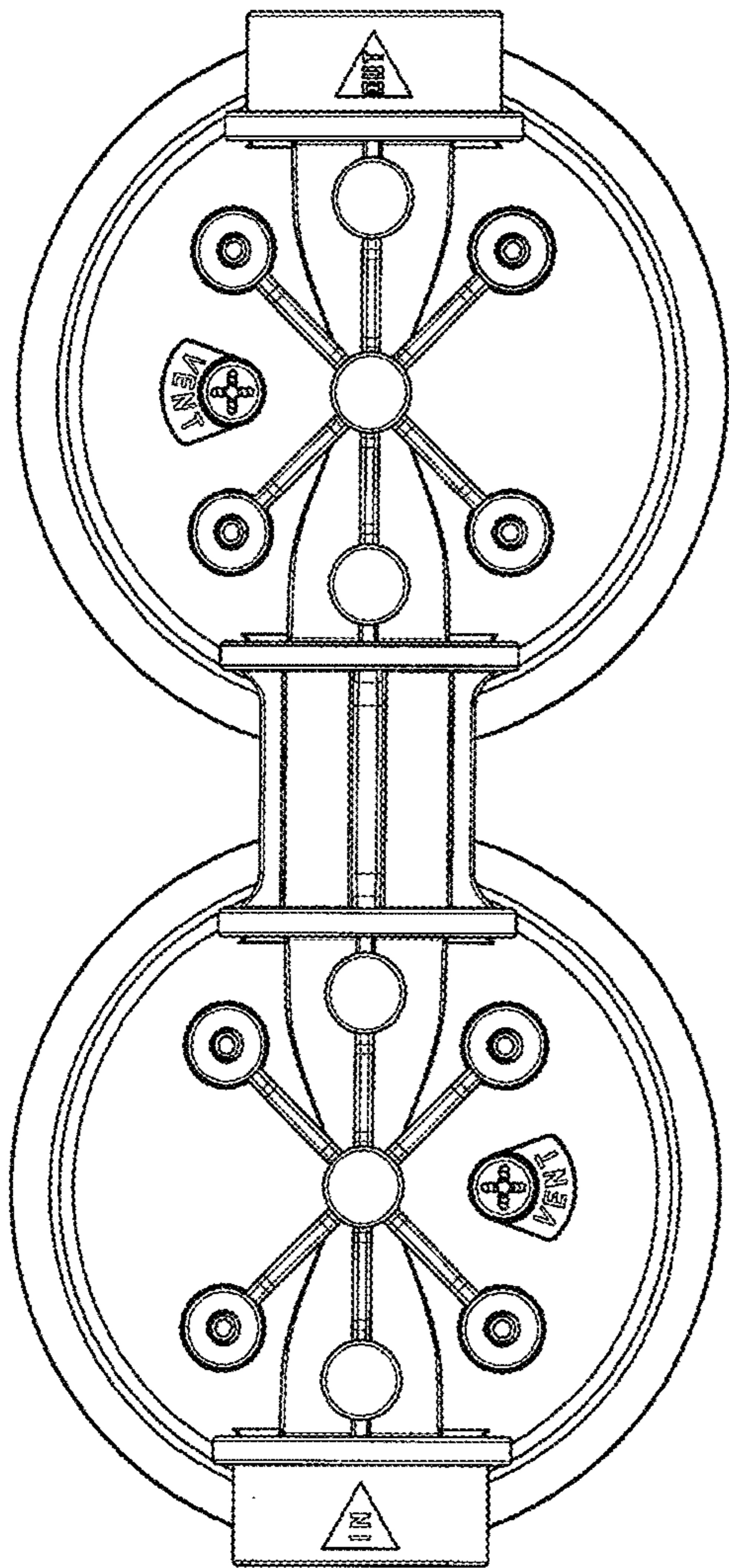
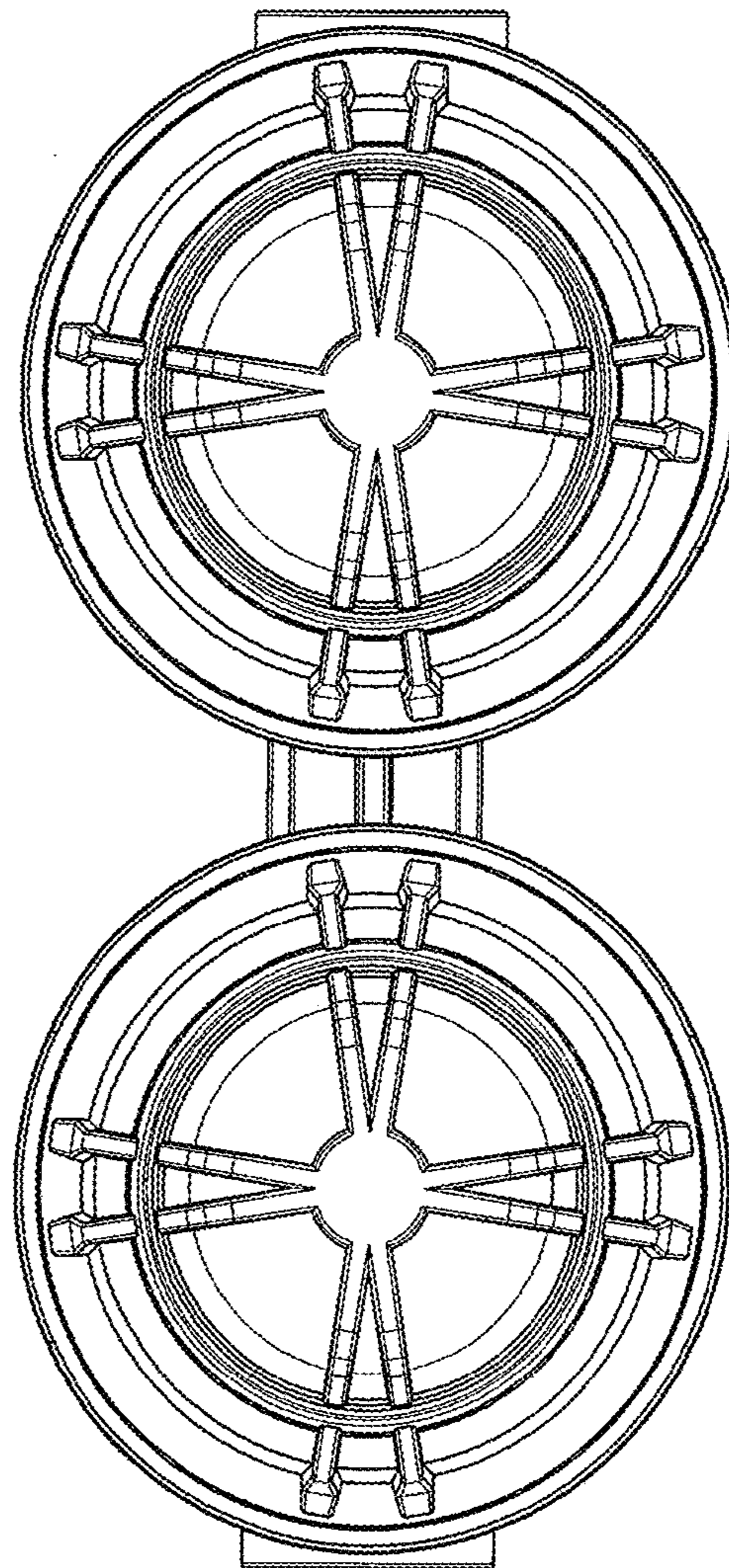


Fig. 6



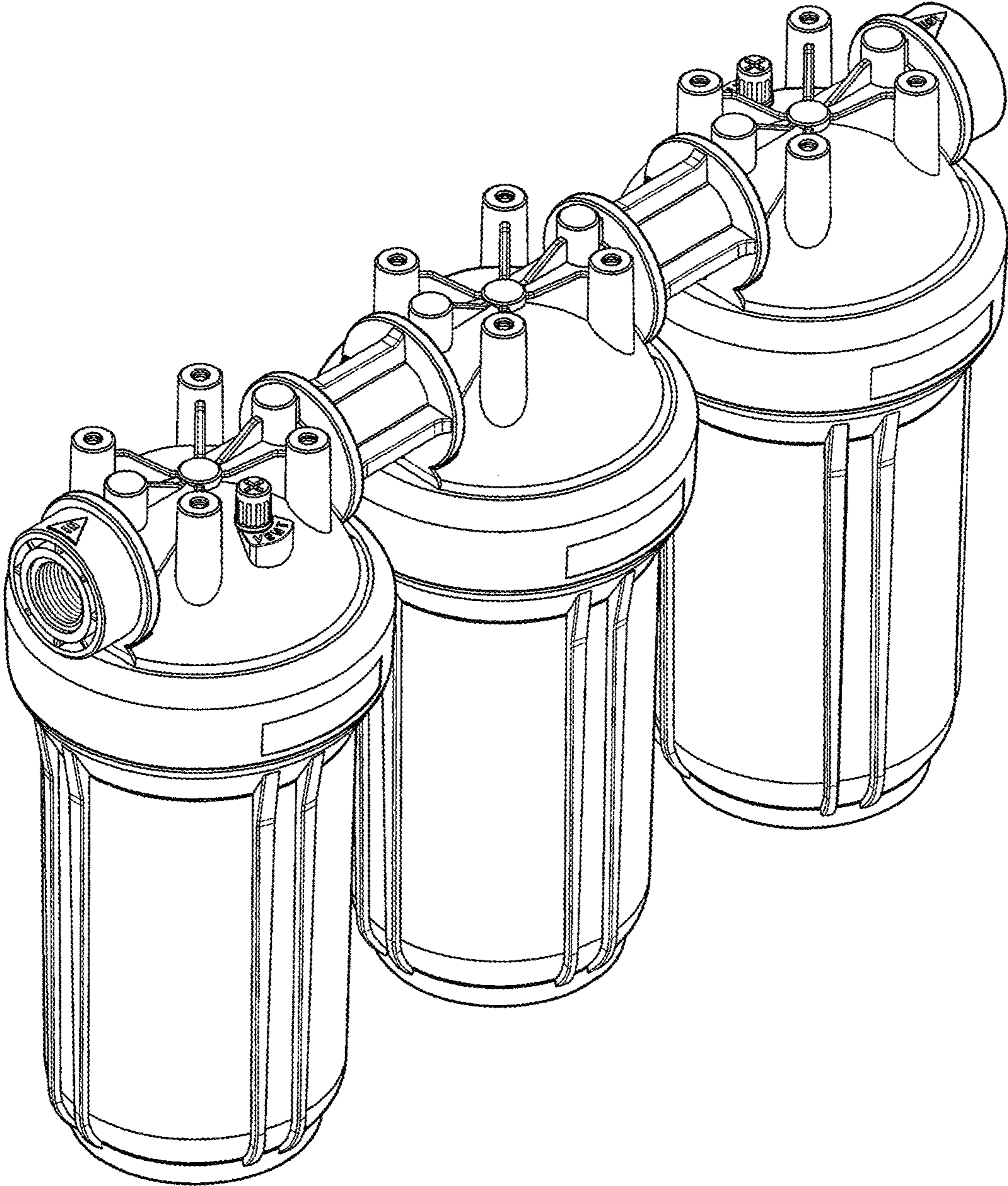


Fig. 7

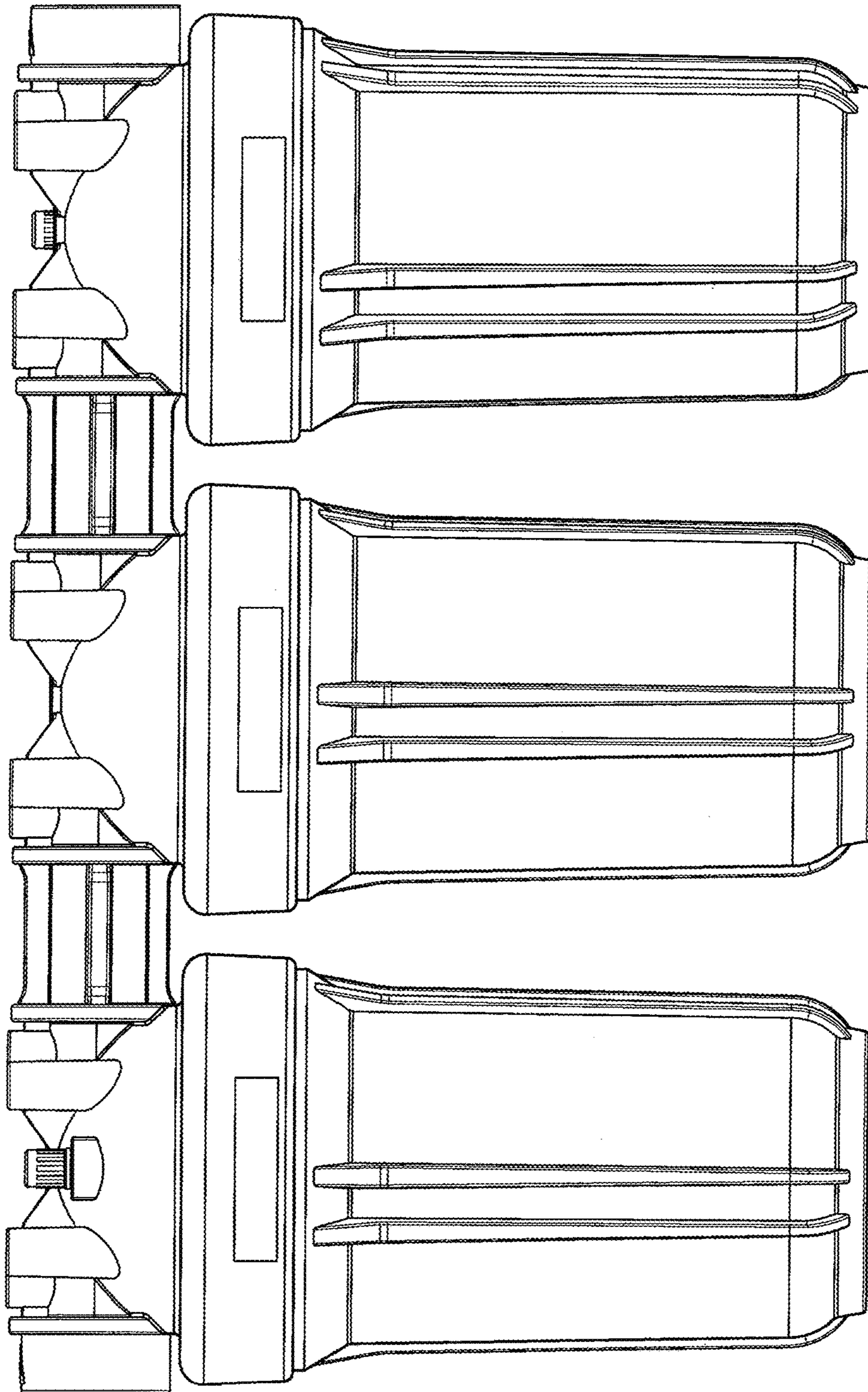


Fig. 8

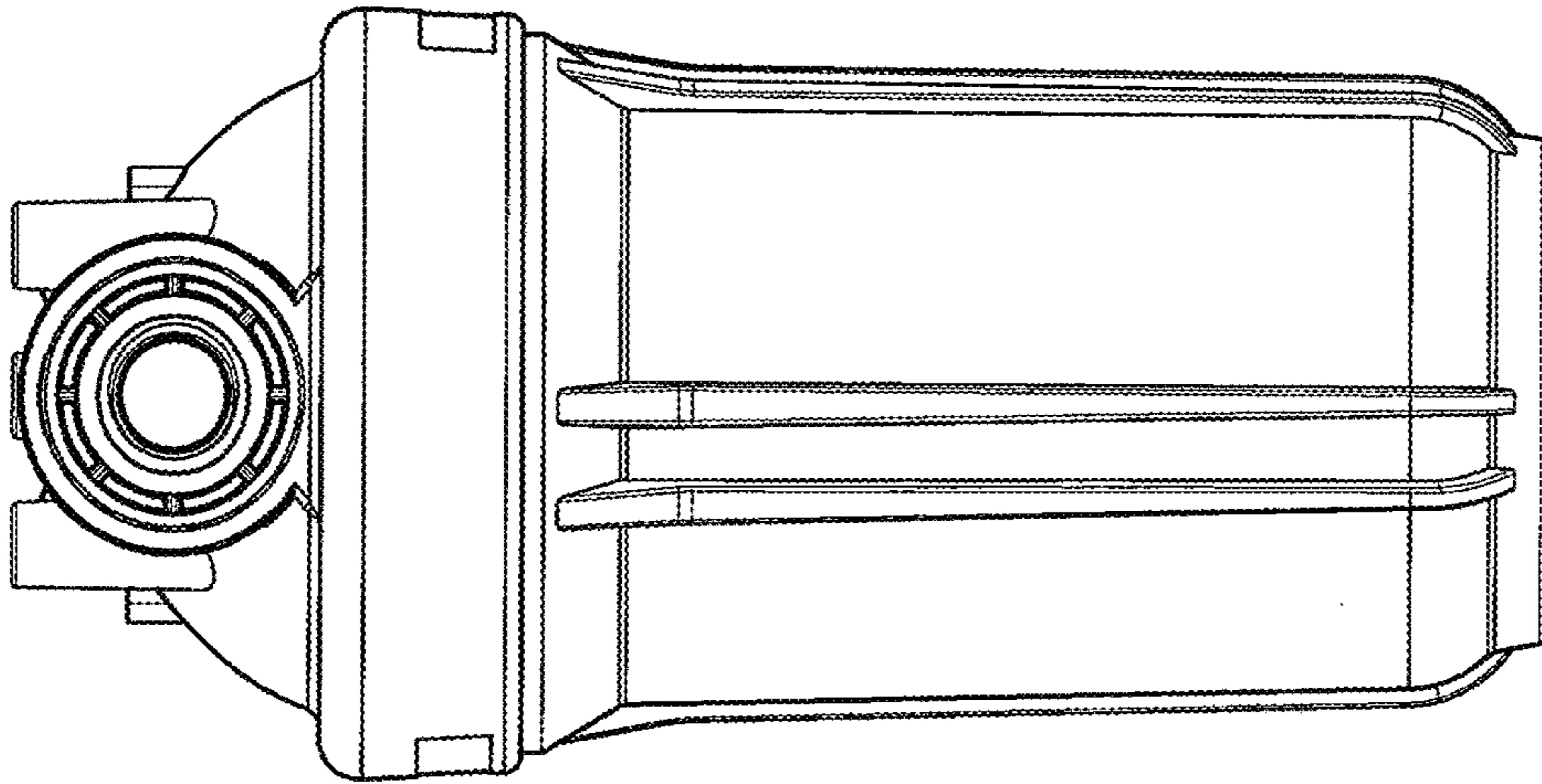


Fig. 10

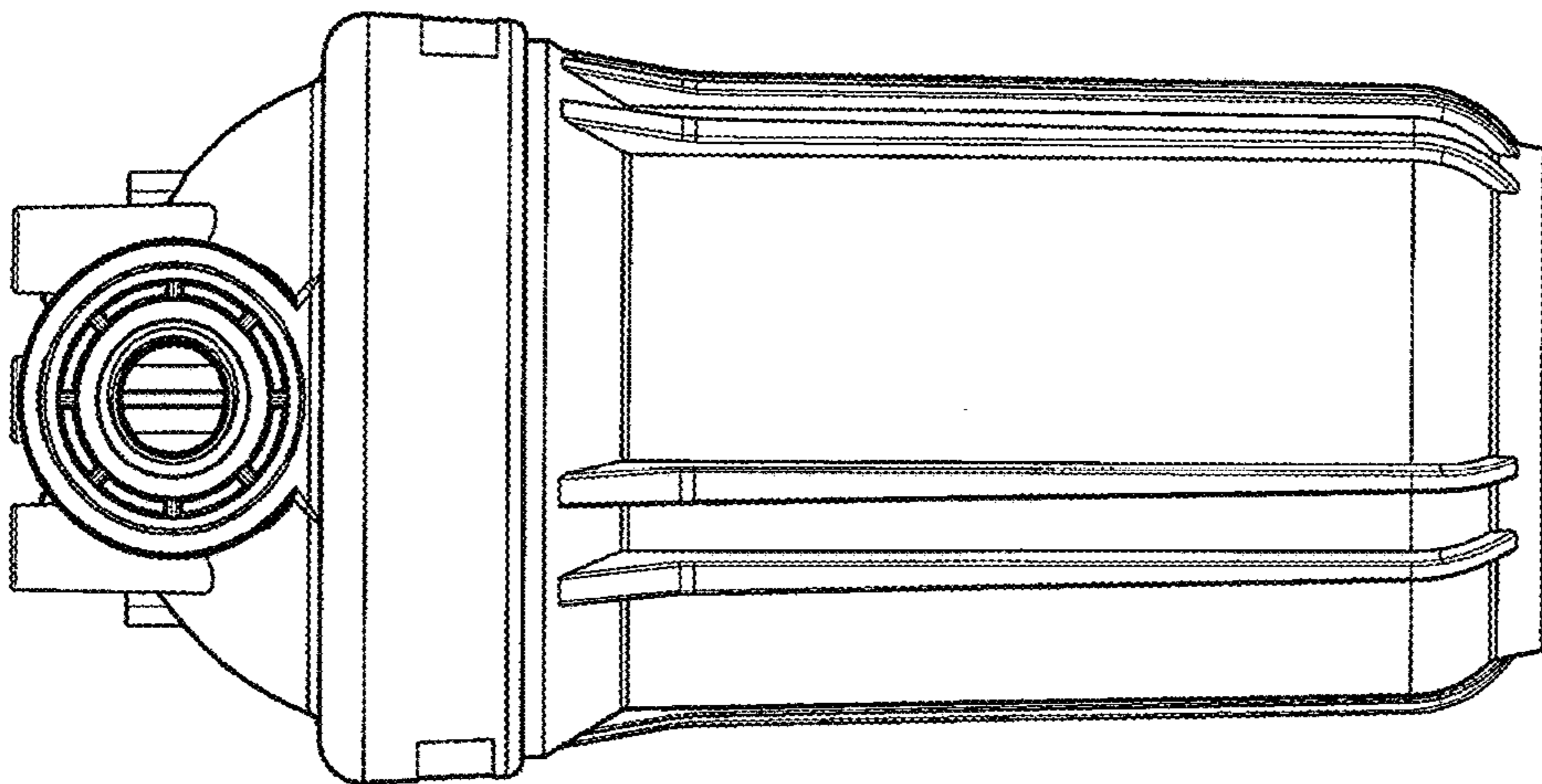


Fig. 9

