



US00D783772S

(12) **United States Design Patent** (10) **Patent No.:** **US D783,772 S**
Stegemoeller, III et al. (45) **Date of Patent:** **** Apr. 11, 2017**

(54) **SOFT-SIDED PROPPANT CONTAINER**

(71) Applicant: **HALLIBURTON ENERGY SERVICES, INC.**, Houston, TX (US)

(72) Inventors: **Calvin L. Stegemoeller, III**, Duncan, OK (US); **Thomas W. Hawkins**, Marlow, OK (US); **Bryan Chapman Lucas**, Duncan, OK (US); **Wesley John Warren**, Marlow, OK (US)

(73) Assignee: **HALLIBURTON ENERGY SERVICES, INC.**, Houston, TX (US)

(**) Term: **15 Years**

(21) Appl. No.: **29/557,056**

(22) Filed: **Mar. 4, 2016**

(51) **LOC (10) Cl.** **23-01**

(52) **U.S. Cl.**
USPC **D23/202**

(58) **Field of Classification Search**
USPC D23/202, 207, 210, 221, 223, 214, 209;
D9/500, 501, 414, 506, 430
CPC A62C 37/12; A62C 35/68; B65G 64/04;
B65G 1/00; B65D 85/00; B65D 1/00;
B65D 88/54; B05B 7/2408; B05B
7/2416; B05B 7/24838; C02F 1/003;
C02F 1/283; C02F 9/005; A01K 63/045
See application file for complete search history.

(56) **References Cited**

U.S. PATENT DOCUMENTS

2,894,666 A 7/1959 Campbell
3,318,473 A 5/1967 Jones et al.
D235,096 S * 5/1975 Mohr D23/202
D273,523 S * 4/1984 DiSesa D3/307
D282,880 S * 3/1986 Barati D30/114

D320,055 S * 9/1991 Parker D23/202
D413,702 S * 9/1999 Essary D34/38
6,968,946 B2 11/2005 Shuert
7,252,309 B2 8/2007 Eng Soon et al.
D670,080 S * 11/2012 James D3/304
D688,349 S 8/2013 Oren et al.
D688,350 S 8/2013 Oren et al.
D688,351 S 8/2013 Oren et al.
D688,772 S 8/2013 Oren et al.
8,505,780 B2 8/2013 Oren
8,585,341 B1 11/2013 Oren et al.
8,668,430 B2 3/2014 Oren et al.
8,827,118 B2 9/2014 Oren
D723,225 S * 2/2015 Lee D30/108
8,944,740 B2 2/2015 Teichrob et al.
9,051,801 B1 * 6/2015 Mintz B65D 90/046
D740,556 S * 10/2015 Huber D3/272
RE45,788 E * 11/2015 Oren D23/202

(Continued)

Primary Examiner — Robin V Webster

Assistant Examiner — Rachel Voorhies

(74) *Attorney, Agent, or Firm* — Polsinelli PC

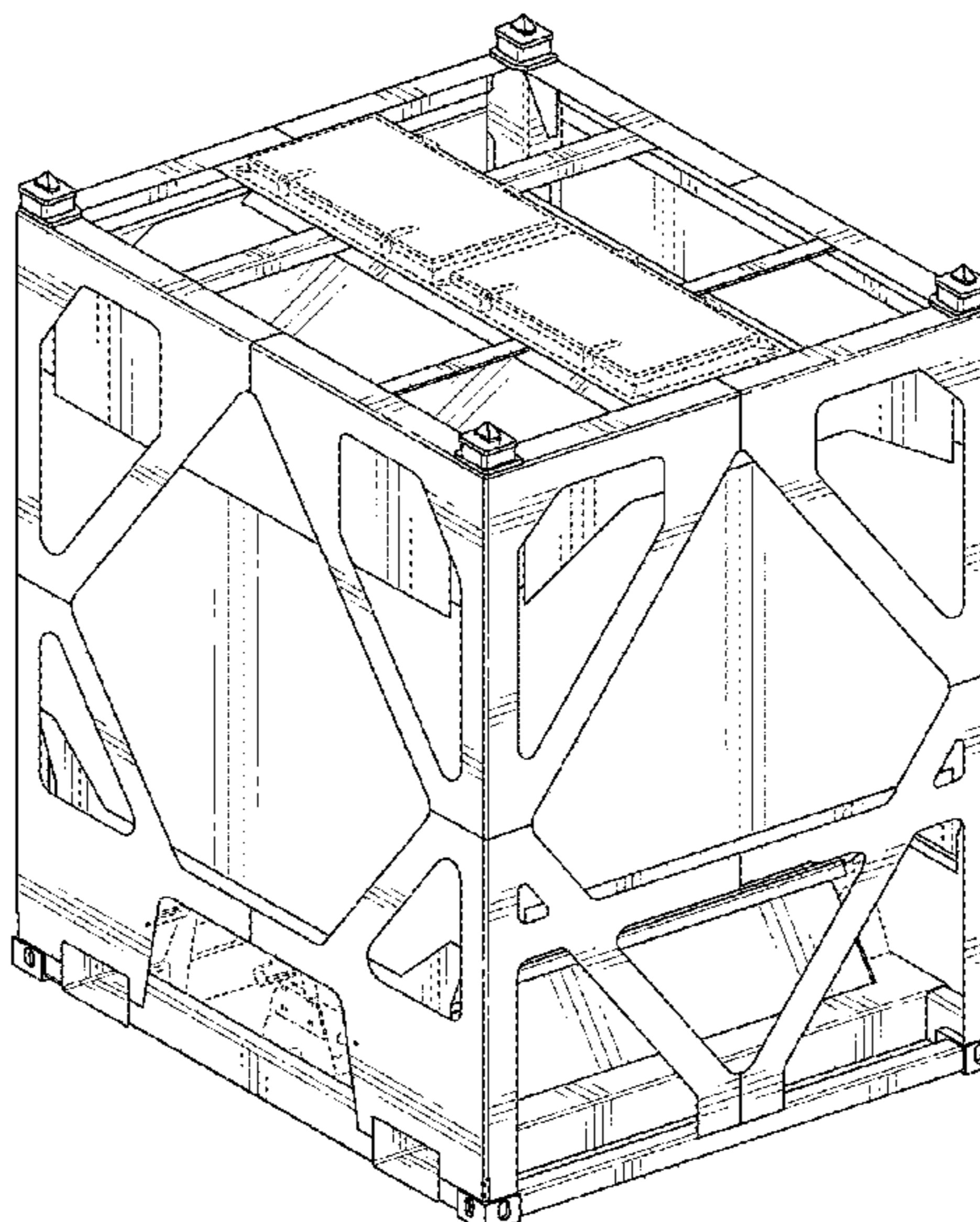
(57) **CLAIM**

We claim the ornamental design for a soft-sided proppant container, as shown and described.

DESCRIPTION

FIG. 1 is a perspective view of a embodiment of a soft-sided proppant container, showing my new design; FIG. 2 is a rear elevational view thereof; FIG. 3 is a front elevational view thereof; FIG. 4 is a left side plan view thereof; FIG. 5 is a right side plan view thereof; FIG. 6 is a top elevational view thereof; and, FIG. 7 is a bottom elevational view thereof. Broken lines are for illustrating unclaimed portions of the soft-sided proppant container, the broken lines form no part of the claimed design.

1 Claim, 7 Drawing Sheets



(56)

References Cited

U.S. PATENT DOCUMENTS

D746,943 S * 1/2016 Hart D23/207
 RE45,914 E * 3/2016 Oren D23/202
 D761,379 S * 7/2016 Hart D23/202
 2010/0025337 A1* 2/2010 Yencho C02F 1/325
 210/748.1
 2010/0187192 A1* 7/2010 Ness B65D 88/022
 211/71.01
 2011/0011893 A1 1/2011 Cerny
 2013/0004272 A1* 1/2013 Mintz B65D 88/54
 414/304
 2013/0206415 A1 8/2013 Sheesley
 2014/0020892 A1* 1/2014 Oren B65G 65/42
 166/280.1
 2014/0023465 A1* 1/2014 Oren B65G 65/40
 414/288
 2014/0028037 A1* 1/2014 Ness B65D 19/00
 294/68.1

2014/0083554 A1 3/2014 Harris
 2014/0109992 A1* 4/2014 Ness B65D 19/385
 137/376
 2014/0246341 A1 9/2014 Oren
 2014/0286716 A1 9/2014 Cochrum et al.
 2014/0299226 A1 10/2014 Oren et al.
 2015/0086307 A1 3/2015 Stefan
 2015/0284194 A1* 10/2015 Oren B65D 88/30
 414/373
 2015/0375930 A1* 12/2015 Oren B65D 88/30
 414/808
 2016/0031658 A1* 2/2016 Oren B65G 69/185
 414/411
 2016/0039433 A1* 2/2016 Oren B61D 3/20
 414/802
 2016/0122125 A1* 5/2016 Friesen B65D 88/54
 414/304
 2016/0130095 A1* 5/2016 Oren B65G 65/40
 414/414

* cited by examiner

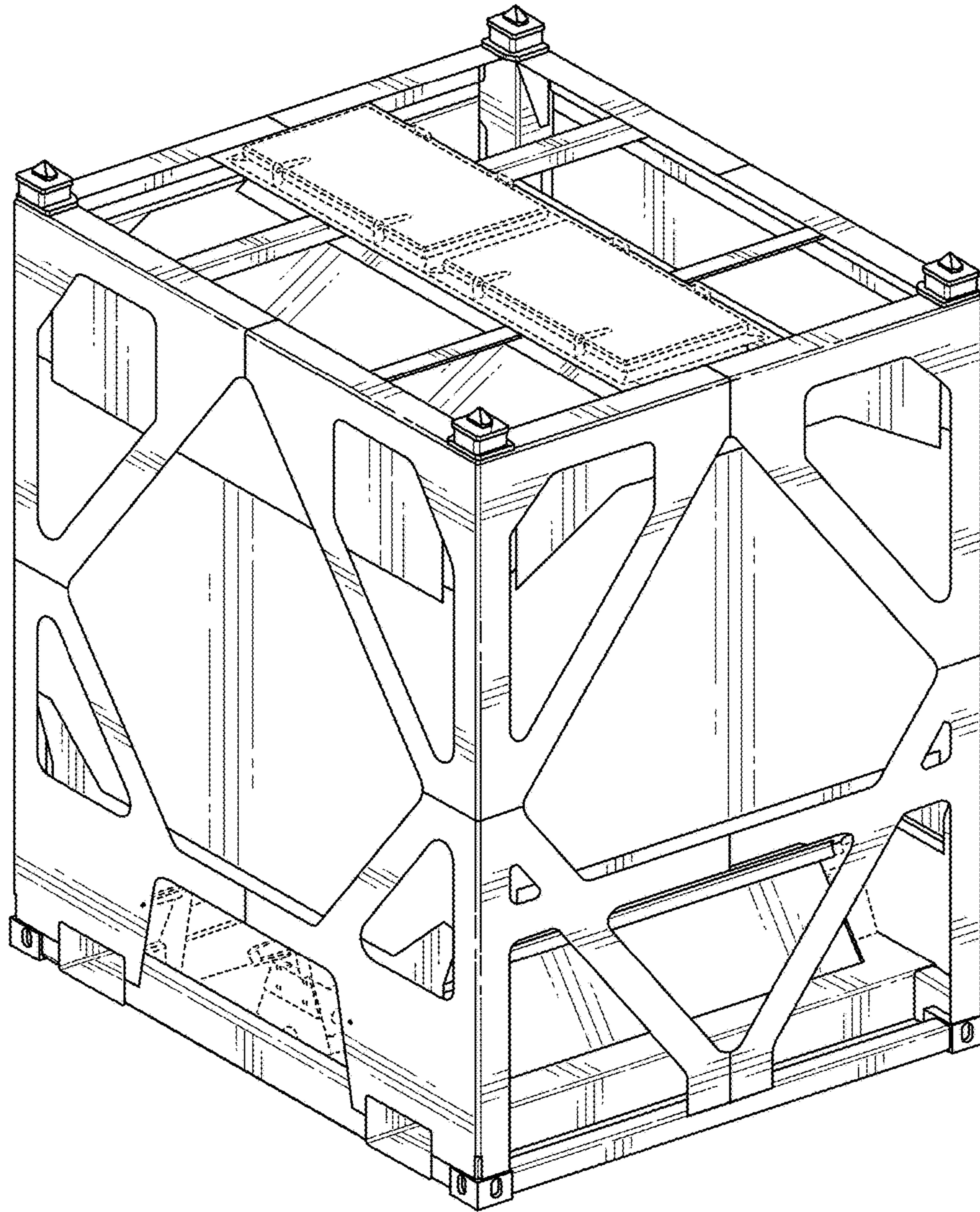


FIG. 1

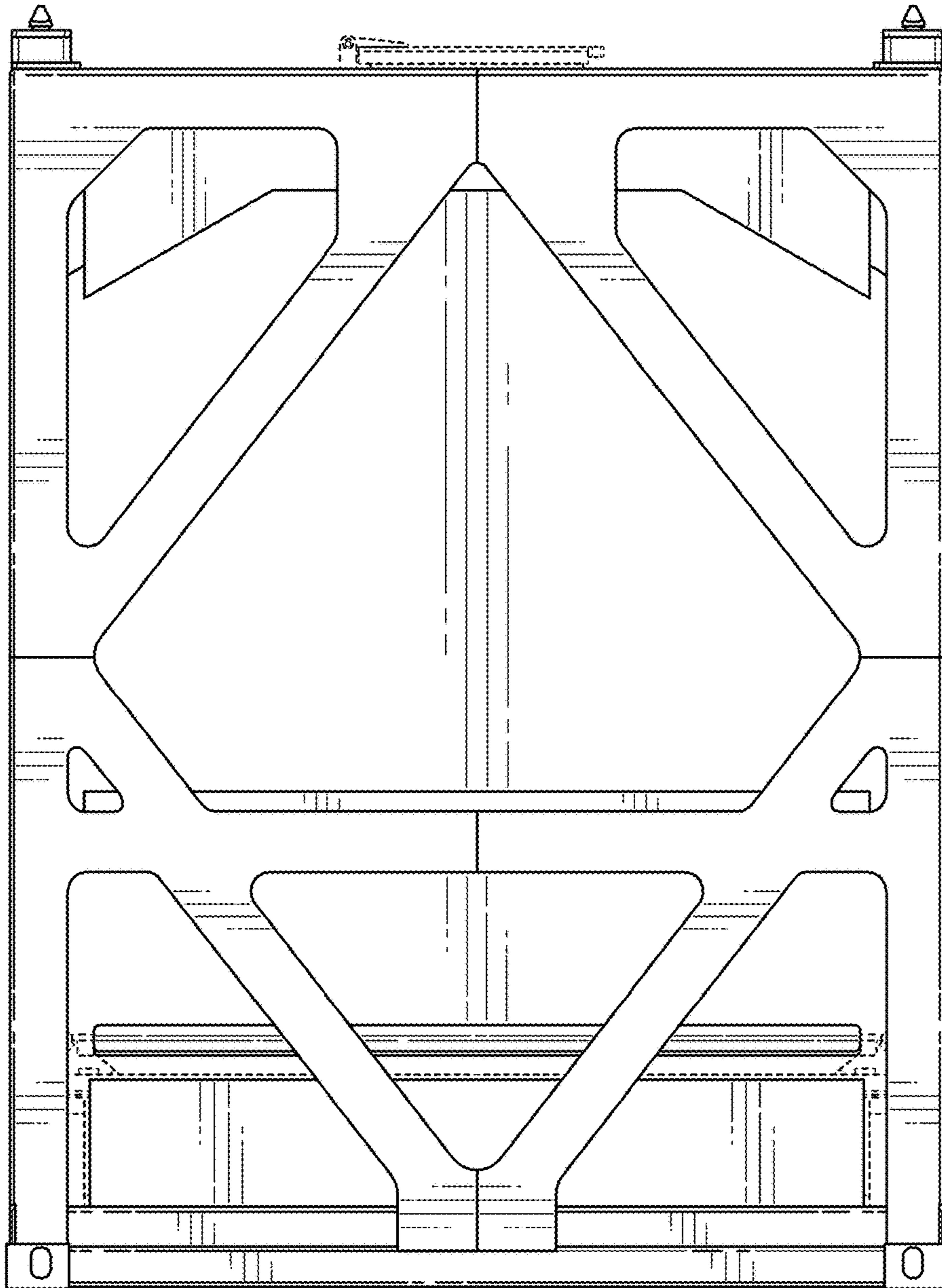


FIG. 2

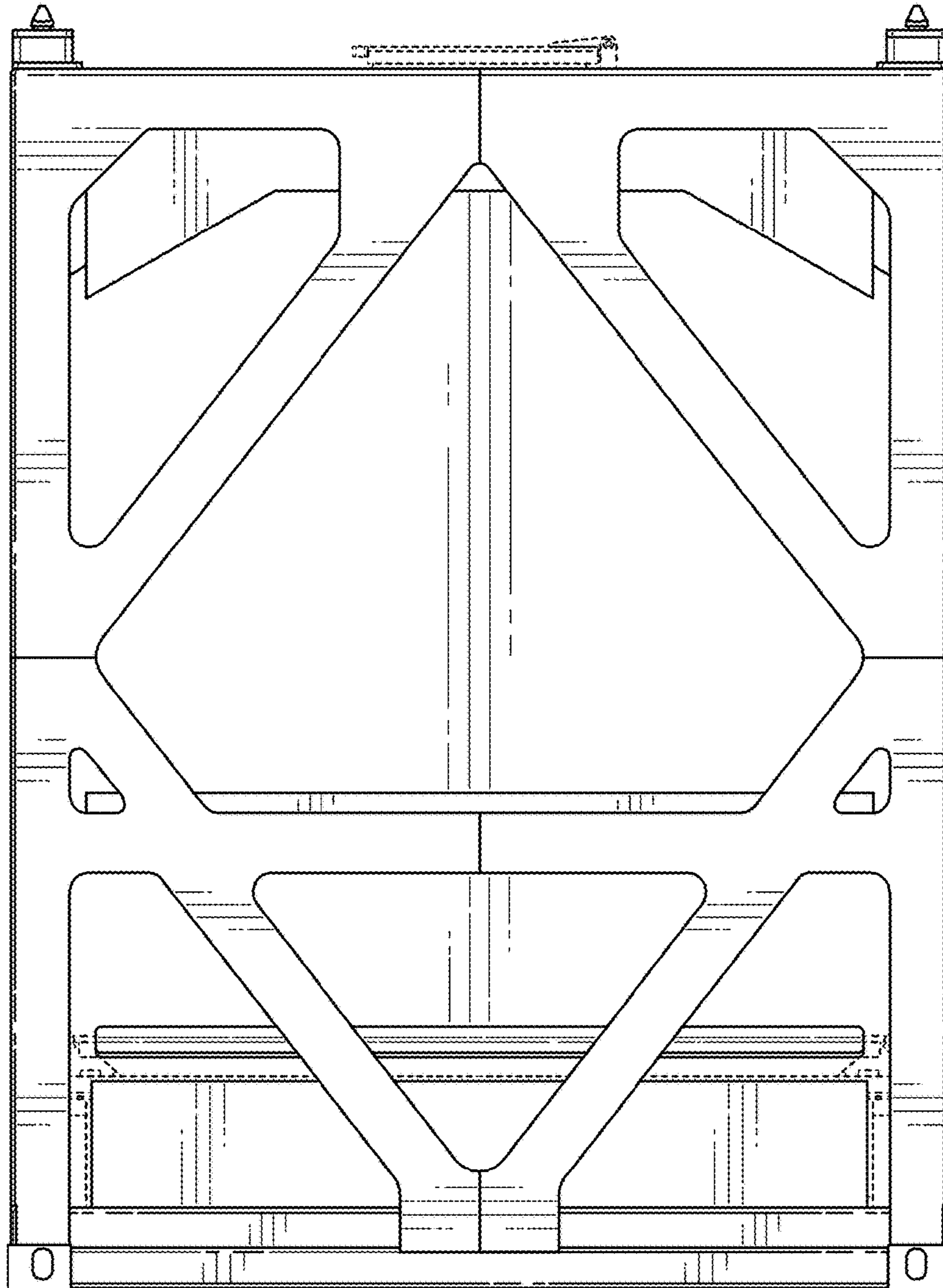


FIG. 3

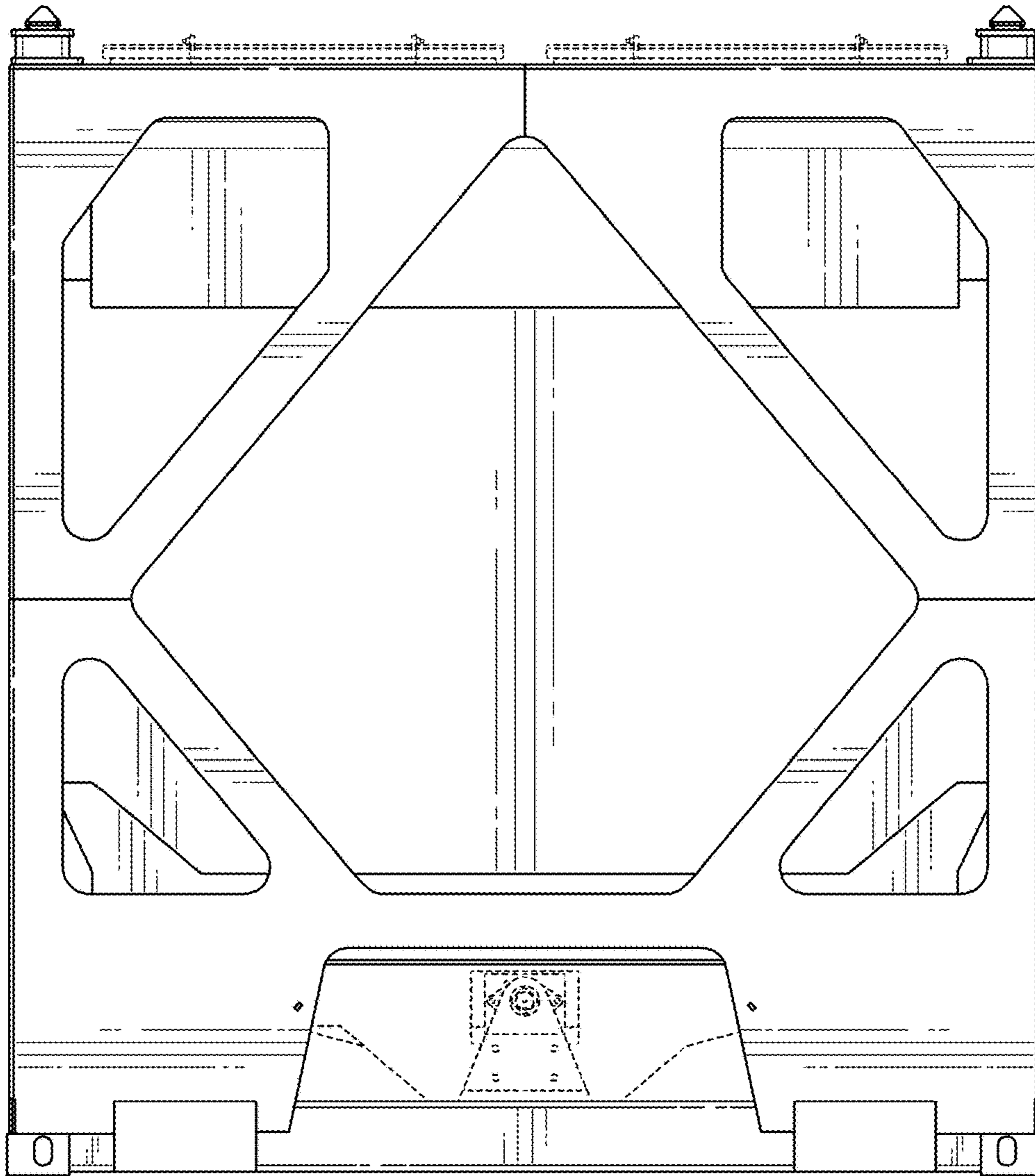


FIG. 4

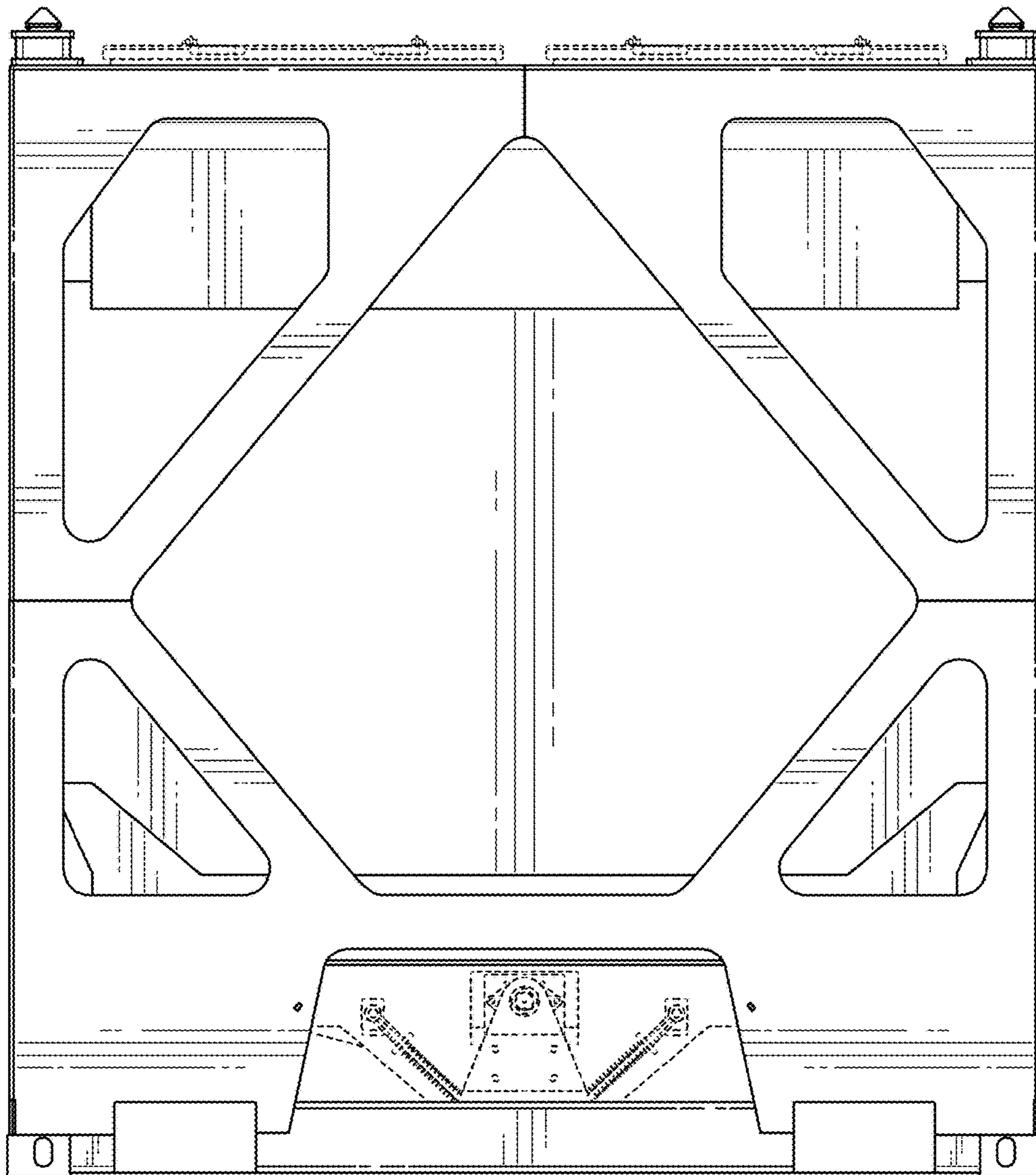


FIG. 5

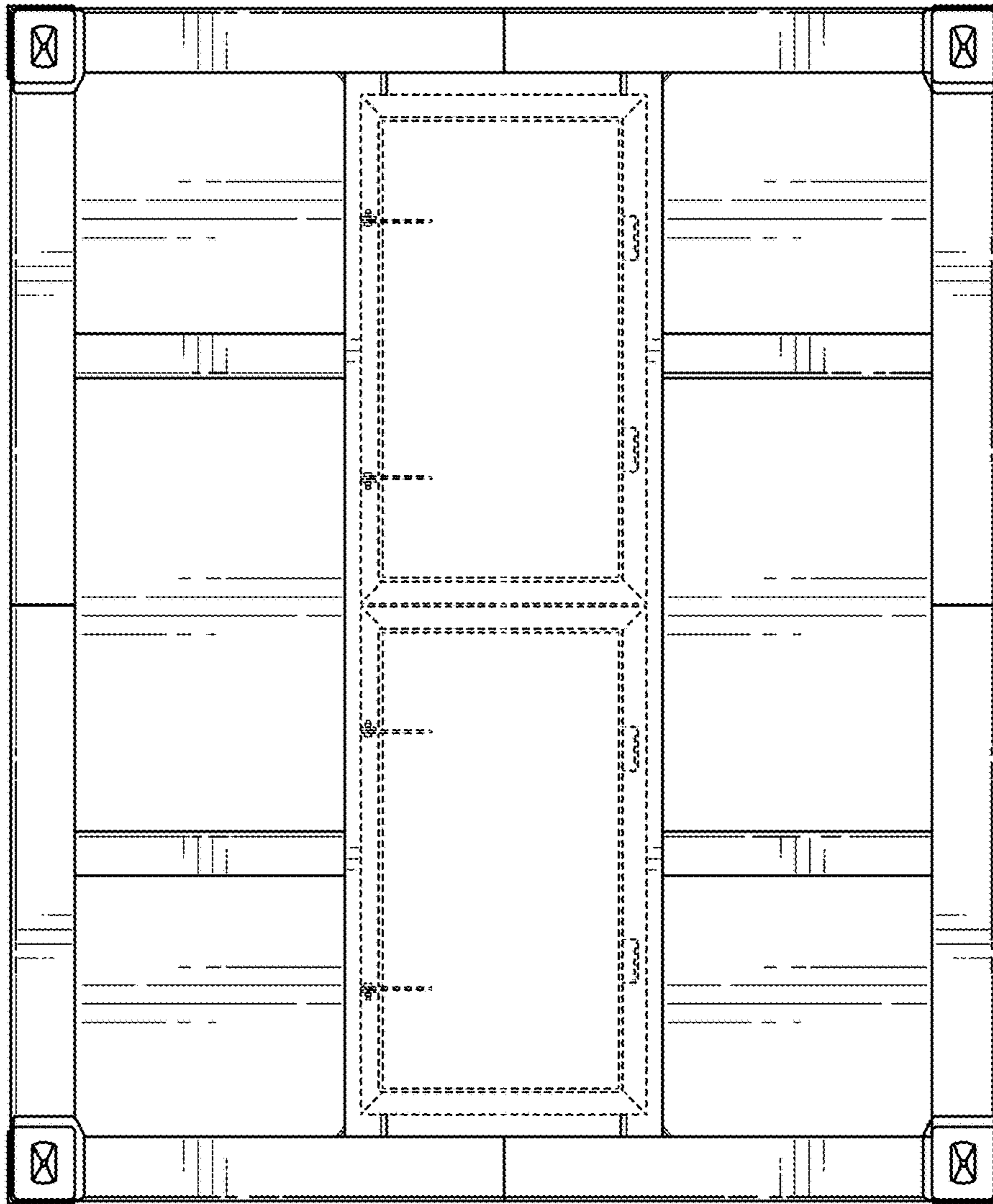


FIG. 6

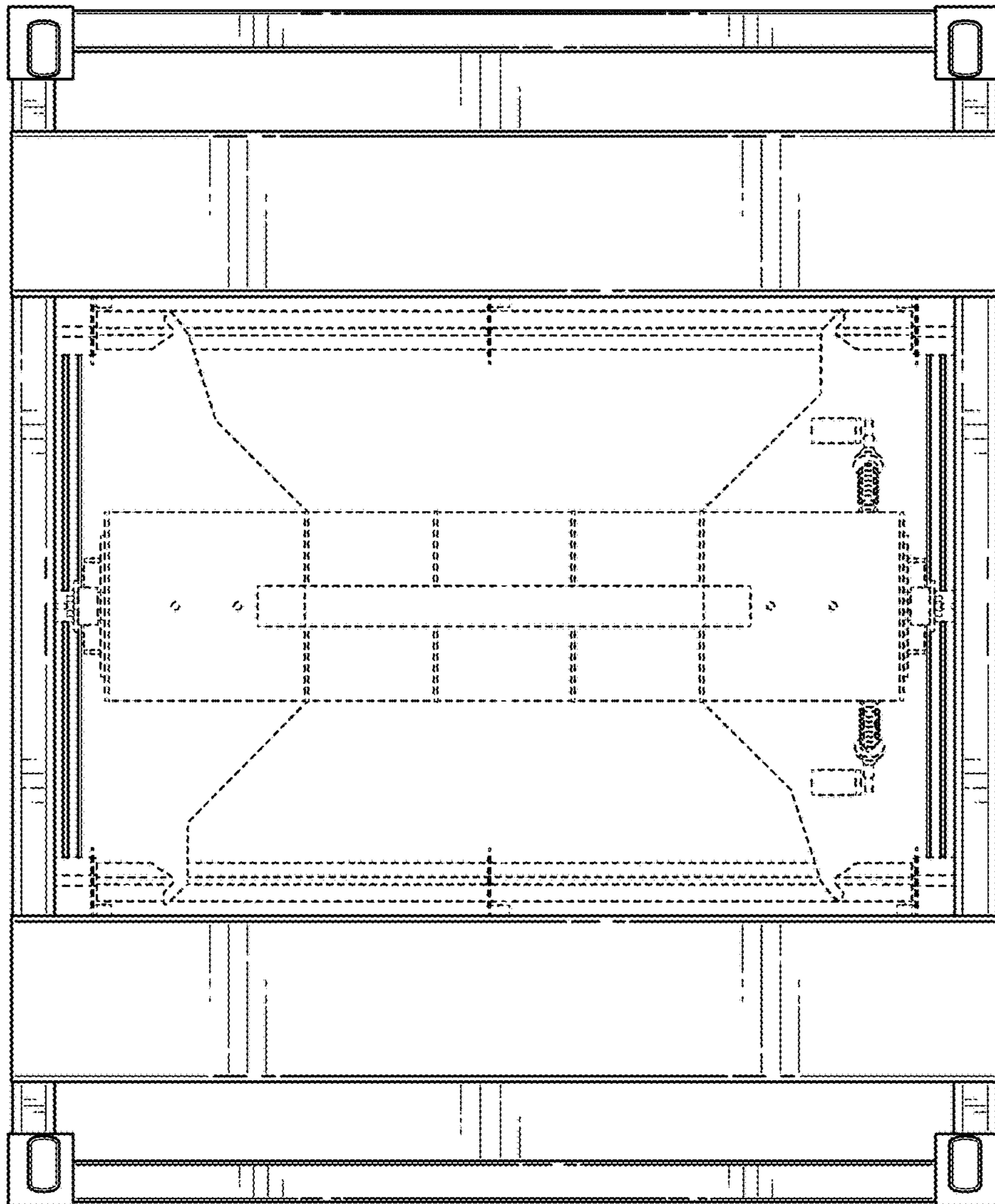


FIG. 7