



US00D783770S

(12) **United States Design Patent**
Yu

(10) **Patent No.:** **US D783,770 S**

(45) **Date of Patent:** **** Apr. 11, 2017**

(54) **COOLANT TANK**

(71) Applicant: **Vincent Yu**, Changhua County (TW)

(72) Inventor: **Vincent Yu**, Changhua County (TW)

(73) Assignee: **Bitspower International Co., Ltd.**,
Changhua County (TW)

(**) Term: **15 Years**

(21) Appl. No.: **29/542,382**

(22) Filed: **Oct. 14, 2015**

(51) **LOC (10) Cl.** **23-01**

(52) **U.S. Cl.**
USPC **D23/202**

(58) **Field of Classification Search**
USPC D23/202; D15/79; 220/565, 586-7
CPC B65D 88/02
See application file for complete search history.

(56) **References Cited**

U.S. PATENT DOCUMENTS

- 3,680,727 A * 8/1972 Pearson B29D 22/00
220/560.09
- 4,491,520 A * 1/1985 Jaye C02F 1/002
210/232

- D444,534 S * 7/2001 Carreau D23/202
- D605,375 S * 12/2009 Anderson D23/202
- D674,822 S * 1/2013 Ugumori D15/79

* cited by examiner

Primary Examiner — Robin V Webster

(74) *Attorney, Agent, or Firm* — Rosenberg, Klein & Lee

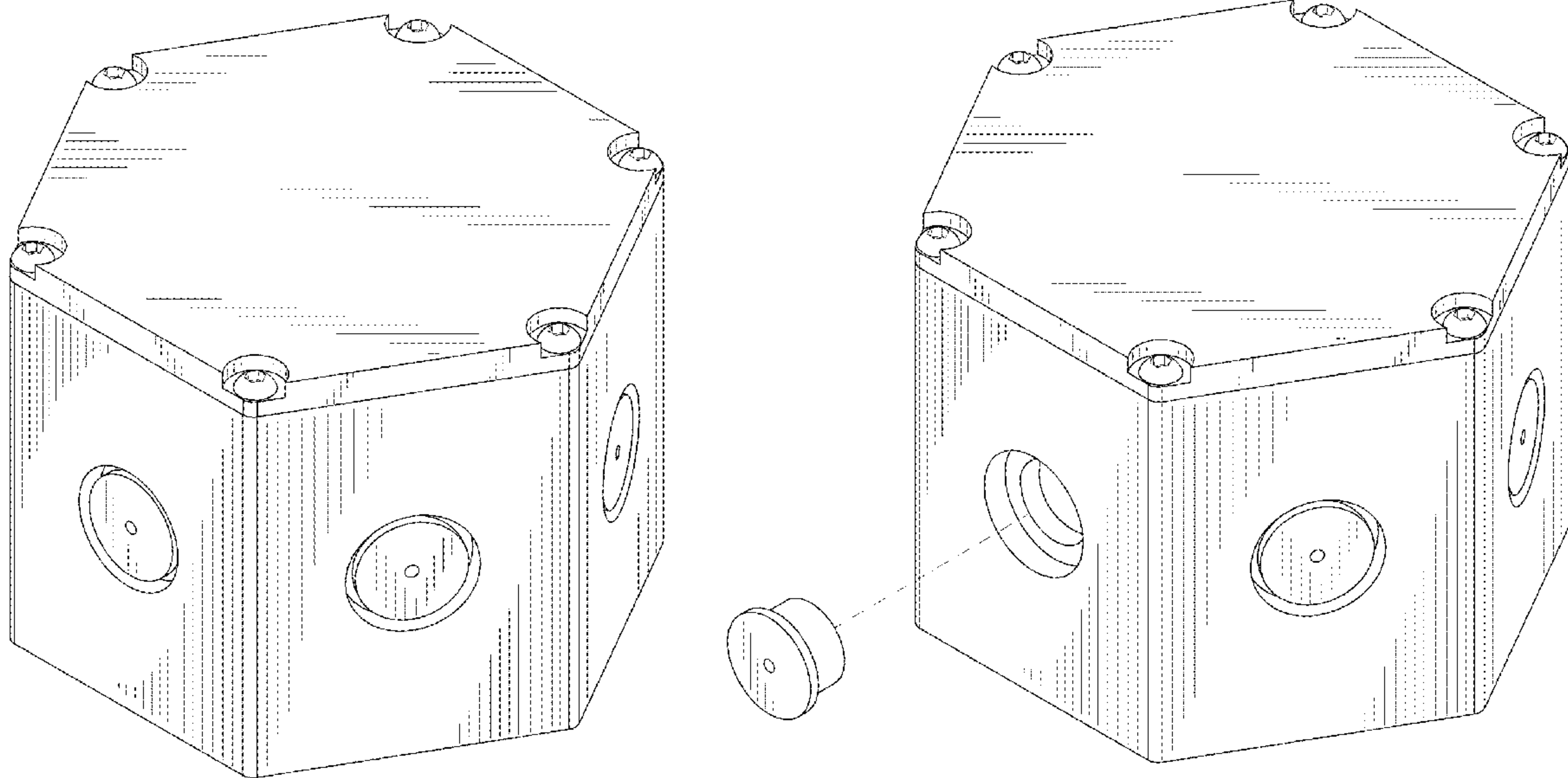
(57) **CLAIM**

I claim the ornamental design for a coolant tank, as shown.

DESCRIPTION

FIG. 1 is a perspective view of a coolant tank showing my new design;
 FIG. 2 is a front elevational view thereof;
 FIG. 3 is a rear elevational view thereof;
 FIG. 4 is a left side elevational view thereof;
 FIG. 5 is a right side elevational view thereof;
 FIG. 6 is a top plan view thereof; and
 FIG. 7 is a bottom plan view thereof; and,
 FIG. 8 is a view showing the application thereof.

1 Claim, 5 Drawing Sheets



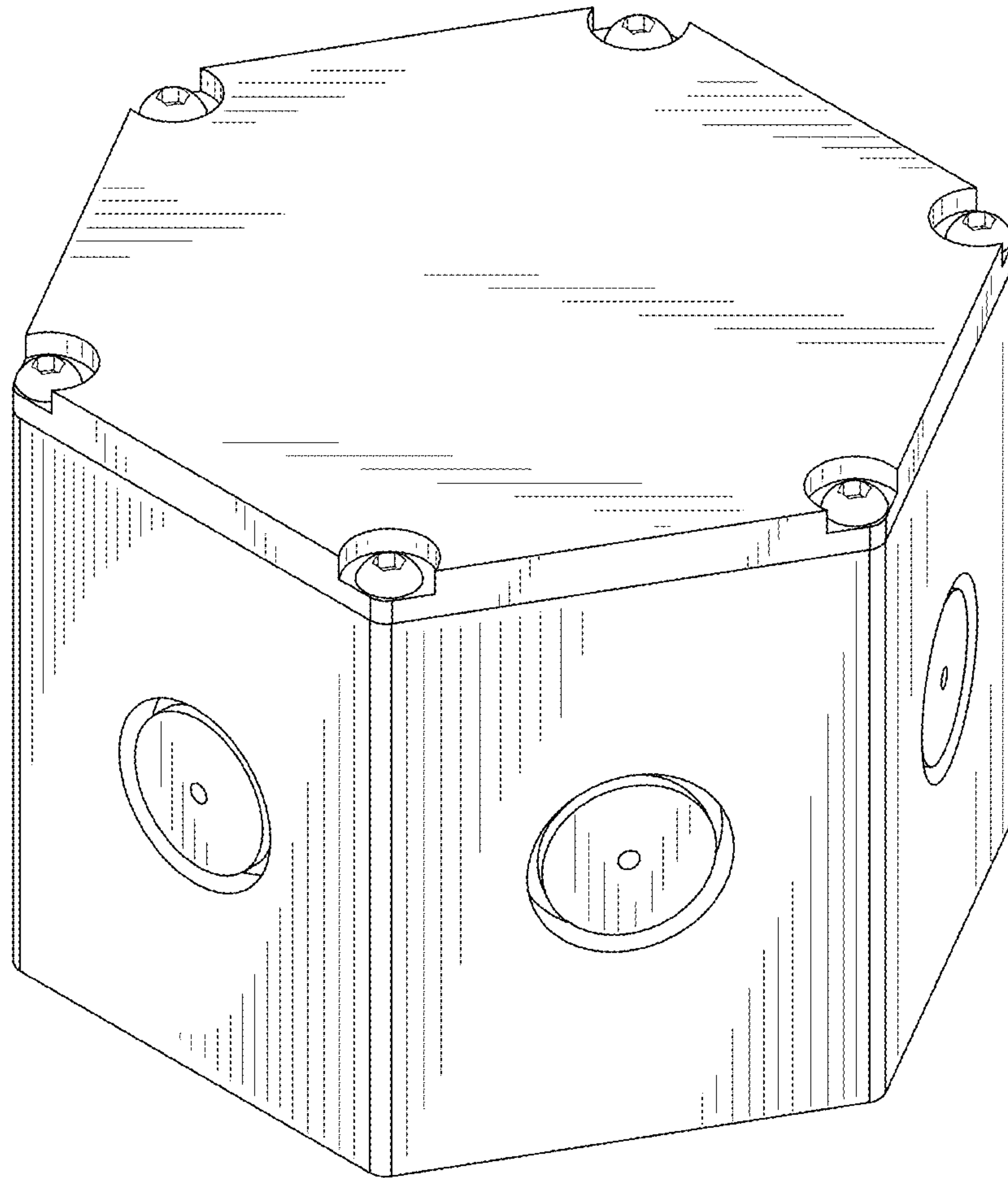


FIG.1

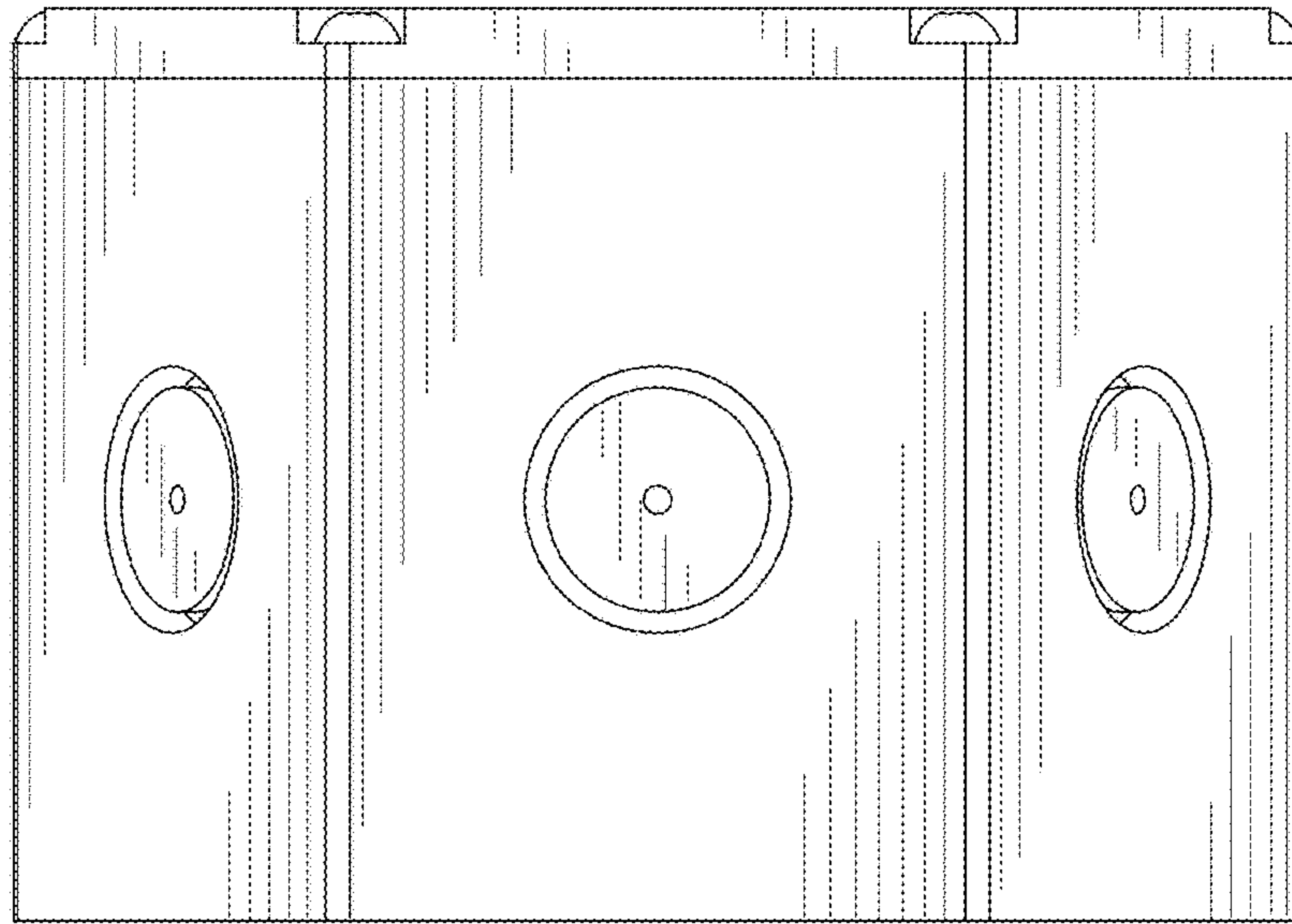


FIG.2

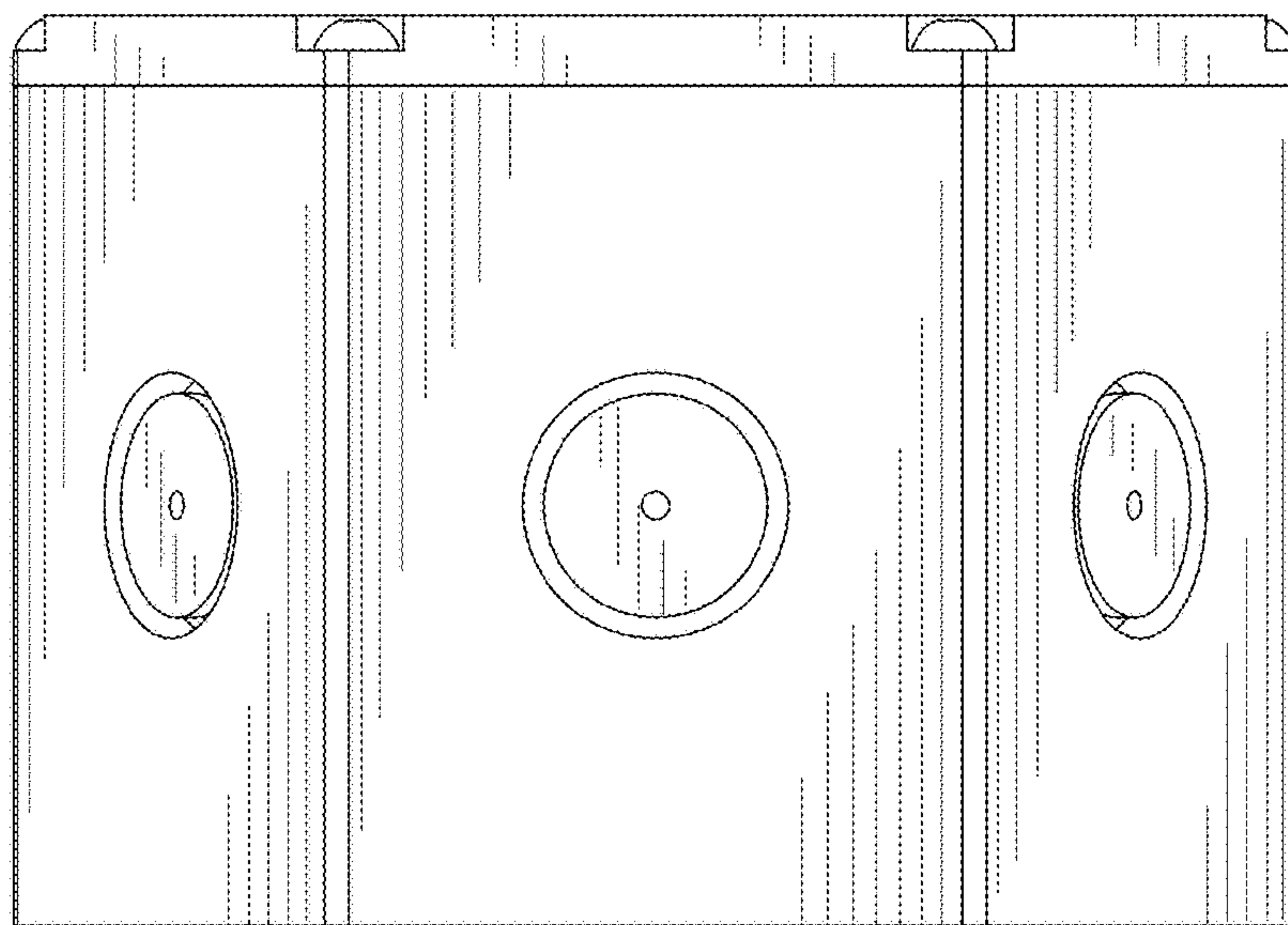


FIG.3

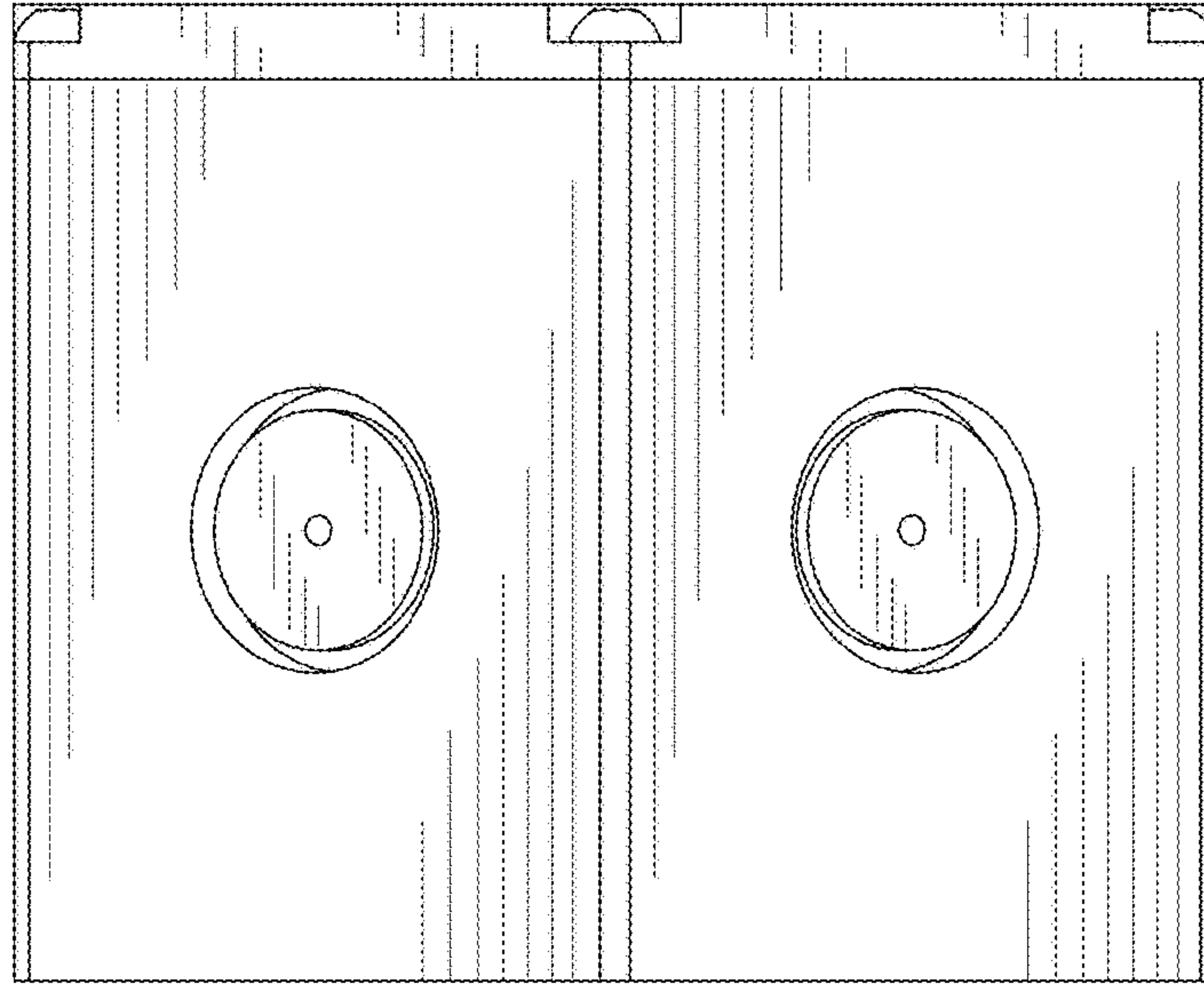


FIG.4

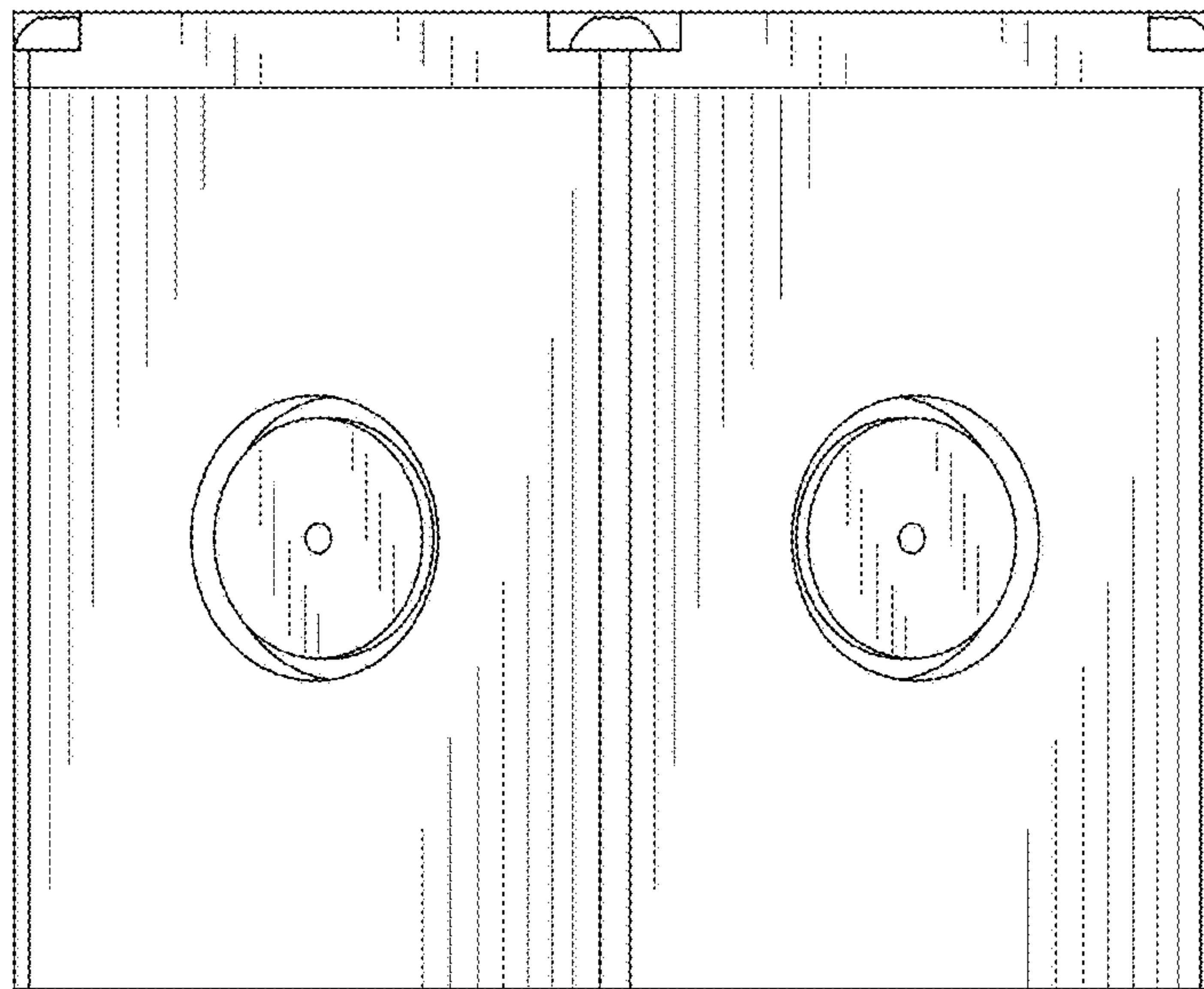


FIG.5

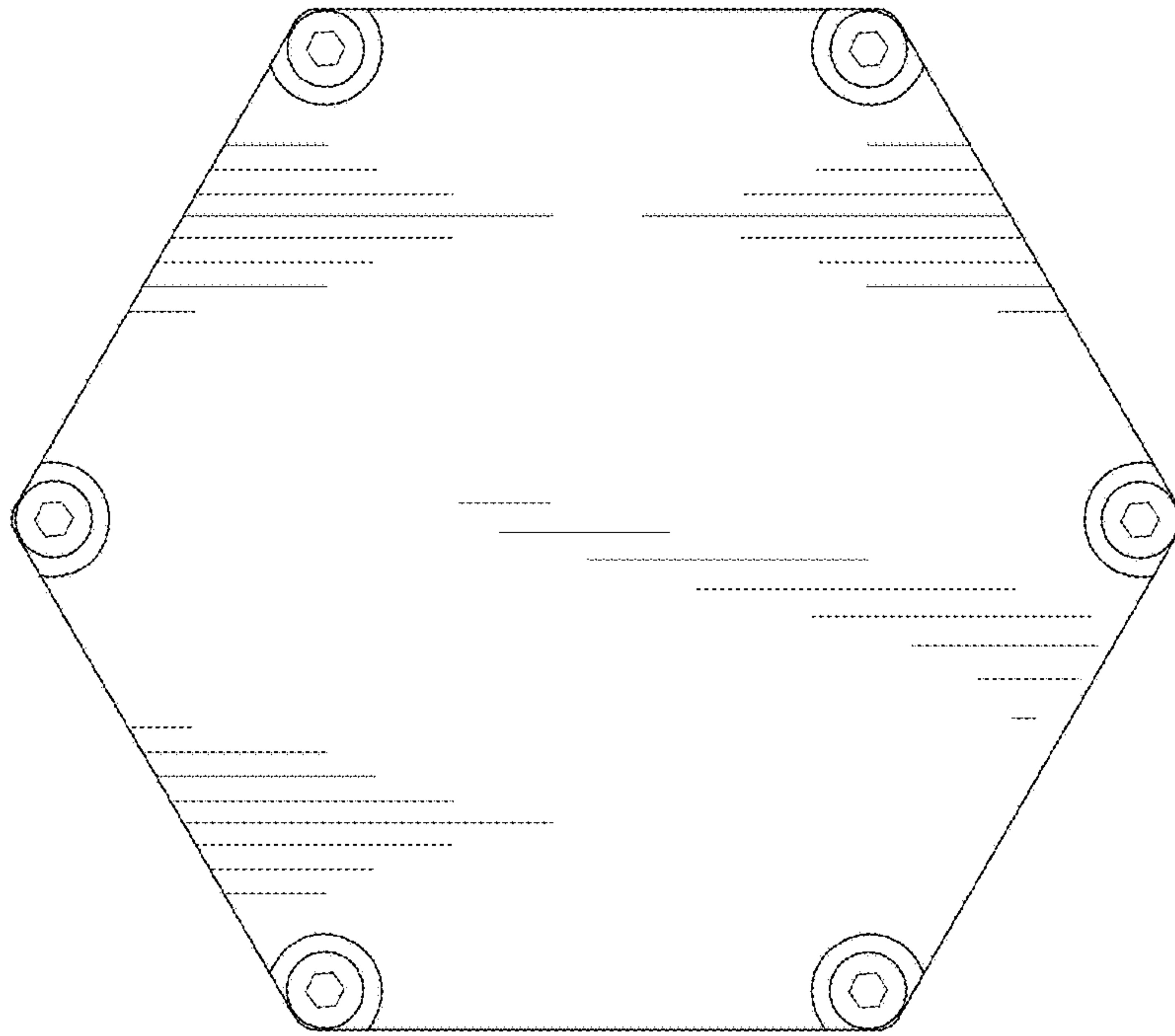


FIG. 6

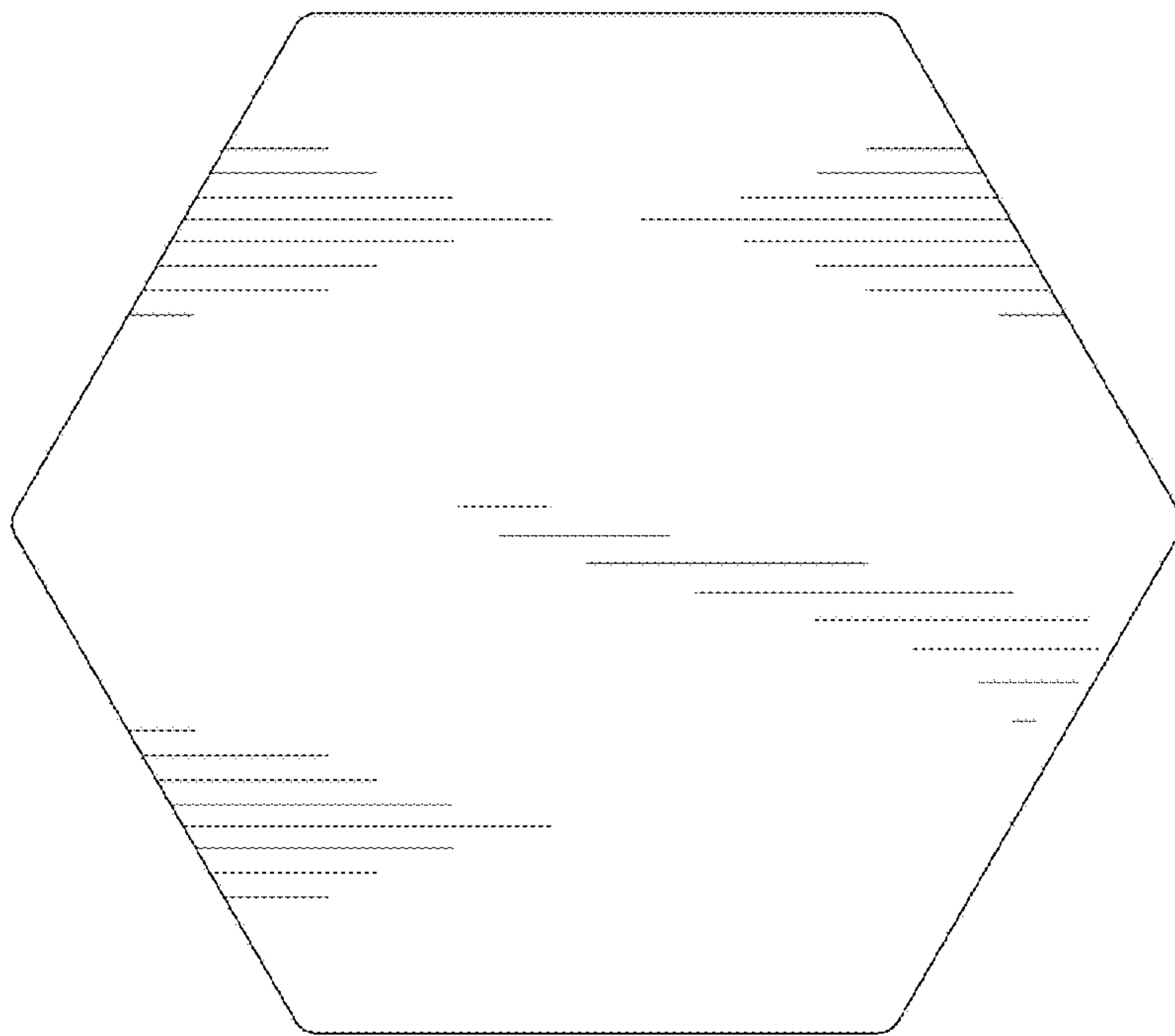


FIG. 7

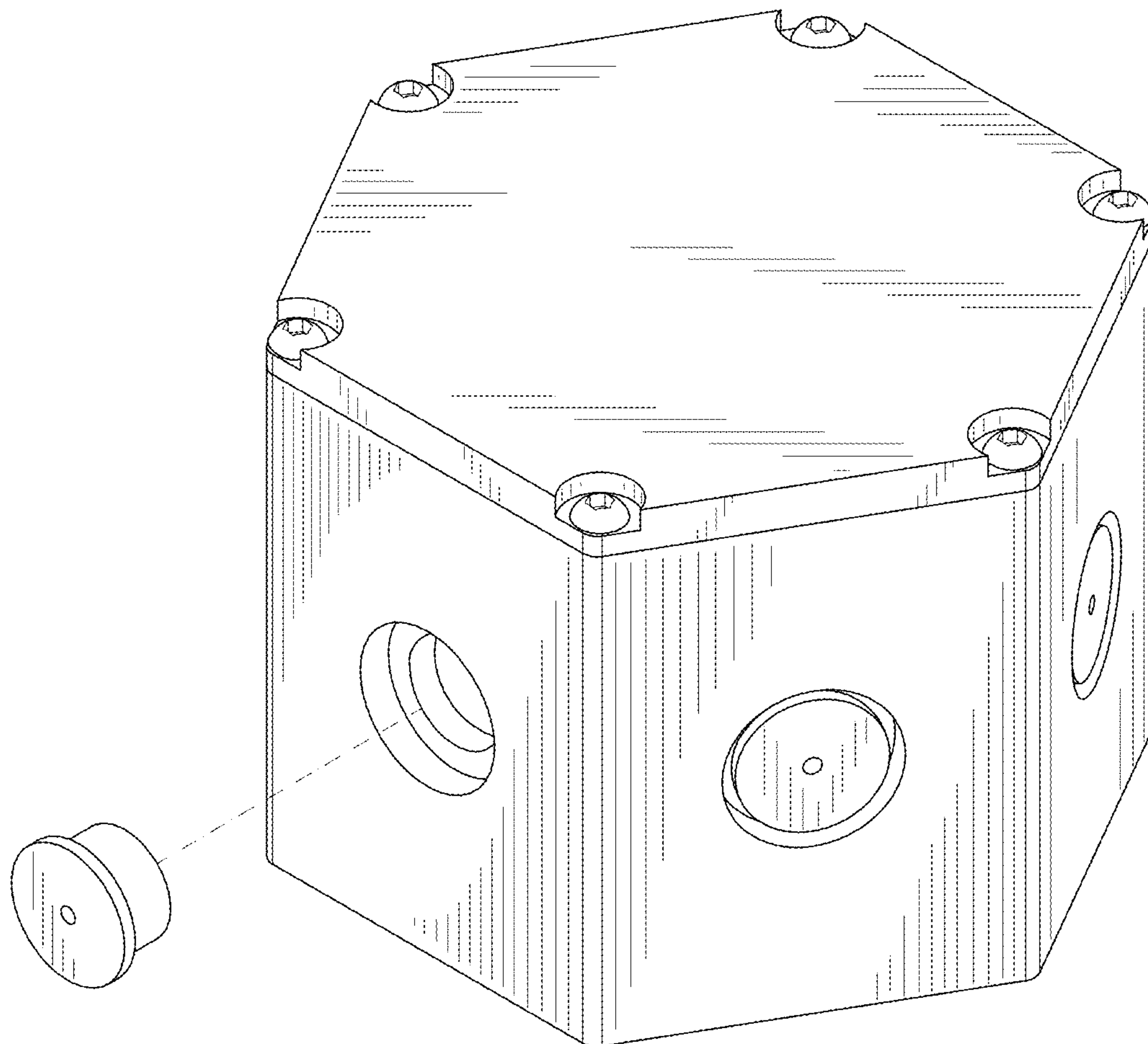


FIG. 8