



US00D783769S

(12) **United States Design Patent** (10) **Patent No.:** **US D783,769 S**
Vela (45) **Date of Patent:** **** Apr. 11, 2017**

(54) **FISHING ROD HOLDER**
(71) Applicant: **Eric Vela**, Brownsville, TX (US)
(72) Inventor: **Eric Vela**, Brownsville, TX (US)
(**) Term: **15 Years**
(21) Appl. No.: **29/534,616**
(22) Filed: **Jul. 30, 2015**
(51) **LOC (10) Cl.** **22-05**
(52) **U.S. Cl.**
USPC **D22/147**
(58) **Field of Classification Search**
USPC D17/9, 13; D21/328; D22/137, 141, 142,
D22/147; D26/23, 41, 50, 87, 142, 155
CPC A01K 87/06; A01K 97/10
See application file for complete search history.

6,397,511 B1 * 6/2002 Atnip A01K 87/06
43/22
D508,727 S * 8/2005 Peters D12/133
D667,992 S * 9/2012 Serrano D26/155
D698,482 S * 1/2014 Chen D26/142
D721,448 S * 1/2015 Solstad D26/23
D749,189 S * 2/2016 Noraker D22/142
D750,735 S * 3/2016 Nakamichi D22/147
D752,176 S * 3/2016 Johns D22/147
2012/0017487 A1 * 1/2012 O'Keefe A01K 97/10
43/21.2
2014/0047758 A1 * 2/2014 Ciciulla A01K 97/10
43/21.2
2016/0037762 A1 * 2/2016 Thomas A01K 97/10
248/636
2016/0192628 A1 * 7/2016 Omura A01K 87/06
43/22

* cited by examiner

Primary Examiner — Manpreet Matharu
Assistant Examiner — Suzanne Tisdell
(74) *Attorney, Agent, or Firm* — Law Office of Jeff
Williams; J. Oliver Williams

(56) **References Cited**

U.S. PATENT DOCUMENTS

2,505,075 A * 4/1950 Weinberger F16M 11/00
248/121
D250,853 S * 1/1979 Fund D26/142
D258,231 S * 2/1981 Airhart D22/142
D289,193 S * 4/1987 Childre D22/142
D299,737 S * 2/1989 Andreasen D22/142
D314,287 S * 2/1991 Albright, Sr. D22/147
5,088,225 A * 2/1992 Yamamoto A01K 87/06
43/22
D324,409 S * 3/1992 LaTouche D22/142
D327,727 S * 7/1992 Robbins D22/142
D331,617 S * 12/1992 Onishi D22/142
D342,985 S * 1/1994 Grice D22/142
D352,341 S * 11/1994 Park D22/142
D353,262 S * 12/1994 Cantavespre D22/139

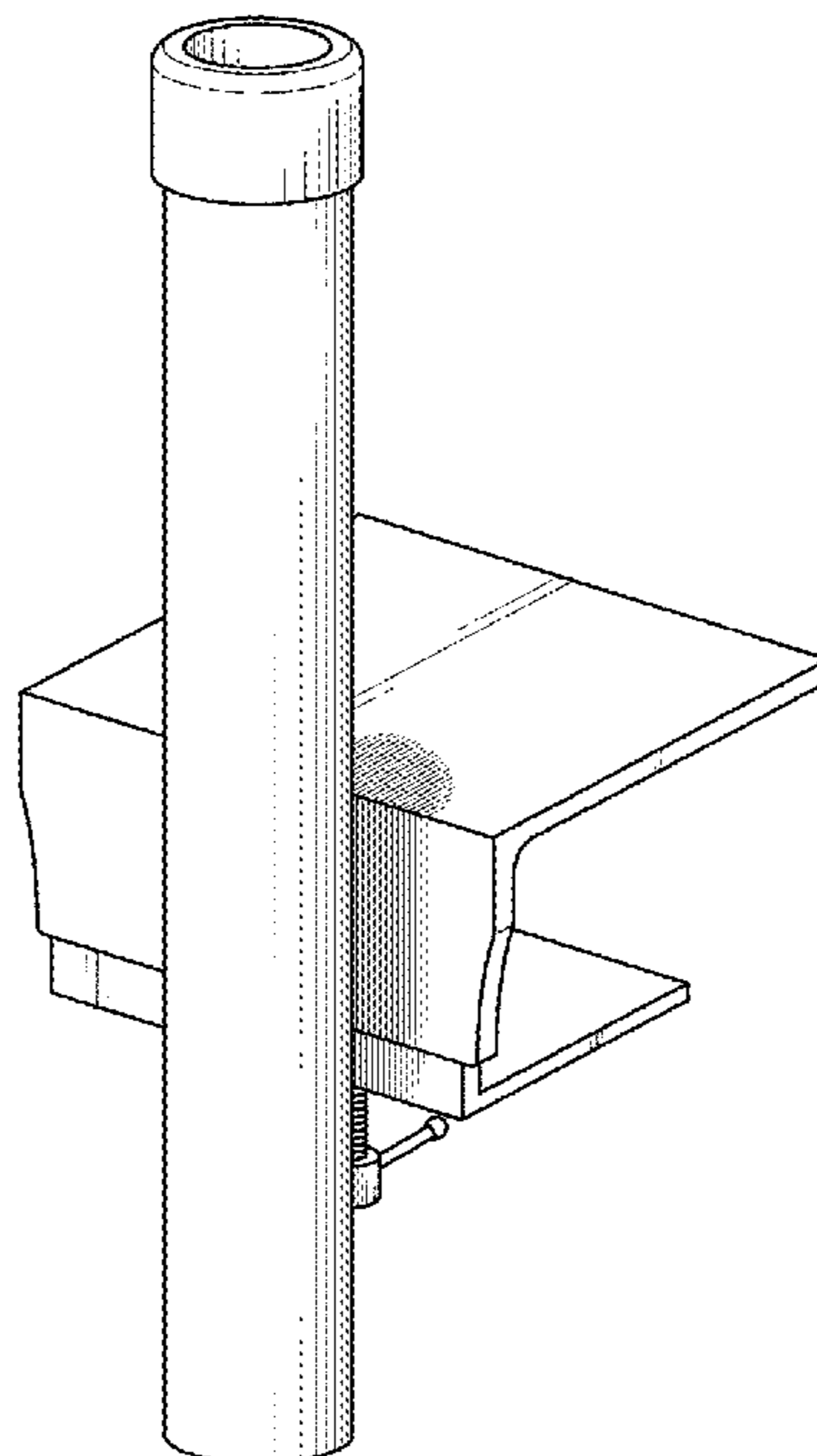
(57) **CLAIM**

The ornamental design for a fishing rod holder, as shown.

DESCRIPTION

FIG. 1 is a perspective view of a fishing rod holder according to the present application.
FIG. 2 is a front view of the fishing rod holder of FIG. 1.
FIG. 3 is a back view of the fishing rod holder of FIG. 1.
FIG. 4 is a left view of the fishing rod holder of FIG. 1.
FIG. 5 is a right view of the fishing rod holder of FIG. 1.
FIG. 6 is a top view of the fishing rod holder of FIG. 1; and,
FIG. 7 is a bottom view of the fishing rod holder of FIG. 1.

1 Claim, 4 Drawing Sheets



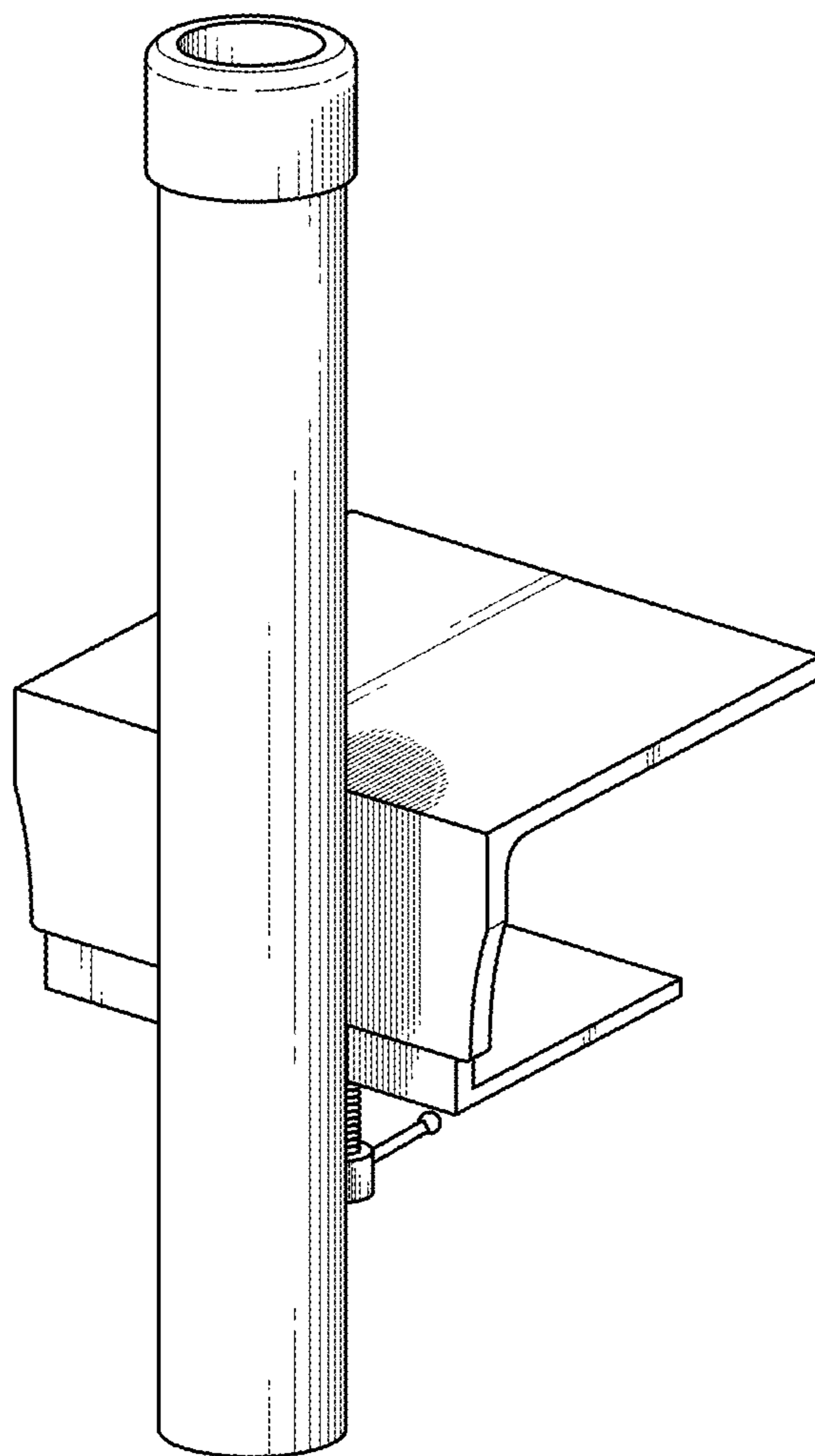


FIG. 1

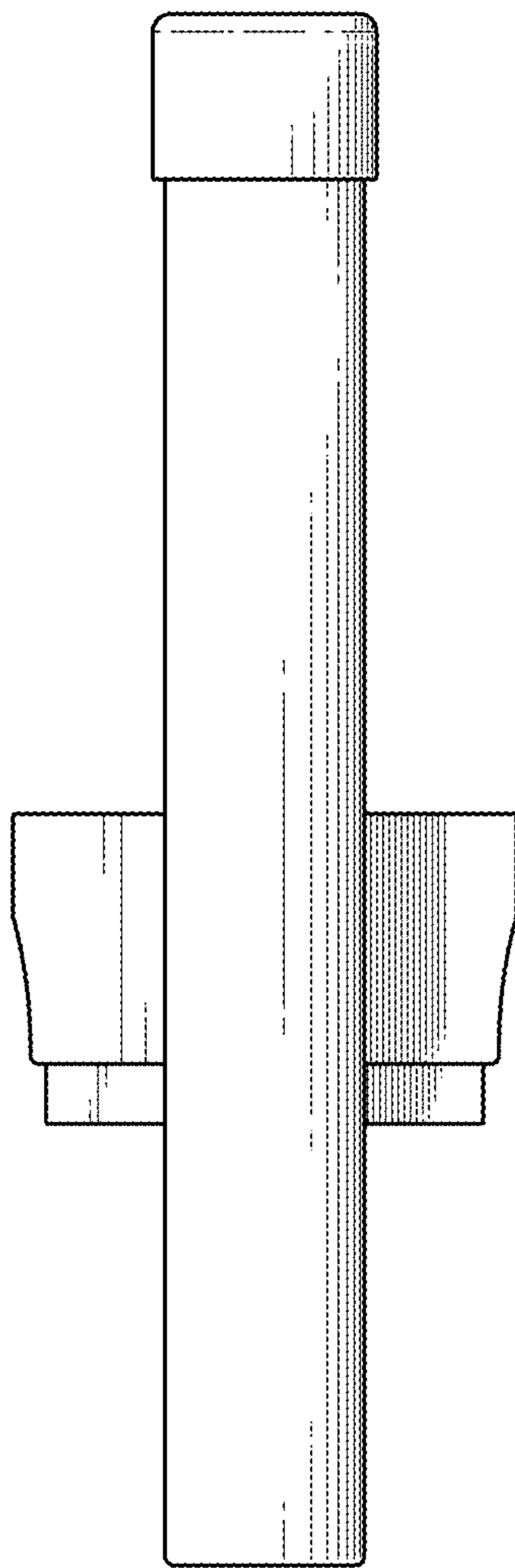


FIG. 2

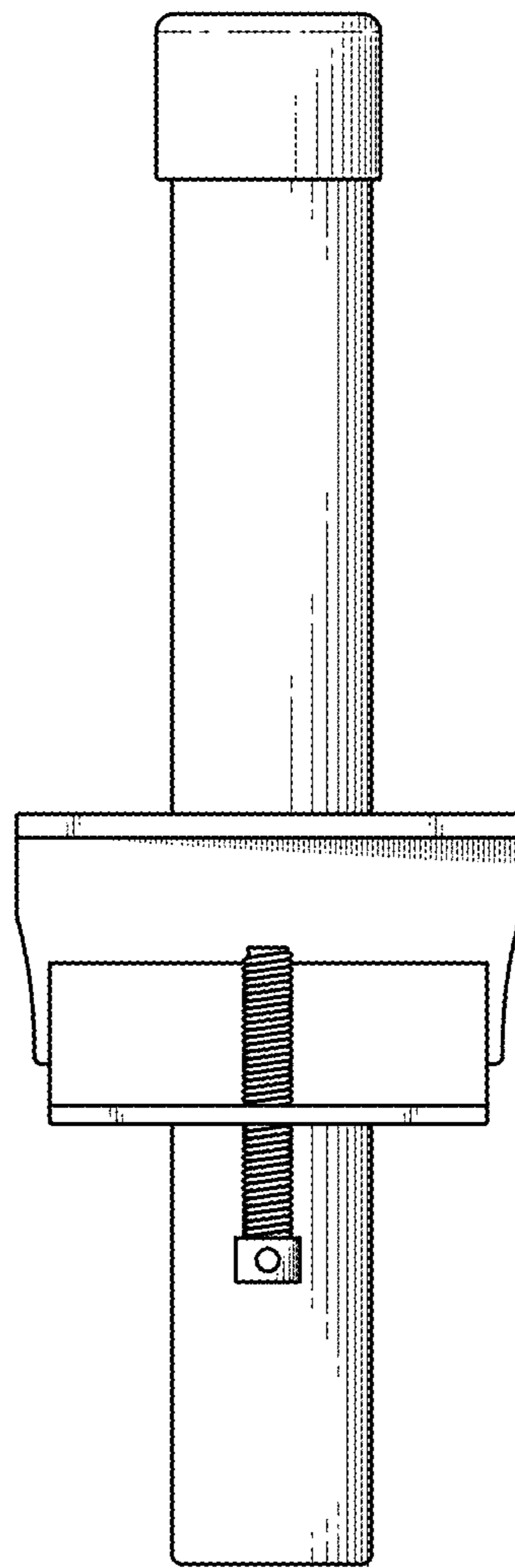


FIG. 3

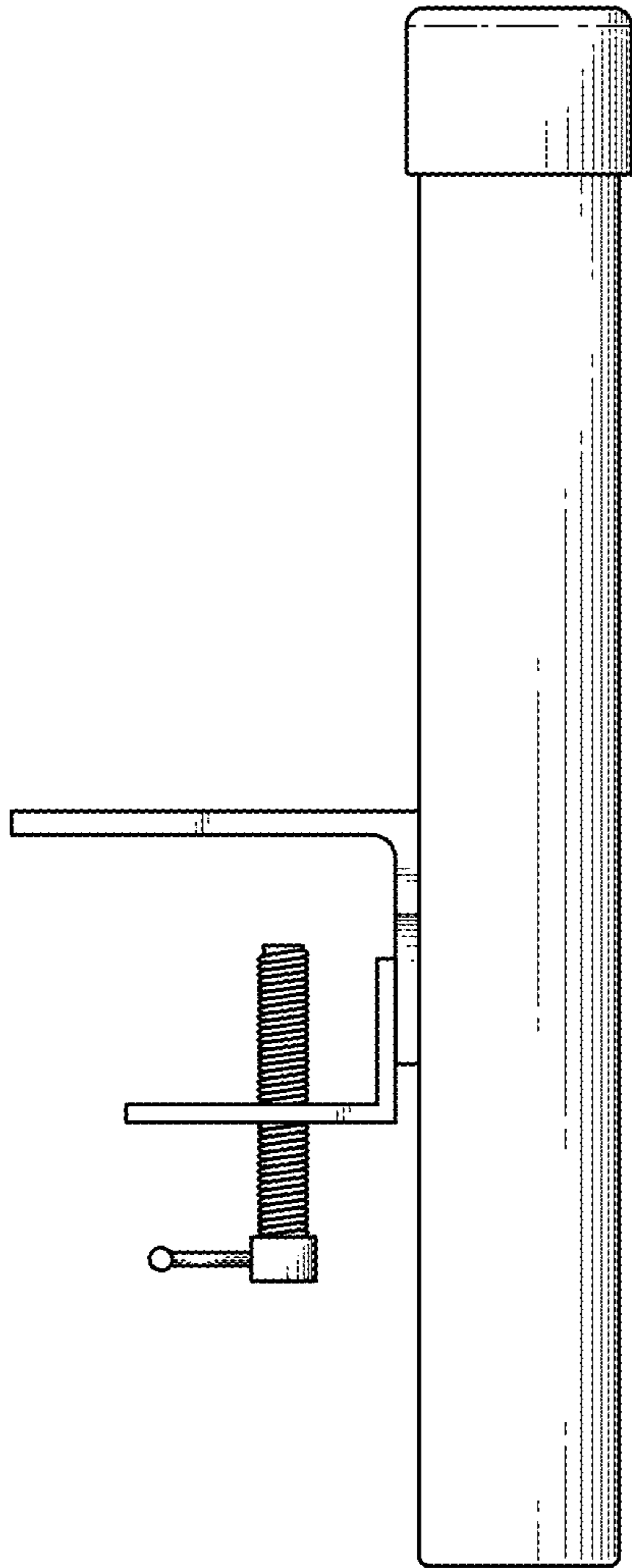


FIG. 4

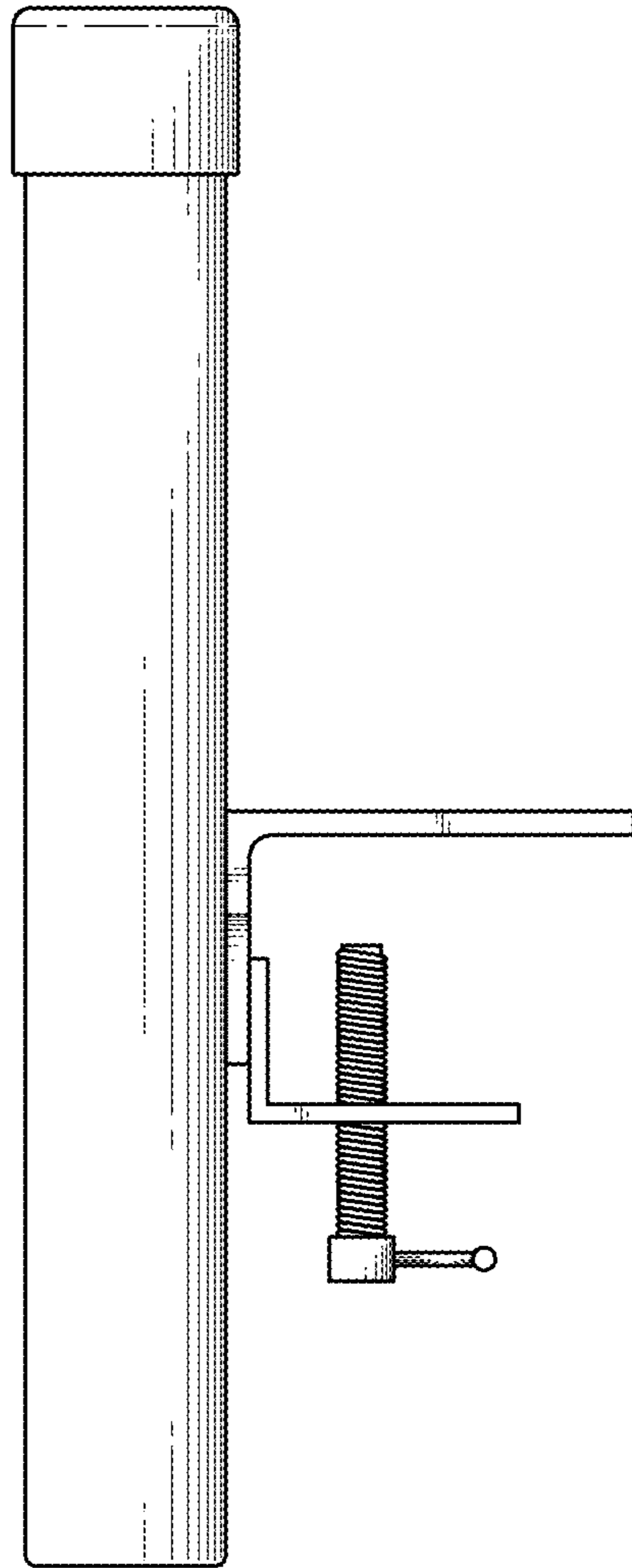


FIG. 5

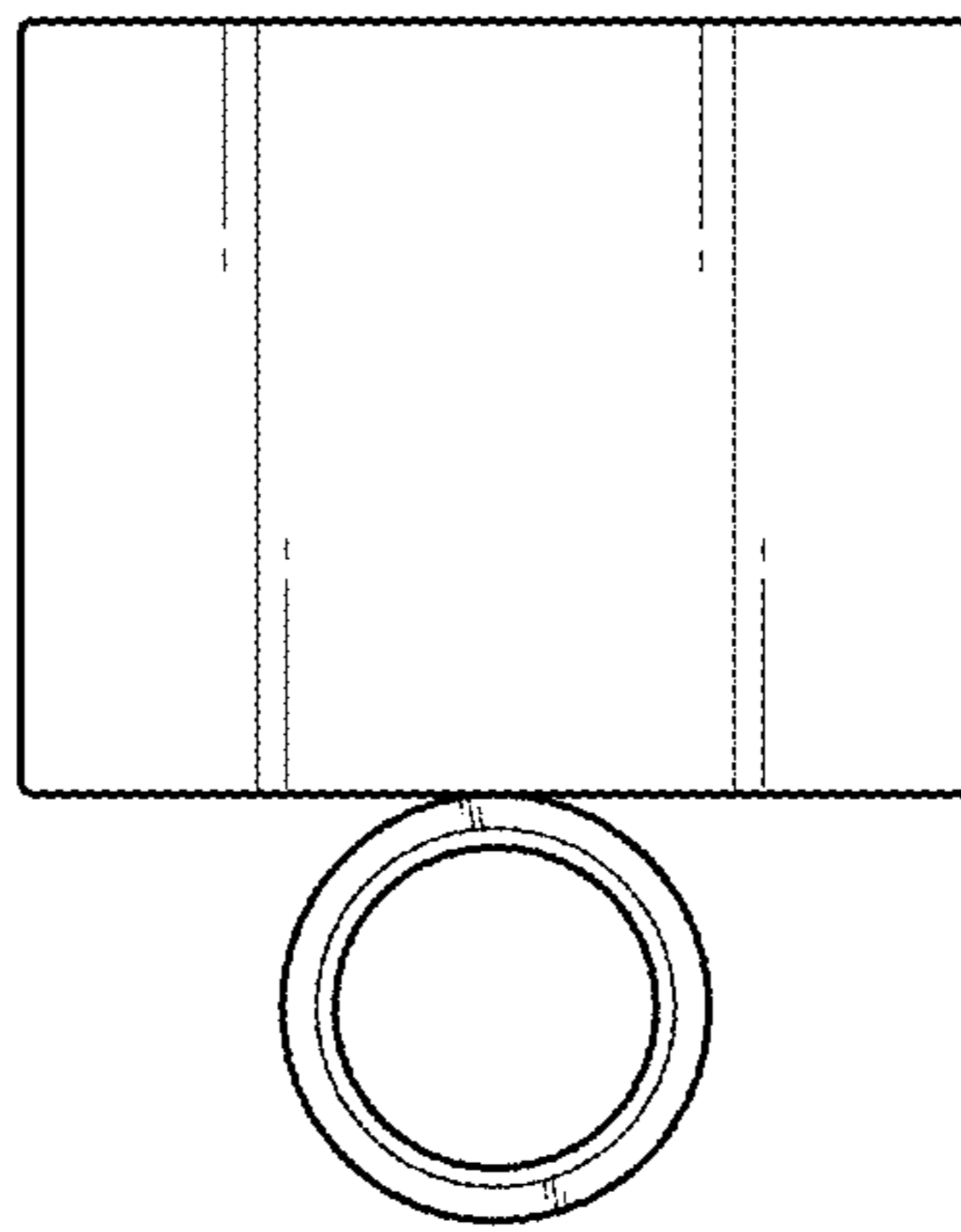


FIG. 6

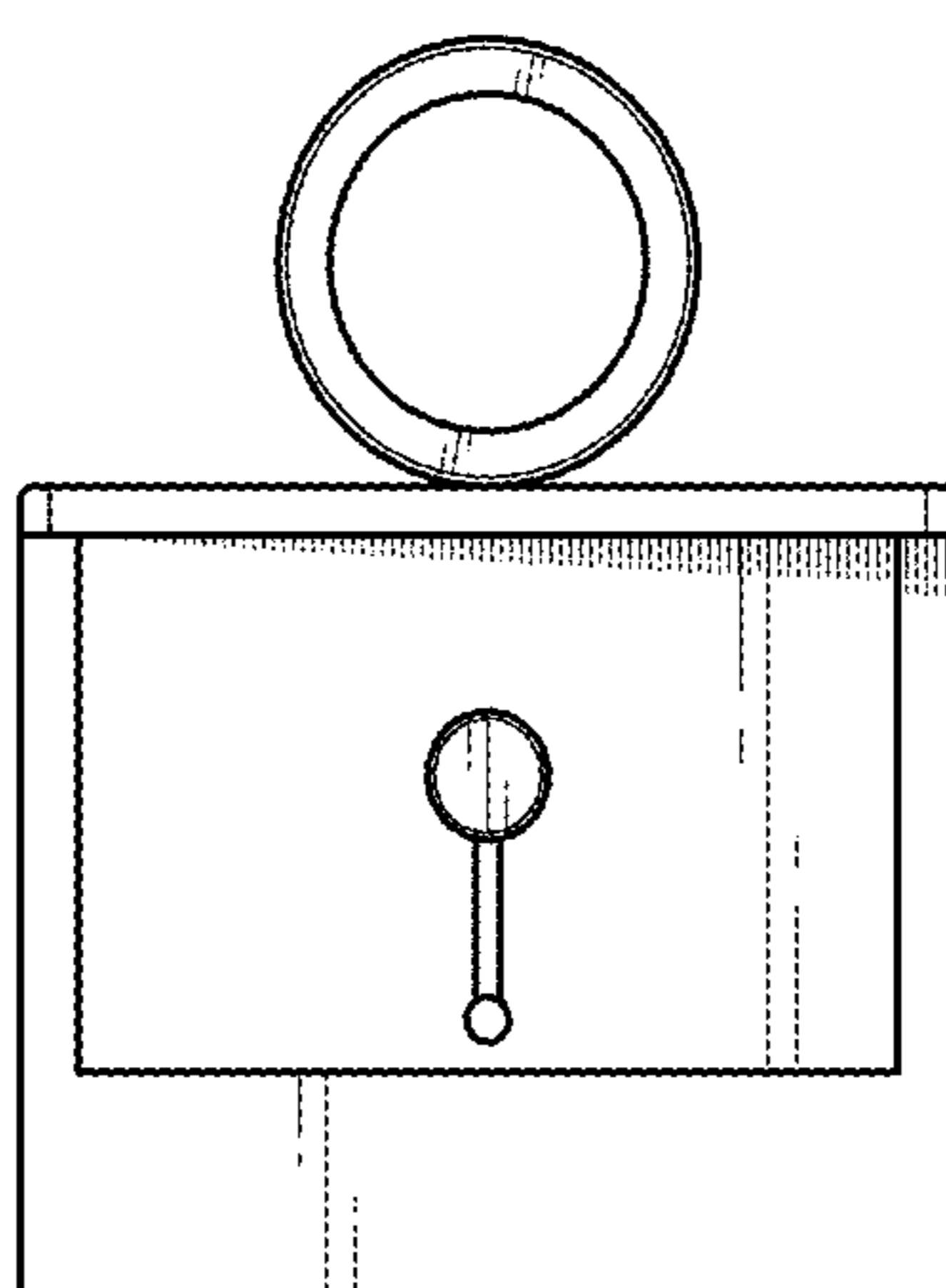


FIG. 7