



US00D783767S

(12) **United States Design Patent**  
**Teegarden**

(10) **Patent No.:** **US D783,767 S**  
(45) **Date of Patent:** **\*\* Apr. 11, 2017**

- (54) **FISHING FLASHER**
- (71) Applicant: **Dean Mark Teegarden**, Boise, ID (US)
- (72) Inventor: **Dean Mark Teegarden**, Boise, ID (US)
- (\*\*) Term: **15 Years**
- (21) Appl. No.: **29/557,893**
- (22) Filed: **Mar. 14, 2016**

4,041,636 A 8/1977 Folker  
 4,739,576 A 4/1988 Davis  
 4,796,379 A 1/1989 Rabideau  
 4,823,495 A 4/1989 Camilleri  
 4,831,765 A 5/1989 Bradshaw  
 4,891,901 A 1/1990 Baker, Jr.  
 5,197,221 A 3/1993 Kresl  
 D349,941 S 8/1994 Gentry  
 (Continued)

**Related U.S. Application Data**

- (63) Continuation of application No. 14/222,336, filed on Mar. 21, 2014, now abandoned.
- (51) **LOC (10) Cl.** ..... **22-05**
- (52) **U.S. Cl.**  
USPC ..... **D22/129**
- (58) **Field of Classification Search**  
USPC ..... D22/126-133; 43/42.5, 42.05, 42.06,  
43/42.31, 45.51, 42.32  
CPC ..... A01K 85/00; A01K 85/02  
See application file for complete search history.

**References Cited**

- (56) **References Cited**
- U.S. PATENT DOCUMENTS
- 2,235,905 A 3/1941 Sherwood et al.
- 2,637,134 A 5/1953 Davidson et al.
- 2,713,742 A 7/1955 Holdaway et al.
- 2,795,075 A 6/1957 Christian
- 2,883,785 A 4/1959 Croft et al.
- 2,891,344 A 6/1959 Hottowe et al.
- 2,904,922 A 9/1959 Orebaugh et al.
- 3,056,228 A 10/1962 Stackhouse
- 3,229,407 A 1/1966 Quyle
- 3,533,187 A 10/1970 Campbell et al.
- 3,673,727 A 7/1972 Bauer et al.
- 3,729,850 A 5/1973 Waters, Jr.
- 3,740,891 A 6/1973 Rubenstein
- 3,757,450 A 9/1973 Martinez et al.
- 3,879,881 A 4/1975 Vick

**FOREIGN PATENT DOCUMENTS**

CA 1287211 C 8/1991

**OTHER PUBLICATIONS**

Product packaging for "Eaker Shaker +" by Eagle Claw, 1998.

*Primary Examiner* — Catheri Oliver-Garcia  
(74) *Attorney, Agent, or Firm* — Buchanan Nipper

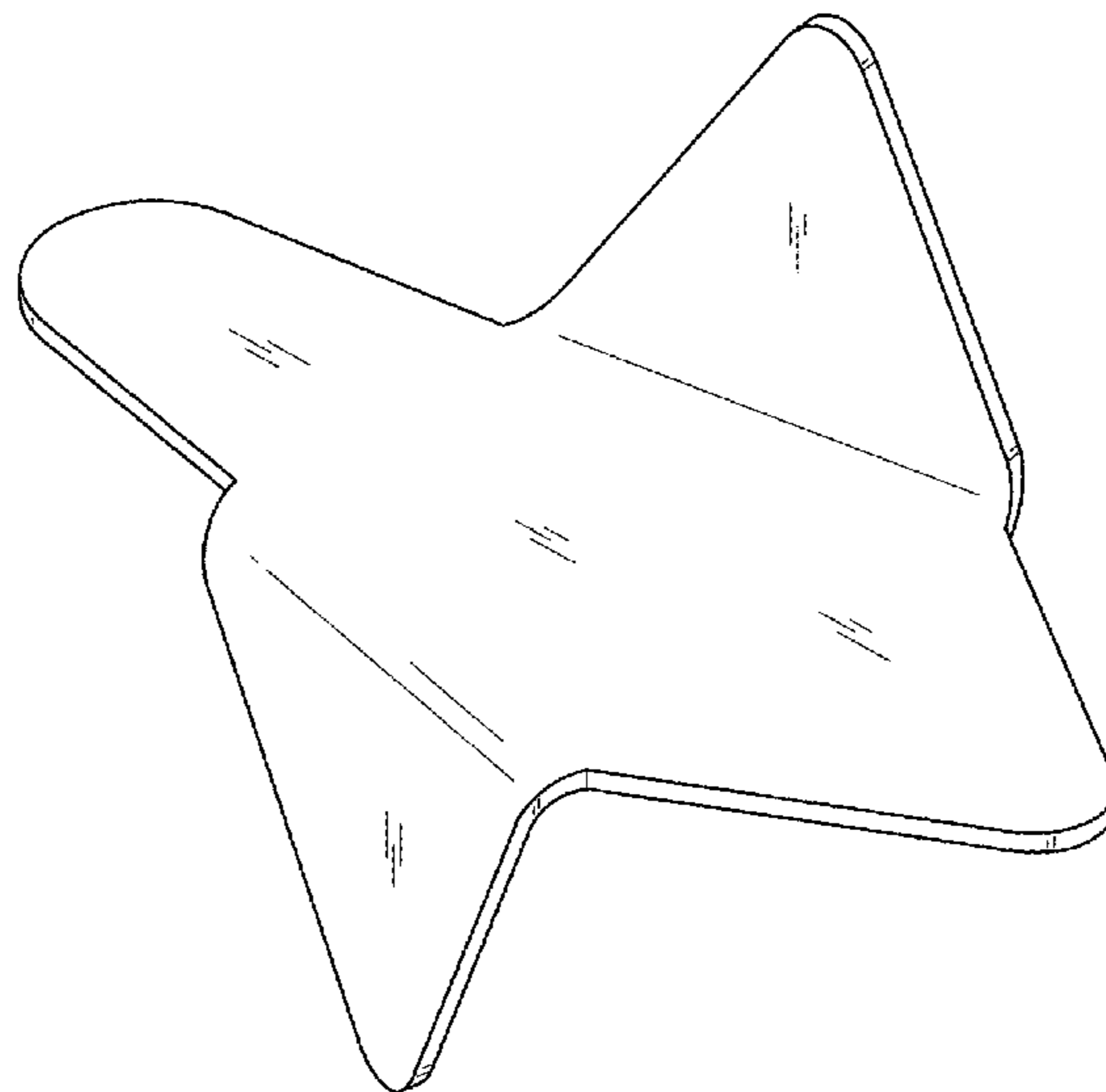
(57) **CLAIM**

I claim the ornamental design for a fishing flasher, as shown and described.

**DESCRIPTION**

FIG. 1 is an isometric view of a fishing flasher showing my design;  
 FIG. 2 is a top view thereof, it being understood that the opposite side not shown is a mirror image thereof;  
 FIG. 3 is a rear view thereof;  
 FIG. 4 is a right side elevation view thereof, it being understood that the opposite side not shown is a mirror image thereof;  
 FIG. 5 is a front view thereof; and,  
 FIG. 6 is a perspective view of the fishing flasher shown in use.  
 The broken lines shown represent unclaimed subject matter and form no part of the claimed design.

**1 Claim, 4 Drawing Sheets**



(56)

References Cited

U.S. PATENT DOCUMENTS

5,528,851	A	6/1996	Feher	
5,661,922	A	9/1997	Bonomo	
D388,495	S	12/1997	Gentry	
5,887,378	A	3/1999	Rhoten	
5,918,406	A	7/1999	Wilson	
5,970,648	A	10/1999	DeRose	
6,083,076	A	7/2000	Saint-Victor	
6,108,964	A	8/2000	Noorlander	
6,173,524	B1	1/2001	Kinchen, Sr.	
D462,413	S	9/2002	Teegarden	
D472,955	S *	4/2003	Hyneman	D22/129
6,643,975	B1	11/2003	Edwards	
D492,750	S *	7/2004	Edwards	D22/129
6,978,571	B1	12/2005	Nemire	
7,003,911	B2	2/2006	Schoenike	
D521,103	S *	5/2006	Franco	D22/129
7,322,226	B1	1/2008	Rathgeb	
7,490,433	B2	2/2009	Schoenike	
7,493,724	B1	2/2009	Peterson	
7,877,924	B2	2/2011	Schoenike	
D637,685	S *	5/2011	Pruitt	D22/129
8,020,338	B2	9/2011	Brown	
D652,102	S *	1/2012	Taylor	D22/129
D678,460	S *	3/2013	Pool	D22/129
2003/0070344	A1	4/2003	Teegarden	
2005/0028423	A1	2/2005	Kaariainen et al.	
2006/0112608	A1	6/2006	Snyder	

\* cited by examiner

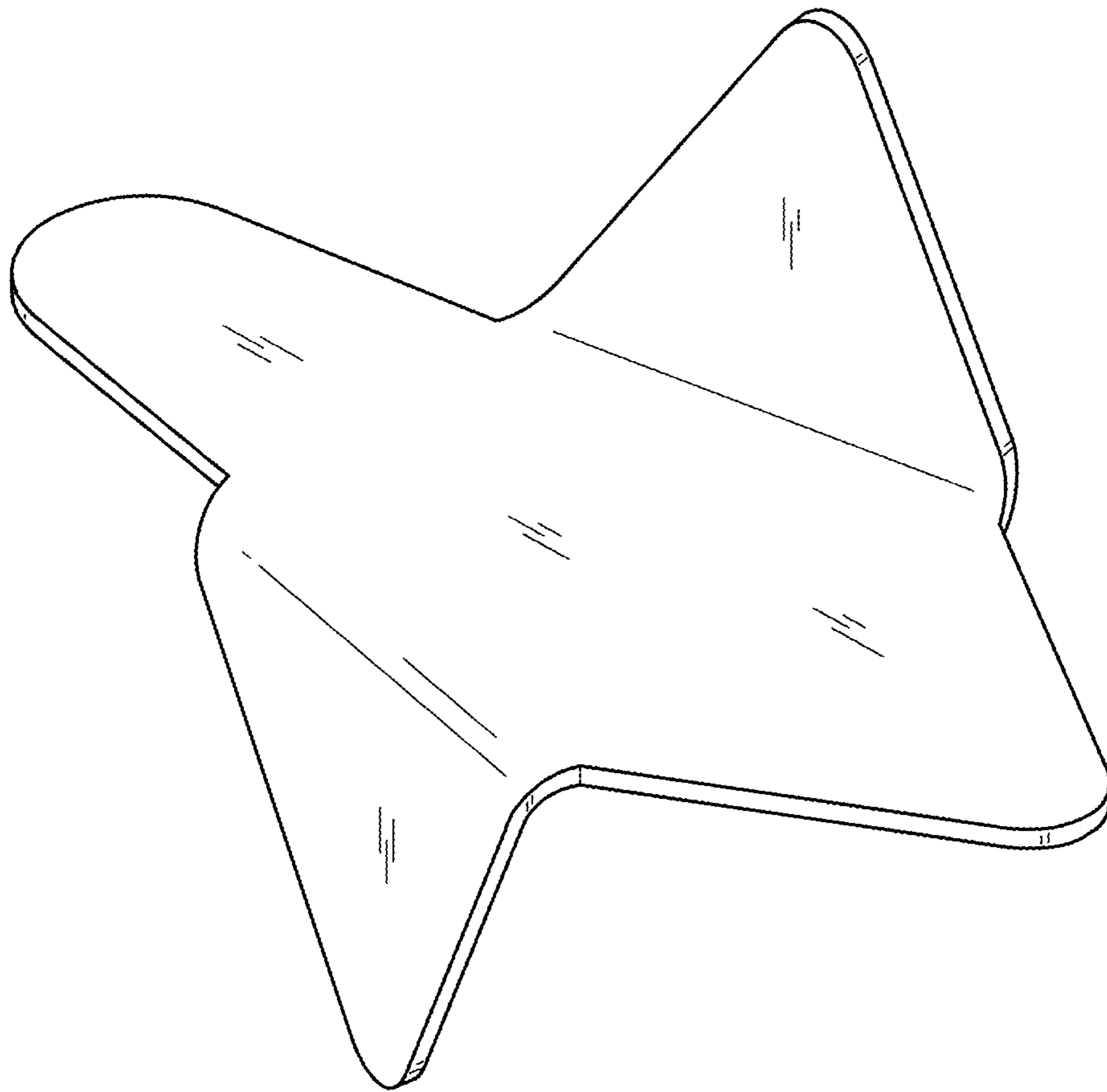


FIG. 1

FIG. 2

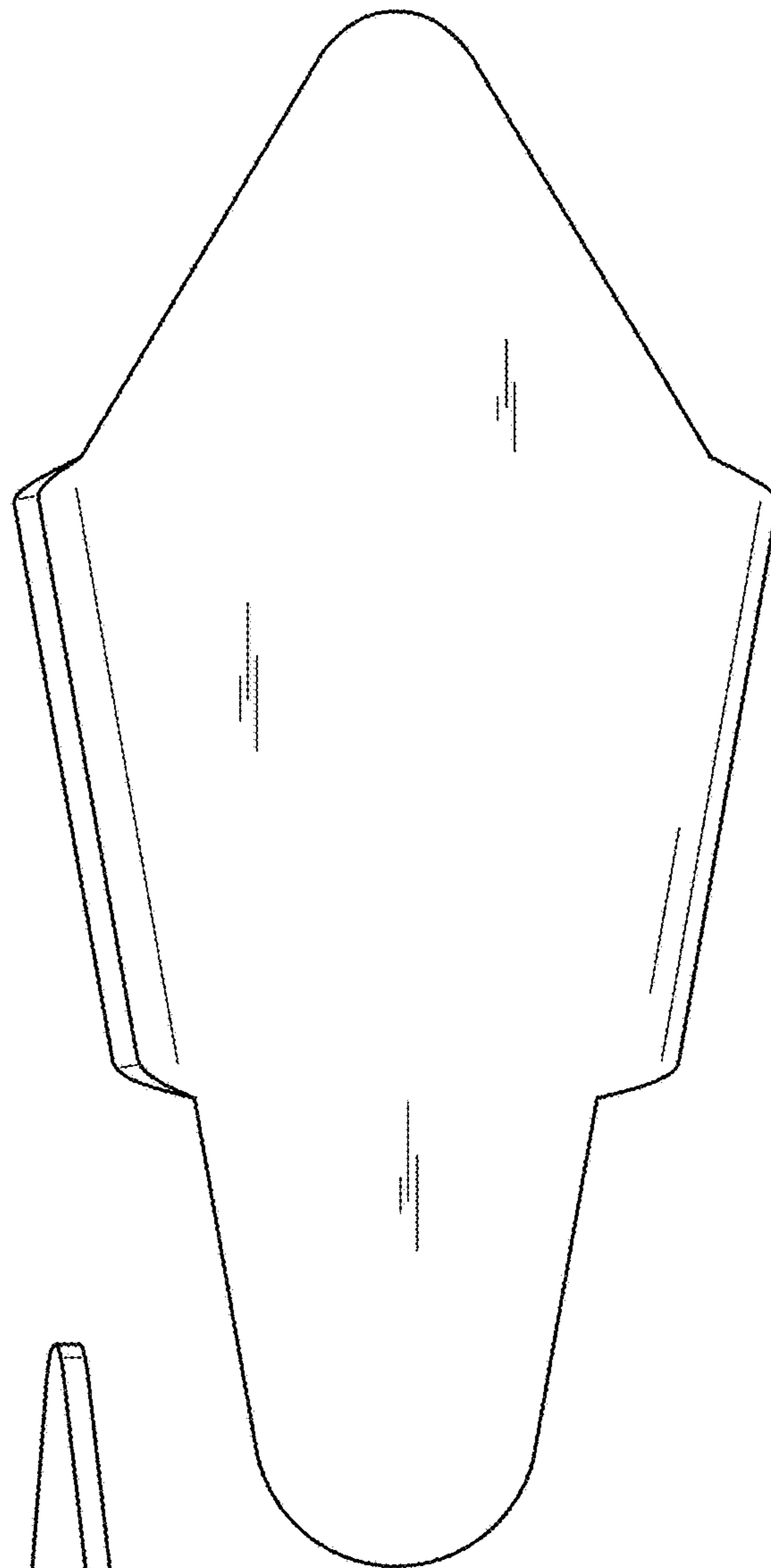
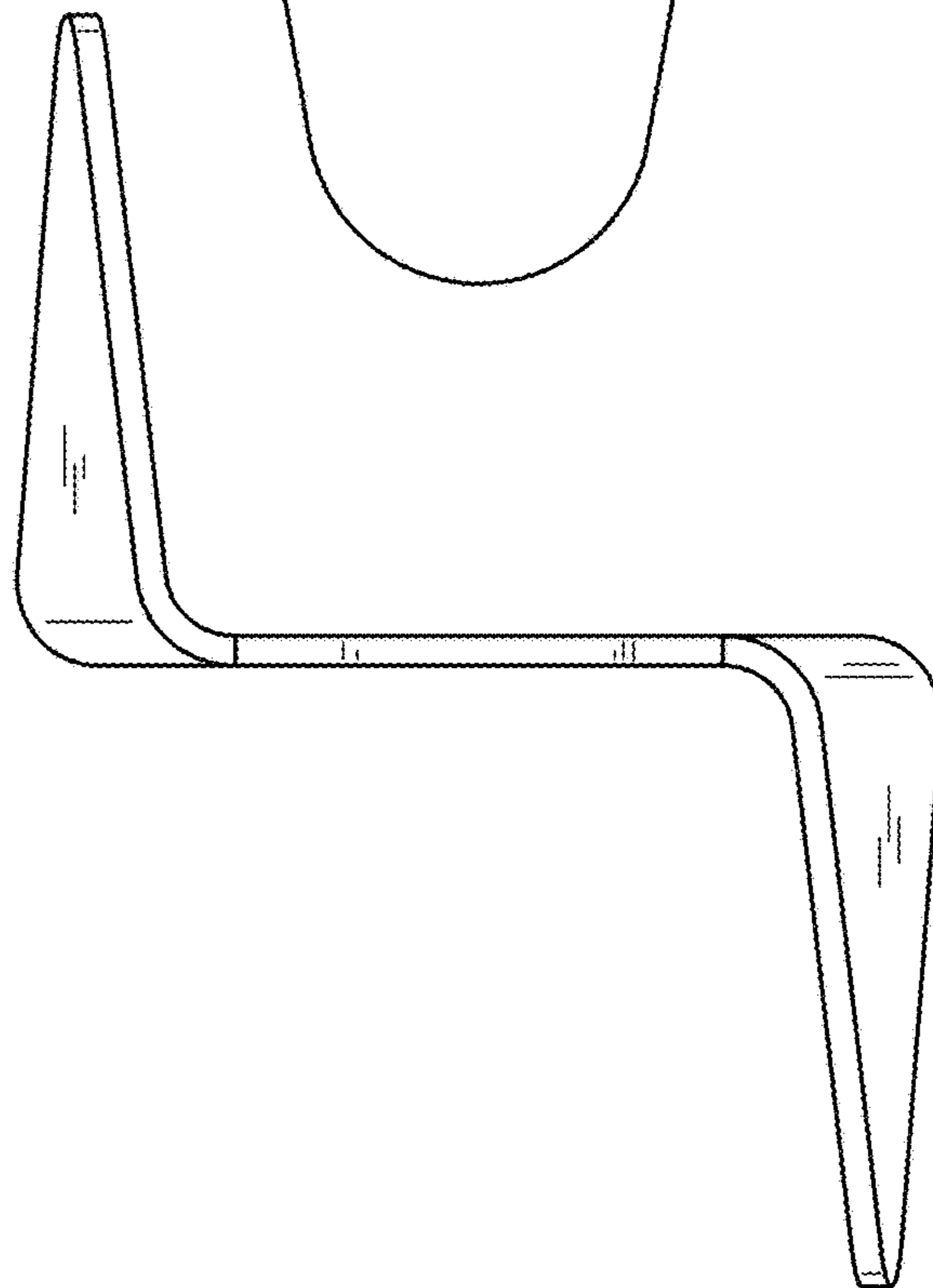


FIG. 3



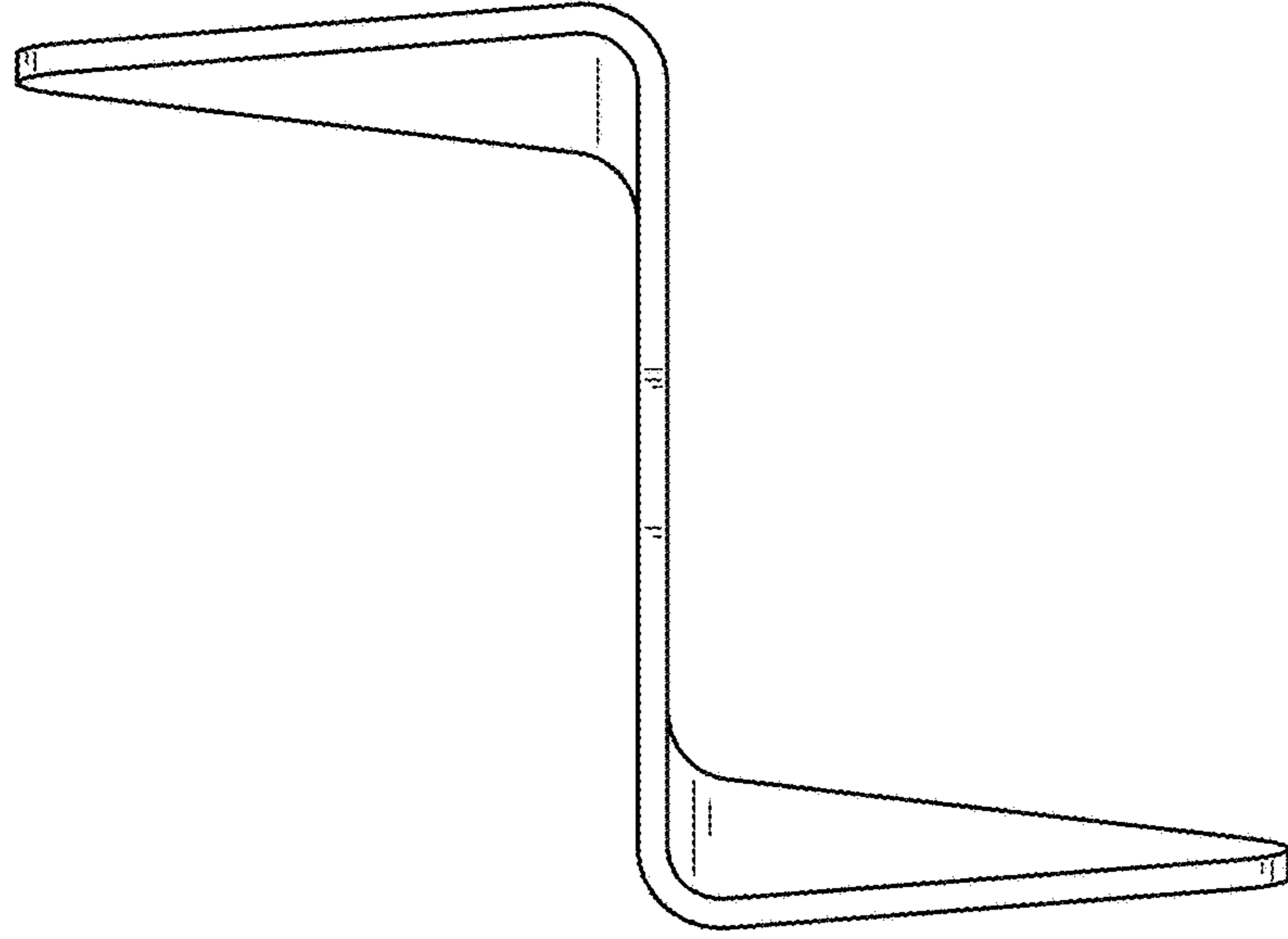


FIG. 5

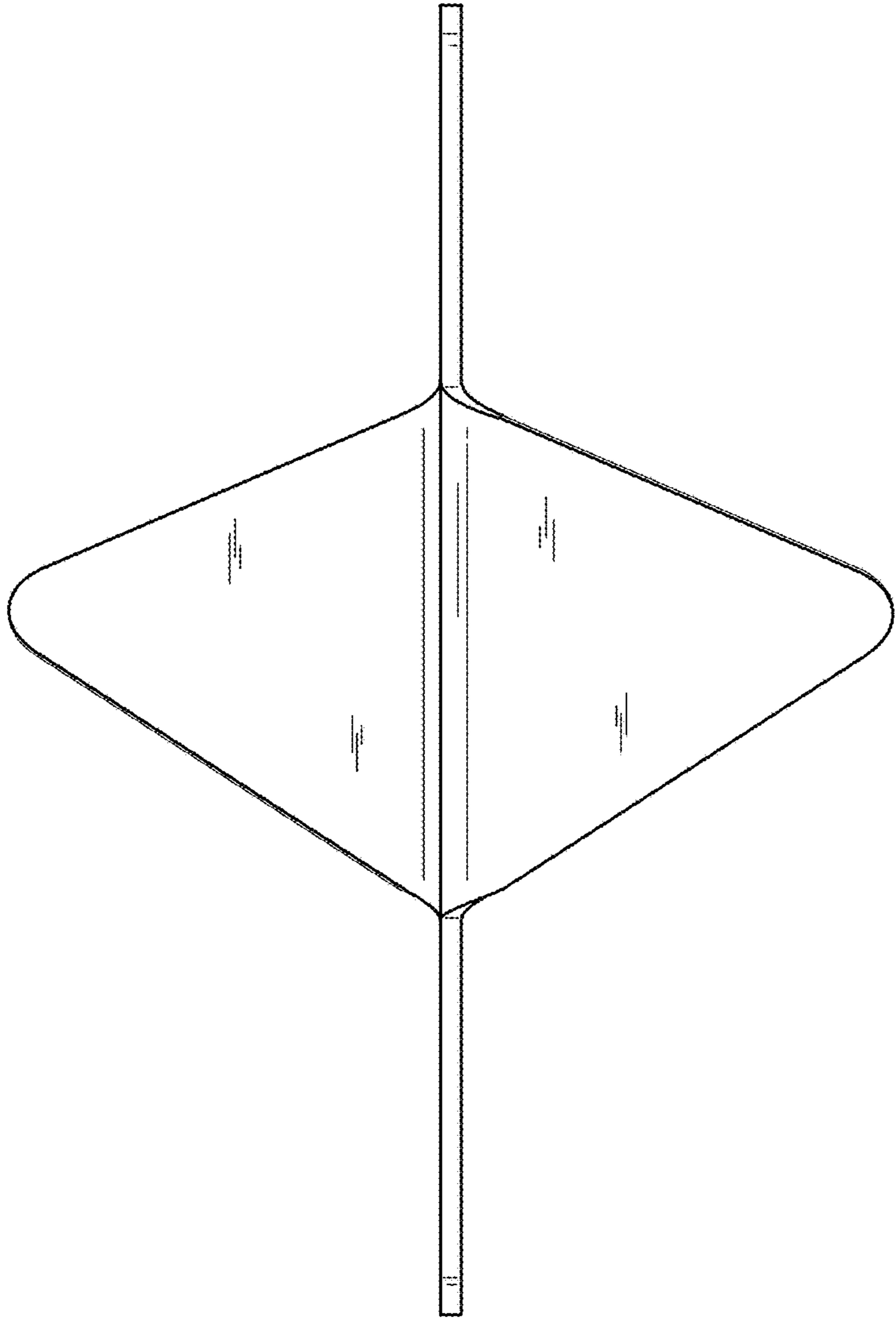


FIG. 4

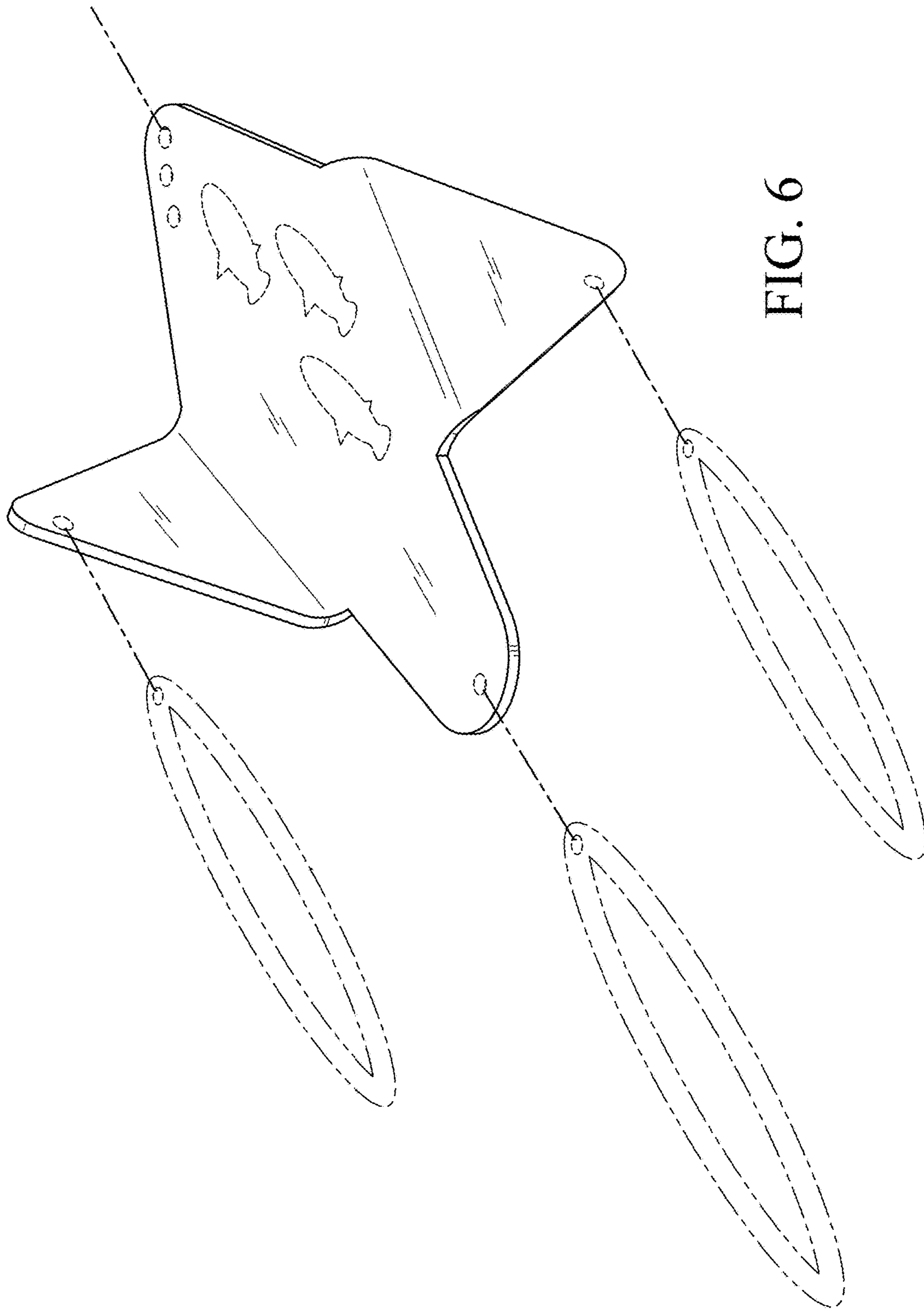


FIG. 6