



US00D783765S

(12) **United States Design Patent**
MacTavish, Sr.

(10) **Patent No.:** **US D783,765 S**

(45) **Date of Patent:** **** Apr. 11, 2017**

(54) **RINGED GAS CHECK**

(71) Applicant: **William Dirk MacTavish, Sr.**,
Hopkinsville, KY (US)

(72) Inventor: **William Dirk MacTavish, Sr.**,
Hopkinsville, KY (US)

(**) Term: **15 Years**

(21) Appl. No.: **29/546,417**

(22) Filed: **Nov. 23, 2015**

(51) **LOC (10) Cl.** **22-03**

(52) **U.S. Cl.**
USPC **D22/116**

(58) **Field of Classification Search**
USPC D22/115-116
CPC F41A 9/83; F41A 9/82; F41A 9/01; F41A
9/09; F41A 9/86; F42B 30/02; F42B
5/02; F42B 5/26; F42B 12/34; F42B
8/04; F42B 10/22; F42B 8/14; F42B 3/04
See application file for complete search history.

D460,398 S	7/2002	Berry	
D469,345 S	1/2003	Berry	
D682,979 S *	5/2013	MacTavish D22/115
9,428,142 B2 *	8/2016	Divo B60R 21/264
2011/0048272 A1 *	3/2011	Hall F42B 14/02
			102/517
2011/0197487 A1 *	8/2011	Humston F41A 21/34
			42/1.06
2016/0282094 A1 *	9/2016	Brown F42B 14/06
2016/0305752 A1 *	10/2016	Achiaz F42B 12/76

* cited by examiner

Primary Examiner — Michael A Pratt

(74) *Attorney, Agent, or Firm* — Marcum Tennyson
PLLC; Julie A. Tennyson

(57) **CLAIM**

I claim the ornamental design for a ringed gas check, as shown and described.

(56) **References Cited**

U.S. PATENT DOCUMENTS

5,048,216 A *	9/1991	Casull F41A 3/76
			42/59
5,295,747 A *	3/1994	Vinci F01P 11/14
			374/145

DESCRIPTION

FIG. 1 is a perspective view of a ringed gas check.
FIG. 2 is a top view of a ringed gas check; and,
FIG. 3 is a bottom view of a ringed gas check.

1 Claim, 3 Drawing Sheets

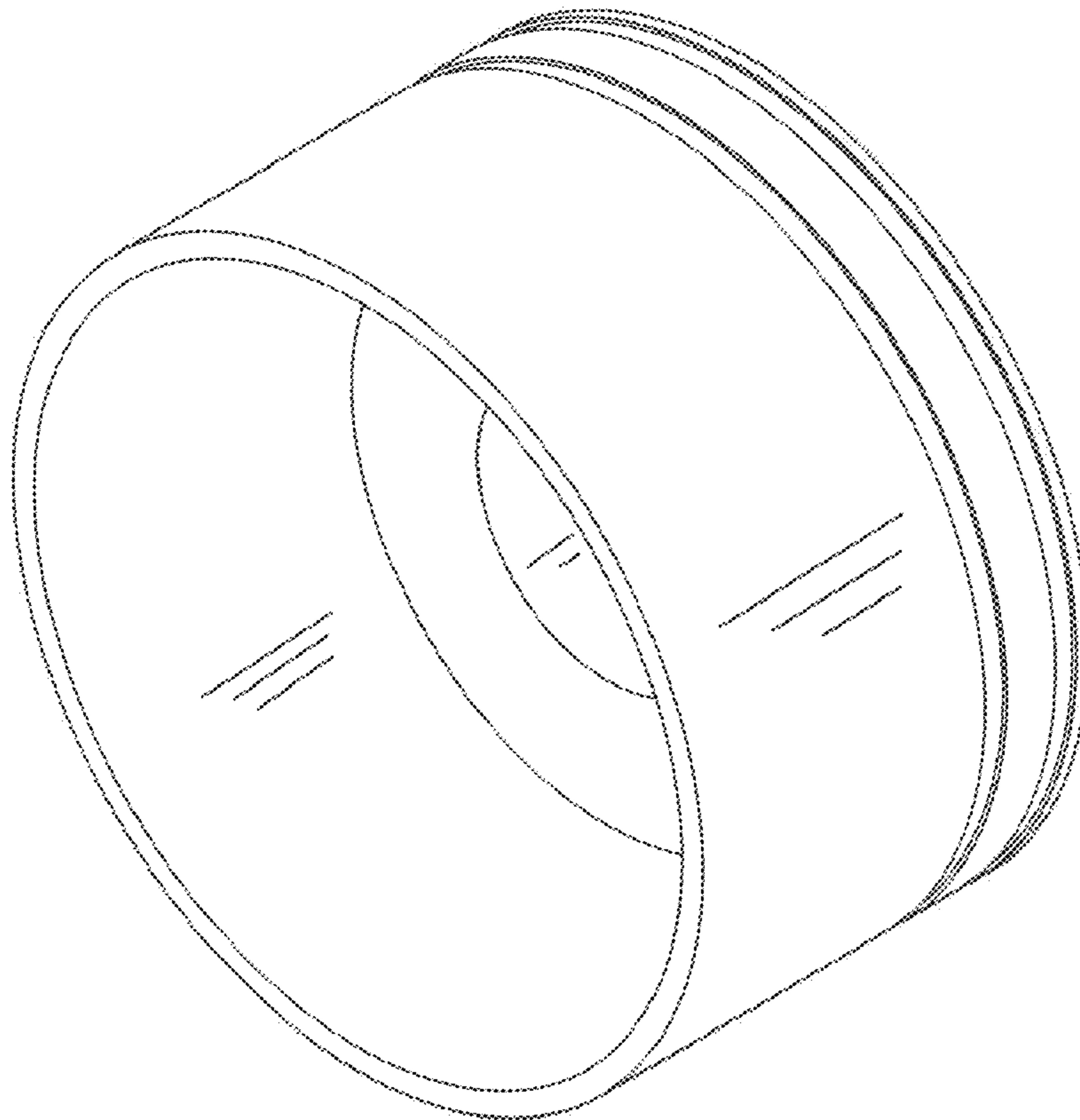


Figure 1

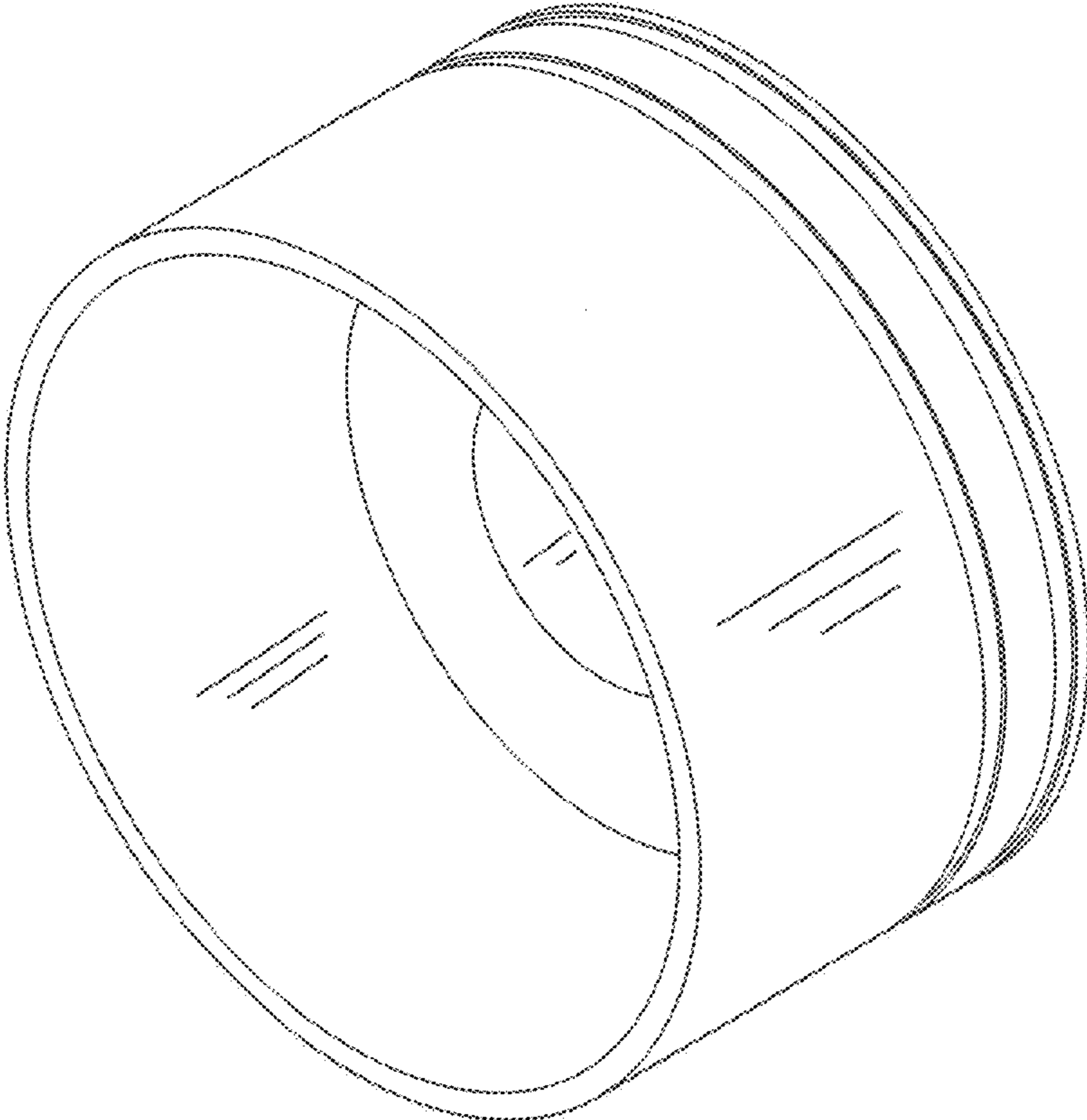


Figure 2

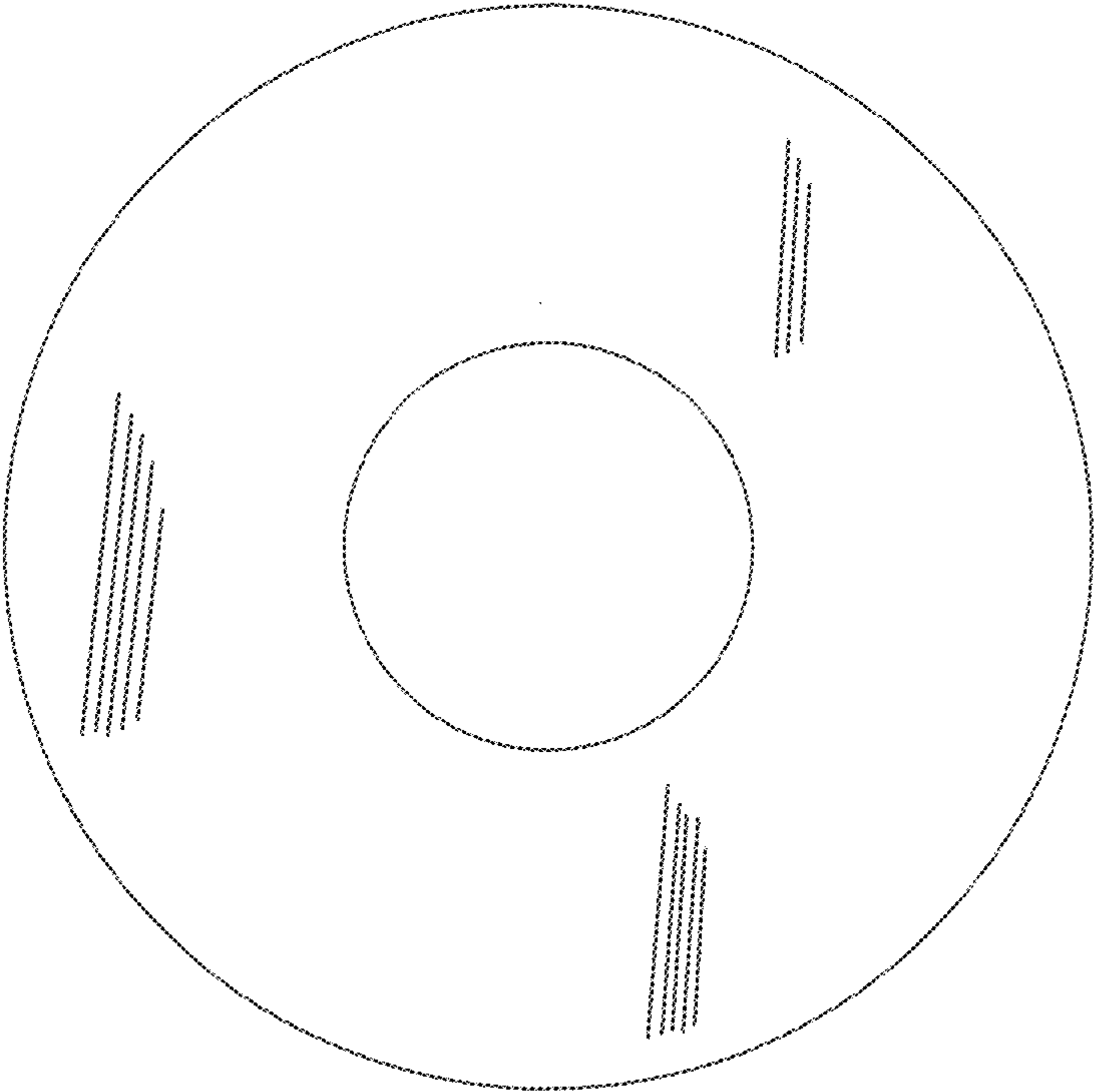


Figure 3

