



US00D783764S

(12) **United States Design Patent** (10) **Patent No.:** **US D783,764 S**
Byars et al. (45) **Date of Patent:** **** Apr. 11, 2017**

(54) **OPTICAL DEVICE RETICLE FOR ROCKET PROPELLED GRENADE SCOPE OR OTHER PROJECTILE-WEAPON AIMING DEVICE**

D704,295 S * 5/2014 Hodge D22/109
2011/0132983 A1* 6/2011 Sammut F41G 1/38
235/404
2014/0059915 A1* 3/2014 Sammut F41G 1/38
42/122

(71) Applicant: **AIRTRONIC USA, LLC**, Spring Branch, TX (US)

(72) Inventors: **Mike Byars**, Spring Branch, TX (US); **Ryan Mezynski**, Spring Branch, TX (US)

(73) Assignee: **AIRTRONIC USA, LLC**, Spring Branch, TX (US)

(**) Term: **15 Years**

(21) Appl. No.: **29/542,206**

(22) Filed: **Oct. 12, 2015**

(51) **LOC (10) Cl.** **22-01**

(52) **U.S. Cl.**
USPC **D22/109**; D16/136

(58) **Field of Classification Search**
USPC D22/108-109; D14/404; D16/130-136;
D24/137, 172

CPC ... F41G 3/00; F41G 3/005; F41G 3/02; F41G 3/06; F41G 1/12; F41G 1/44; F41G 1/345; F41G 1/473; F41G 11/00

See application file for complete search history.

(56) **References Cited**

U.S. PATENT DOCUMENTS

1,708,389 A * 4/1929 Karnes F41G 3/00
89/41.22
D370,259 S * 5/1996 Teich D21/306
D683,418 S * 5/2013 Beckett D22/109
D684,653 S * 6/2013 Smith D22/109
D703,784 S * 4/2014 Smith D22/109

OTHER PUBLICATIONS

RPG-7, posted at imfdb, posting date May 21, 2011. [online], [site visited Aug. 3, 2016]. Available from Internet, <URL: <http://www.imfdb.org/wiki/RPG-7>>.*

Vector Optics SCOM-03 Zealot 3-12x42 Tactical/Hunting Scope with Green and Red Illuminated Range Finder Reticle, posted at Vector Optics, posting date Nov. 15, 2013. [online], [site visited Aug. 3, 2016]. Available from Internet, <URL: <http://www.vectoroptics.com/Vector-Optics-SCOM-03-Zealot-Scope-Product.html>>.*

(Continued)

Primary Examiner — Kevin Rudzinski

Assistant Examiner — Kathleen Jones

(74) *Attorney, Agent, or Firm* — Polsinelli PC

(57) **CLAIM**

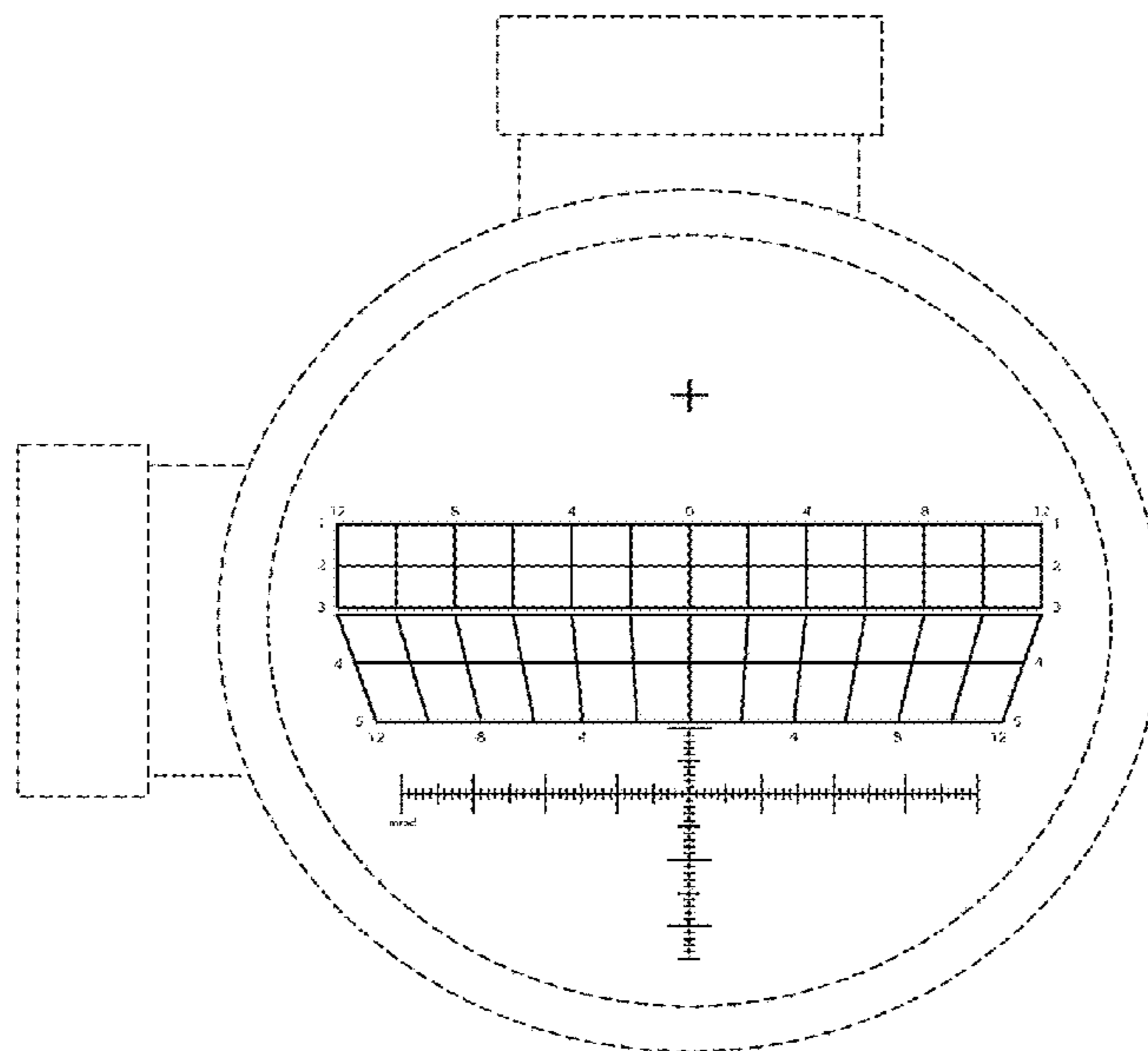
We claim the ornamental design for an optical device reticle for rocket propelled grenade scope or other projectile-weapon aiming device, as shown and described.

DESCRIPTION

FIG. 1 is a front view of an optical device reticle for rocket propelled grenade scope or other projectile-weapon aiming device, showing our new design; and, FIG. 2 is a perspective view of an environment of use for the reticle thereof.

Broken lines are for illustrating an environment related to the claimed design of the optical device reticle for rocket propelled grenade scope or other projectile-weapon aiming device; the broken lines form no part of the claimed design.

1 Claim, 2 Drawing Sheets



(56)

References Cited

OTHER PUBLICATIONS

Schmidt Bender PMII 3-20x50 Tremor2 Scope, posted at EuroOptic, posting date Nov. 5, 2013. [online], [site visited Aug. 3, 2016]. Available from Internet, <URL: <http://www.eurooptic.com/schmidt-bender-pmii-3-20x50-1-p-horus-tremor2-mrad-locking-mtc-ccw-ral8000.aspx>>.*

Eschenbach Metric Hole Scale 1152-02, posted at Magnifying Aids, posting date Feb. 19, 2011. [online], [site visited Aug. 3, 2016]. Available from Internet, <URL: http://www.magnifyingaids.com/Eschenbach_Metric_Hole_Scale>.*

* cited by examiner

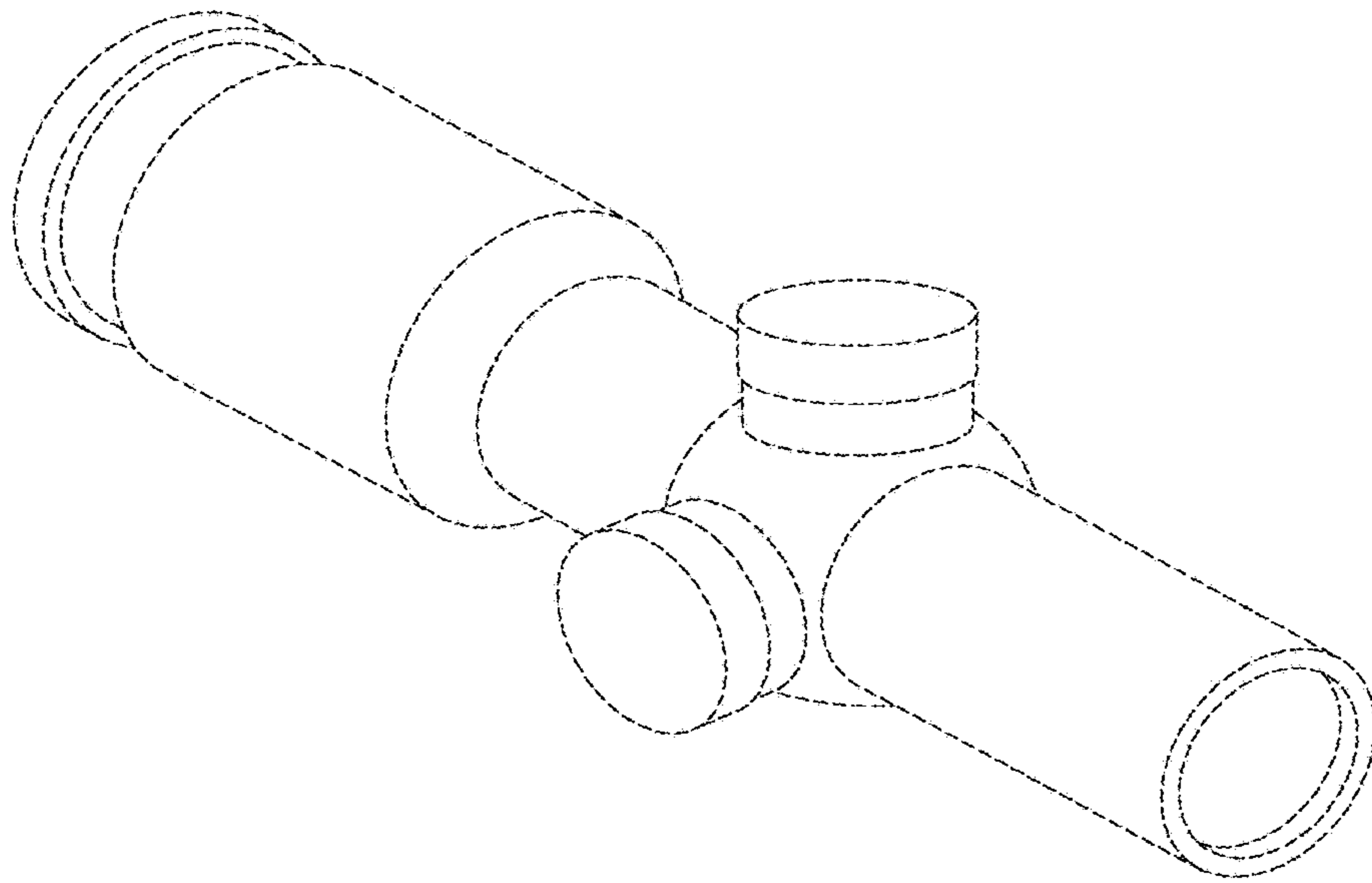


FIG. 2