



US00D783763S

(12) **United States Design Patent** (10) **Patent No.:** **US D783,763 S**
Pride (45) **Date of Patent:** **** Apr. 11, 2017**

(54) **OPTICAL SIGHT RETICLE**
(71) Applicant: **John Pride**, La Verne, CA (US)
(72) Inventor: **John Pride**, La Verne, CA (US)
(**) Term: **15 Years**
(21) Appl. No.: **29/536,601**
(22) Filed: **Aug. 18, 2015**
(51) **LOC (10) Cl.** **22-01**
(52) **U.S. Cl.**
USPC **D22/109**; D16/136
(58) **Field of Classification Search**
USPC D22/108-109; D14/404; D16/130-136;
D24/137, 172
CPC ... F41G 3/00; F41G 3/005; F41G 3/02; F41G
3/06; F41G 1/12; F41G 1/44; F41G
1/345; F41G 1/473; F41G 11/00
See application file for complete search history.

2014/0059915 A1* 3/2014 Sammut F41G 1/38
42/122
2014/0068993 A1* 3/2014 Mikroulis F41G 1/473
42/122
2016/0290765 A1* 10/2016 Maryfield F41G 1/30

OTHER PUBLICATIONS

3-12 x 42mm Rapid Reticle 5.56 / 7.62 Scope, Matte Black, posted at Sportsman's Guide, oldest comment posted in 2014. [online], [site visited Jul. 22, 2016]. Available from Internet, <URL: http://www.sportsmansguide.com/product/index/3-12-x-42mm-rapid-reticle-556-762-scope-matte-black?a=1581273>.*
Pride Fowler Rapid Reticle Evolution Rifle Scope 30mm Tube 312x42mm, posted at MidwayUSA, oldest comment posted May 3, 2014. [online], [site visited Jul. 22, 2016]. Available from Internet, <URL:http://www.midwayusa.com/product/144979/pride-fowler-rapid-reticle-evolution-rifle-scope-30mm-tube-3-12x-42mm-first-focal-illuminated-ballistic-22lr-reticle>.*

(Continued)

Primary Examiner — Kevin Rudzinski
Assistant Examiner — Kathleen Jones

(57) **CLAIM**

The ornamental design for an optical sight reticle, as shown and described.

DESCRIPTION

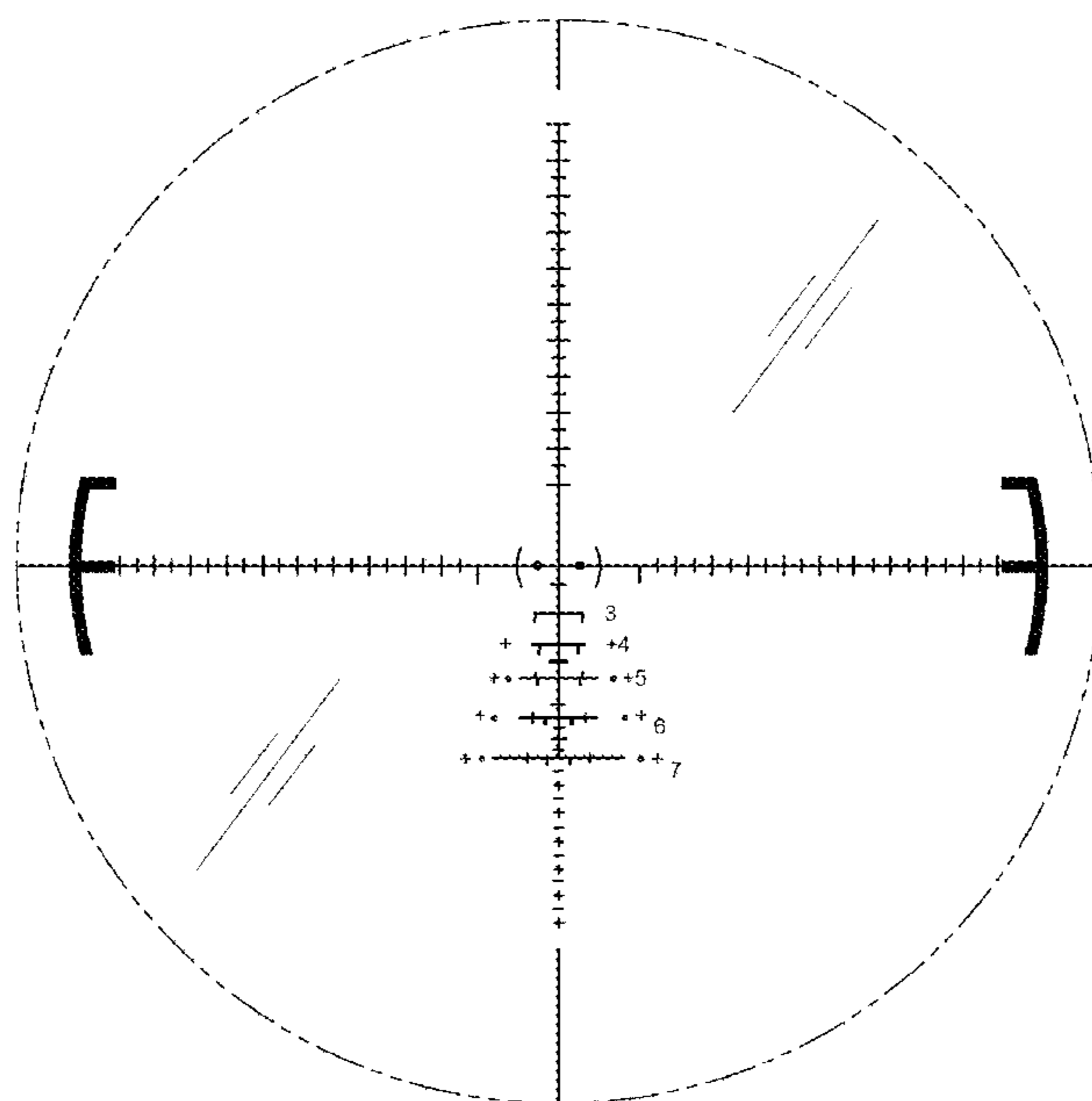
FIG. 1 is a front view of an optical sight reticle showing my new design, the portions in phantom forming no portion of the claimed invention;
FIG. 2 is a rear view of the optical sight reticle, the portions in phantom forming no portion of the claimed invention;
and,
FIG. 3 is a front perspective view of the optical sight reticle, the portions in phantom forming no portion of the claimed invention.

1 Claim, 3 Drawing Sheets

(56) **References Cited**

U.S. PATENT DOCUMENTS

D397,704 S *	9/1998	Reese	D16/130
D522,030 S *	5/2006	Jenkinson	D16/130
D567,324 S *	4/2008	Pride	D22/109
D567,325 S *	4/2008	Pride	D22/109
D567,326 S *	4/2008	Pride	D22/109
D567,896 S *	4/2008	Pride	D22/109
D570,441 S *	6/2008	Pride	D22/109
D631,125 S *	1/2011	Huber	D22/109
D632,754 S *	2/2011	Pride	D22/109
D716,409 S *	10/2014	Mikroulis	D22/109
D720,033 S *	12/2014	Mikroulis	D22/109
D722,360 S *	2/2015	Pride	D22/109
D741,445 S *	10/2015	Pride	D22/109
D755,269 S *	5/2016	Pride	D16/130
D767,077 S *	9/2016	Mikroulis	D22/109



(56)

References Cited

OTHER PUBLICATIONS

Pride Fowler PFI RapidReticle RR Evolution 3 12x42mm, posted at webshops, oldest comment posted Nov. 10, 2013. [online], [site visited Jul. 22, 2016]. Available from Internet, <URL:<http://www.webshops.com/brand/Rapid-Reticle-Evolution-brand/PRIDE-FOWLER-PFI-Rapid-Reticle-3-12x42mm-with-Rapid-Ranging-5-56-7-62x51.html>>.*

Leghorn, Nick, New from PFI: FFP 200 Blackout Scope, posted at the Truth About Guns, posting date Jan. 24, 2013. [online], [site visited Jul. 22, 2016]. Available from Internet, <URL: <http://www.thetruthaboutguns.com/2013/01/foghorn/new-from-pfi-ffp-300-blackout-scope/>>.*

* cited by examiner

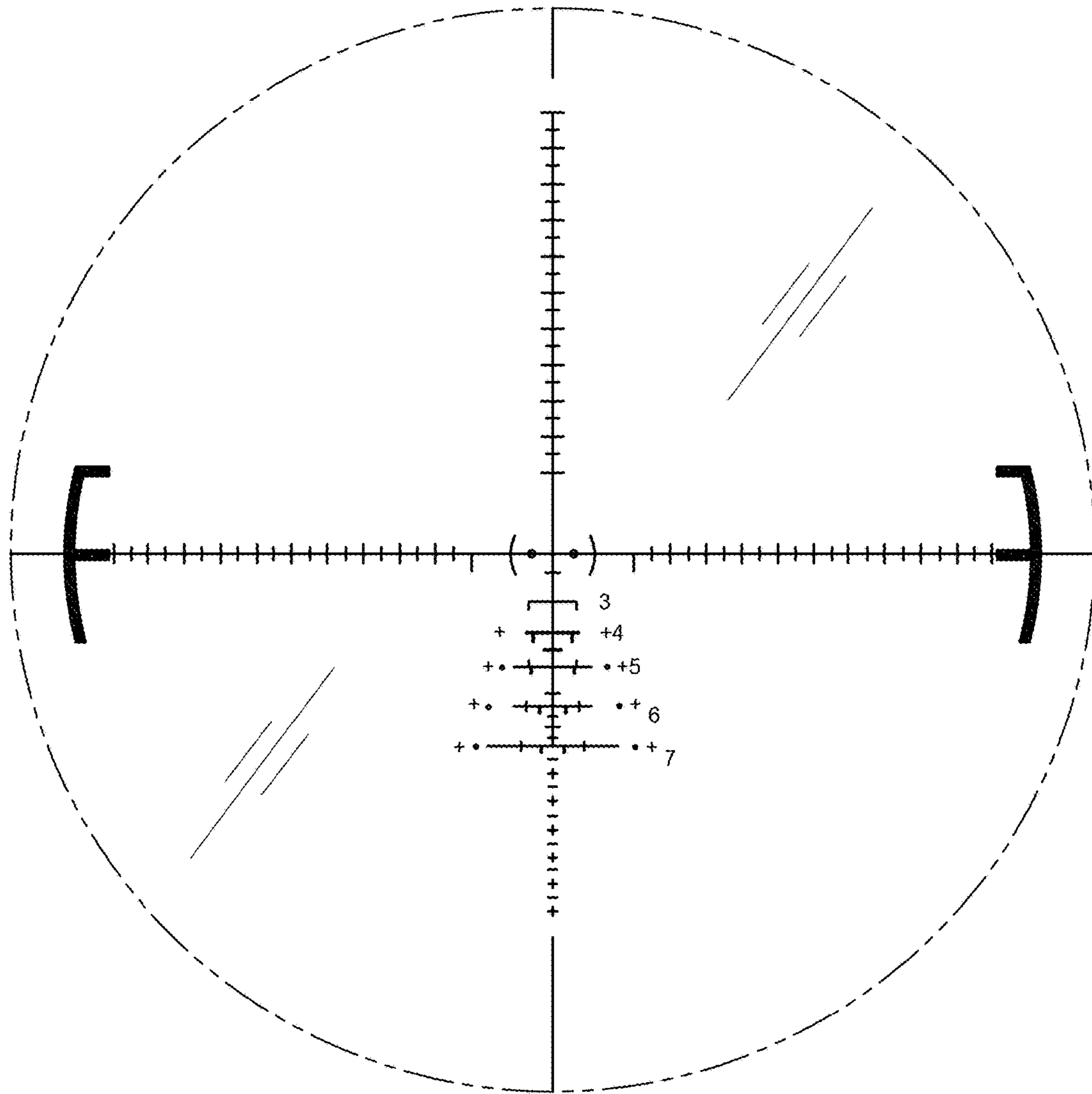
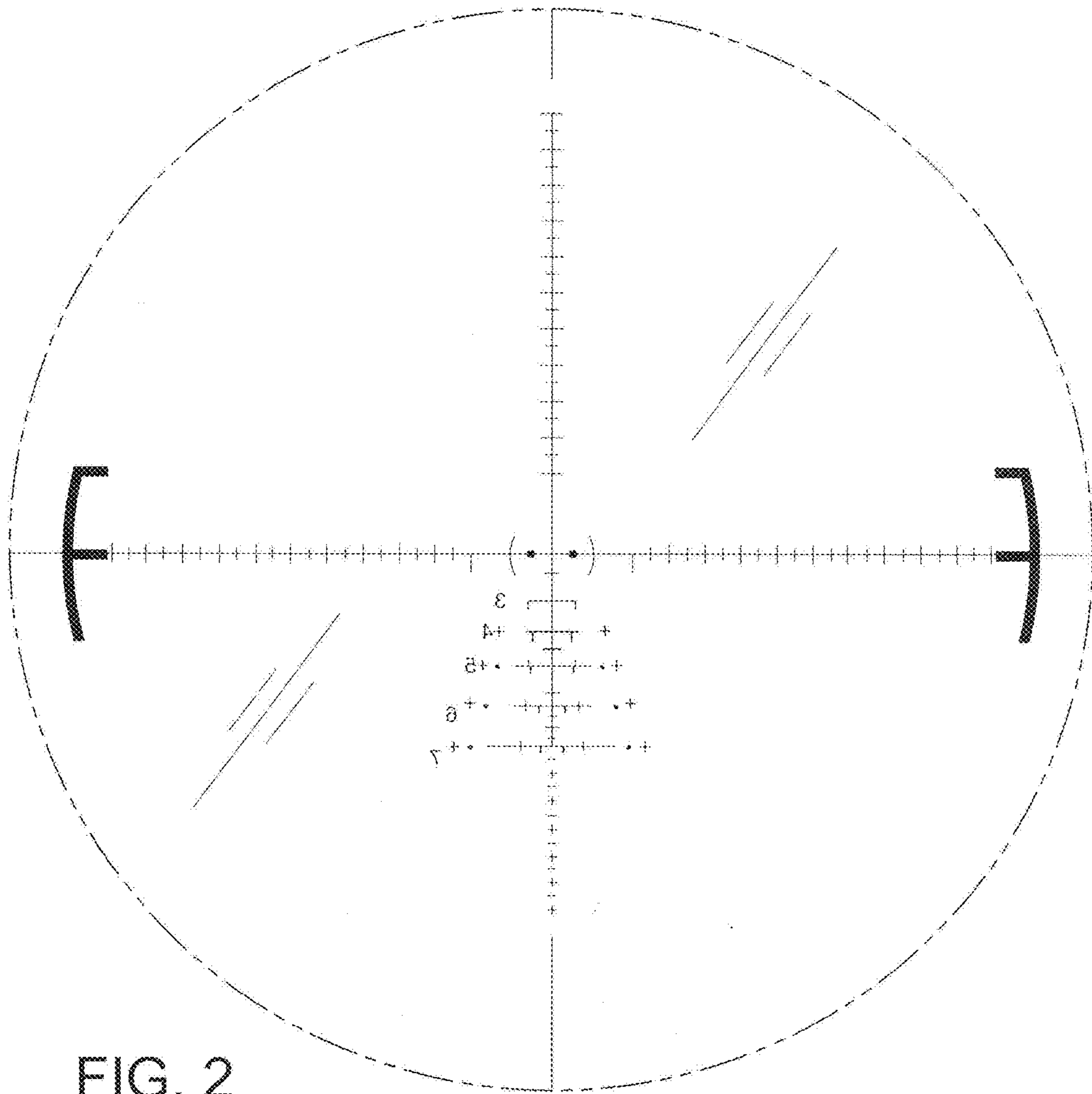


FIG. 1



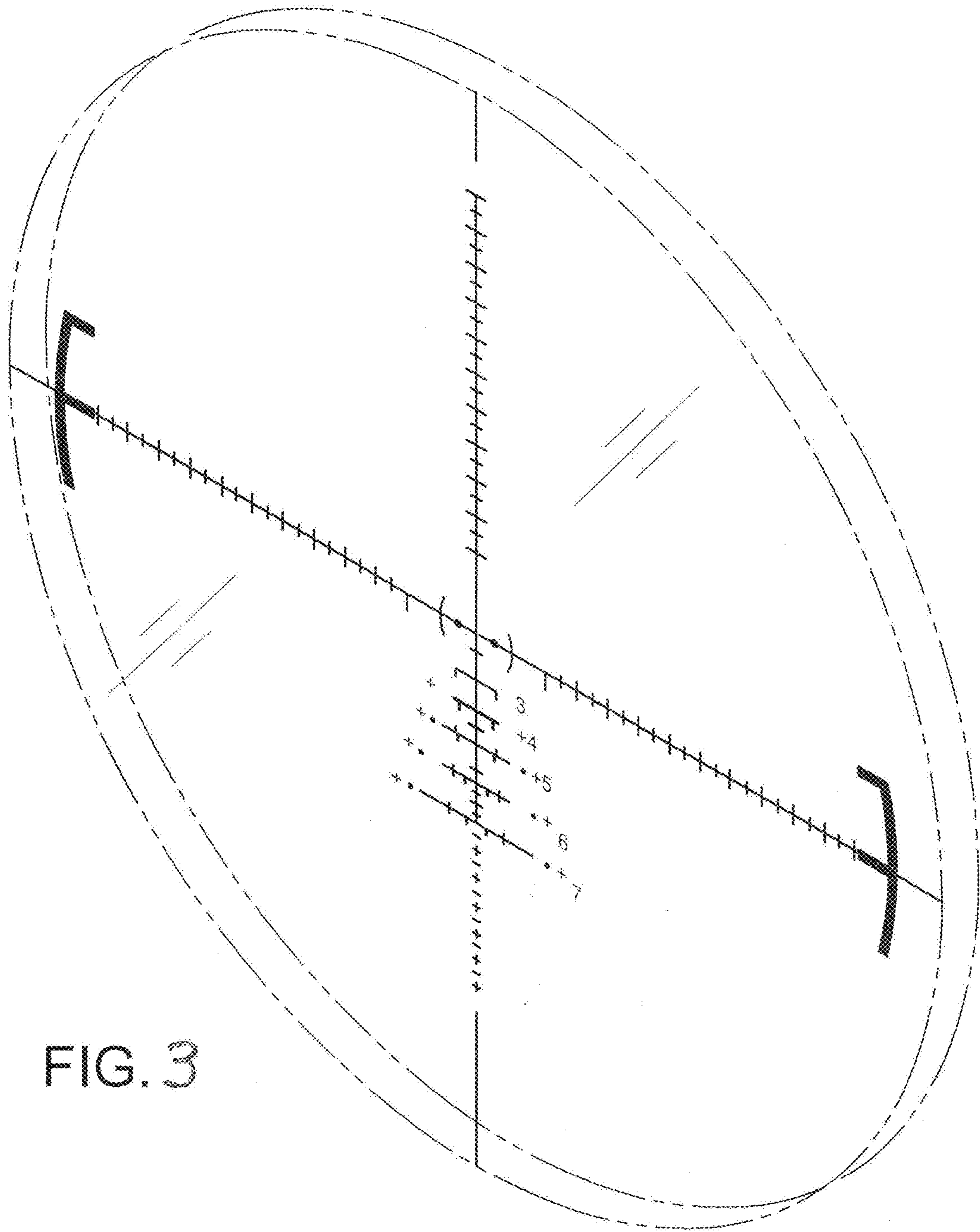


FIG. 3