



US00D783760S

(12) **United States Design Patent**
Pavlick

(10) **Patent No.:** **US D783,760 S**

(45) **Date of Patent:** **** Apr. 11, 2017**

- (54) **FIREARM HANDGUARD**
- (71) Applicant: **Nous Defions, LLC**, Freeport, FL (US)
- (72) Inventor: **David Pavlick**, Freeport, FL (US)
- (73) Assignee: **Nous Defions, LLC**, Freeport, FL (US)
- (**) Term: **15 Years**

9,404,714	B2 *	8/2016	Langevin	F41C 23/16
9,423,216	B2 *	8/2016	Cheng	F41G 11/001
D768,801	S *	10/2016	Morris	D22/108
D770,590	S *	11/2016	Sui	D22/108
D771,216	S *	11/2016	Dubois	D22/108
D773,590	S *	12/2016	Wingate	D22/108
2014/0115939	A1 *	5/2014	Troy	F41C 23/16
					42/72
2015/0135576	A1 *	5/2015	Wells	F41C 23/16
					42/90

(Continued)

- (21) Appl. No.: **29/551,732**
- (22) Filed: **Jan. 15, 2016**
- (51) **LOC (10) Cl.** **22-01**
- (52) **U.S. Cl.**
USPC **D22/108**
- (58) **Field of Classification Search**
USPC D22/108, 104; D21/571-575; D8/68
CPC F41C 23/10; F41C 23/14; F41C 23/16;
F41C 23/18
See application file for complete search history.

OTHER PUBLICATIONS

DR Interview with David Pavlick of Nous Defions, DefenseReview.com, by David Crane, Nov. 3, 2015, [online], [site visited Dec. 28, 2016]. <URL: http://www.defensereview.com/dr-interview-with-david-pavlick-nous-defions-about-arsenal-democracys-future-and-tactical-ar-carbinesbr-and-blackside-glock-combattactical-pistol-accessories-components-and-par.*>

(Continued)

Primary Examiner — T. Chase Nelson
Assistant Examiner — Jonathan J Han
(74) *Attorney, Agent, or Firm* — Snell & Wilmer L.L.P.

(56) **References Cited**

U.S. PATENT DOCUMENTS

D544,564	S *	6/2007	Swan	D22/108
D606,155	S *	12/2009	Swan	D22/108
D606,156	S *	12/2009	Swan	D22/108
8,037,633	B1 *	10/2011	Troy	F41C 23/16
					42/71.01
8,201,353	B1 *	6/2012	Swan	F41C 23/16
					42/71.01
D692,516	S *	10/2013	Yan	D22/108
D703,286	S *	4/2014	Chen	D22/108
D708,693	S *	7/2014	Faxon	D22/108
D711,492	S *	8/2014	Yan	D22/108
8,844,186	B2 *	9/2014	Leclair	F41C 23/16
					42/71.01
D733,246	S *	6/2015	Wells	D22/108
D736,886	S *	8/2015	Cheng	D22/108
D737,397	S *	8/2015	Cheng	D22/108
D747,426	S *	1/2016	Cheng	D22/108
D751,663	S *	3/2016	Ding	D22/108

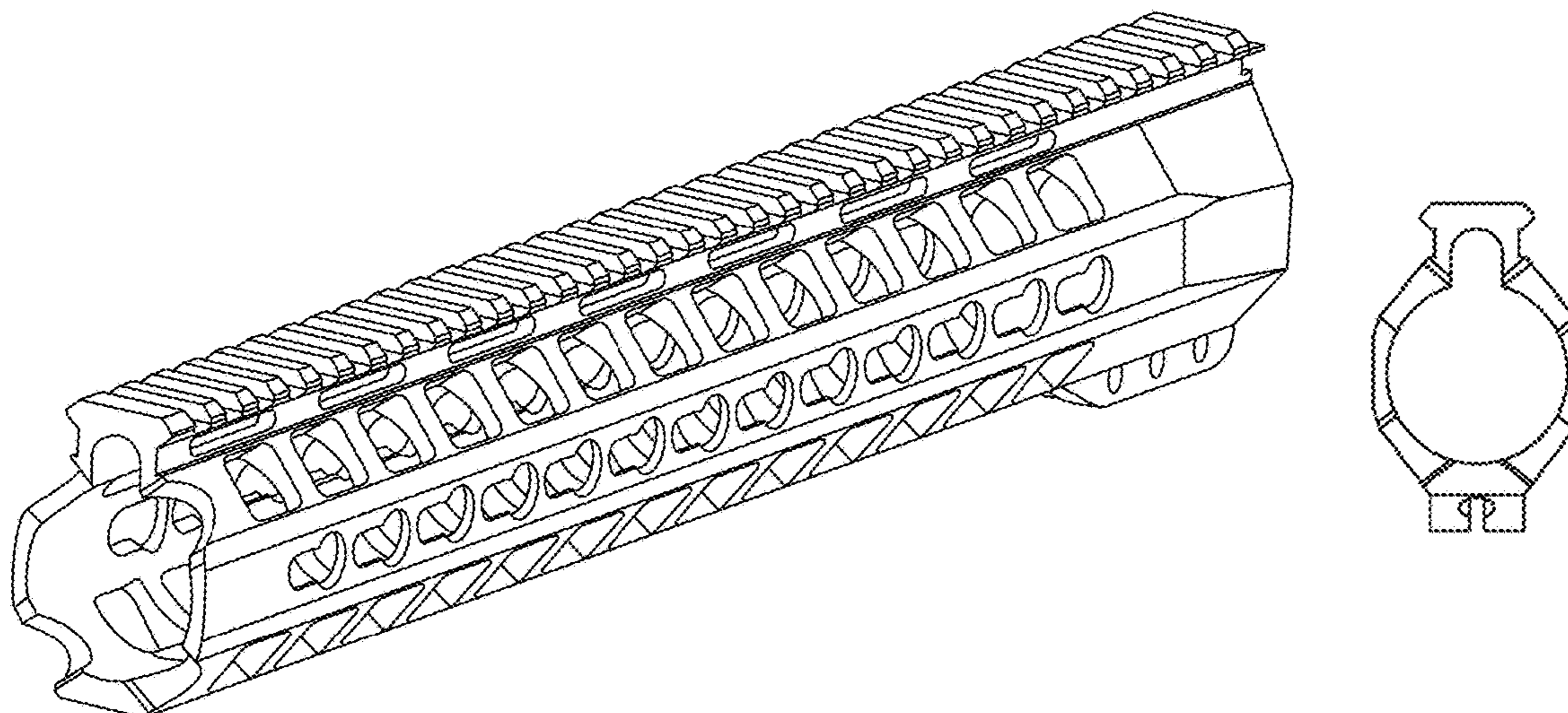
(57) **CLAIM**

The ornamental design of a firearm handguard, as shown and described.

DESCRIPTION

FIG. 1 is a top perspective view of a firearm handguard; FIG. 2 is a front view thereof; FIG. 3 is a rear view thereof; FIG. 4 is a left view thereof; FIG. 5 is a right view thereof; FIG. 6 is a top view thereof; and, FIG. 7 is a bottom view thereof.

1 Claim, 4 Drawing Sheets



(56)

References Cited

U.S. PATENT DOCUMENTS

2015/0168095	A1 *	6/2015	Dubreuil	F41C 23/16 42/90
2015/0168096	A1 *	6/2015	Miller	F41G 1/44 42/71.01
2015/0192385	A1 *	7/2015	Krebs	F41C 23/16 42/71.01
2015/0241160	A1 *	8/2015	McGinty	F41C 23/16 42/94
2016/0054096	A1 *	2/2016	Dzwill	F41C 23/16 42/75.02
2016/0091276	A1 *	3/2016	Miller	F16B 39/04 42/75.02
2016/0305739	A1 *	10/2016	Garst	F41C 23/16

OTHER PUBLICATIONS

Arsenal Democracy AD PDW 8.5" 5.56mm/300 Blackout (300BLK) . . . , DefenseReview.com, By David Crane, Feb. 22, 2015, [online], [site visited Dec. 28, 2016]. <URL: <http://www.defensereview.com/arsenal-democracy-ad-pdw-tactical-ar-15-sbr-short-barreld-rifle-with-ad-pdw-stock-minimalist-buttstock-and-ambi-controls-for-dynamic-cqbcqc-military-psd-and-vehicl>>.*

Nous Defions/Arsenal Democracy AD-16 (Billet Receivers) . . . , DefenseReview.com, By David Crane, Feb. 23, 2015, [online], [site visited Dec. 28, 2016]. <URL: <http://www.defensereview.com/nous-defionsarsenal-democracy-ad-16-billet-and-ad-15-forged-5-56mm-nato300blk-tactical-ar-15-riflearbinesbrs-with-ambi-ambi-dextrous-controls-and-ballistic-advantage->>.*

Arsenal Democracy at Shot Show 2016, Youtube.com, Steve Coulson, Published on Feb. 1, 2016, [online], [site visited Dec. 28, 2016]. <URL: <https://www.youtube.com/watch?v=q9t4dQPww9g>>.*

AD-15 DC (Duty Carbine), ArsenalDemocracy.us, [online], [site visited Dec. 28, 2016]. <URL: <https://www.arsenaldemocracy.us/product/ad15dc/>>.*

Rainier Arms Force Mod 2 Free Float System 12.0, RainierArms.com, [online], [site visited Dec. 28, 2016]. <URL: <https://www.rainierarms.com/rainier-arms-forcetm-mod-2-free-float-system-12-0>>.*

12.1in SKR, ar15.com, [online], [site visited Dec. 28, 2016]. <URL: <http://www.ar15.com/gear-locker/gearLockerItem.html?i=1165>>.*

New!! Sionics Weapons Systems Patrol Minimalist Rifle, ar15news.com, Posted on Jul. 7, 2014 by ar15news, [online], [site visited Dec. 28, 2016]. <URL: <http://www.ar15news.com/2014/07/07/new-sionics-weapon-systems-patrol-minimalist-rifle/>>.*

* cited by examiner

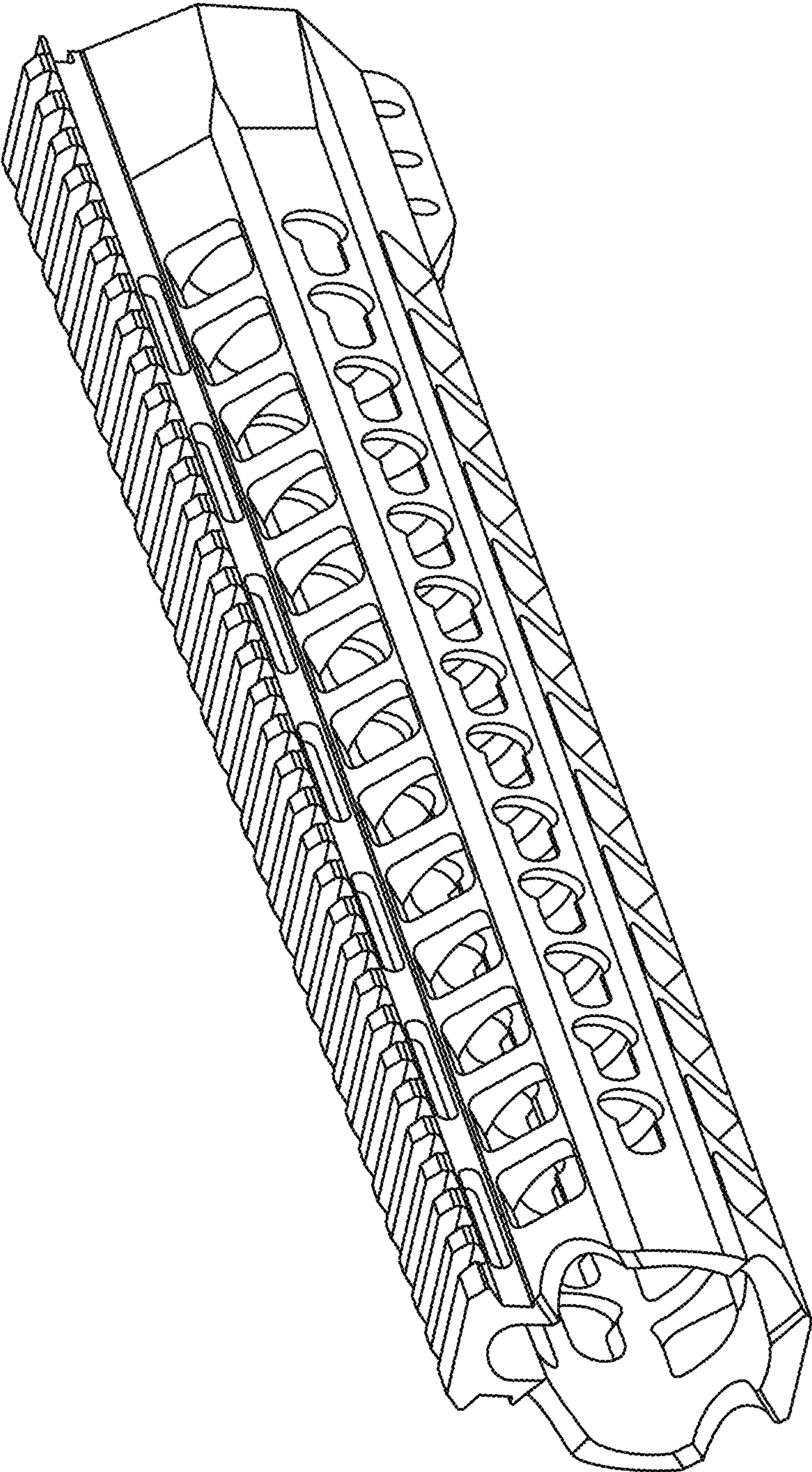


FIG. 1

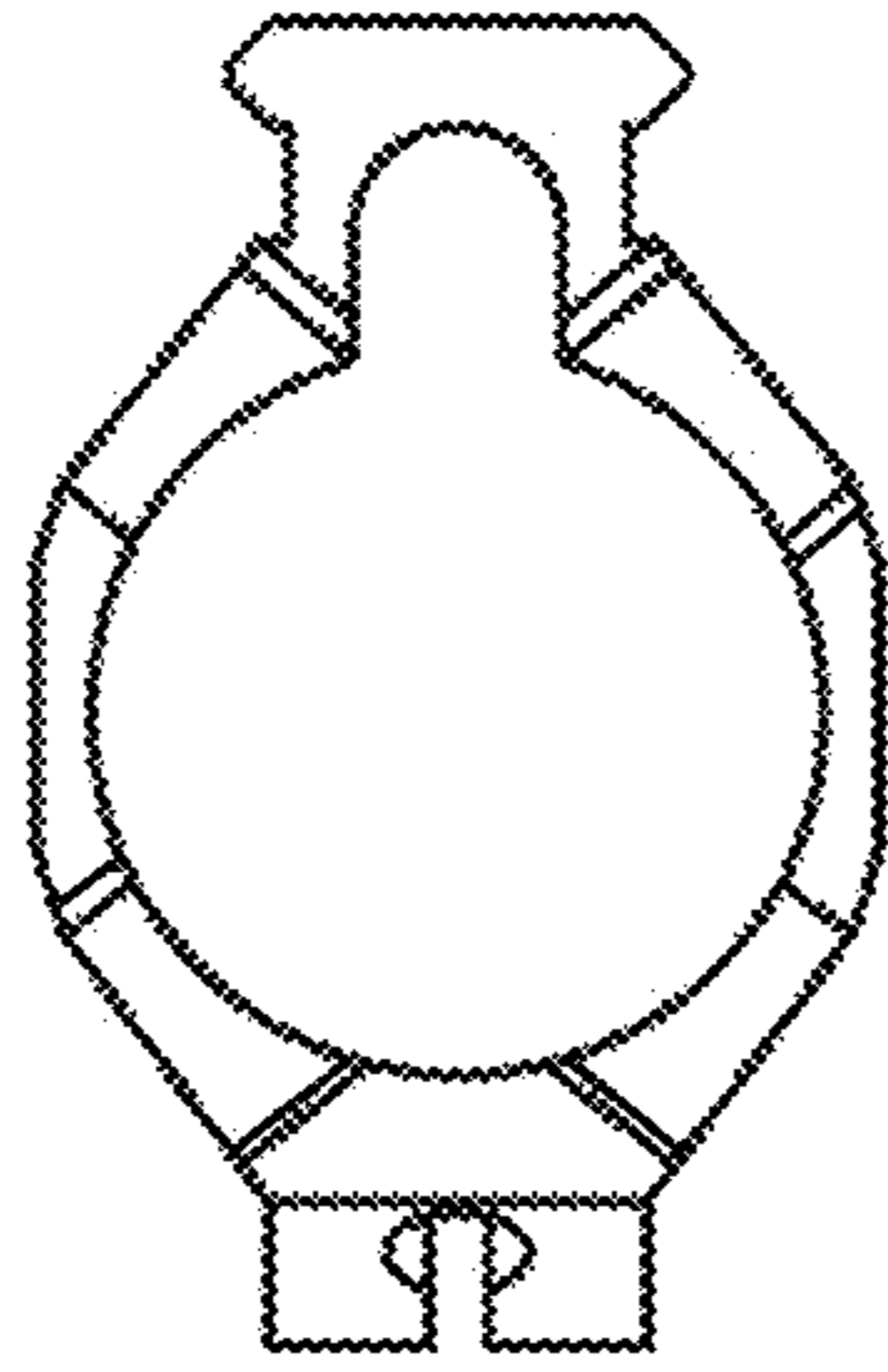


FIG. 2

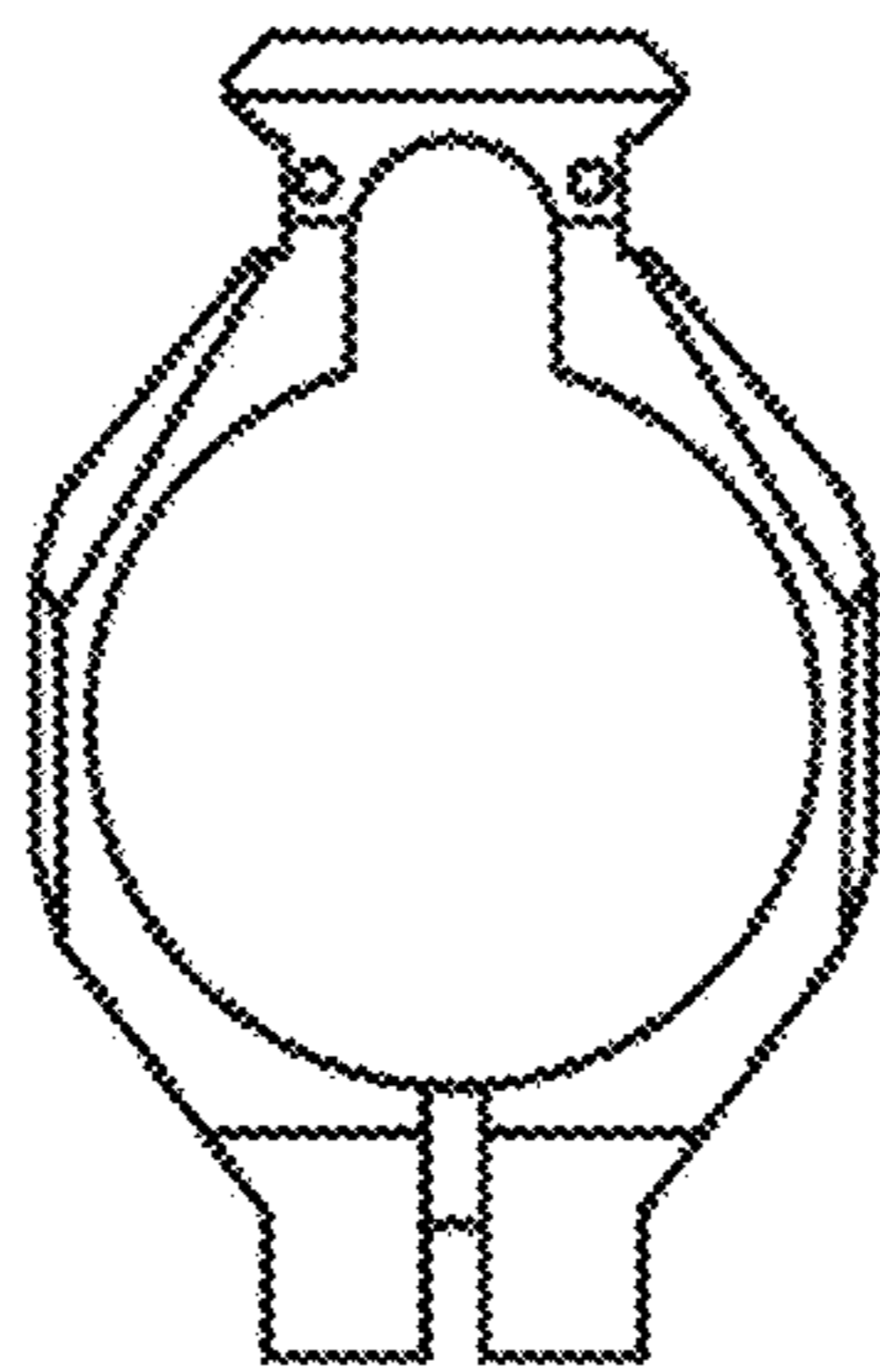


FIG. 3

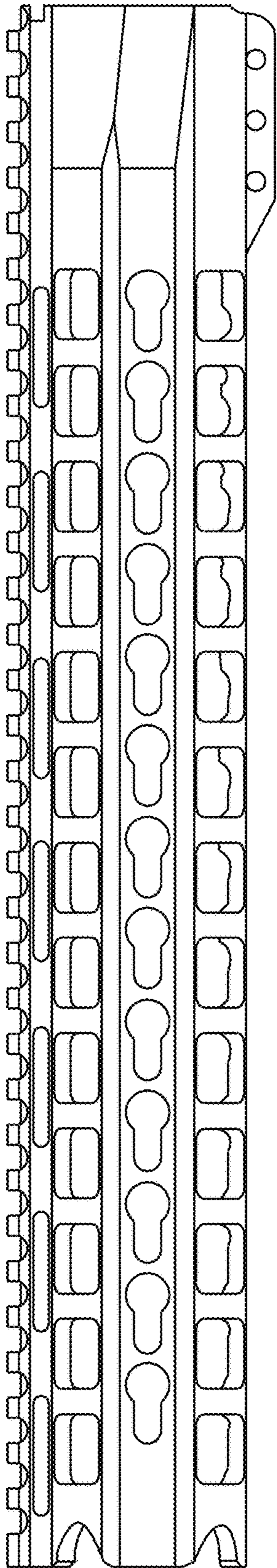


FIG. 4

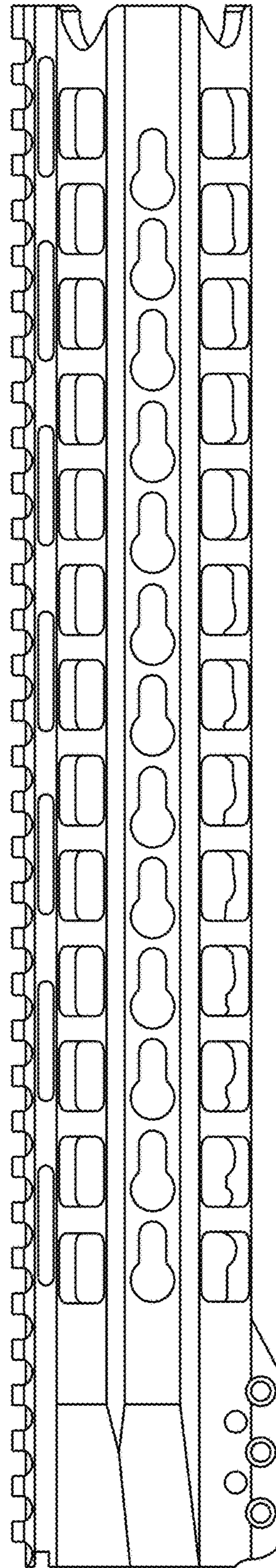


FIG. 5

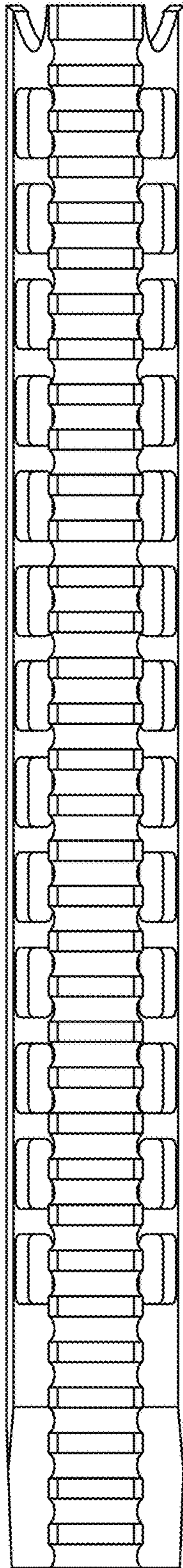


FIG. 6

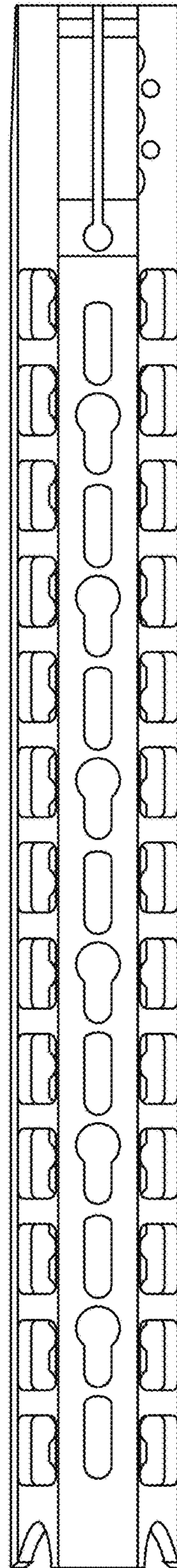


FIG. 7