



US00D783759S

(12) **United States Design Patent** (10) **Patent No.:** **US D783,759 S**
Geissele (45) **Date of Patent:** **** Apr. 11, 2017**

(54) **COMPONENT OF A TRIGGER MECHANISM FOR A FIREARM**

(71) Applicant: **WHG Properties, LLC**, North Wales, PA (US)

(72) Inventor: **William H. Geissele**, Lower Gwynedd, PA (US)

(73) Assignee: **WHG Properties, LLC**, North Wales, PA (US)

(**) Term: **15 Years**

(21) Appl. No.: **29/545,416**

(22) Filed: **Nov. 12, 2015**

Related U.S. Application Data

(62) Division of application No. 29/500,695, filed on Aug. 27, 2014, now Pat. No. Des. 745,943.

(51) **LOC (10) Cl.** **22-01**

(52) **U.S. Cl.**
USPC **D22/108**

(58) **Field of Classification Search**
USPC D22/103, 108
CPC F41A 19/11; F41A 19/21; F41A 19/10;
F41A 17/46; F41A 35/00; F41C 27/00
See application file for complete search history.

(56) **References Cited**

U.S. PATENT DOCUMENTS

4,499,684	A	2/1985	Repa
H144	H	10/1986	Savioli
4,983,803	A	1/1991	Pringle
5,852,270	A	12/1998	Holkeboer
6,760,991	B1	7/2004	Gentry
7,331,136	B2	2/2008	Geissele
7,600,338	B2	10/2009	Geissele
8,069,602	B2	12/2011	Geissele

8,074,393	B2	12/2011	Geissele	
8,443,536	B1	5/2013	Geissele	
9,046,313	B1	6/2015	Lutton	
9,140,510	B1	9/2015	Muska	
D777,285	S *	1/2017	Bender D22/108
2004/0244255	A1	12/2004	Sirois	
2005/0246933	A1	11/2005	McGarry	
2006/0086031	A1	4/2006	Geissele	

(Continued)

OTHER PUBLICATIONS

Infinity Firearms; Infinity Products: Trigger Group (Cot 29, 2014).
(Continued)

Primary Examiner — Michael A Pratt

(74) *Attorney, Agent, or Firm* — Merchant & Gould, PC

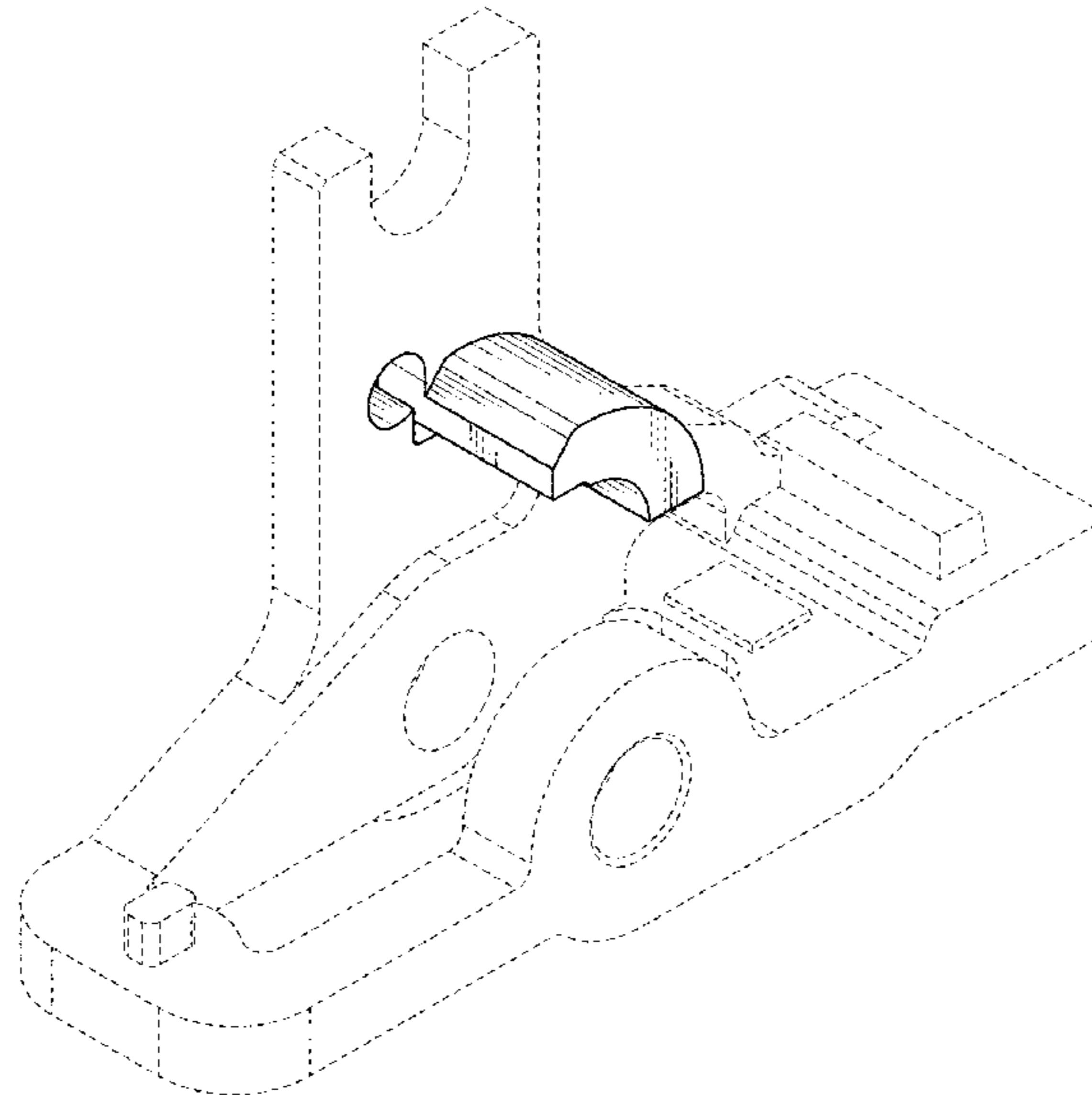
(57) **CLAIM**

The ornamental design for a component of a trigger mechanism for a firearm, as shown and described.

DESCRIPTION

FIG. 1 is an isometric view of a component of a trigger mechanism for a firearm;
FIG. 2 is a front elevation view of the component of a trigger mechanism for a firearm of FIG. 1;
FIG. 3 is a rear elevation view of the component of a trigger mechanism for a firearm of FIG. 1;
FIG. 4 is a right side elevation view of the component of a trigger mechanism for a firearm of FIG. 1;
FIG. 5 is a left side elevation view of the component of a trigger mechanism for a firearm of FIG. 1;
FIG. 6 is a top view of the component of a trigger mechanism for a firearm of FIG. 1; and,
FIG. 7 is a bottom view of the component of a trigger mechanism for a firearm of FIG. 1.
The broken lines in the Figures are for illustrative purposes only and form no part of the claimed design.

1 Claim, 5 Drawing Sheets



(56)

References Cited

U.S. PATENT DOCUMENTS

2007/0051236 A1 3/2007 Groves
2009/0183414 A1 7/2009 Geissele
2014/0246003 A1 9/2014 Lipowski
2015/0153126 A1 6/2015 Bender
2015/0241156 A1 8/2015 Alicea
2015/0253095 A1 9/2015 Wilson

OTHER PUBLICATIONS

Tavor SAR, Semi-automatic rifle operator manual (Jul. 18, 2013).
Infinity Firearms; Infinity Products: Trigger Group (Oct. 29, 2014).

* cited by examiner

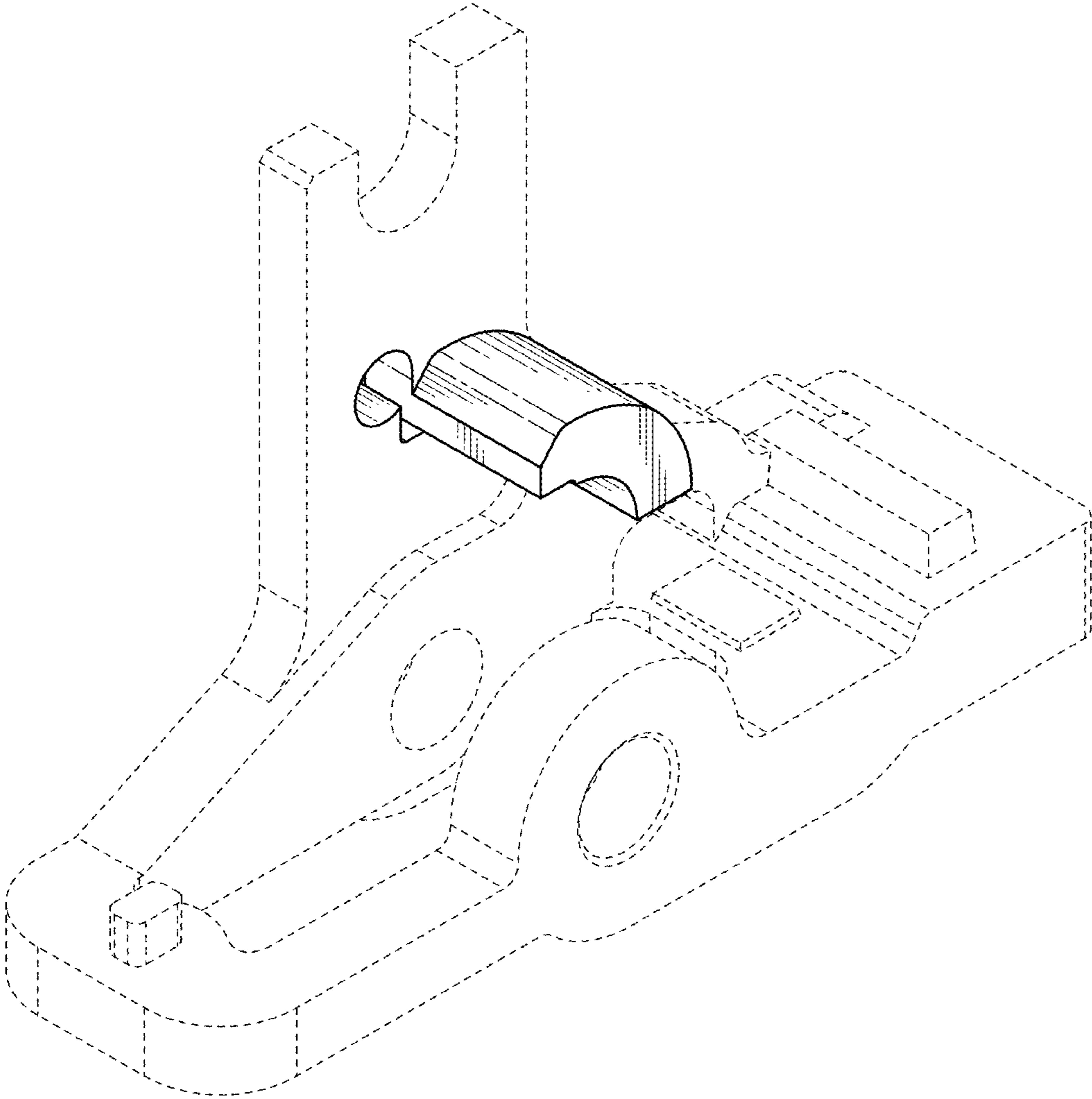


FIG. 1

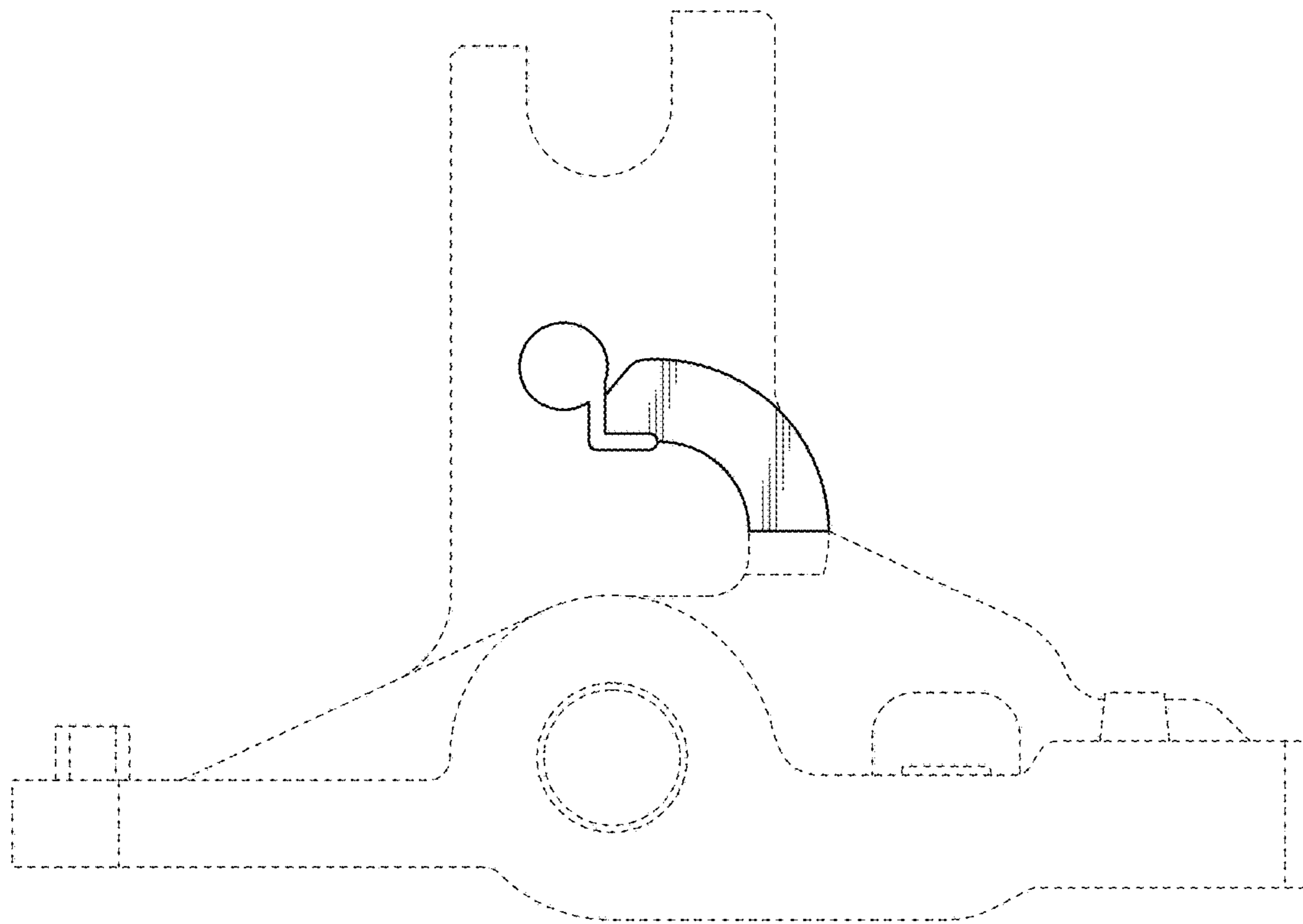


FIG. 2

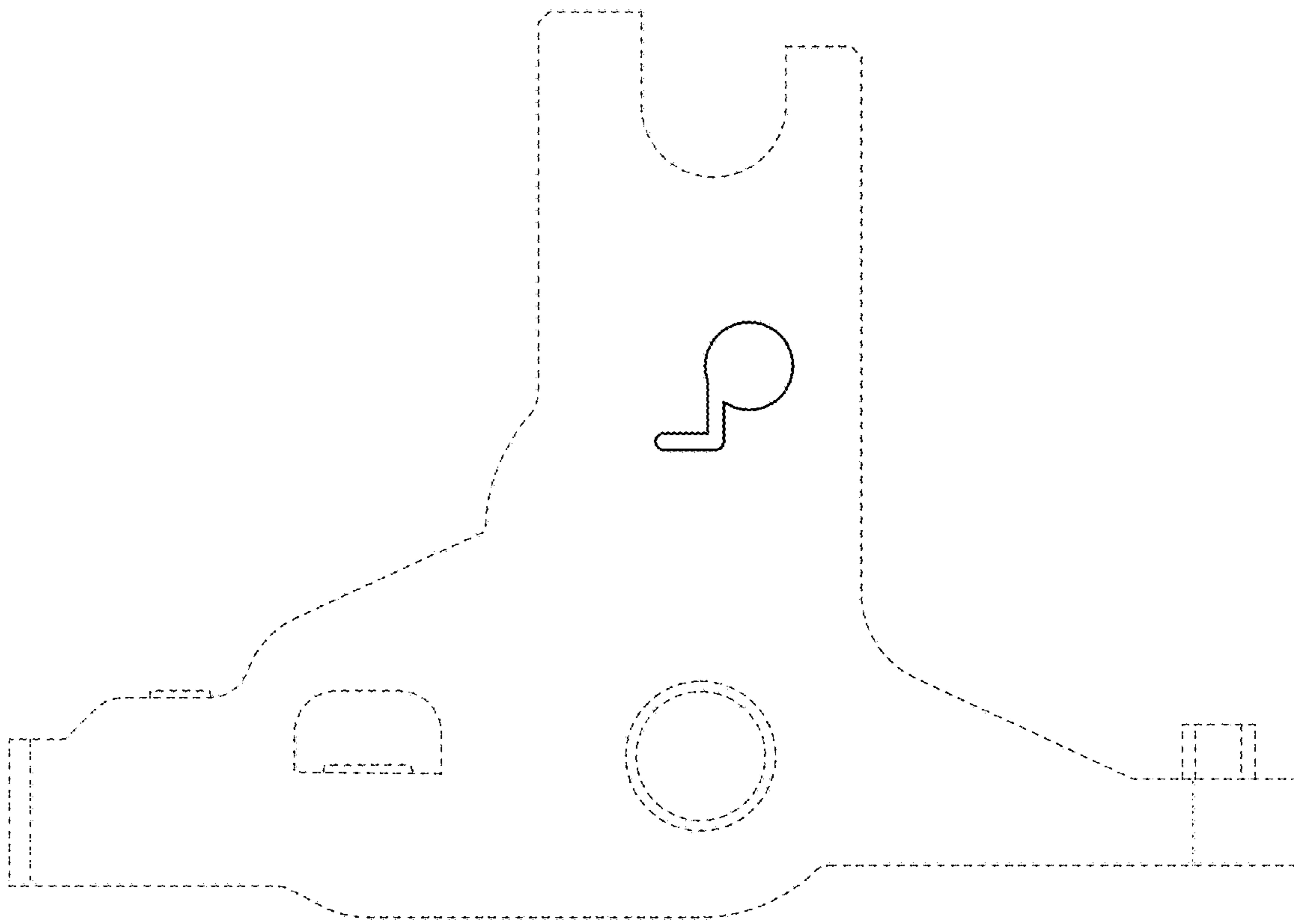


FIG. 3

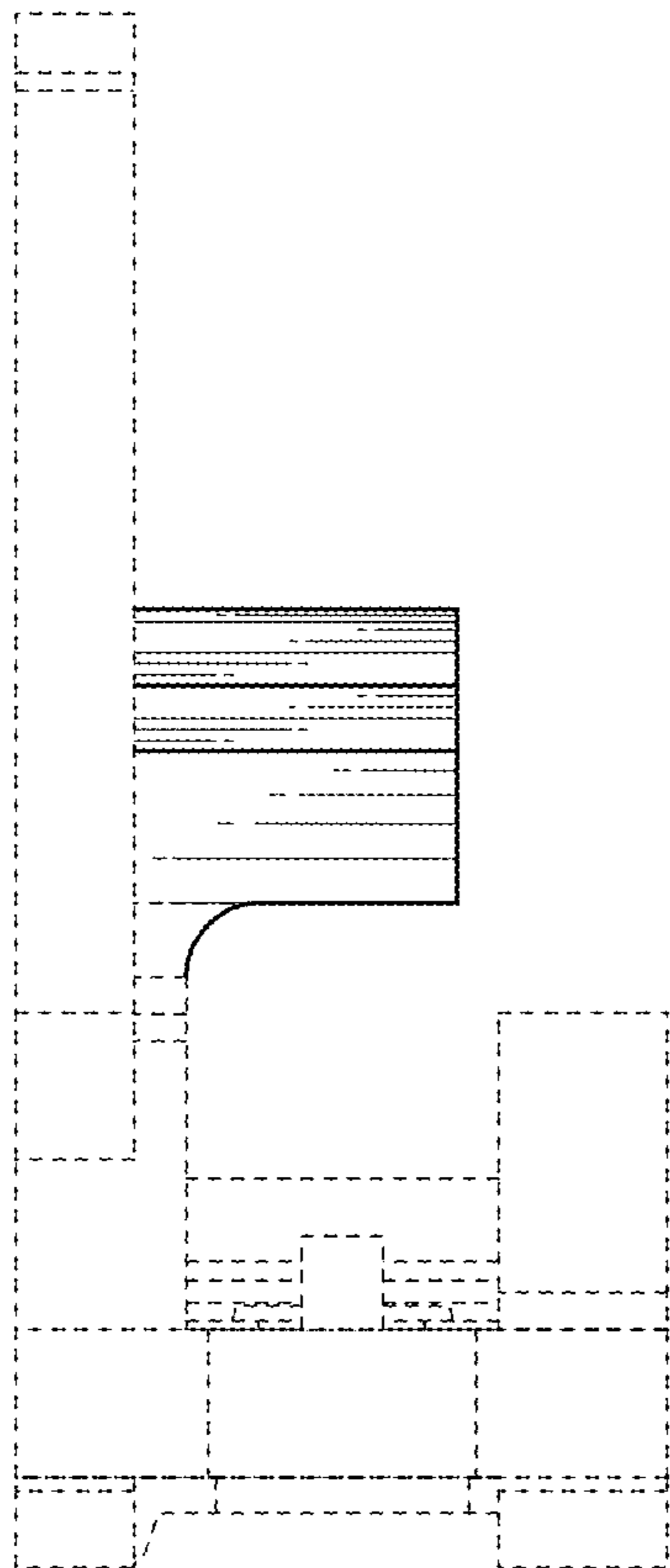


FIG. 4

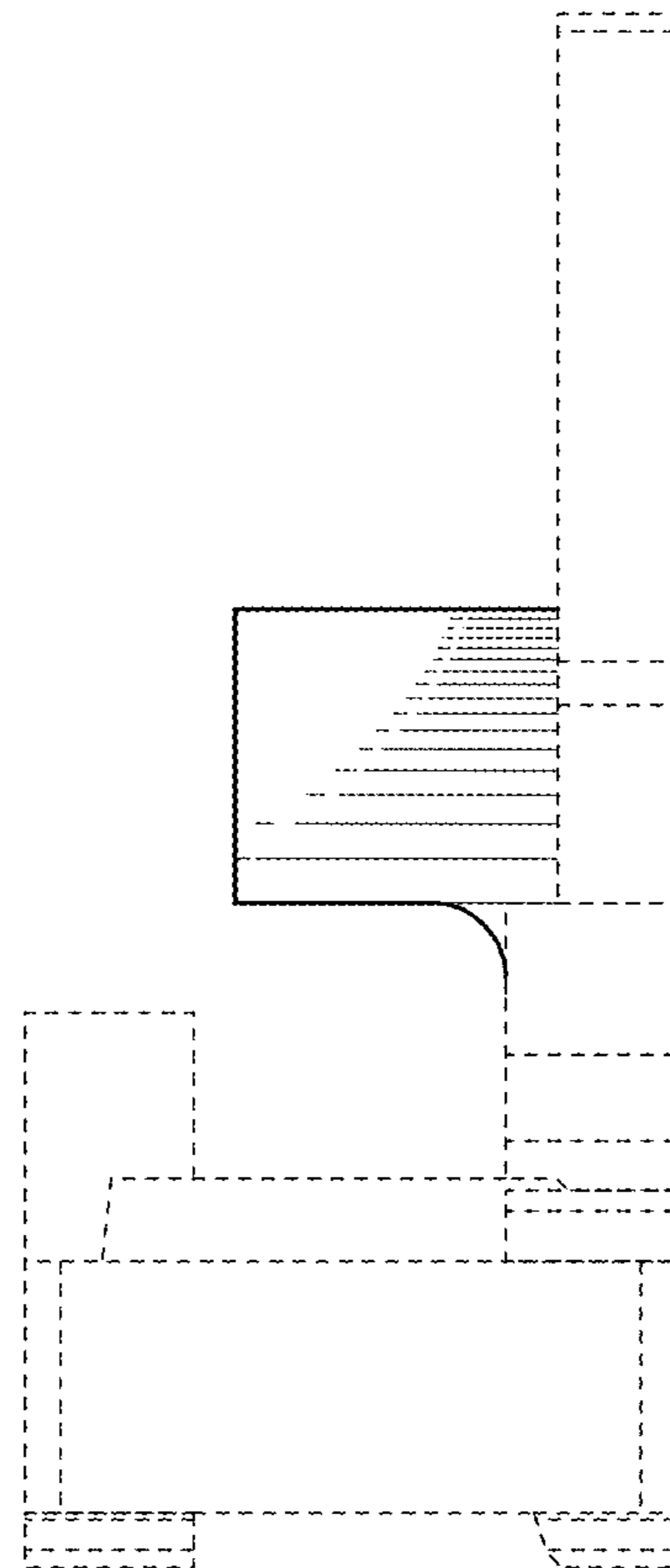


FIG. 5

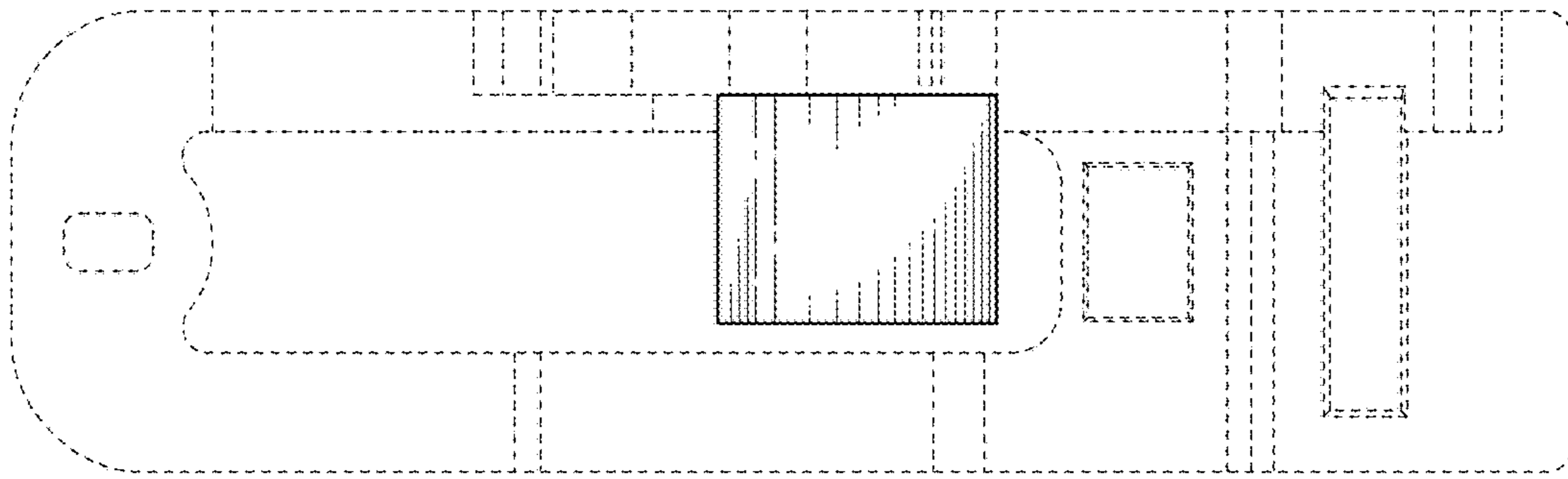


FIG. 6

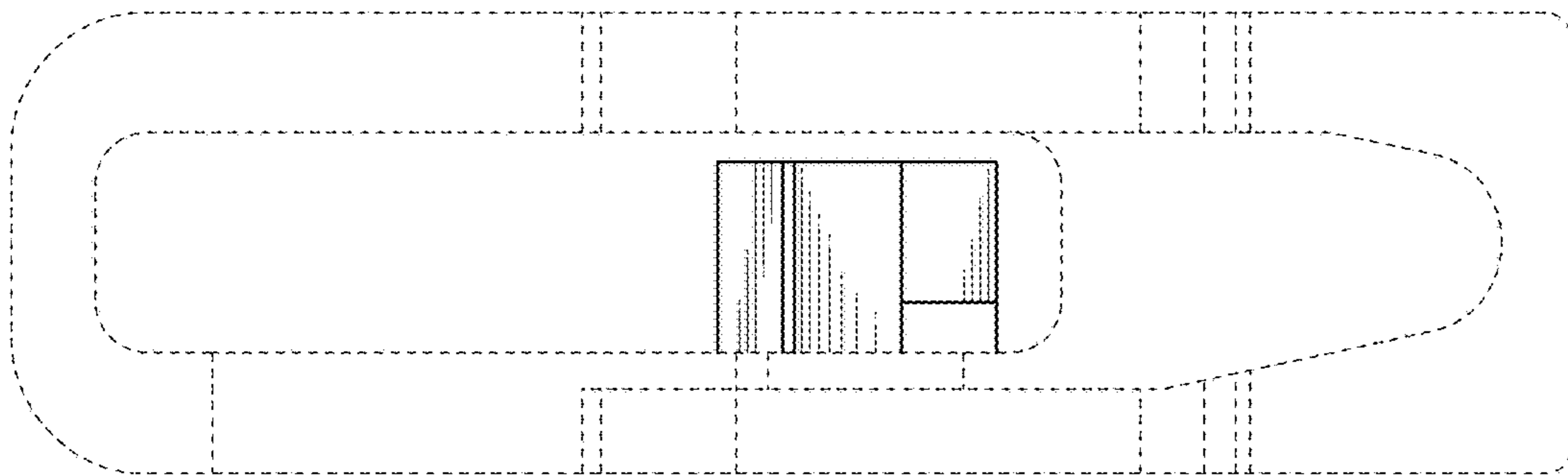


FIG. 7