



US00D783757S

(12) **United States Design Patent**  
**Jen**

(10) **Patent No.:** **US D783,757 S**

(45) **Date of Patent:** **\*\* Apr. 11, 2017**

(54) **TACTICAL FORE GRIP**

(71) Applicant: **Yi Hwei Jen**, Irvine, CA (US)

(72) Inventor: **Yi Hwei Jen**, Irvine, CA (US)

(\*\*) Term: **15 Years**

(21) Appl. No.: **29/529,807**

(22) Filed: **Jun. 10, 2015**

(51) **LOC (10) Cl.** ..... **22-01**

(52) **U.S. Cl.**  
USPC ..... **D22/108**

(58) **Field of Classification Search**  
USPC ..... D22/108; D8/68  
CPC ..... F41C 23/10; F41C 23/14; F41C 23/16;  
F41C 23/18

See application file for complete search history.

(56) **References Cited**

**U.S. PATENT DOCUMENTS**

D643,497 S \* 8/2011 Fitzpatrick ..... D22/108  
D665,043 S \* 8/2012 Fitzpatrick ..... D22/108  
D698,885 S \* 2/2014 Faifer ..... D22/108  
D745,623 S \* 12/2015 Flores ..... D22/108

D745,624 S \* 12/2015 Flores ..... D22/108  
D745,629 S \* 12/2015 Barfoot ..... D22/108  
D745,940 S \* 12/2015 Flores ..... D22/108  
2015/0096215 A1 \* 4/2015 Somogy ..... F41C 23/16  
42/71.01  
2016/0245617 A1 \* 8/2016 Moore ..... F41C 23/16

\* cited by examiner

*Primary Examiner* — Michael A Pratt

(57) **CLAIM**

The ornamental design for a tactical fore grip, as shown.

**DESCRIPTION**

FIG. 1 is a rear upper isometric view of a tactical fore grip showing my new design.

FIG. 2 is a front upper perspective view.

FIG. 3 is a left orthographic view.

FIG. 4 is a right orthographic view.

FIG. 5 is a front perspective view.

FIG. 6 is a rear perspective view.

FIG. 7 is a bottom perspective view.

FIG. 8 is a top perspective view.

FIG. 9 is a front bottom perspective view; and,

FIG. 10 is a rear bottom perspective view.

**1 Claim, 5 Drawing Sheets**

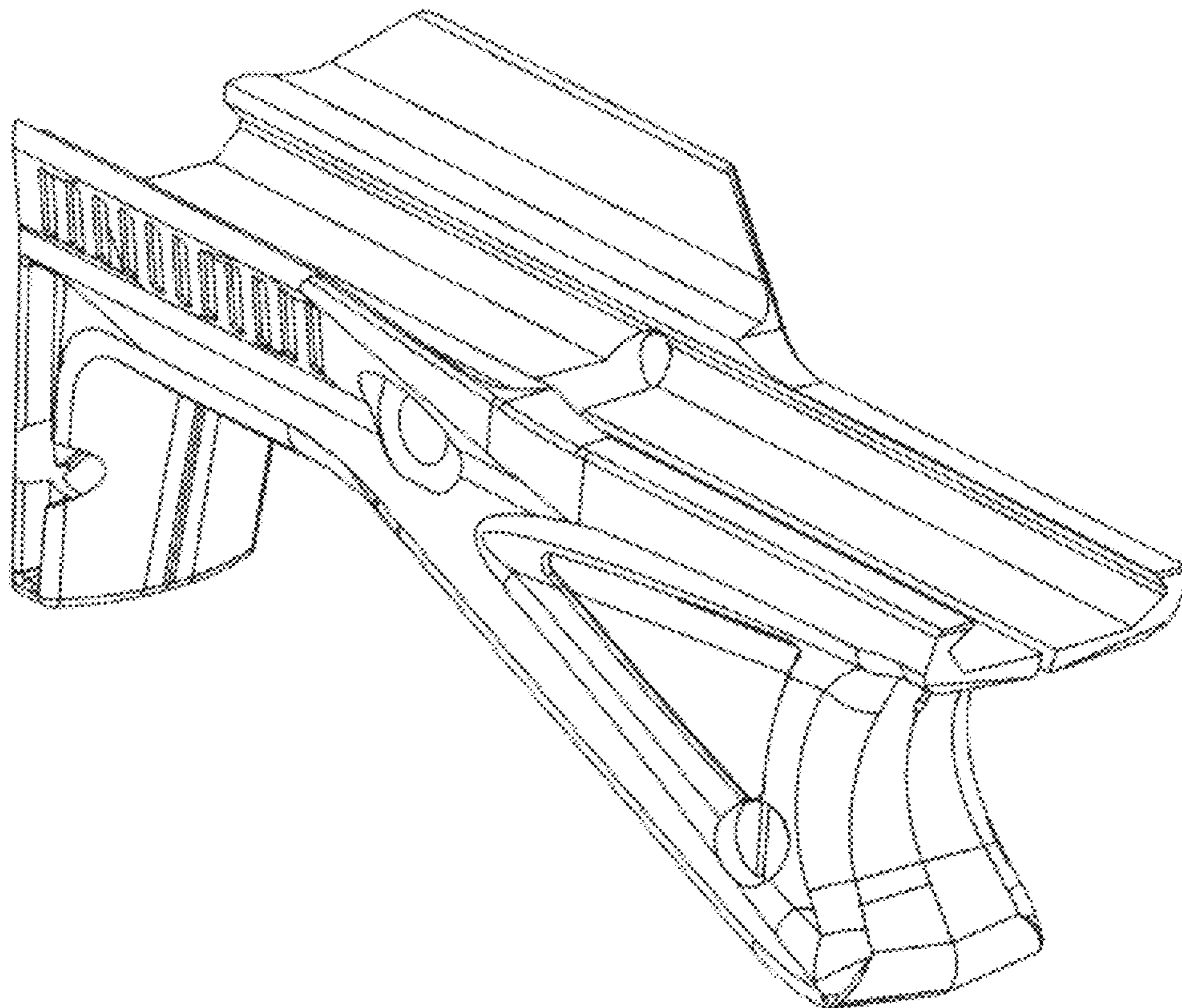


FIG. 1

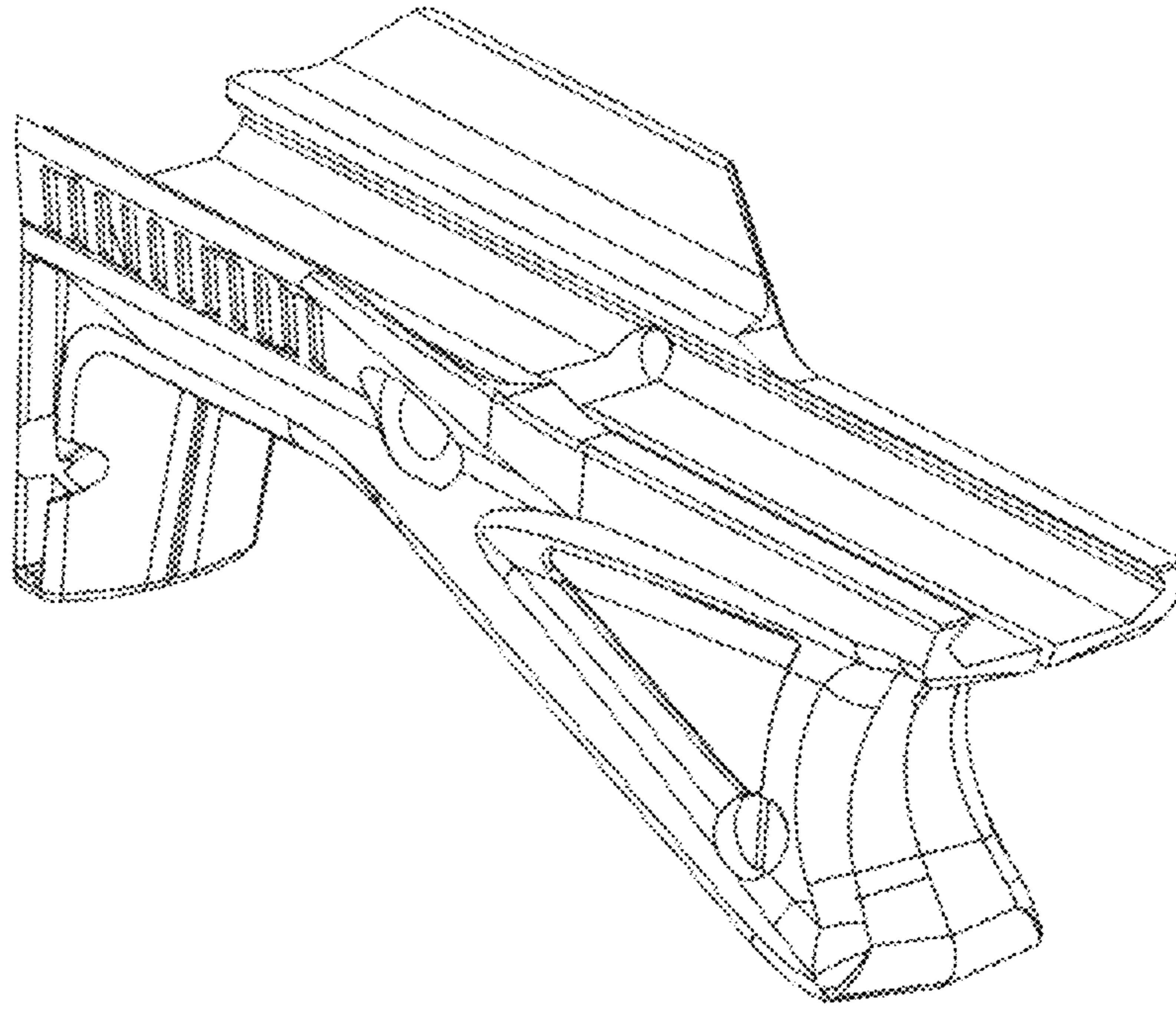


FIG. 2

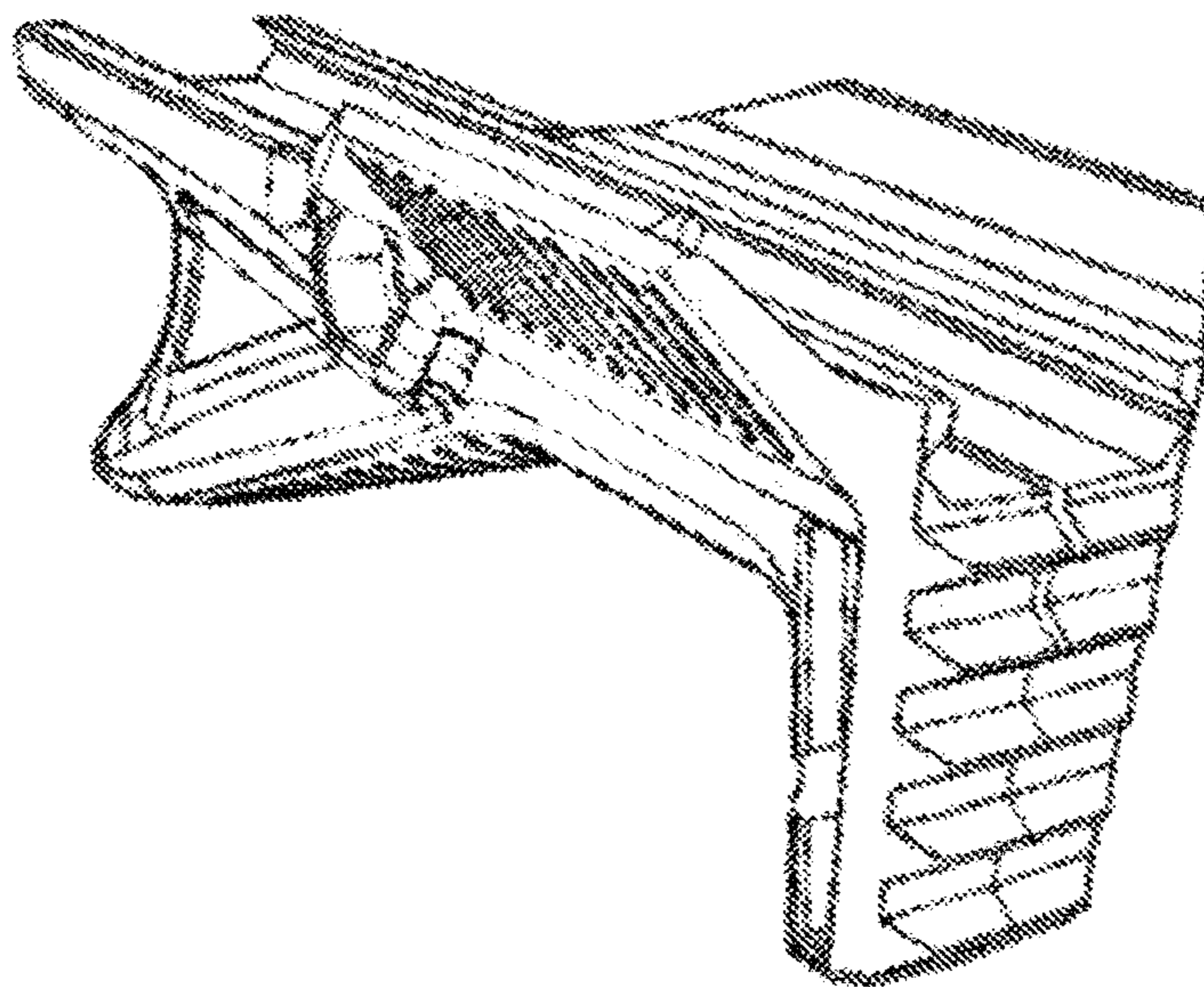


FIG. 3

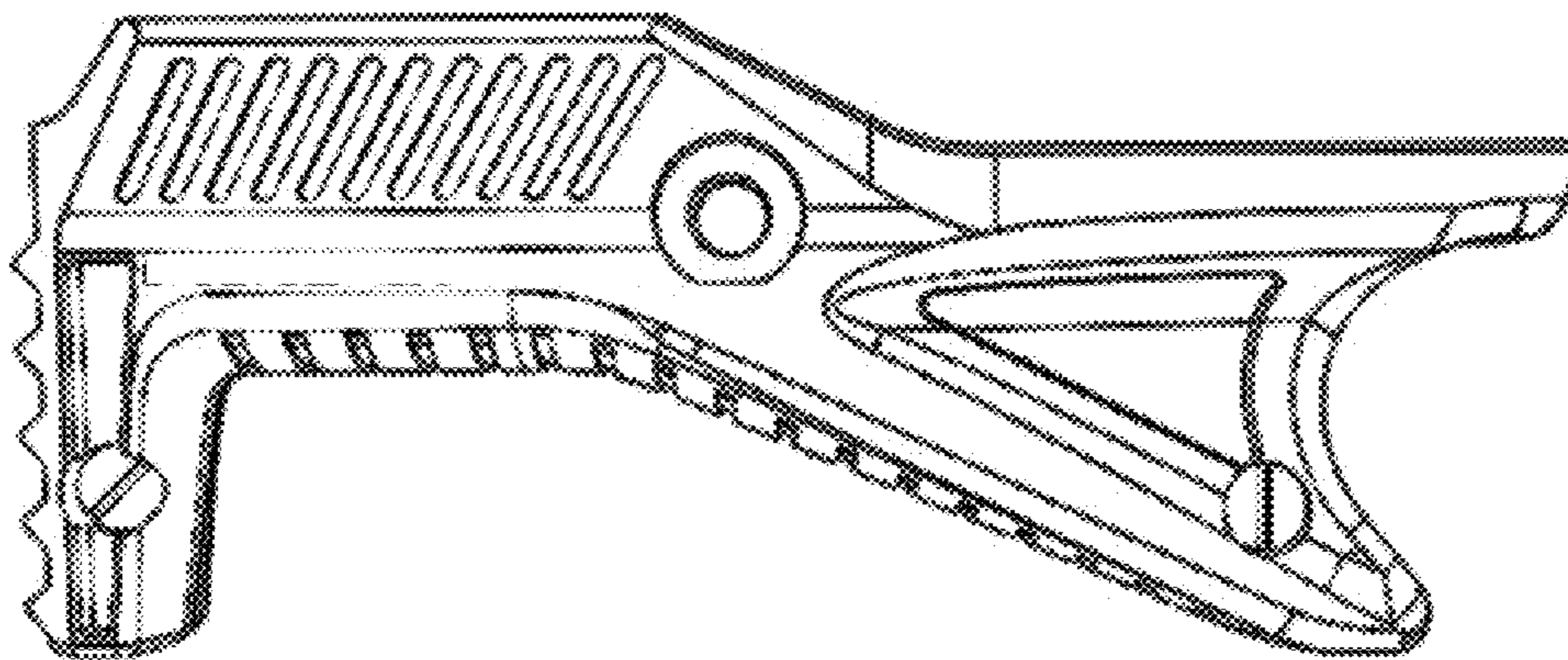


FIG. 4

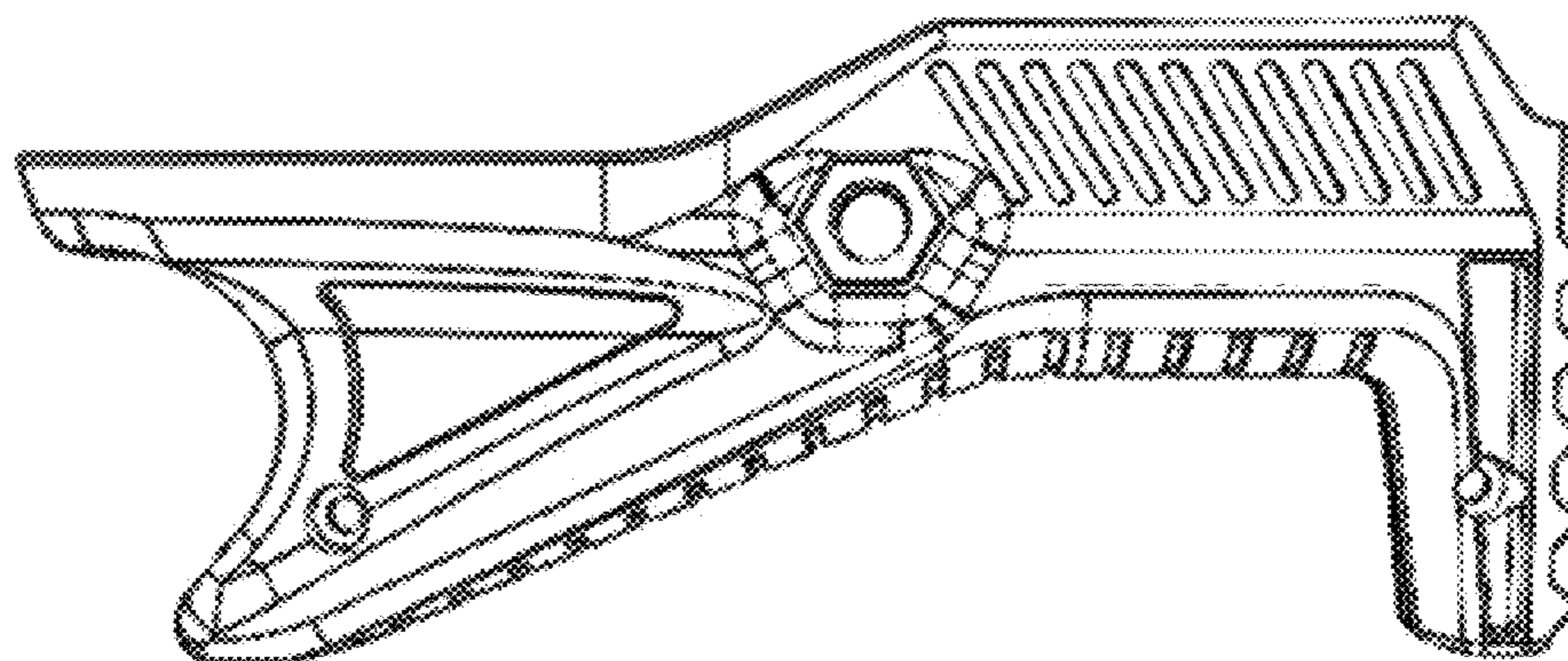


FIG. 5

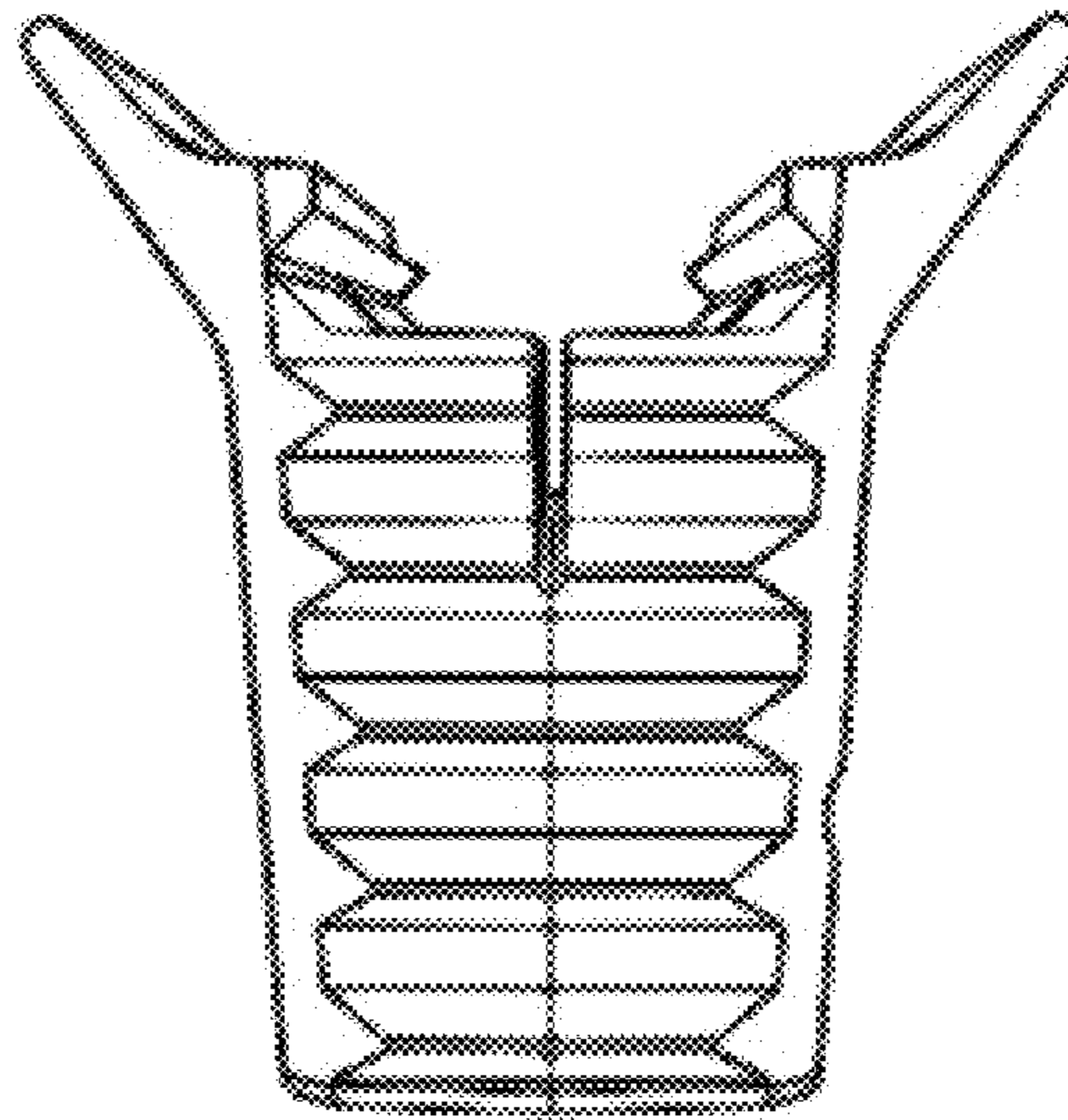


FIG. 6

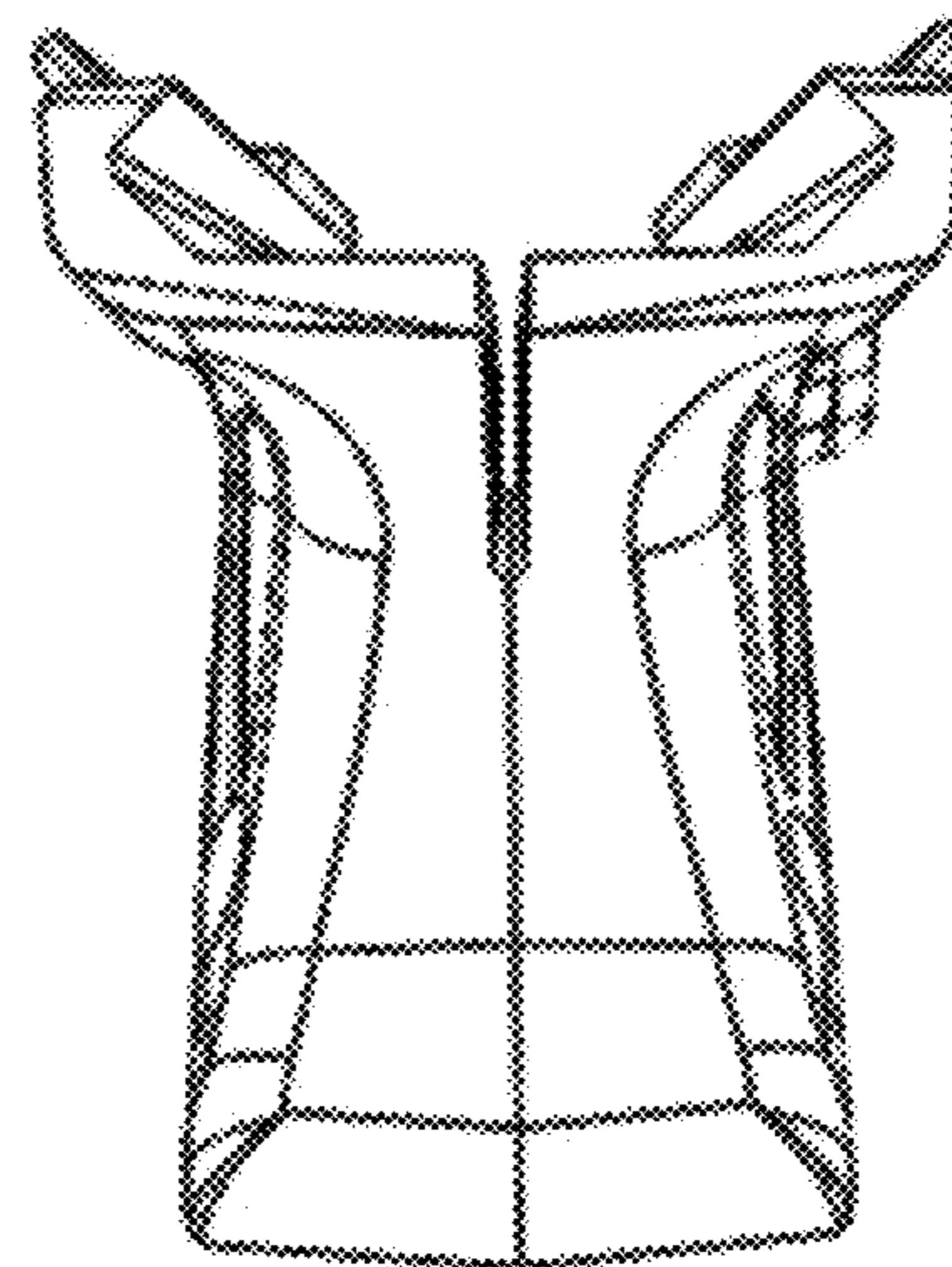


FIG. 7

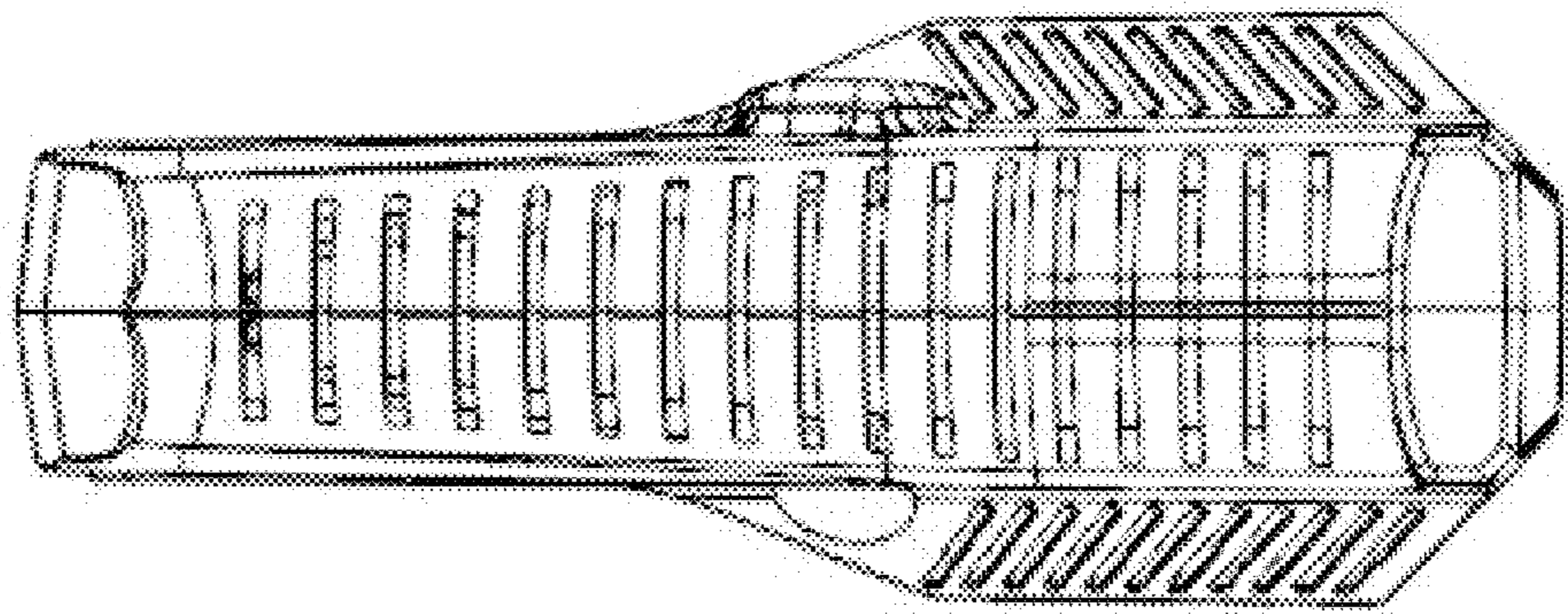


FIG. 8

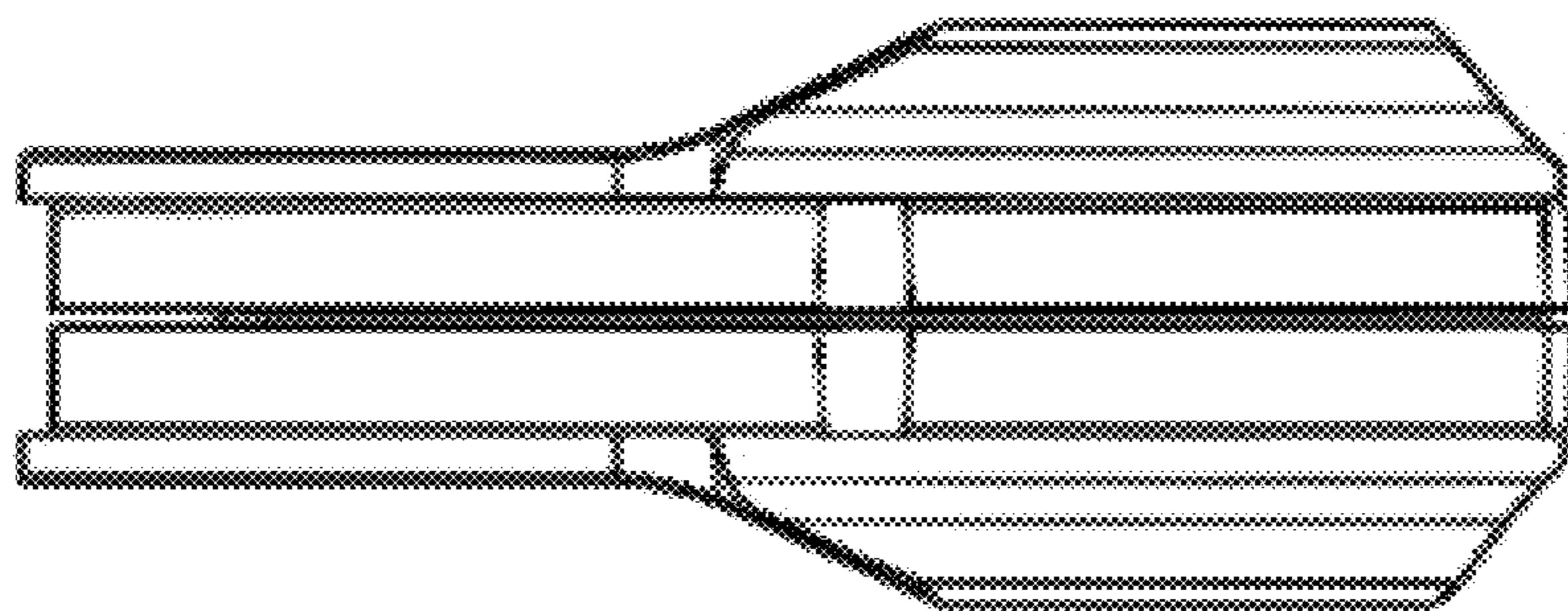


FIG. 9

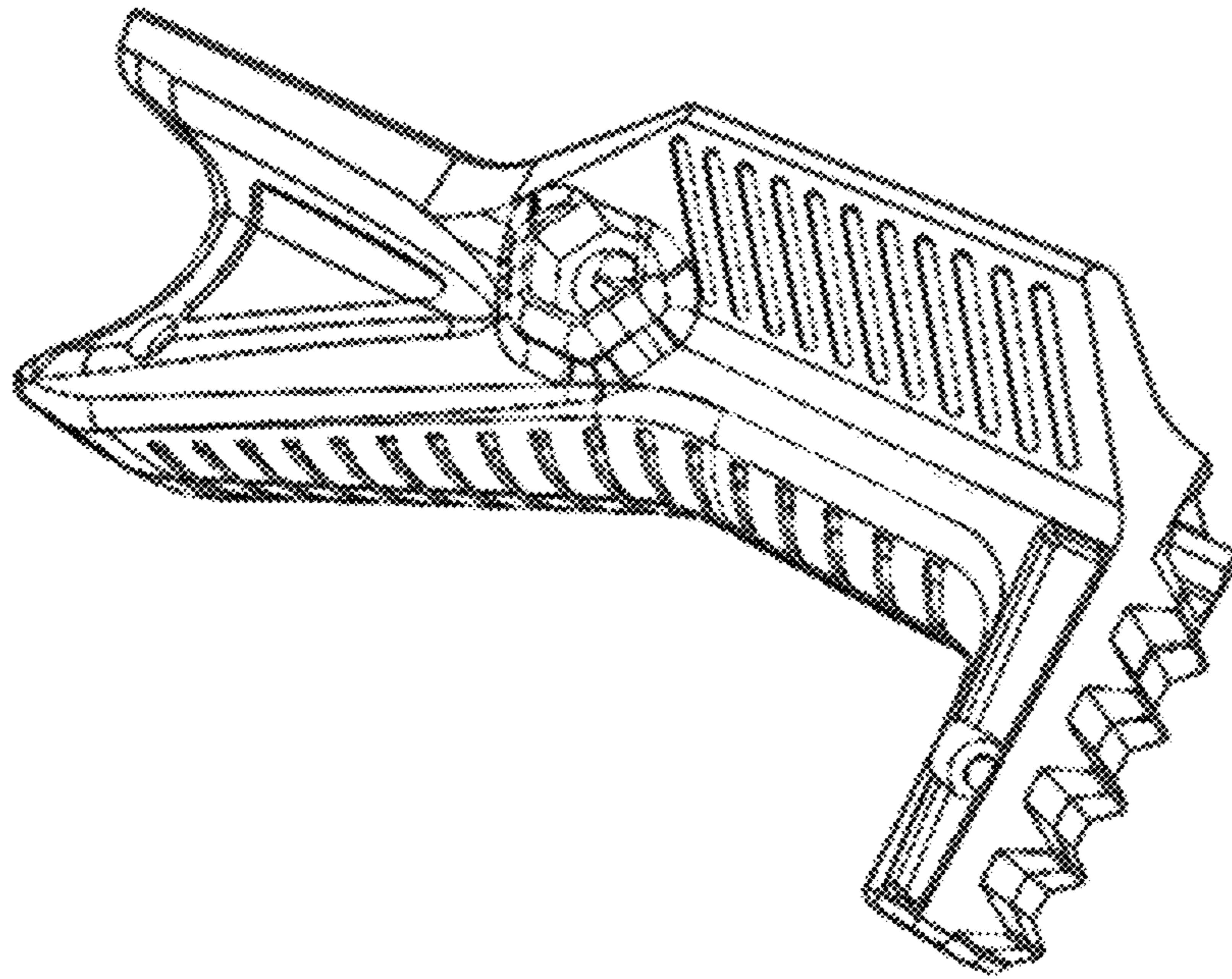


FIG. 10

