



US00D783756S

(12) **United States Design Patent**  
**McPherson**

(10) **Patent No.:** **US D783,756 S**

(45) **Date of Patent:** **\*\* Apr. 11, 2017**

- (54) **ARCHERY BOW GRIP**
- (71) Applicant: **MCP IP, LLC**, Sparta, WI (US)
- (72) Inventor: **Mathew A. McPherson**, Norwalk, WI (US)
- (73) Assignee: **MCP IP, LLC**, Sparta, WI (US)
- (\*\*) Term: **15 Years**
- (21) Appl. No.: **29/559,113**
- (22) Filed: **Mar. 24, 2016**
- (51) **LOC (10) Cl.** ..... **22-01**
- (52) **U.S. Cl.**  
USPC ..... **D22/107**
- (58) **Field of Classification Search**  
USPC .... D22/100, 107, 199; 124/23.1, 44.5, 25.6,  
124/86, 88; D8/68  
CPC ..... F41B 5/00; F41B 7/00  
See application file for complete search history.

- 5,269,284 A 12/1993 Pujos et al.
- 5,291,874 A 3/1994 Harrison
- 5,333,595 A 8/1994 Heffron
- 5,349,937 A 9/1994 Burling
- 5,445,424 A 8/1995 Binette
- 5,469,834 A 11/1995 Higgins et al.
- 5,551,413 A 9/1996 Walk
- 5,615,663 A 4/1997 Simonds

(Continued)

**OTHER PUBLICATIONS**

Archery Talk, Thread: Mathews Z7 Stock Walnut Grip-New-Never installed, Publication date Aug. 25, 2011, [site visited Jan. 3, 2017], Available on the Internet URL: <<http://www.archerytalk.com/vb/showthread.php?t=1563074>>.\*

*Primary Examiner* — Susan Bennett Hattan  
*Assistant Examiner* — S. Bryan Reinholdt, Jr.

(57) **CLAIM**

The ornamental design for an archery bow grip, as shown and described.

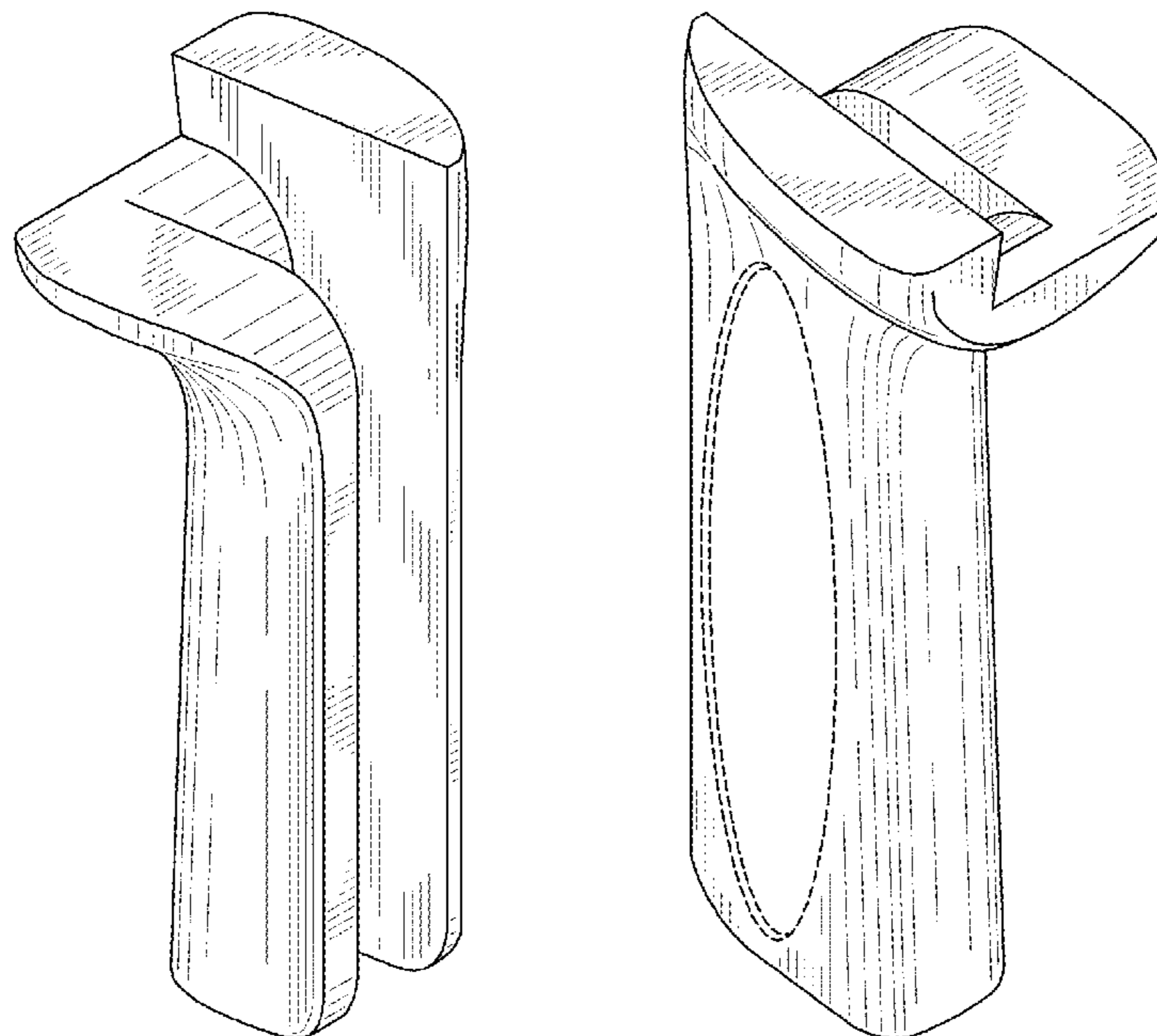
**DESCRIPTION**

FIG. 1 is a front-left isometric view of the archery bow grip. FIG. 2 is a back-right isometric view of the archery bow grip. FIG. 3 is a front view of the archery bow grip. FIG. 4 is a back view of the archery bow grip. FIG. 5 is a right side view of the archery bow grip. FIG. 6 is a left side view of the archery bow grip. FIG. 7 is a top view of the archery bow grip; and, FIG. 8 is a bottom view of the archery bow grip. The broken lines in the figures depict portions of the archery bow grip that form no part of the claimed design.

**1 Claim, 4 Drawing Sheets**

(56) **References Cited**  
U.S. PATENT DOCUMENTS

- 3,176,674 A 4/1965 Smith
- 3,407,799 A 10/1968 Bennett
- 3,538,902 A 11/1970 Fowkes
- 3,814,074 A 6/1974 Wood
- 4,175,536 A 11/1979 Carella
- 4,257,385 A 3/1981 Stewart
- 4,693,230 A 9/1987 Sugouchi
- 4,919,107 A 4/1990 Bunts
- 4,966,124 A 10/1990 Burling
- 5,070,856 A 12/1991 Plummer
- 5,241,945 A 9/1993 Shepley, Jr.
- 5,243,958 A 9/1993 Shepley, Jr.



(56)

**References Cited**

U.S. PATENT DOCUMENTS

5,617,838	A	4/1997	Peruski	
5,682,871	A	11/1997	Walk et al.	
5,697,358	A	12/1997	Campisi	
5,701,880	A	12/1997	Simonds	
5,842,460	A	12/1998	Barber	
5,853,000	A	12/1998	Torgerson	
5,934,267	A	8/1999	Briner	
6,662,798	B1	12/2003	Johnson	
6,988,495	B1	1/2006	Van Hoorn	
7,383,834	B2	6/2008	Budd	
7,401,608	B2	7/2008	Sheliga	
7,661,418	B2	2/2010	Bednar et al.	
D639,888	S	6/2011	McPherson	
8,622,052	B1	1/2014	McPherson	
9,377,268	B2 *	6/2016	White .....	F41B 5/1403
9,417,027	B2 *	8/2016	Meilak .....	F41B 5/1426
2002/0073983	A1	6/2002	Etheridge et al.	
2008/0127961	A1	6/2008	McPherson	
2010/0089375	A1	4/2010	McPherson et al.	
2011/0132344	A1	6/2011	Moon et al.	

\* cited by examiner

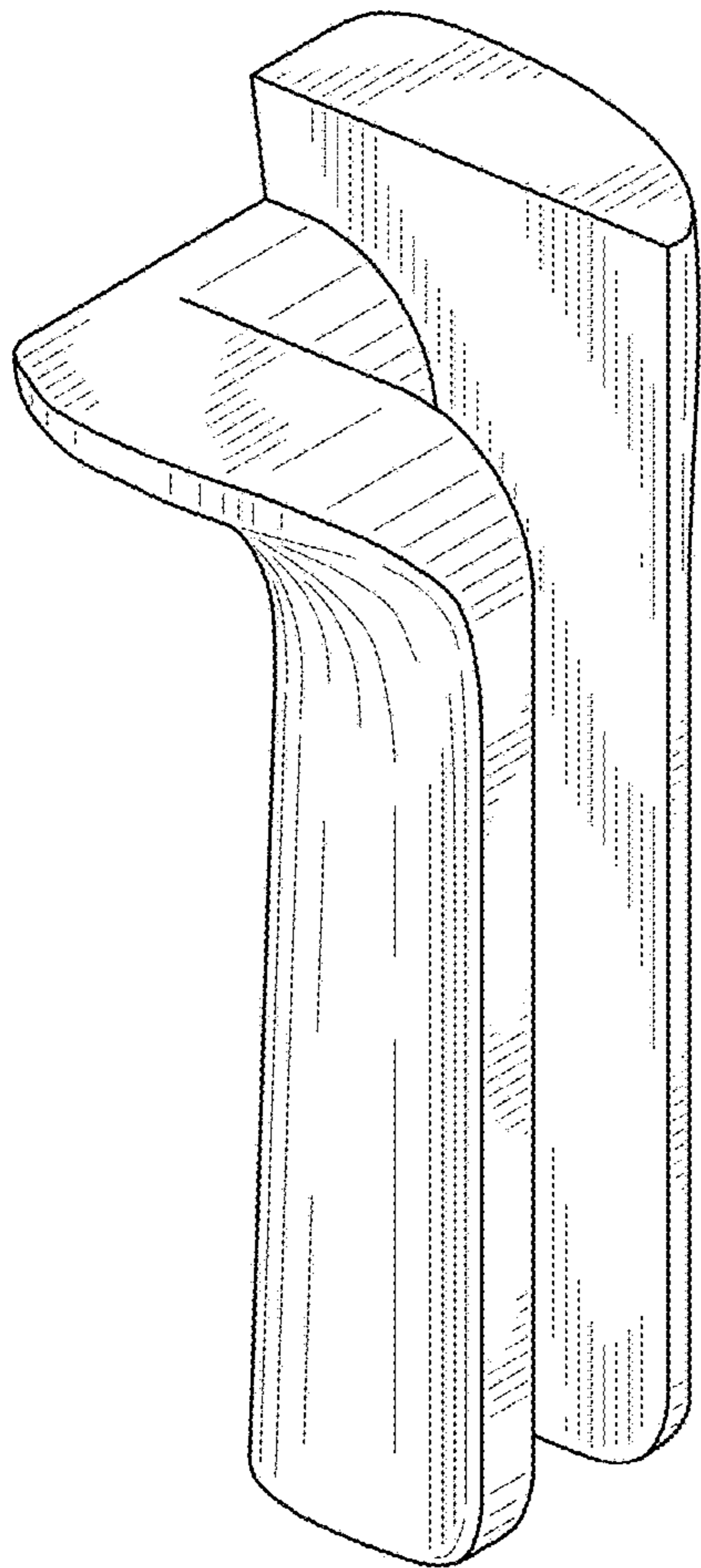


FIG. 1

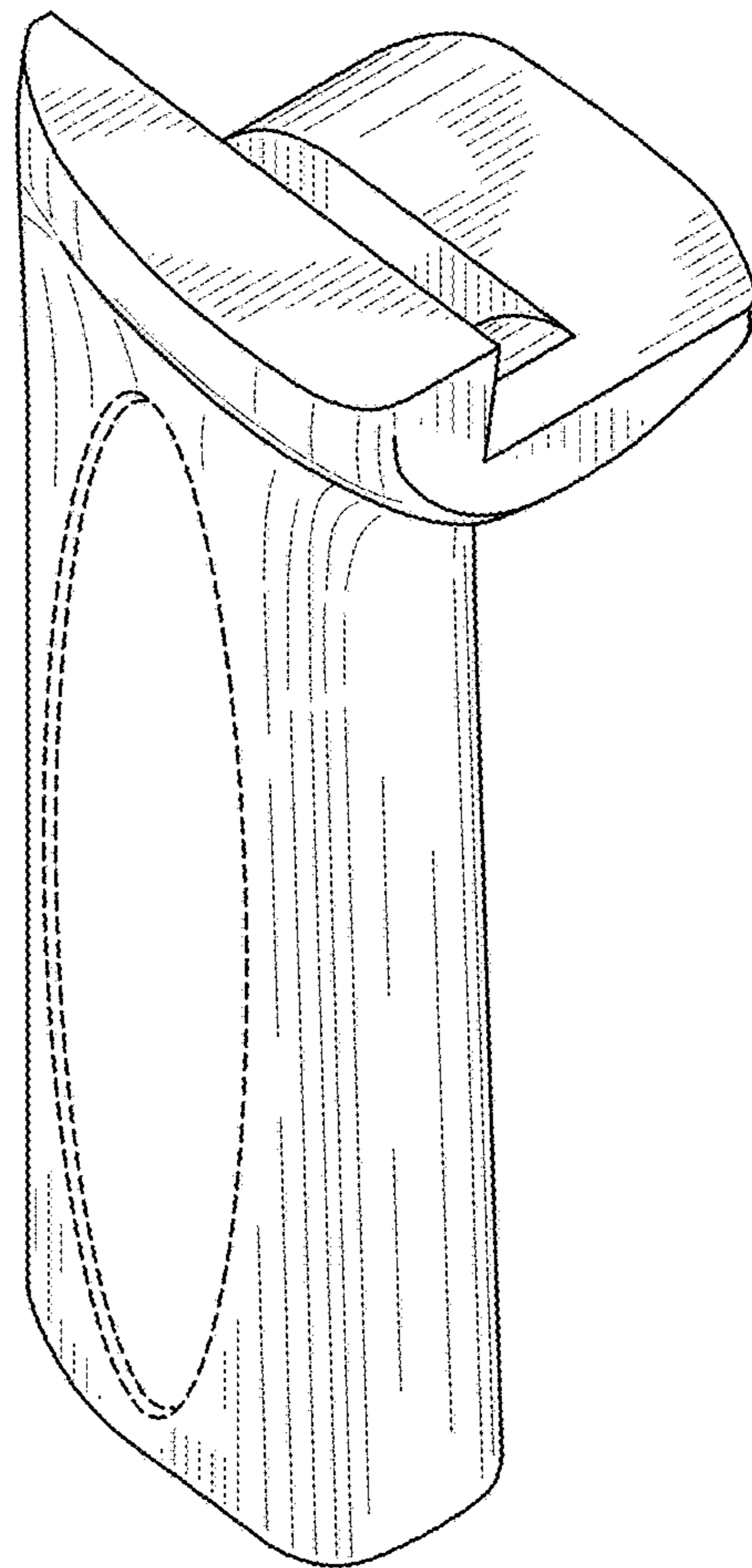


FIG. 2

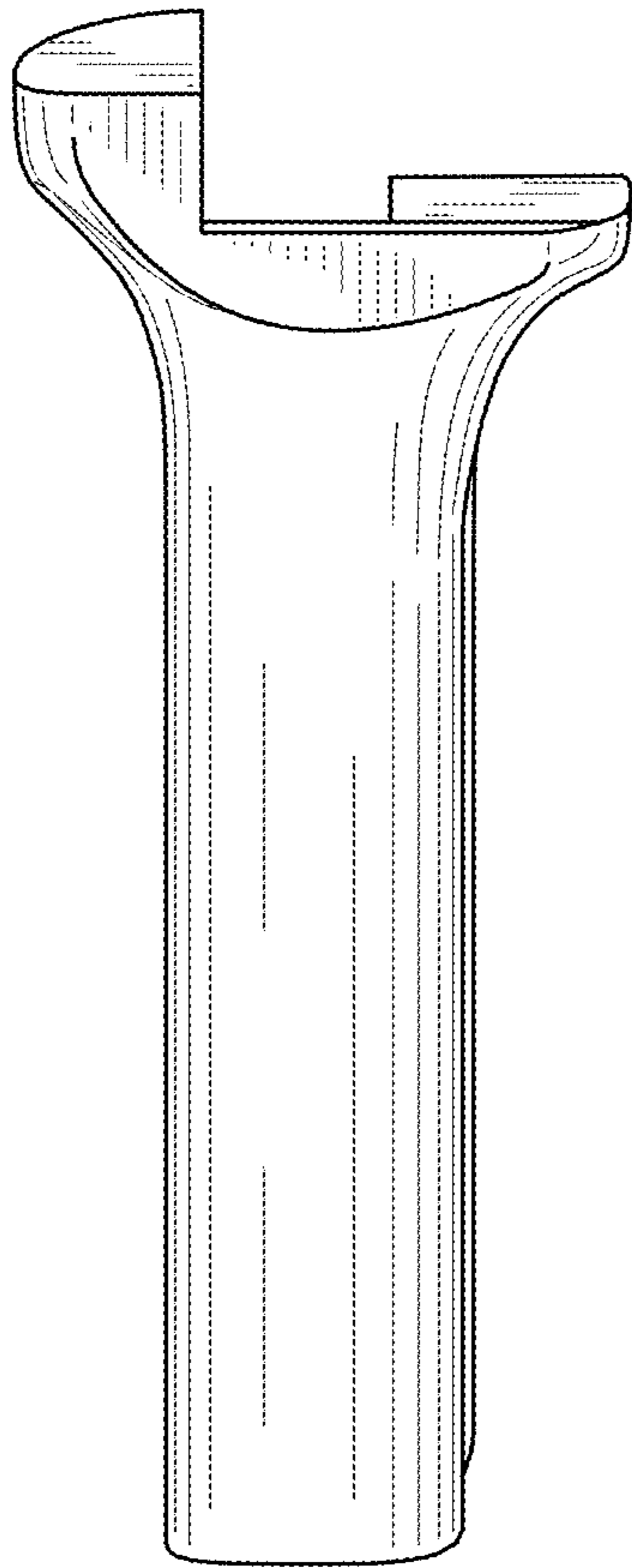


FIG. 3

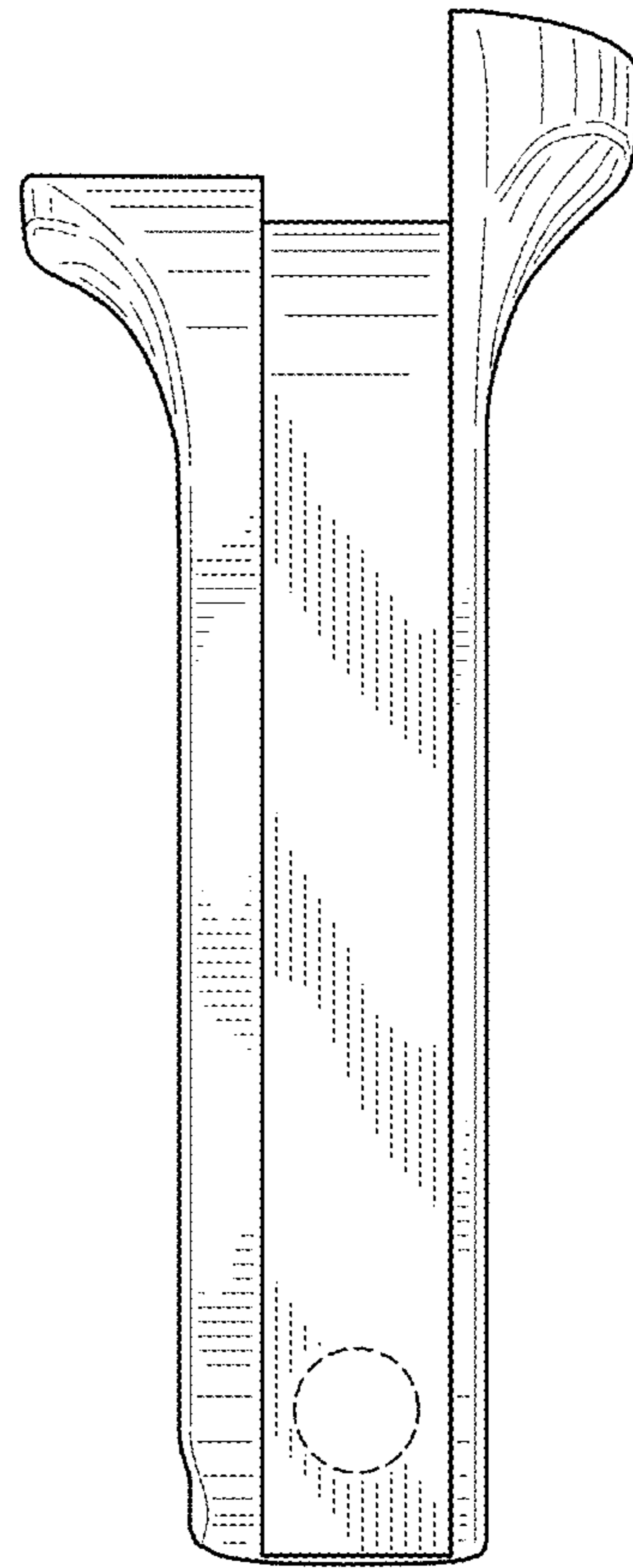


FIG. 4

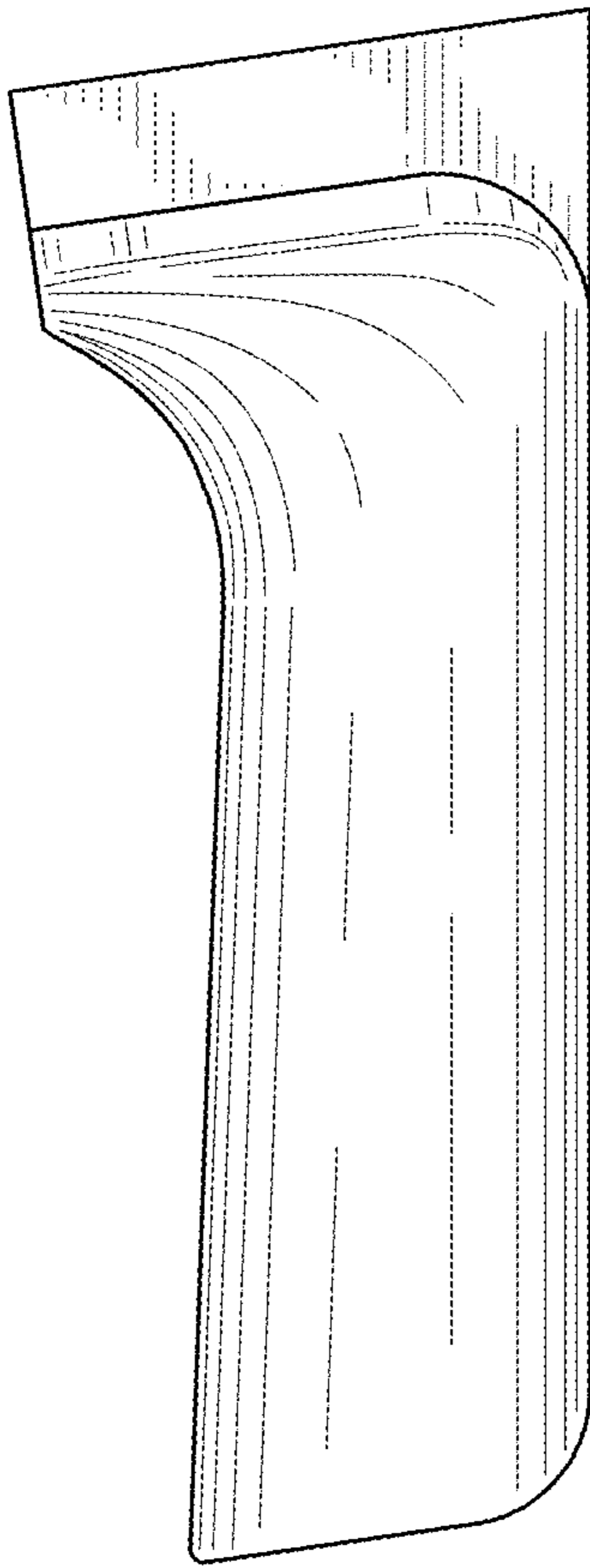


FIG. 5

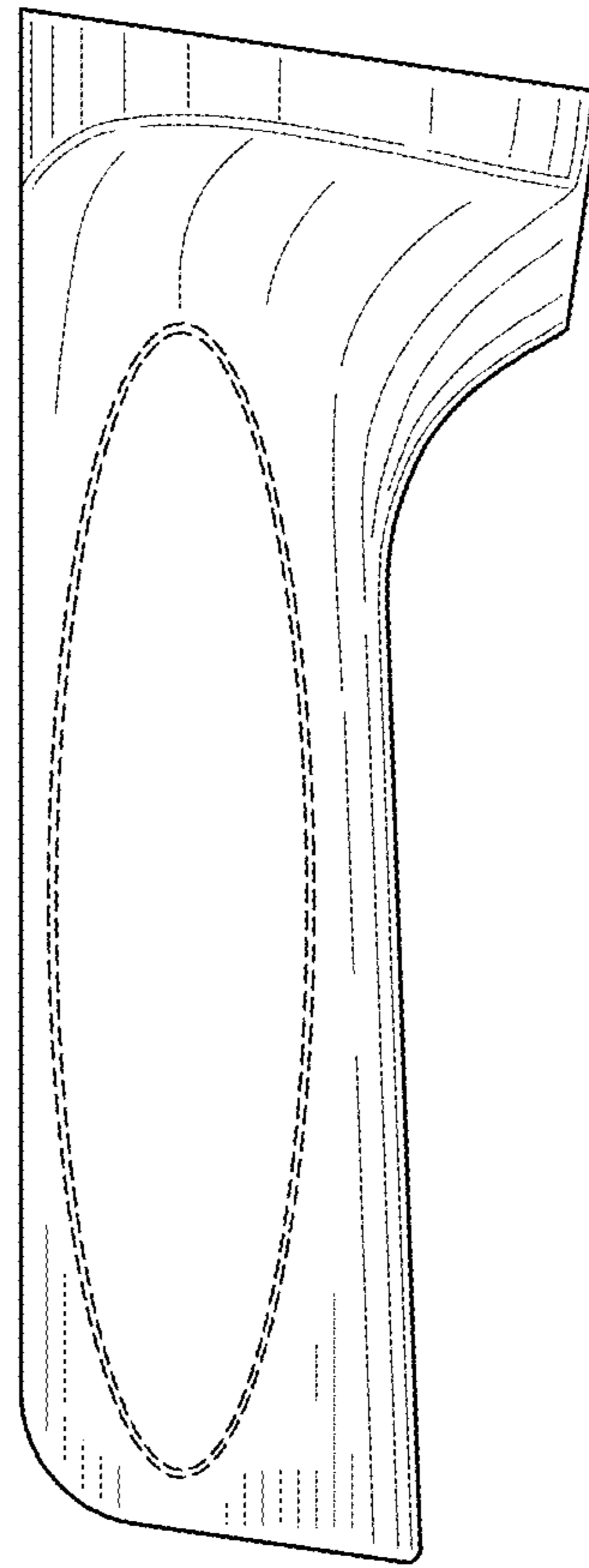


FIG. 6

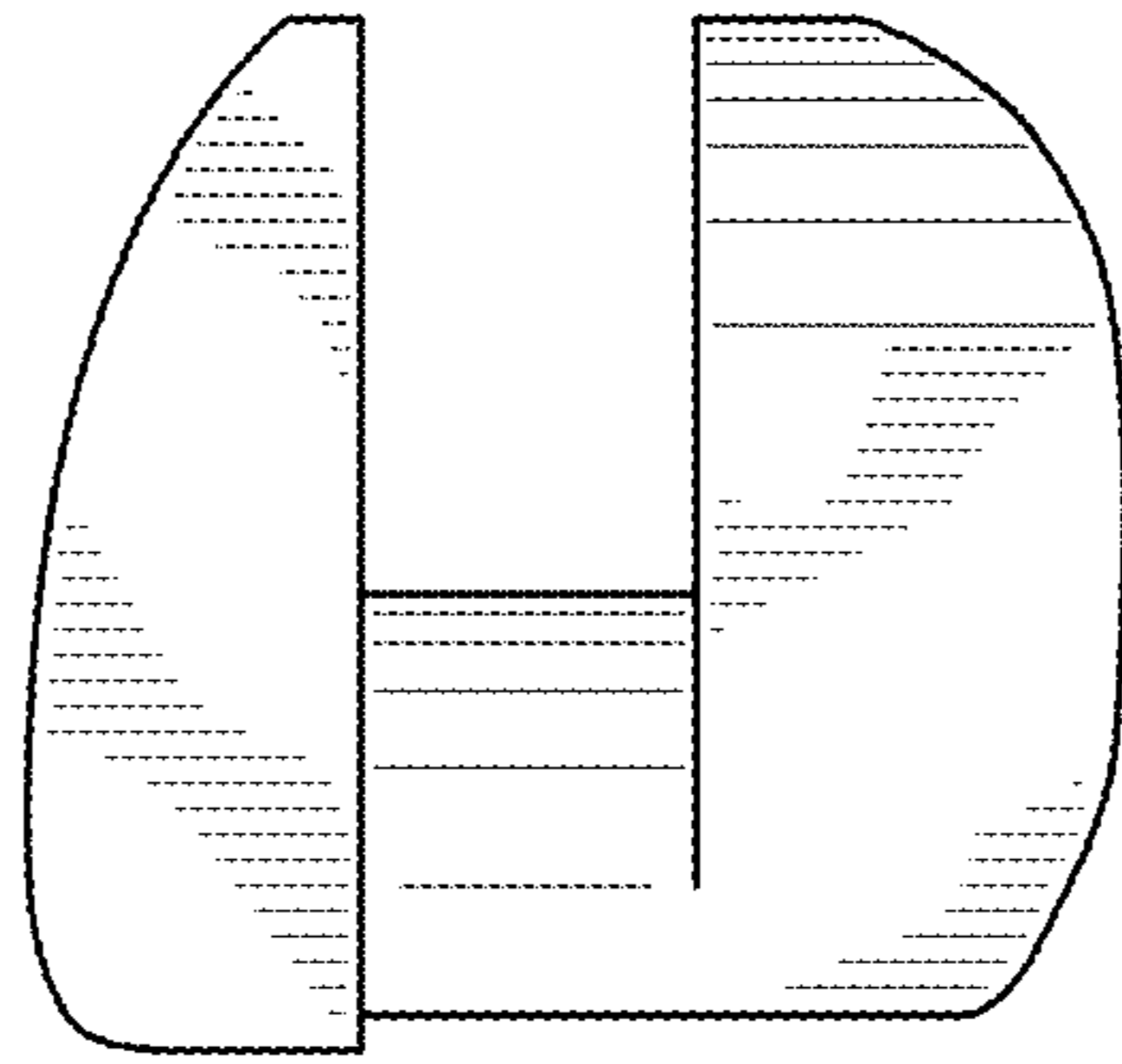


FIG. 7

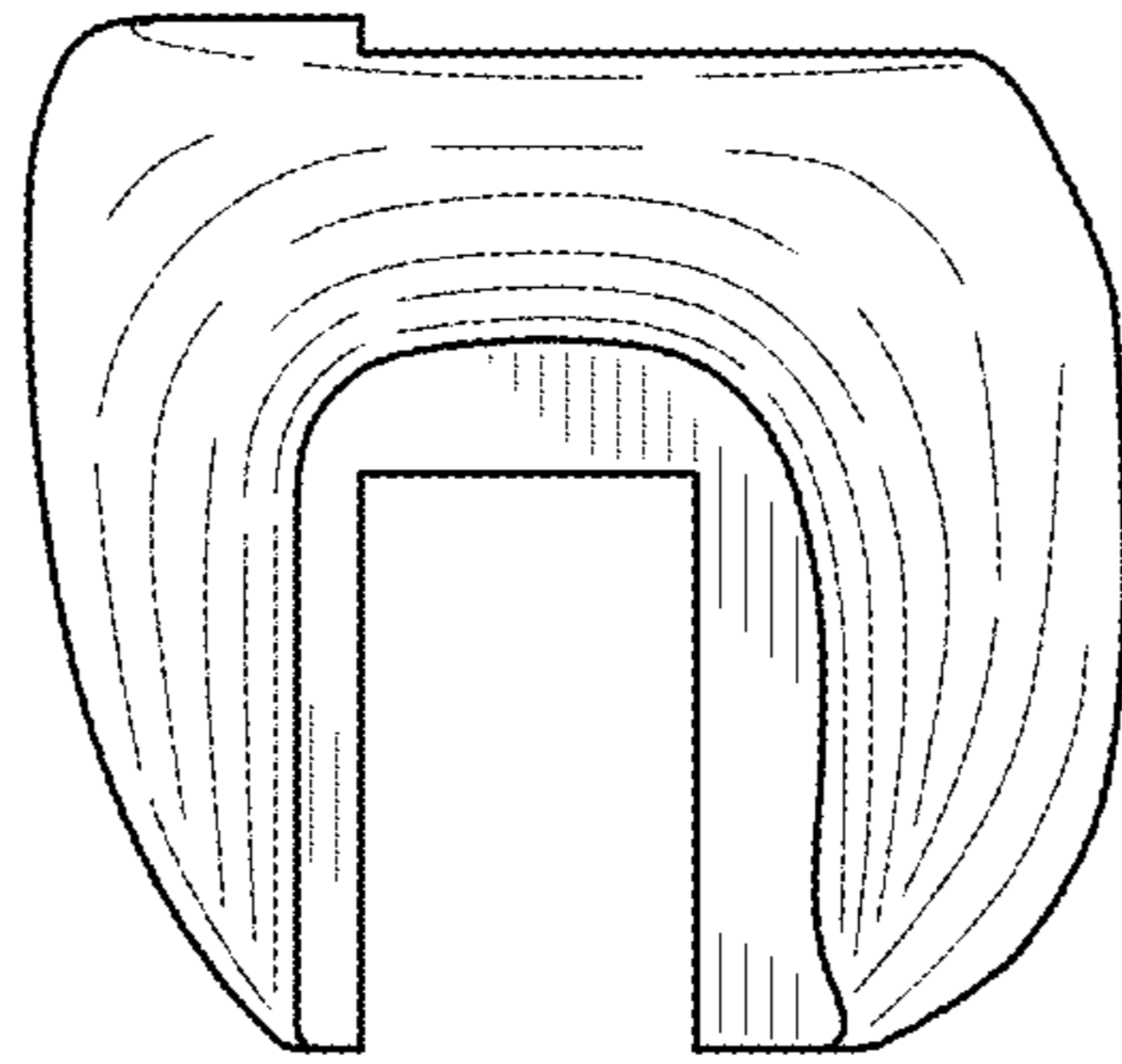


FIG. 8