



US00D783754S

(12) **United States Design Patent**
Paavola

(10) **Patent No.:** **US D783,754 S**
(45) **Date of Patent:** **** Apr. 11, 2017**

(54) **COMBINED GREEN REPAIR TOOL WITH DIGITAL PORT**

(71) Applicant: **FINNindustries, LLC**, Maricopa, AZ (US)

(72) Inventor: **Dean Paavola**, Maricopa, AZ (US)

(**) Term: **15 Years**

(21) Appl. No.: **29/543,674**

(22) Filed: **Oct. 27, 2015**

Related U.S. Application Data

(63) Continuation-in-part of application No. 29/496,966, filed on Jul. 18, 2014, now Pat. No. Des. 761,370, and a continuation-in-part of application No. 14/534,165, filed on Nov. 5, 2014, now Pat. No. 9,168,440, and a continuation-in-part of application No. 14/869,989, filed on Sep. 29, 2015, now abandoned.

(51) **LOC (10) Cl.** **21-02**

(52) **U.S. Cl.**
USPC **D21/793**

(58) **Field of Classification Search**
USPC D21/789, 793, 794; D14/480.1-480.7
CPC A63B 57/0068; A63B 57/0075
See application file for complete search history.

(56) **References Cited**

U.S. PATENT DOCUMENTS

D327,910 S * 7/1992 Cantlon 401/195
D336,124 S * 6/1993 Ordlock D19/73
D340,755 S * 10/1993 Shearer D21/793

D387,681 S * 12/1997 Finkay D10/2
5,759,120 A * 6/1998 Mathis A63B 57/00
131/248
6,030,298 A * 2/2000 Tate A63B 57/50
473/408
6,050,905 A * 4/2000 Tate A63B 57/00
473/408
6,733,402 B2 * 5/2004 Christensen A63B 57/50
473/408
D509,874 S * 9/2005 Bores D21/793
(Continued)

Primary Examiner — Mitchell Siegel

(74) *Attorney, Agent, or Firm* — Von Hellens & Bycer Law; Matthew L. Bycer

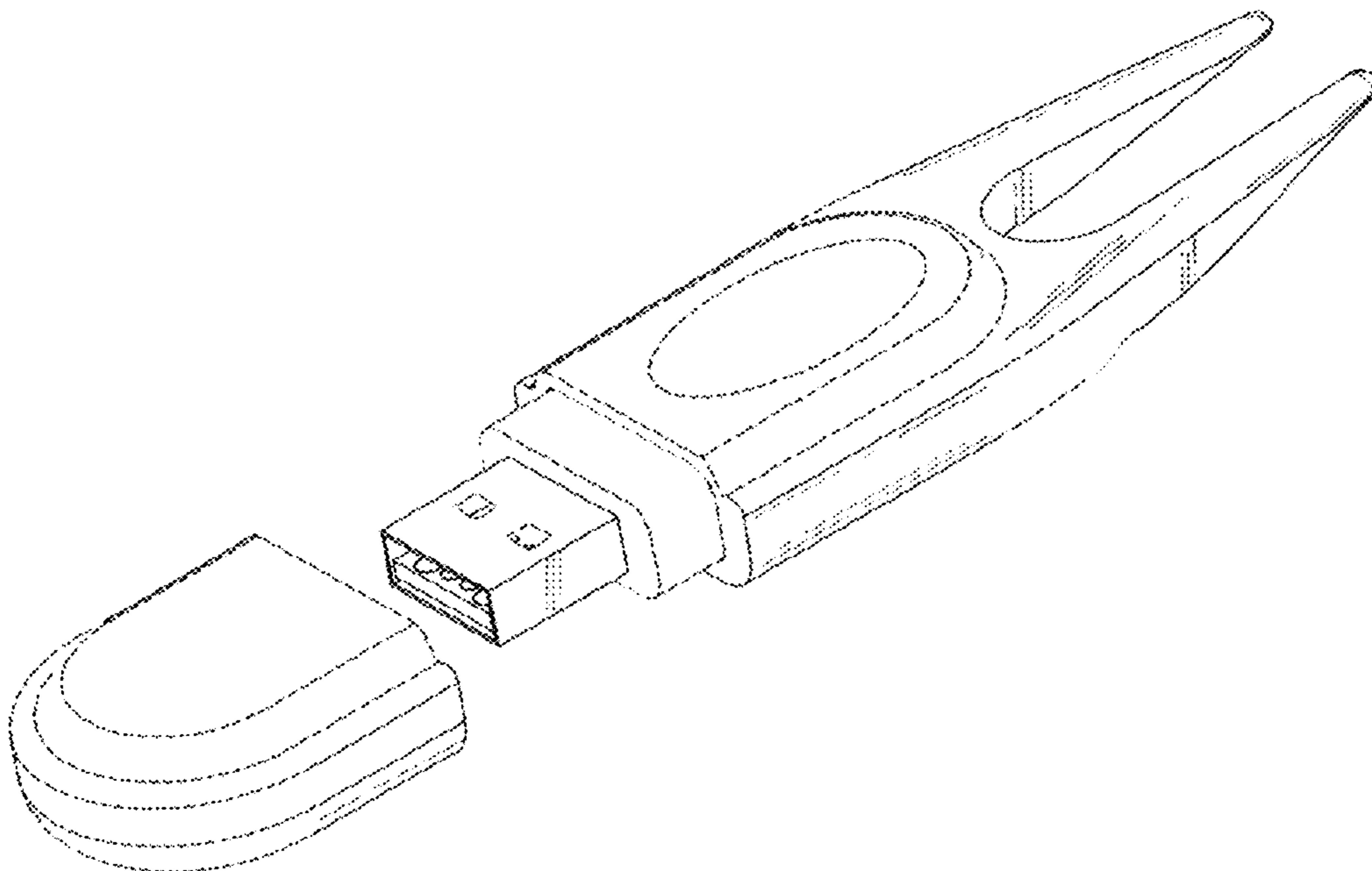
(57) **CLAIM**

I claim the ornamental design for combined green repair tool with digital port, as shown and described.

DESCRIPTION

FIG. 1 is a perspective view of a combined green repair tool with digital port showing my new design;
FIG. 2 is a side view thereof;
FIG. 3 is a front side view of the design;
FIG. 4 is a bottom side view of the design;
FIG. 5 is a top side view of the design;
FIG. 6 is an exploded perspective view of the design;
FIG. 7 is an exploded top side view of the design;
FIG. 8 is an exploded bottom side view of the design;
FIG. 9 is an exploded side view of the design;
FIG. 10 is a back side view of the design; and,
FIG. 11 is an exploded perspective view of the design.
The broken lines shown in the drawings represent portions of the combined green repair tool with digital port that form no part of the claimed design.

1 Claim, 6 Drawing Sheets



(56)

References Cited

U.S. PATENT DOCUMENTS

D542,787 S	*	5/2007	Siu	D14/480.5
D583,374 S	*	12/2008	Otsuka	D14/480.5
D597,068 S	*	7/2009	Whang	D14/203.7
D606,149 S	*	12/2009	Regalado	D21/793
D610,156 S	*	2/2010	Mudrick	D14/480.5
D633,588 S	*	3/2011	McCrimmon	D19/73
D666,265 S	*	8/2012	Solheim	D21/793

* cited by examiner

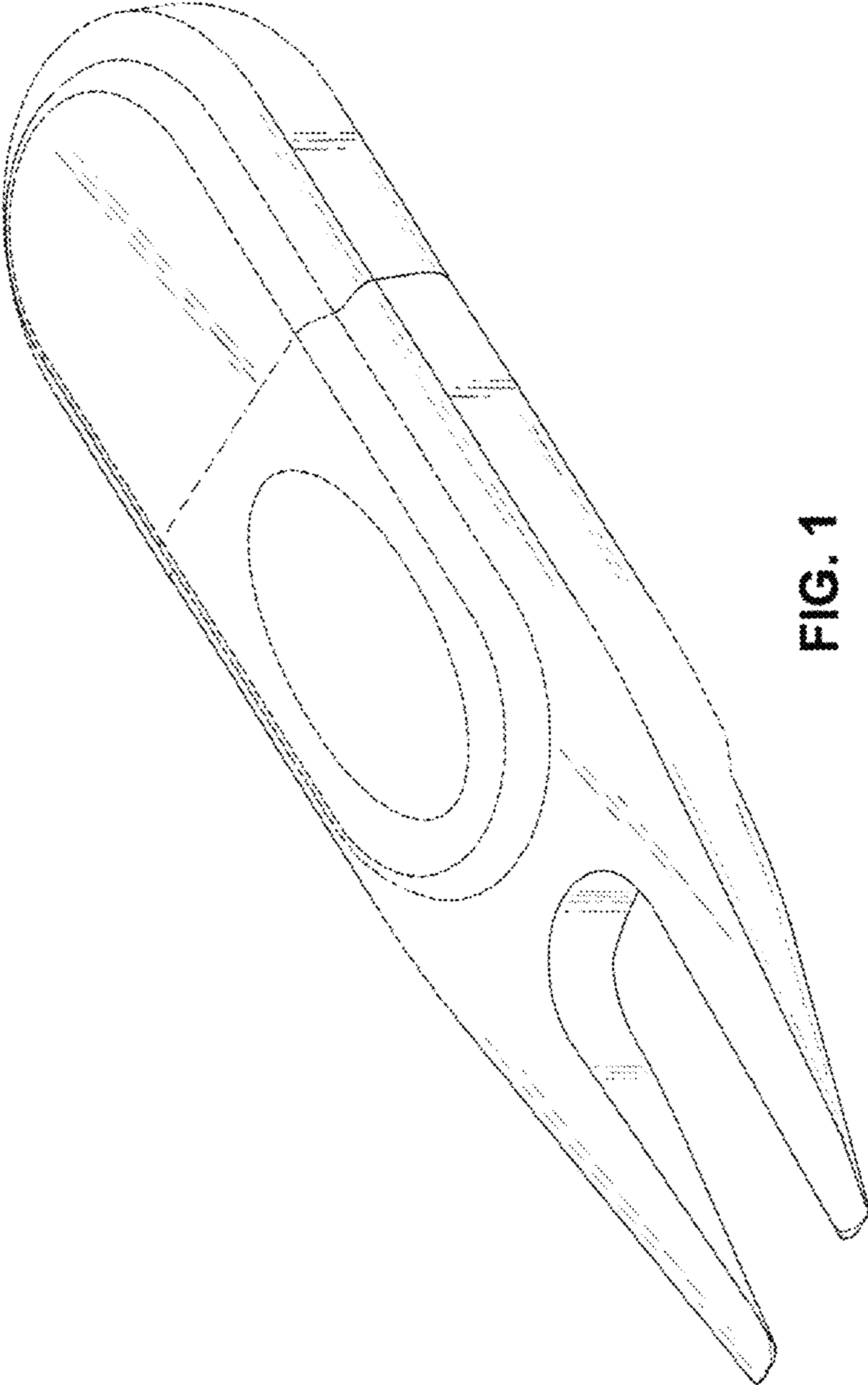


FIG. 1

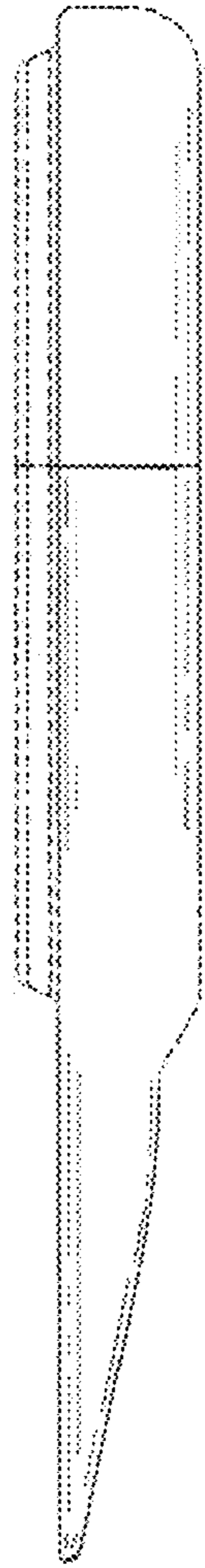


FIG. 2

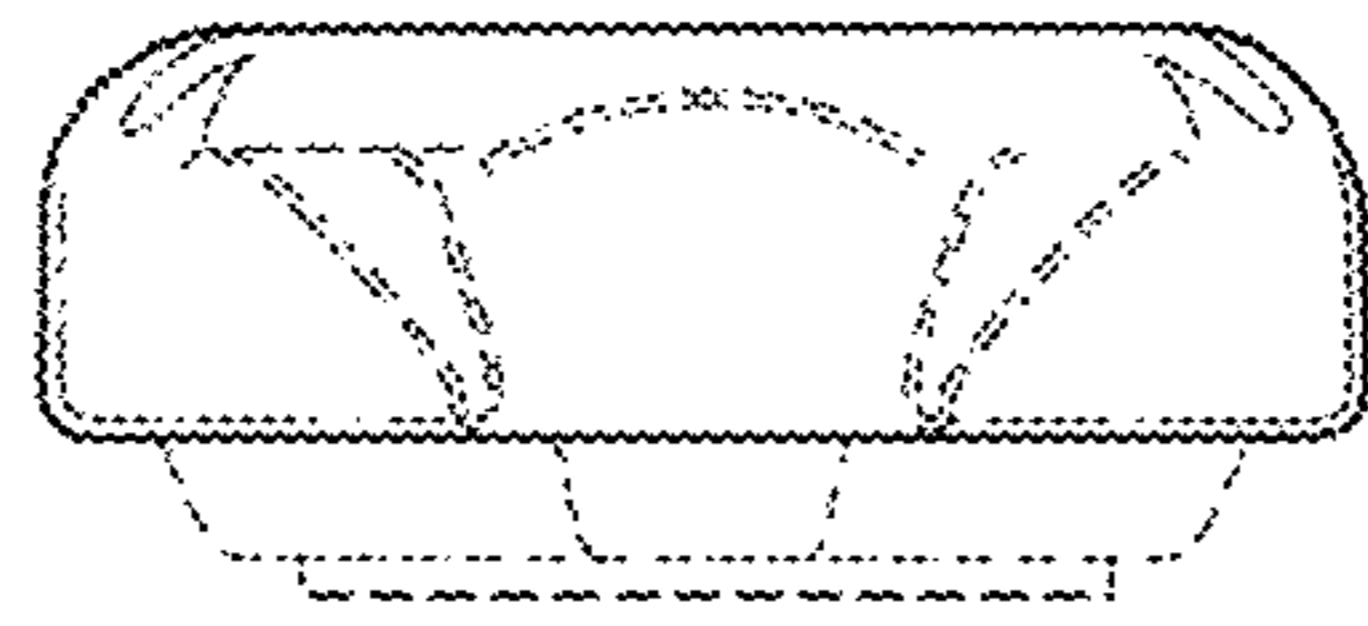


FIG. 3

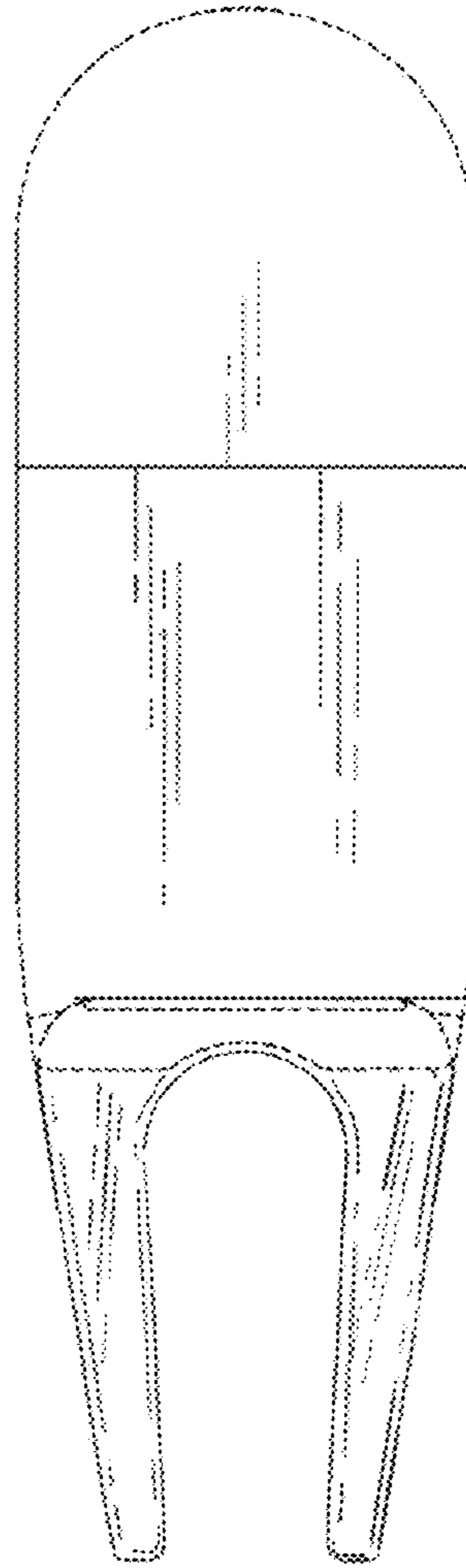


FIG. 4

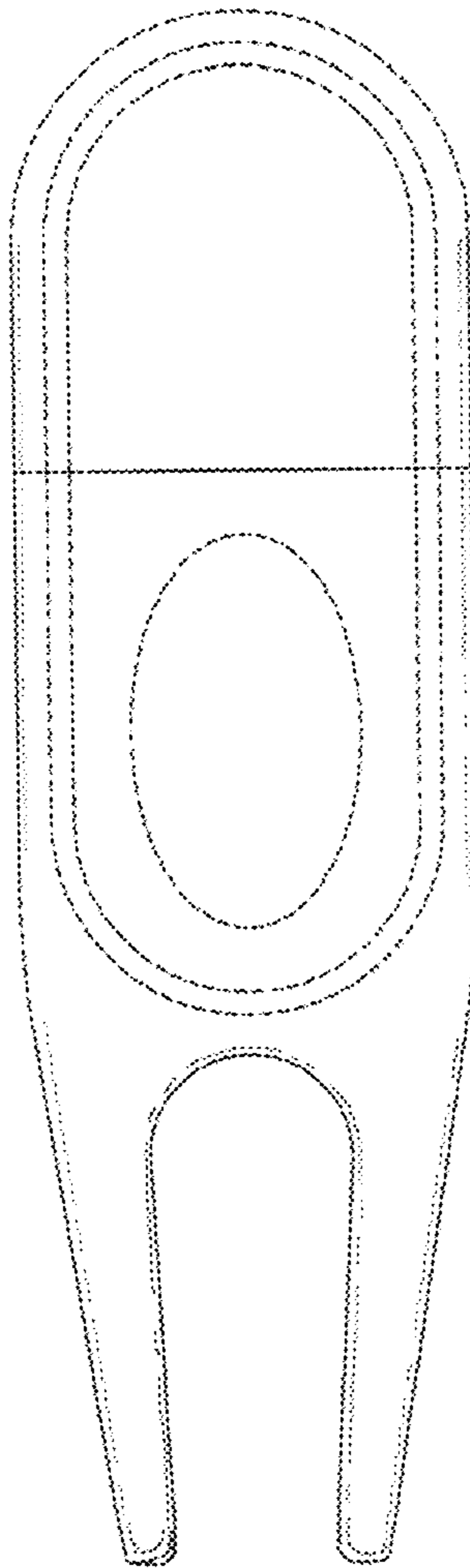


FIG. 5

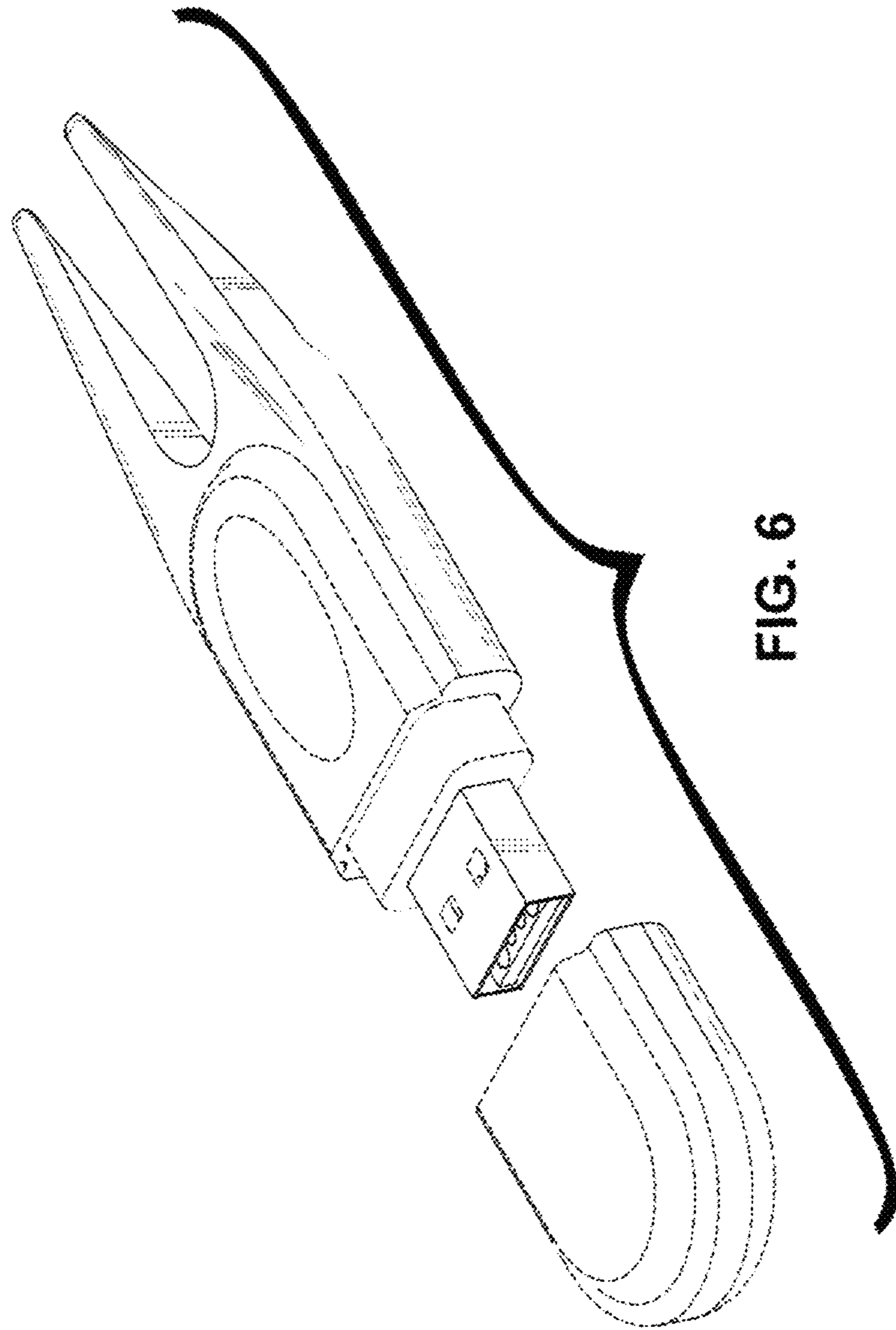


FIG. 6

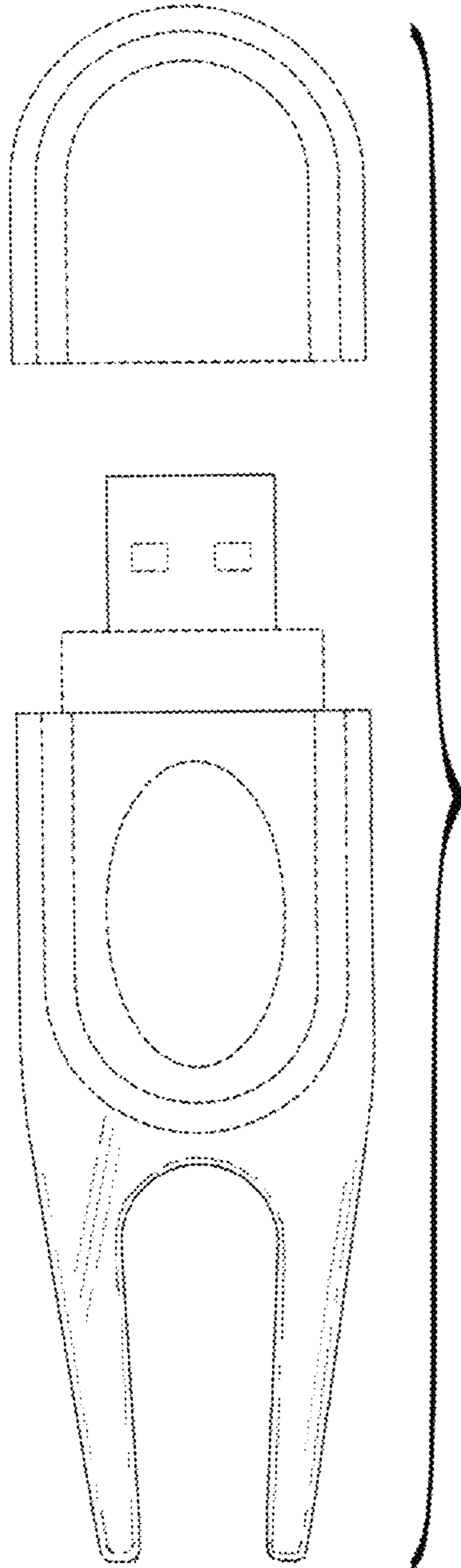


FIG. 7

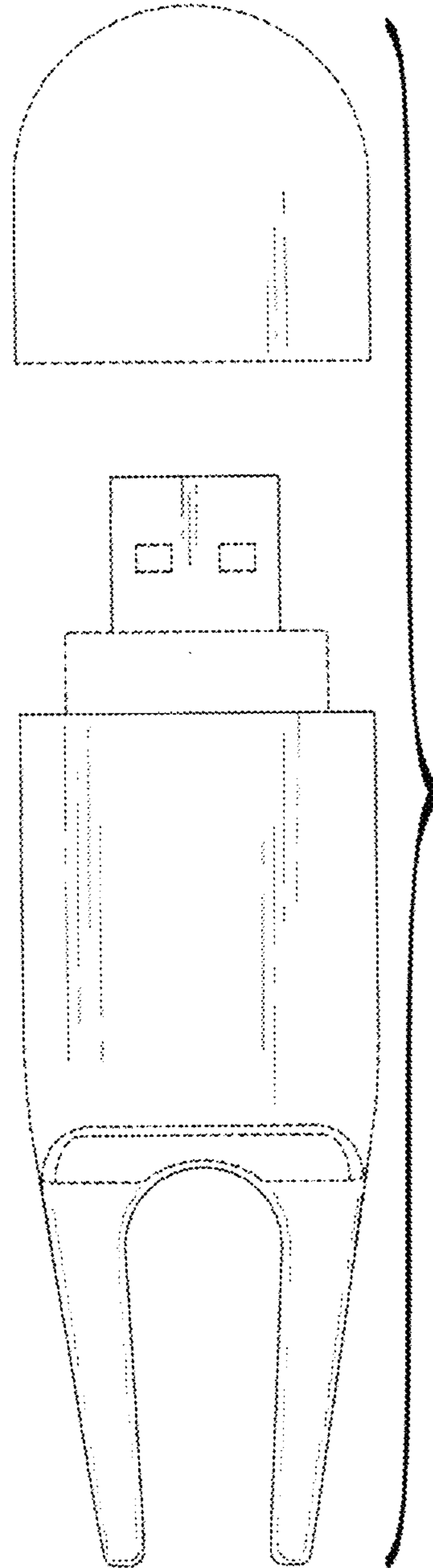


FIG. 8

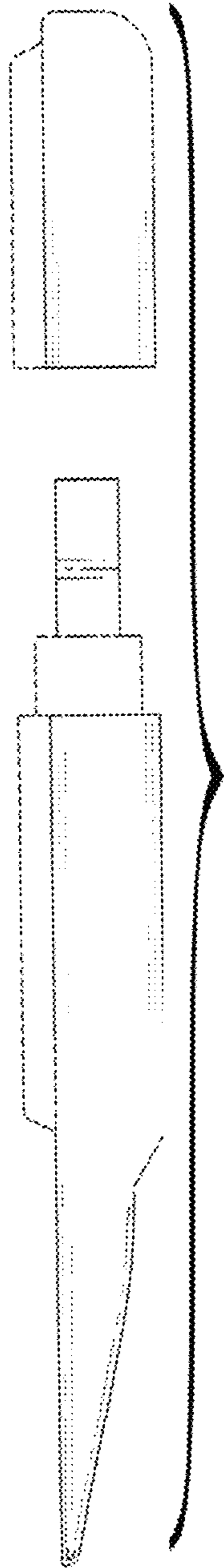


FIG. 9

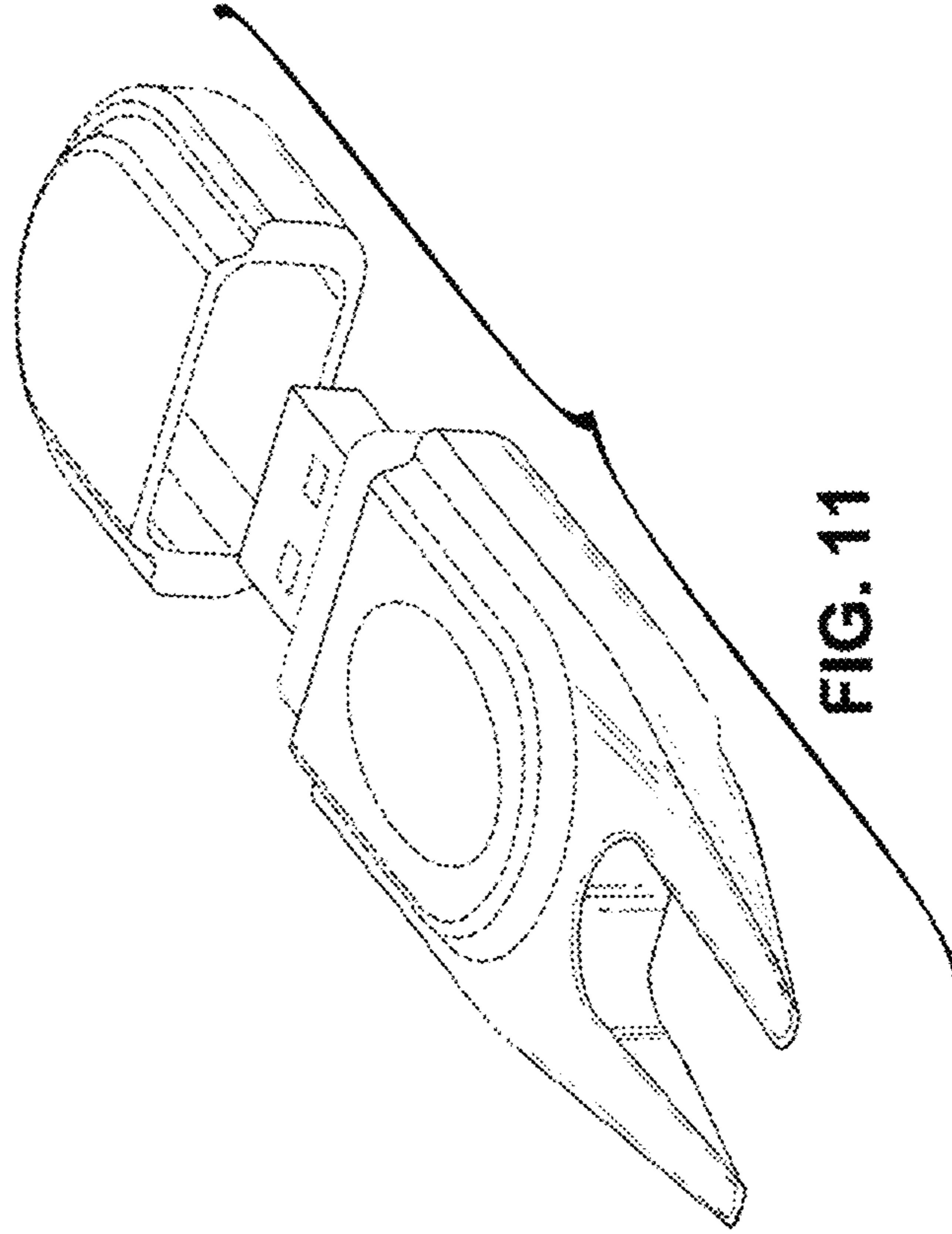


FIG. 11

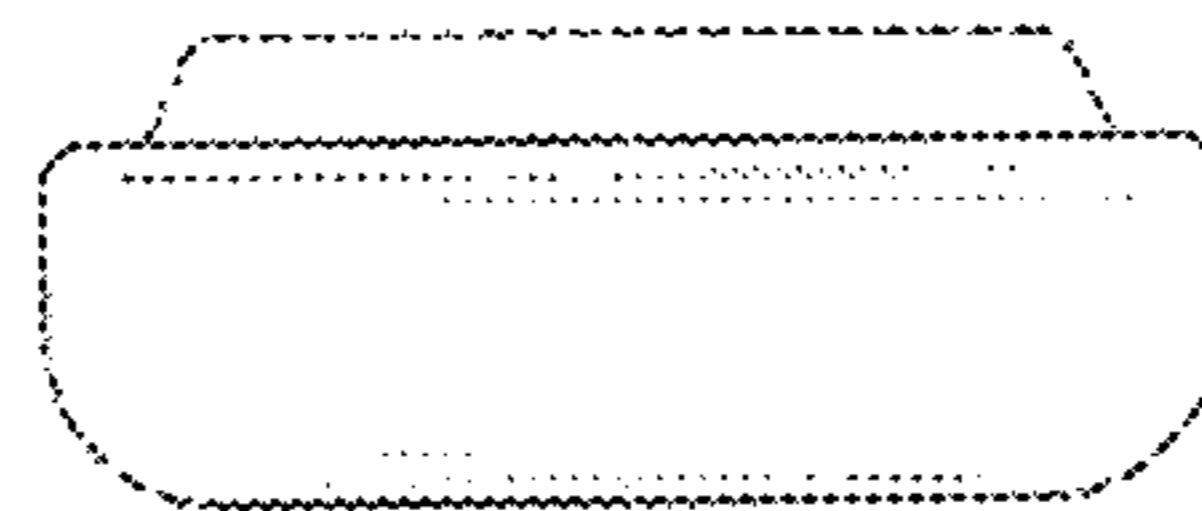


FIG. 10