



US00D783751S

(12) **United States Design Patent**
Yao

(10) **Patent No.:** **US D783,751 S**
(45) **Date of Patent:** **** Apr. 11, 2017**

(54) **SELF-BALANCE VEHICLE**
(71) Applicant: **Dongguan Chexiaomi Intelligent Technology Co., Ltd., Dongguan (CN)**
(72) Inventor: **Yuman Yao, Dongguan (CN)**
(73) Assignee: **DONGGUAN CHEXIAOMI INTELLIGENT TECHNOLOGY CO., LTD., Dongguan (CN)**

D601,922 S * 10/2009 Imai D12/1
8,738,278 B2 * 5/2014 Chen B62K 3/007
180/218
D737,723 S * 9/2015 Ying D12/1
D738,256 S * 9/2015 Ying D12/1
D739,906 S * 9/2015 Chen D21/760
9,376,155 B2 * 6/2016 Ying B62K 3/007
9,403,573 B1 * 8/2016 Mazzei B62D 51/02
9,499,228 B2 * 11/2016 Chang B62K 3/002
2007/0131461 A1 * 6/2007 Treadwell B62B 5/005
180/19.1
2013/0238231 A1 * 9/2013 Chen B62K 11/007
701/124
2015/0096820 A1 * 4/2015 Strack G11C 7/1072
180/181

(**) Term: **15 Years**
(21) Appl. No.: **29/553,990**
(22) Filed: **Feb. 5, 2016**

* cited by examiner

(30) **Foreign Application Priority Data**

Primary Examiner — Cynthia M Chin
(74) *Attorney, Agent, or Firm* — Ming Chow; Sinorica, LLC

Nov. 11, 2015 (CN) 2015 3 0448456
(51) **LOC (10) Cl.** **21-02**
(52) **U.S. Cl.**
USPC **D21/760**
(58) **Field of Classification Search**
USPC D21/419, 421, 423, 426, 760, 765, 766,
D21/769, 771, 776, 803; D12/1
CPC A63C 17/01; A63C 17/12; A63C 2203/00;
A63C 2203/011; A63C 2203/012; A63C
2203/013; A63C 2203/40; A63C 2203/52;
B62D 51/02; B62K 2202/00; B62K
2207/00; B62K 2207/02; B62K 2207/04
See application file for complete search history.

(57) **CLAIM**

The ornamental design for a self-balance vehicle, as shown and described.

(56) **References Cited**

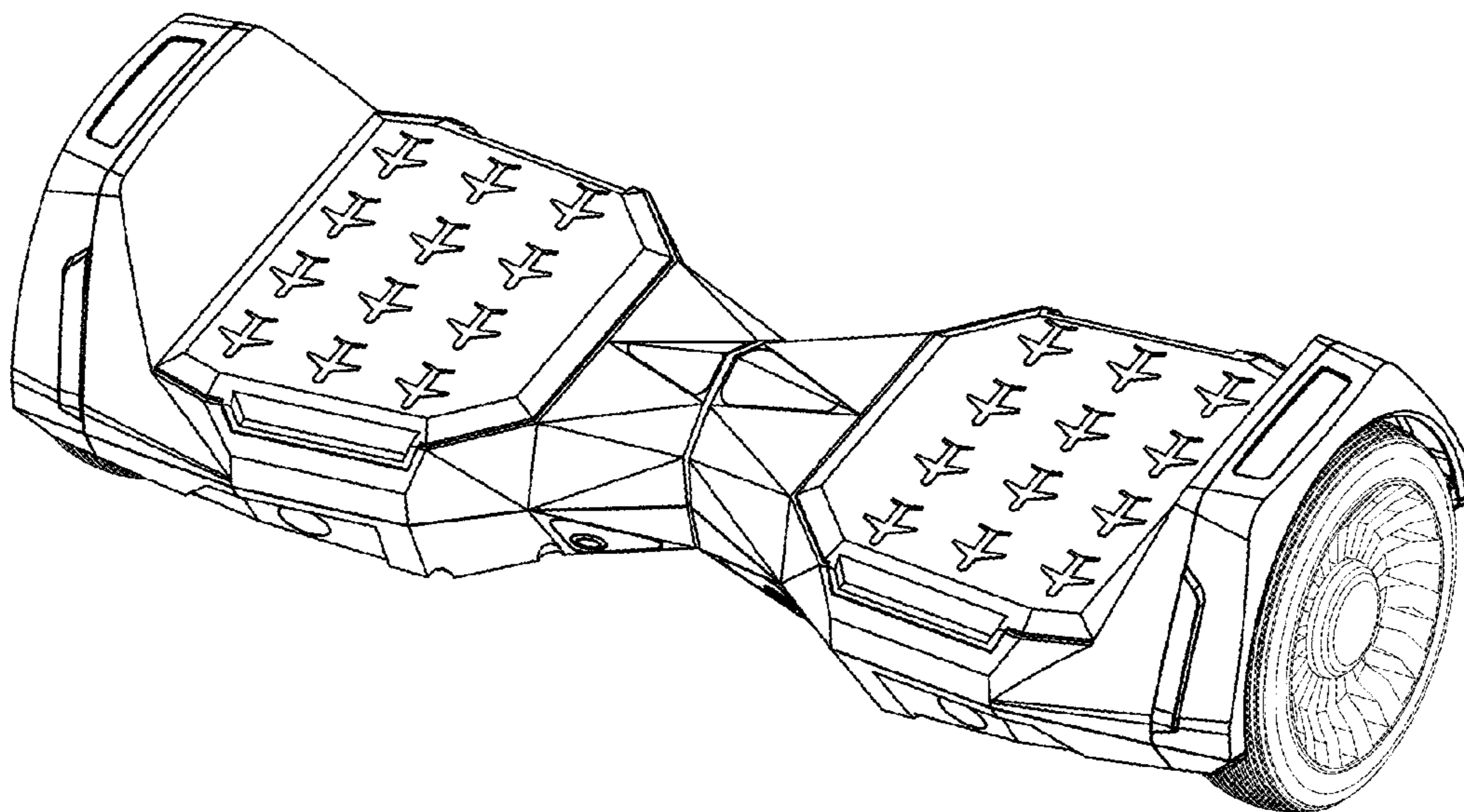
DESCRIPTION

FIG. 1 is a perspective view of my new design;
FIG. 2 is a front elevation view thereof;
FIG. 3 is a rear elevation view thereof;
FIG. 4 is left side view thereof;
FIG. 5 is right side view thereof;
FIG. 6 is a top plan view thereof;
FIG. 7 is a bottom plan view thereof; and,
FIG. 8 is another perspective view thereof.

U.S. PATENT DOCUMENTS

D535,714 S * 1/2007 Cheng D21/763
7,481,291 B2 * 1/2009 Nishikawa B62K 17/00
180/181

1 Claim, 8 Drawing Sheets



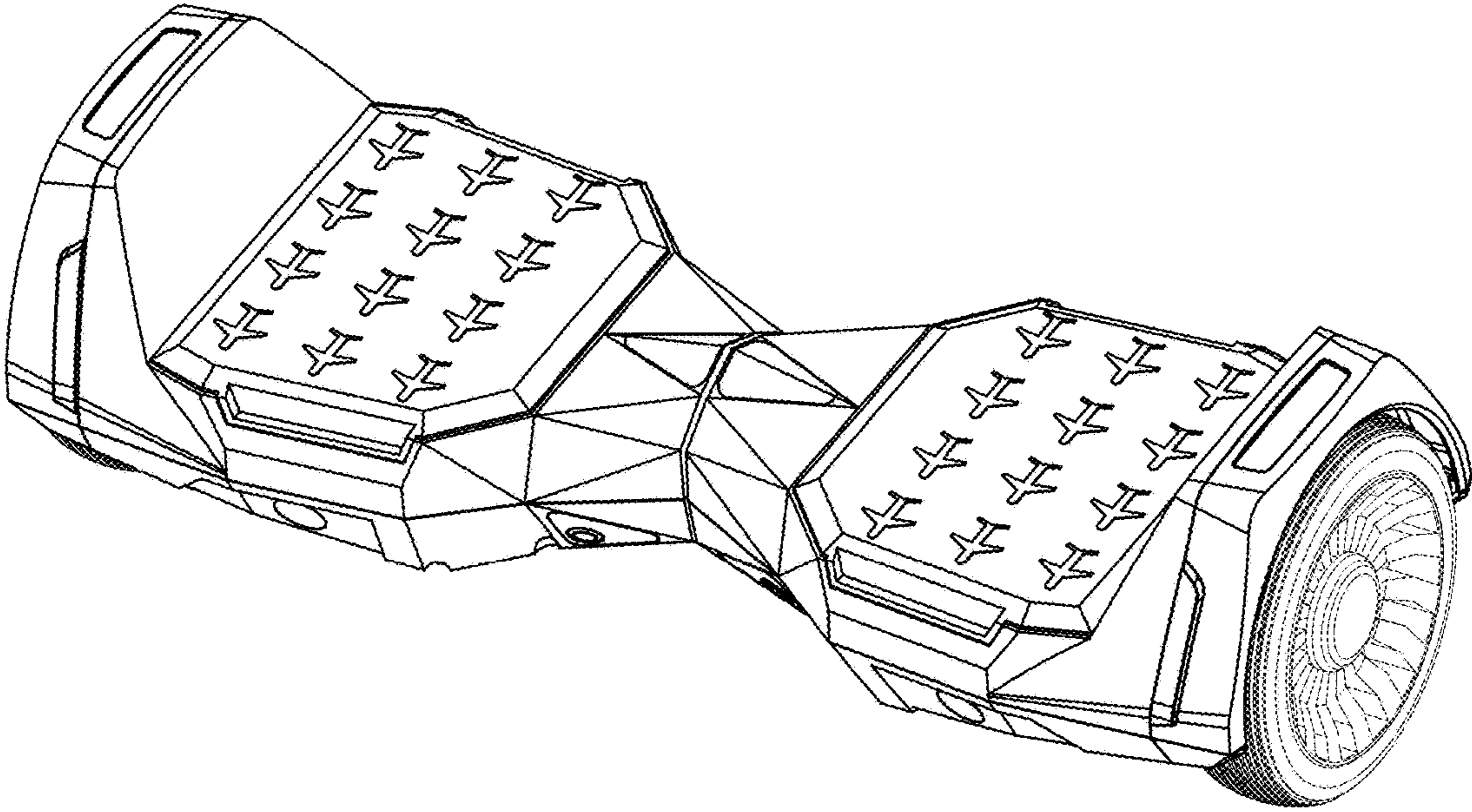


FIG.1

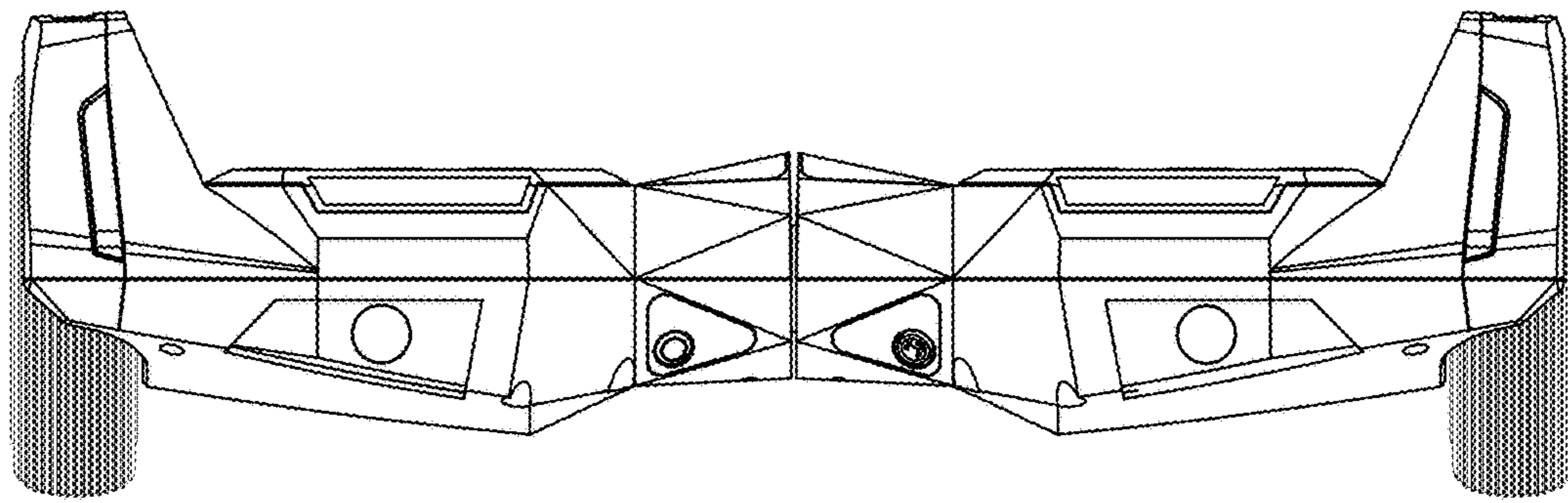


FIG.2

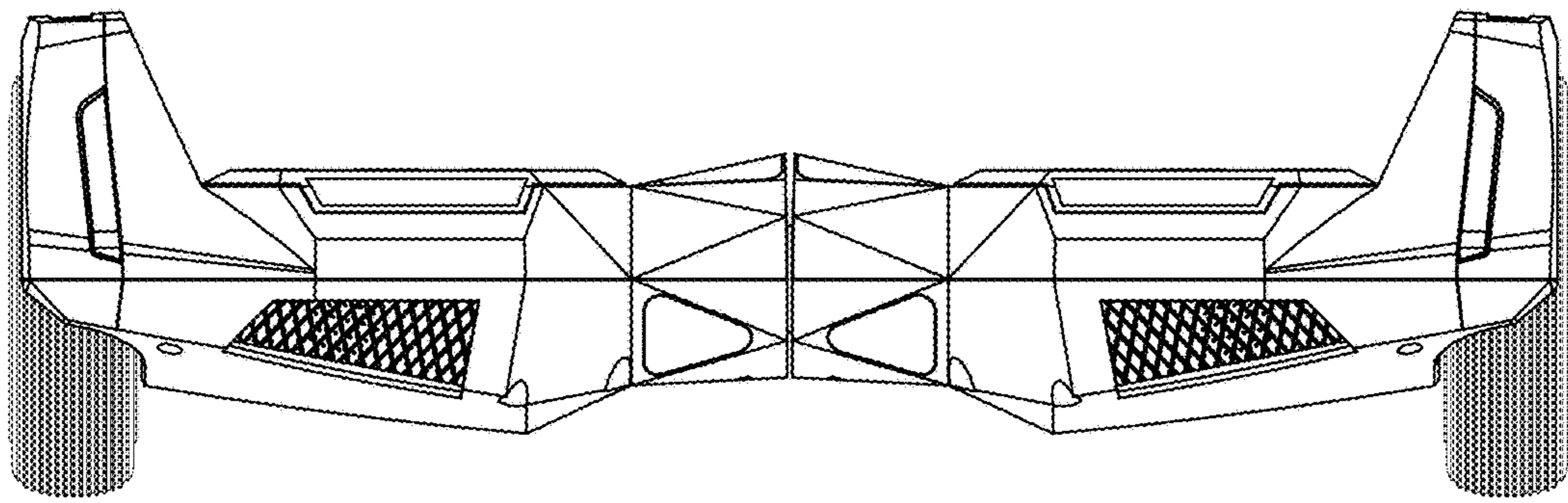


FIG.3

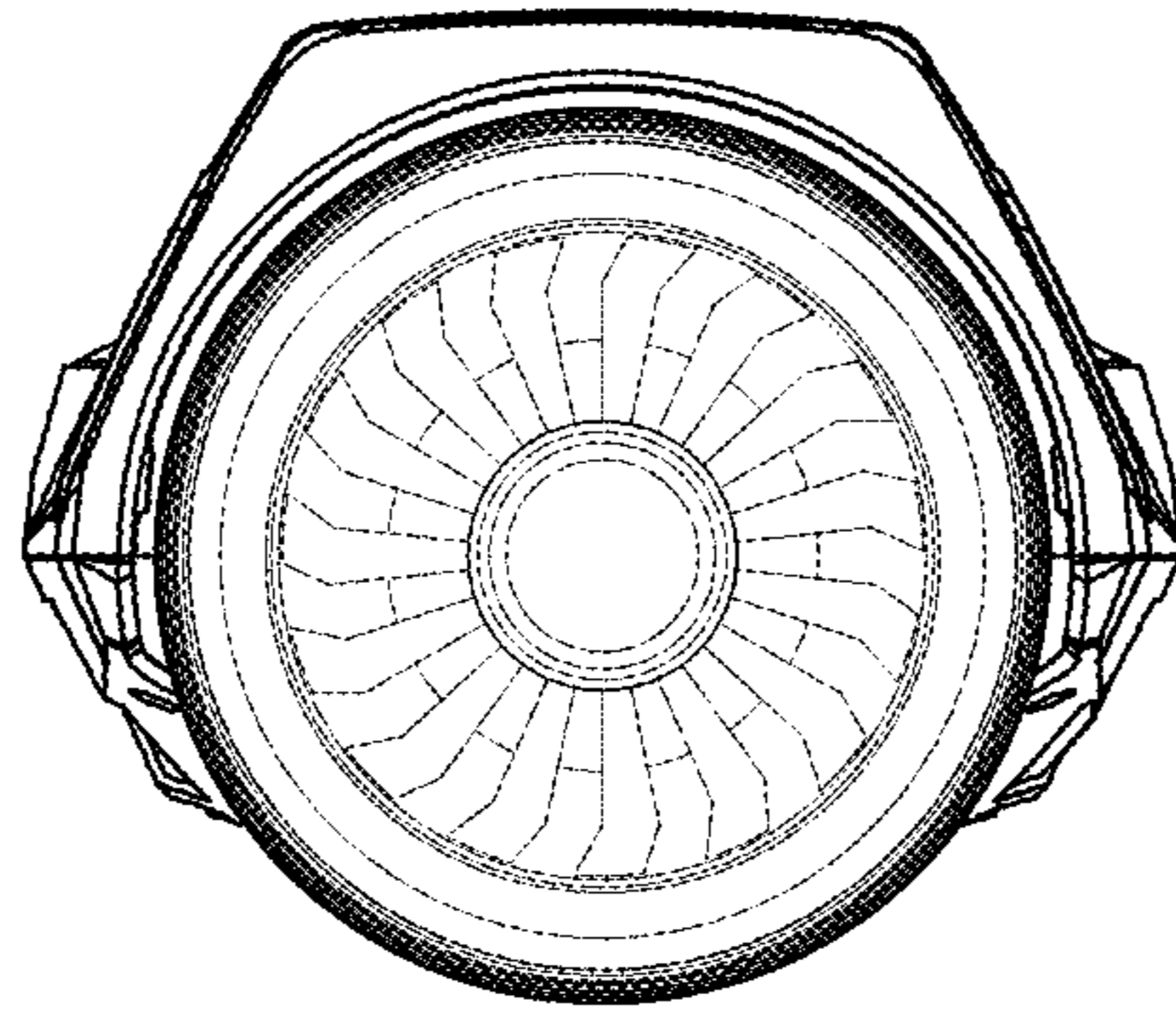


FIG.4

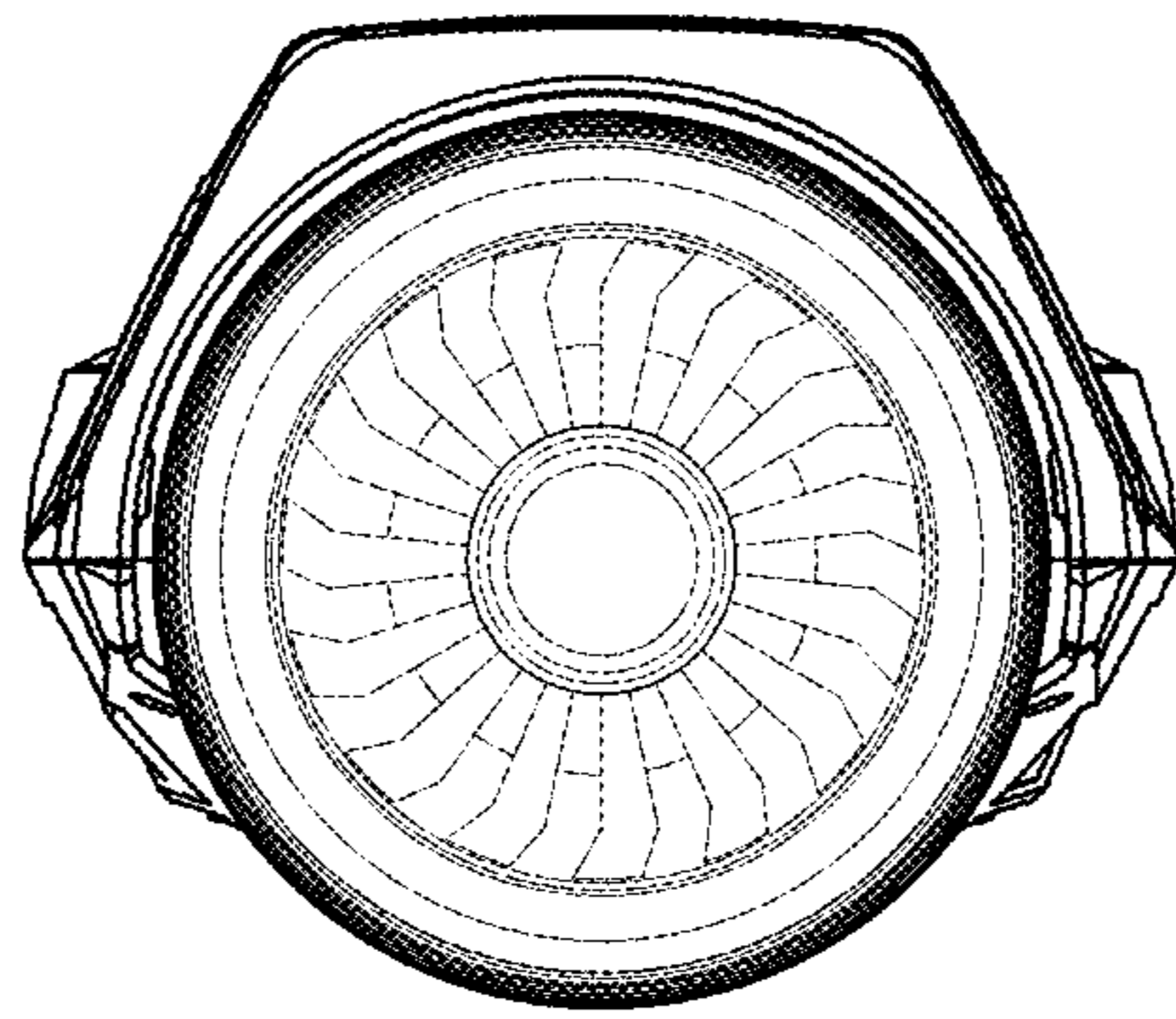


FIG.5

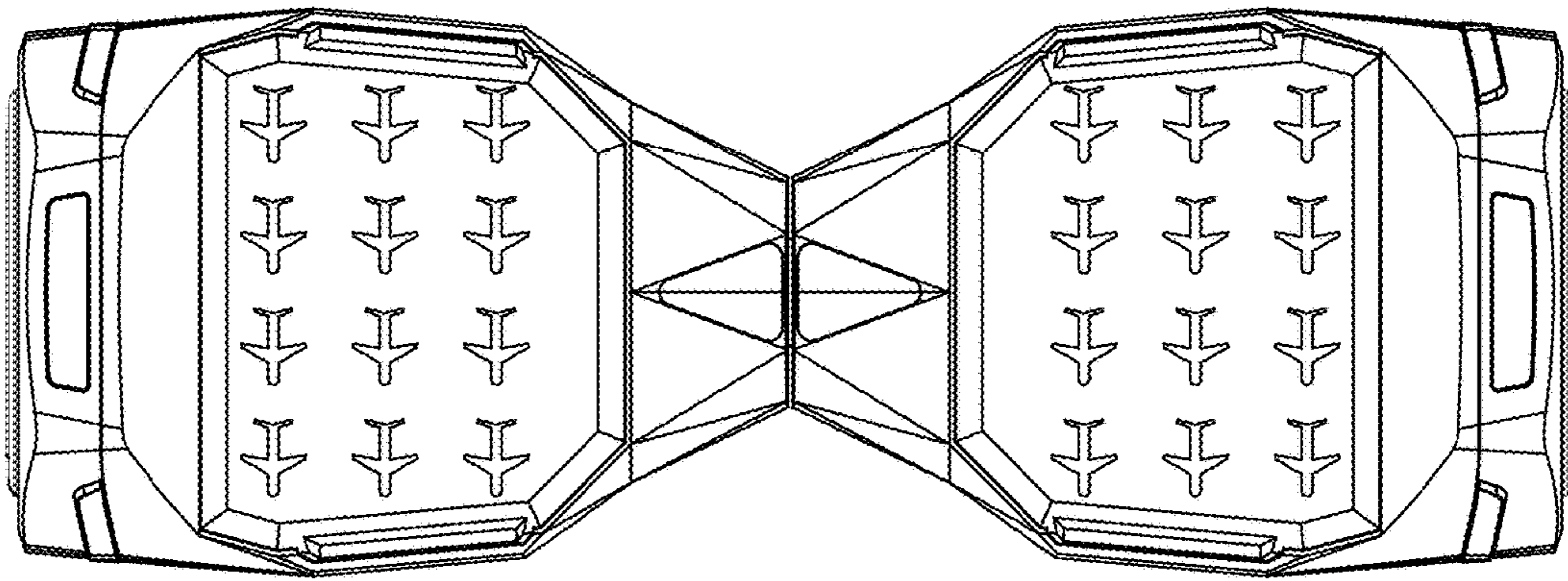


FIG.6

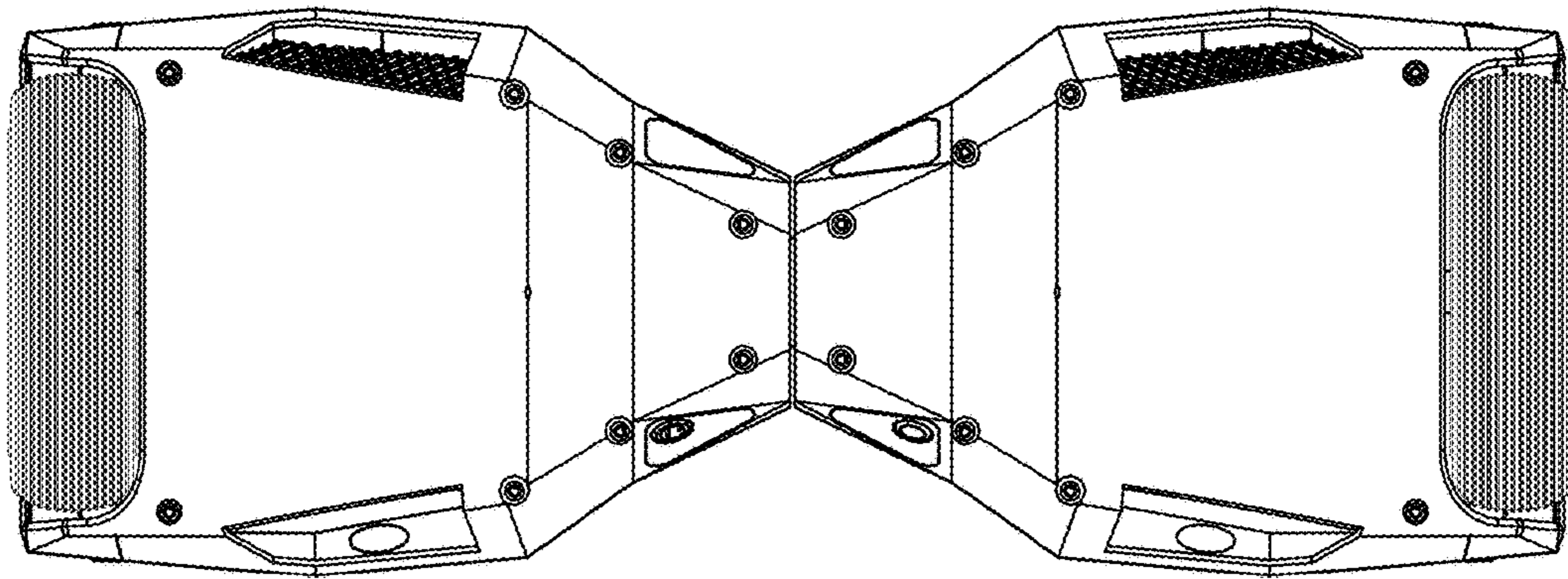


FIG.7

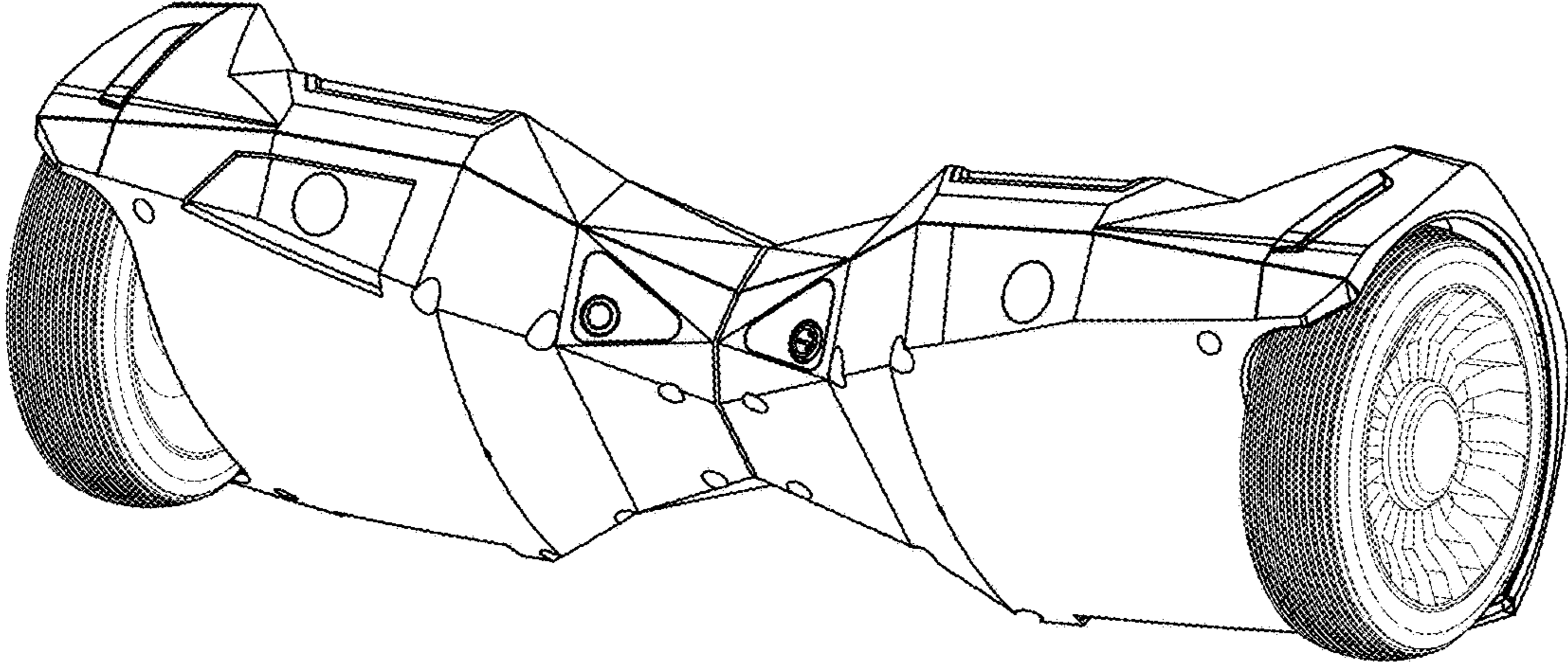


FIG.8