



US00D783750S

(12) **United States Design Patent**
Bennett et al.

(10) **Patent No.:** **US D783,750 S**
(45) **Date of Patent:** **** Apr. 11, 2017**

(54) **WEIGHT**

(71) Applicant: **Acushnet Company**, Fairhaven, MA (US)

(72) Inventors: **Thomas Orrin Bennett**, Carlsbad, CA (US); **Stephen S. Murphy**, Carlsbad, CA (US); **Richard L. Cleghorn**, Oceanside, CA (US)

(73) Assignee: **Acushnet Company**, Fairhaven, MA (US)

(**) Term: **15 Years**

(21) Appl. No.: **29/545,999**

(22) Filed: **Nov. 18, 2015**

(51) **LOC (10) Cl.** **21-02**

(52) **U.S. Cl.**
USPC **D21/759**

(58) **Field of Classification Search**
USPC D21/733-752, 753, 759
CPC A63B 53/00; A63B 53/04; A63B 53/466; A63B 2053/002; A63B 2053/0445; A63B 2053/0433; A63B 2053/0437; A63B 2053/0491; A63B 53/047; A63B 53/0475; A63B 53/0445; A63B 2053/0479; A63B 53/065; A63B 53/0487; A63B 53/007
See application file for complete search history.

(56) **References Cited**

U.S. PATENT DOCUMENTS

4,811,949 A * 3/1989 Kobayashi A63B 53/04 473/337

5,489,097 A * 2/1996 Simmons A63B 53/0487 473/326

5,582,553 A * 12/1996 Ashcraft A63B 53/04 473/338

6,458,044 B1 * 10/2002 Vincent A63B 53/04 473/334

6,612,936 B1 * 9/2003 Matias A63B 69/3638 473/256

6,929,564 B2 * 8/2005 Olsavsky A63B 53/0487 473/340

6,932,716 B2 * 8/2005 Ehlers A63B 53/04 473/329

D515,165 S * 2/2006 Zimmerman D21/789

D516,656 S * 3/2006 Hoffman D21/789

D565,143 S * 3/2008 Wilson D21/789

RE41,116 E * 2/2010 Zimmerman D21/789

7,886,572 B2 * 2/2011 Harpham A63B 53/0466 473/326

7,922,600 B1 * 4/2011 Ambrose A63B 53/00 473/312

7,997,997 B2 * 8/2011 Bennett A63B 53/02 473/288

8,057,320 B2 * 11/2011 Bennett A63B 53/02 473/246

D656,572 S * 3/2012 Foster D21/789

D713,906 S * 9/2014 Tang D21/759

8,834,294 B1 * 9/2014 Seluga A63B 53/04 473/338

9,067,110 B1 * 6/2015 Seluga A63B 53/06

(Continued)

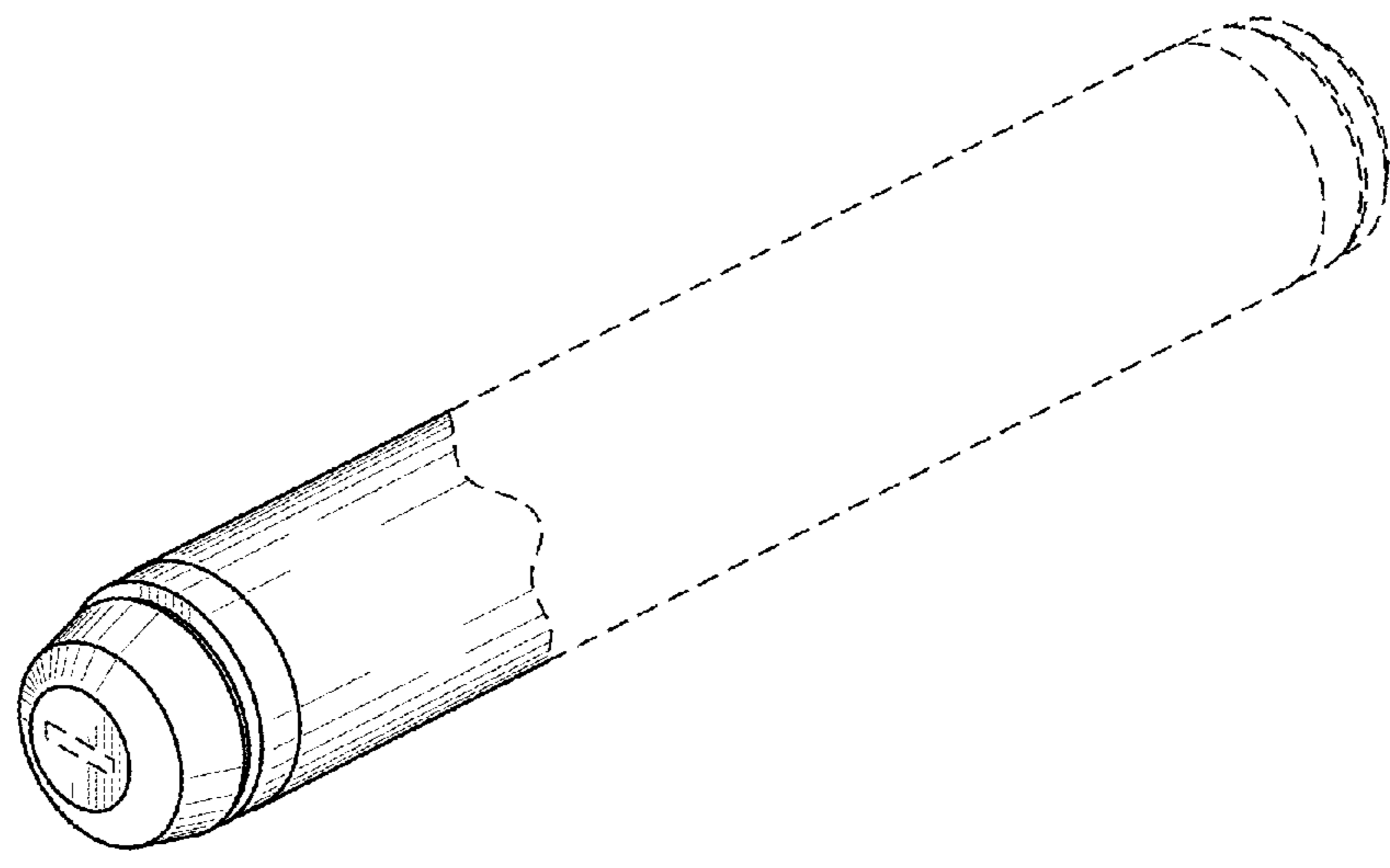
Primary Examiner — Mitchell Siegel
(74) *Attorney, Agent, or Firm* — Randy K. Chang

(57) **CLAIM**
The ornamental design for a weight, as shown and described.

DESCRIPTION

FIG. 1 is a perspective view of a weight; FIG. 2 is an end view thereof; and, FIG. 3 is a side elevation view thereof. The portion of the club head shown in phantom are for illustrative purposes only and do not form any portion of the claimed design.

1 Claim, 1 Drawing Sheet



(56)

References Cited

U.S. PATENT DOCUMENTS

9,259,627	B1 *	2/2016	Myers	A63B 53/04
9,333,390	B1 *	5/2016	Manwaring	A63B 24/0003
9,421,432	B2 *	8/2016	Galvan	A63B 53/0466
2002/0137576	A1 *	9/2002	Dammen	A63B 53/04 473/336
2005/0272523	A1 *	12/2005	Atkins, Sr.	A63B 53/0466 473/329
2011/0224017	A1 *	9/2011	Thomas	A63B 53/0466 473/332
2016/0310809	A1 *	10/2016	Boggs	A63B 60/02

* cited by examiner

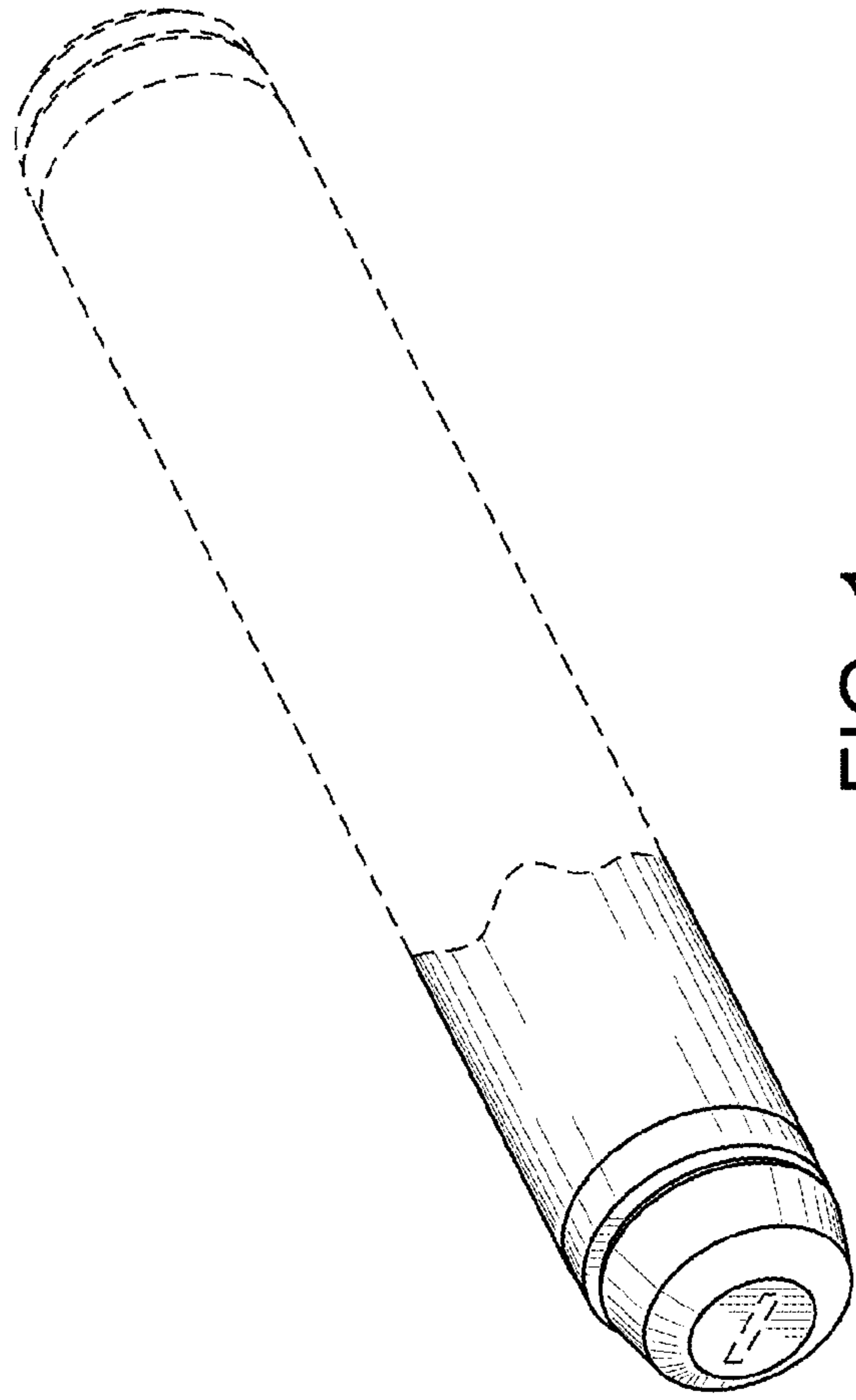


FIG. 1

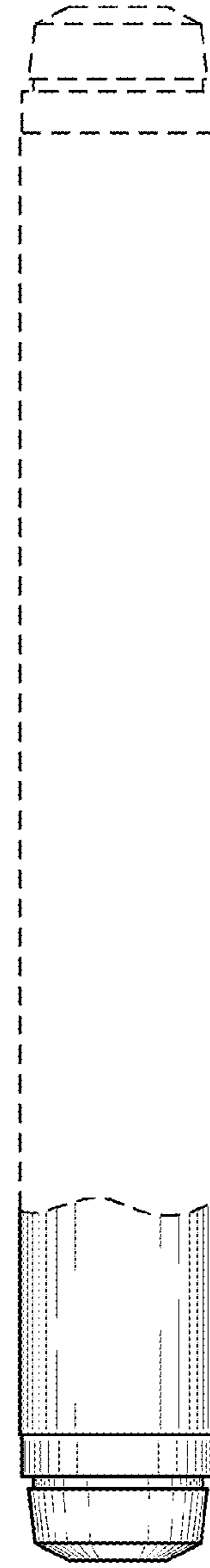


FIG. 3

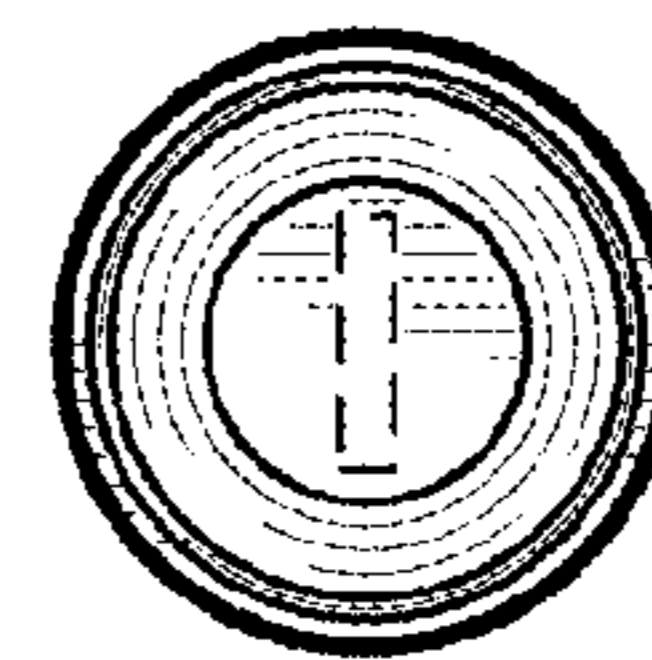


FIG. 2