



US00D783749S

(12) **United States Design Patent** (10) **Patent No.:** **US D783,749 S**
Becktor (45) **Date of Patent:** **** Apr. 11, 2017**

(54) **GOLF CLUB HEAD**
(71) Applicant: **DUNLOP SPORTS CO. LTD.**, Kobe (JP)
(72) Inventor: **Mika Becktor**, Costa Mesa, CA (US)
(73) Assignee: **DUNLOP SPORTS CO. LTD.**, Kobe-shi (JP)
(**) Term: **15 Years**
(21) Appl. No.: **29/542,495**
(22) Filed: **Oct. 14, 2015**
(51) **LOC (10) Cl.** **21-02**
(52) **U.S. Cl.**
USPC **D21/759**
(58) **Field of Classification Search**
USPC D21/736-746, 759
CPC ... A63B 53/065; A63B 53/0487; A63B 53/00;
A63B 53/007; A63B 53/04
See application file for complete search history.

8,771,098 B2 7/2014 Hilton
8,834,285 B2 9/2014 Franklin et al.
D730,462 S 5/2015 Becktor et al.
D730,463 S 5/2015 Dolezel et al.
D732,120 S 6/2015 Becktor et al.
D732,121 S 6/2015 Trahan et al.
D732,122 S 6/2015 Becktor
(Continued)

OTHER PUBLICATIONS

Nike Golf Method Converge M1-08 Putter. Information and images available at: <<http://www.golfwrx.com/246795/full-nike-2015-equipment-line>>. pp. 10-11. Oct. 1, 2014.

(Continued)

Primary Examiner — Mitchell Siegel
(74) *Attorney, Agent, or Firm* — Oliff PLC

(57) **CLAIM**

The ornamental design for a golf club head, as shown and described.

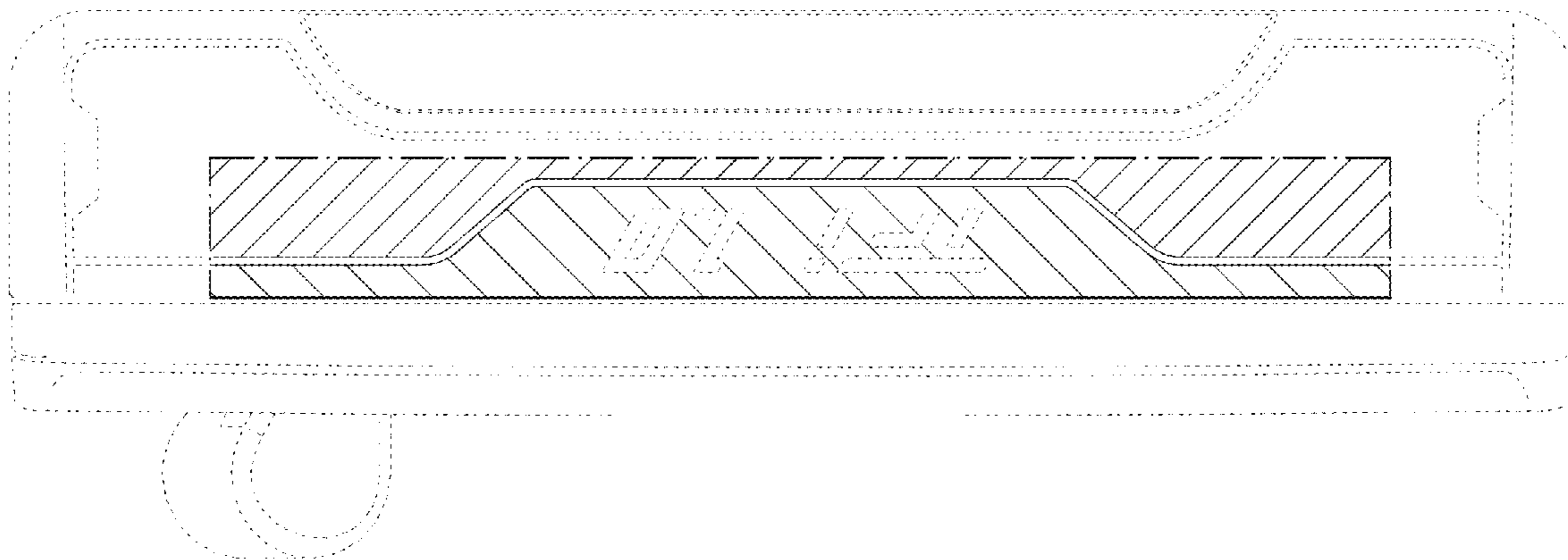
DESCRIPTION

FIG. 1 is a rear elevational view of the golf club head; FIG. 2 is a heel-side elevational view thereof; FIG. 3 is a toe-side elevational view thereof; FIG. 4 is a bottom plan view thereof; and, FIG. 5 is a cross-sectional view thereof taken along line 5-5 in FIG. 1.

The dot-dash chain lines illustrate the boundaries of the claimed design and form no part of the claimed design. The broken lines illustrate environmental subject matter and form no part of the claimed design. The two solid-line crosshatch patterns each represent an area having a different surface texture, surface treatment, color, and/or material from the other.

1 Claim, 4 Drawing Sheets

(56) **References Cited**
U.S. PATENT DOCUMENTS
5,405,136 A 4/1995 Hardman
5,464,212 A 11/1995 Cook
5,766,093 A 6/1998 Rohrer
5,944,619 A 8/1999 Cameron
6,302,807 B1 10/2001 Rohrer
6,375,583 B1 4/2002 Solheim
6,680,822 B1 1/2004 Lin et al.
D529,564 S * 10/2006 Grace D21/759
7,175,540 B2 2/2007 Sano
7,455,599 B2 11/2008 Jones
7,648,424 B2 1/2010 Hinojosa
D642,643 S * 8/2011 Nicolette D21/759
D661,754 S * 6/2012 Cameron D21/759
D708,278 S * 7/2014 Saliba D21/759



(56)

References Cited

U.S. PATENT DOCUMENTS

D732,618	S	6/2015	Becktor et al.	
D733,233	S	6/2015	Dolezel et al.	
D763,382	S *	8/2016	Cardani	D21/759
D763,991	S *	8/2016	Cardani	D21/759
D763,992	S *	8/2016	Cardani	D21/759
D763,993	S *	8/2016	Cardani	D21/759
D765,198	S *	8/2016	Cardani	D21/759
2012/0149492	A1	6/2012	Del Rosario et al.	
2014/0194220	A1	7/2014	Hocknell et al.	

OTHER PUBLICATIONS

Nike Method Converge B1-01 Putter. Information and images available at: <<http://www.golfwrx.com/246795/full-nike-2015-equipment-line>>. Oct. 1, 2014.

Nike Method Converge S1-12 Putter. Information and images available at: <<http://www.golfwrx.com/246795/full-nike-2015-equipment-line>>. Oct. 1, 2014.

Cobra Golf Payday putter. Information and images available at: <http://valueguide.pga.com/detail-exec/brand/2678/product_type/206/model/44329/b/Cobra/p/Putter/m/Payday%20Mallet>. Nov. 26, 2007.

Cobra Golf Bobby Grace Cute Kid Putter. Information and images available at: <https://valueguide.pga.com/detail-exec/brand/2678/product_type/206/model/43637/b/Cobra/p/Putter/m/Bobby%20Grace%20The%20Cute%20Kid>. Nov. 26, 2007.

* cited by examiner

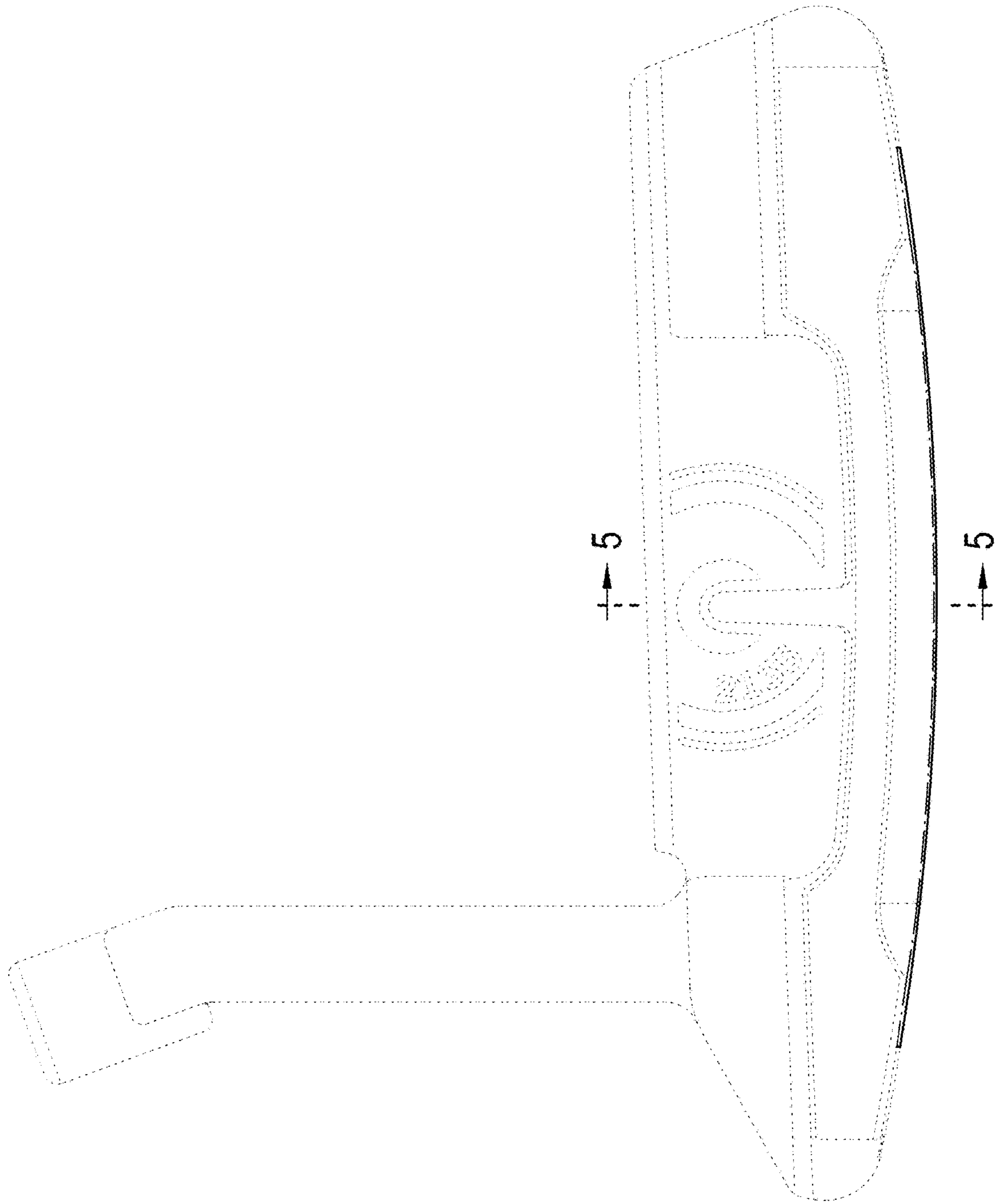


FIG. 1

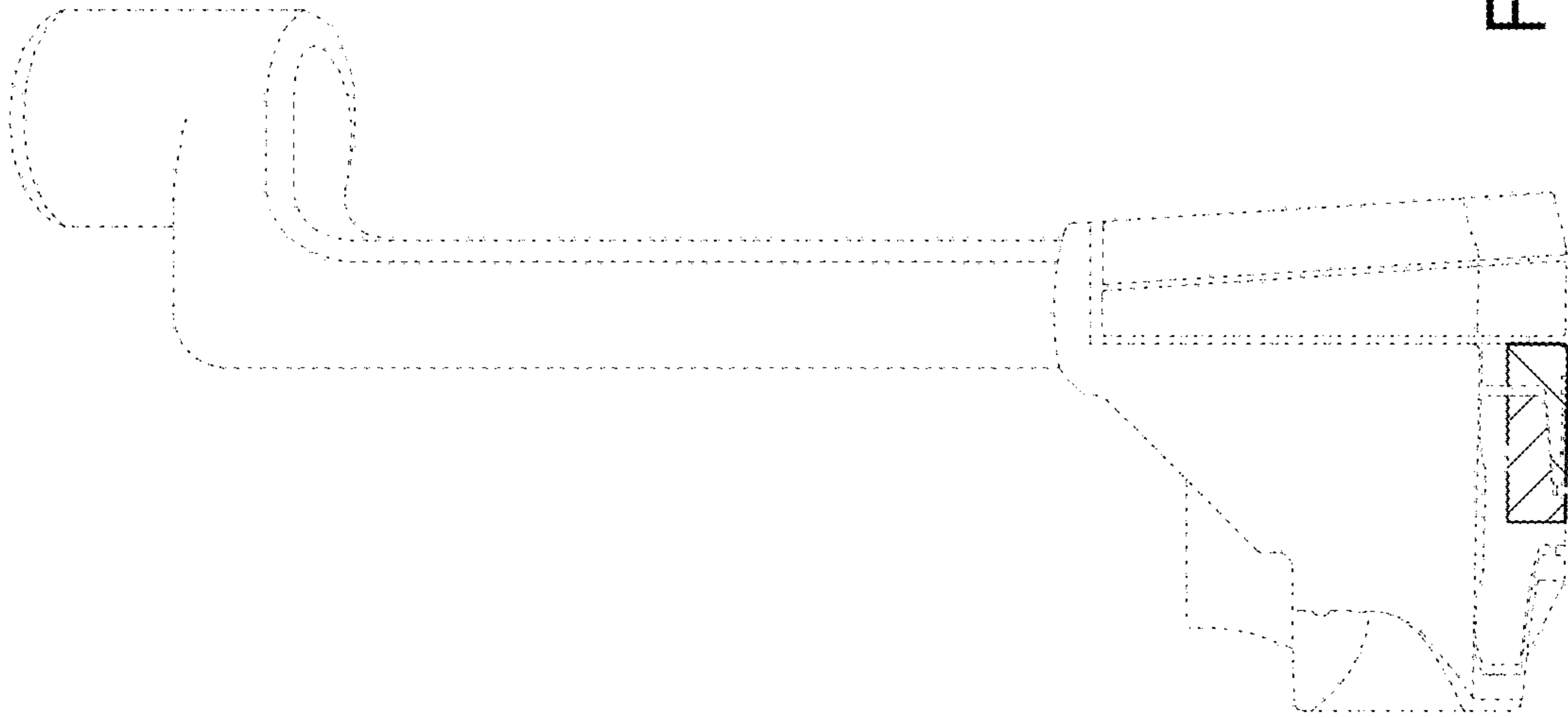


FIG. 3

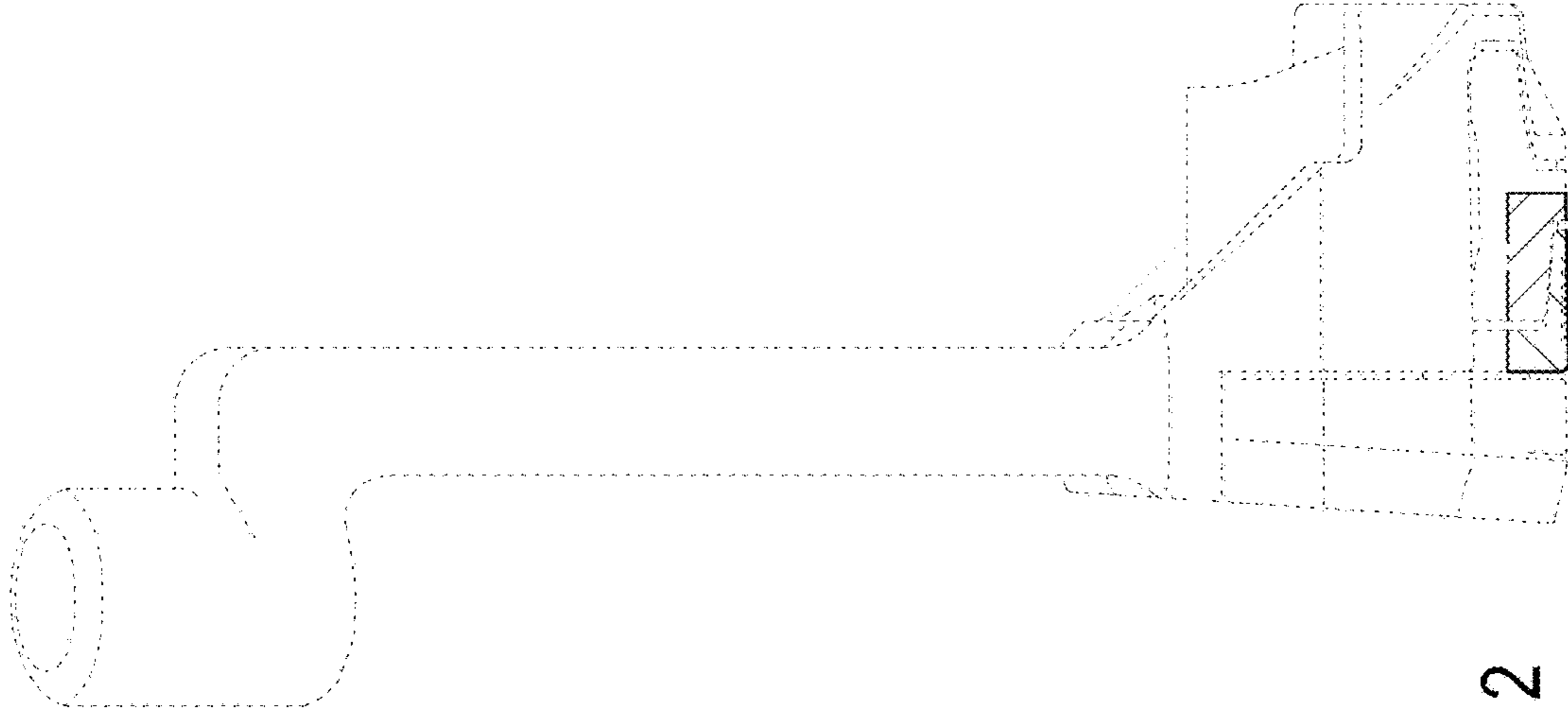


FIG. 2

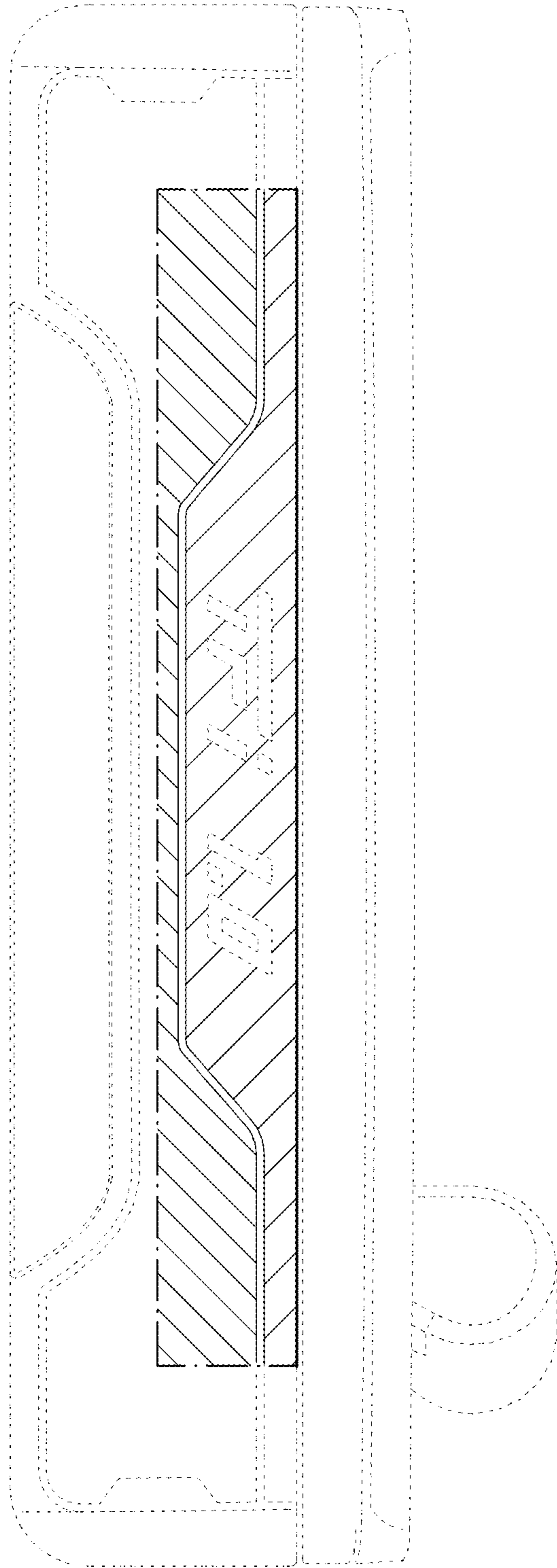


FIG. 4

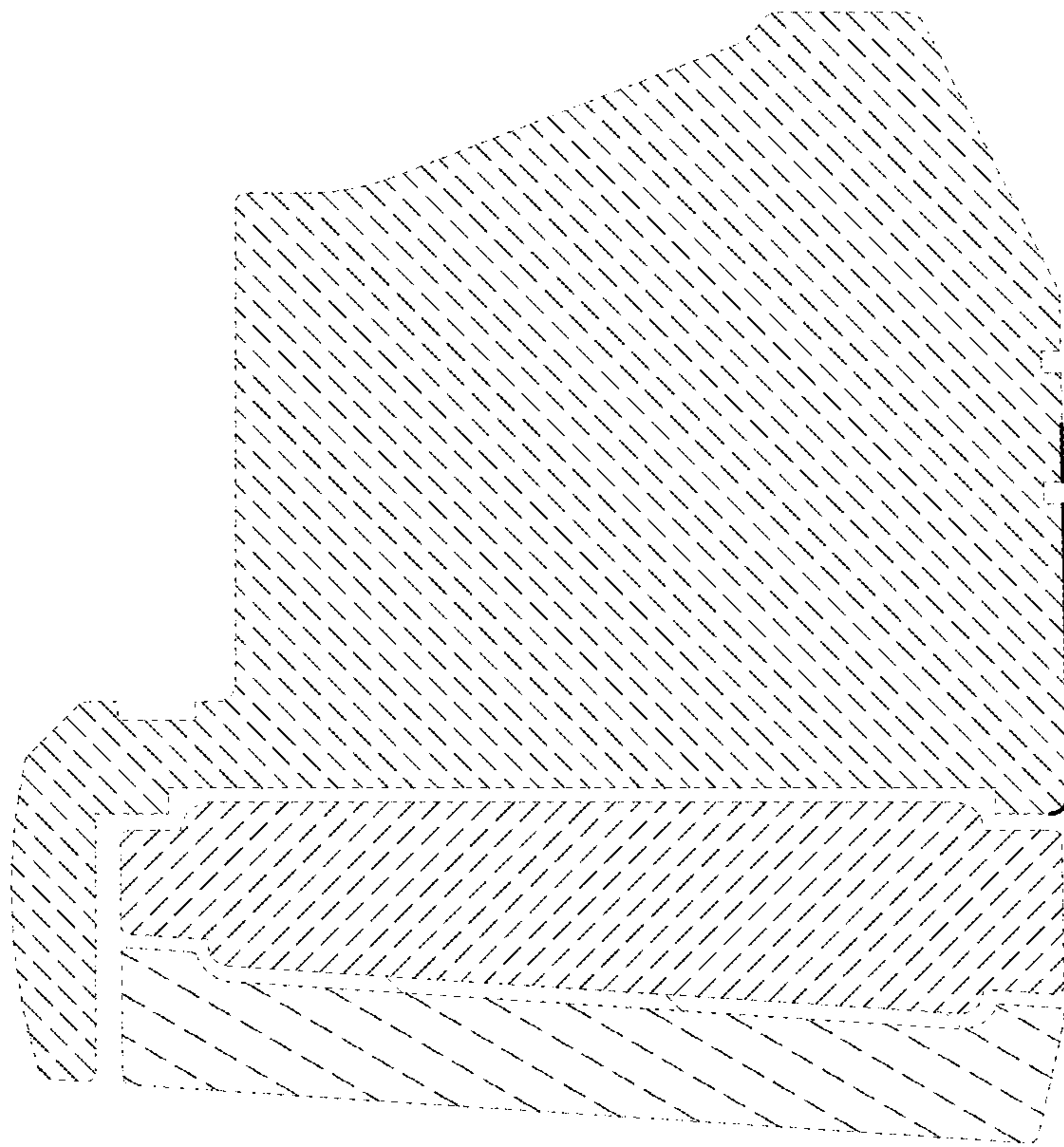


FIG. 5