



US00D783748S

(12) **United States Design Patent**
Song et al.

(10) **Patent No.:** **US D783,748 S**

(45) **Date of Patent:** **** Apr. 11, 2017**

(54) **GOLF CLUB HEAD**

(71) Applicant: **Acushnet Company**, Fairhaven, MA
(US)

(72) Inventors: **Yu-Jin Song**, San Marcos, CA (US);
Mitchell E. Bac, Temecula, CA (US)

(73) Assignee: **Acushnet Company**, Fairhaven, MA
(US)

(**) Term: **15 Years**

(21) Appl. No.: **29/545,997**

(22) Filed: **Nov. 18, 2015**

(51) **LOC (10) Cl.** **21-02**

(52) **U.S. Cl.**
USPC **D21/752**

(58) **Field of Classification Search**
USPC D21/733, 752, 759
CPC A63B 53/00; A63B 53/04; A63B 53/0466;
A63B 2053/002; A63B 2053/0445; A63B
2053/0433; A63B 2053/0437; A63B
2053/0491
See application file for complete search history.

(56) **References Cited**

U.S. PATENT DOCUMENTS

D594,918 S * 6/2009 Prichard D21/752
D613,805 S * 4/2010 Sutovsky D21/752

D618,294 S * 6/2010 Morris D21/752
D663,371 S * 7/2012 Kim D21/752
D667,907 S * 9/2012 Engel D21/752
D726,847 S * 4/2015 Song D21/752
D760,335 S * 6/2016 Song D21/752

OTHER PUBLICATIONS

U.S. Appl. No. 29/519,100, filed Mar. 2, 2015, Song et al.
U.S. Appl. No. 29/519,098, filed Mar. 2, 2015, Song et al.
U.S. Appl. No. 29/545,147, filed Nov. 10, 2015, Harvell et al.

* cited by examiner

Primary Examiner — Mitchell Siegel

(74) *Attorney, Agent, or Firm* — Randy K. Chang

(57) **CLAIM**

The ornamental design for a golf club head, as shown and described.

DESCRIPTION

FIG. 1 is a bottom perspective view of our new golf club head;

FIG. 2 is a front view thereof;

FIG. 3 is a bottom view thereof;

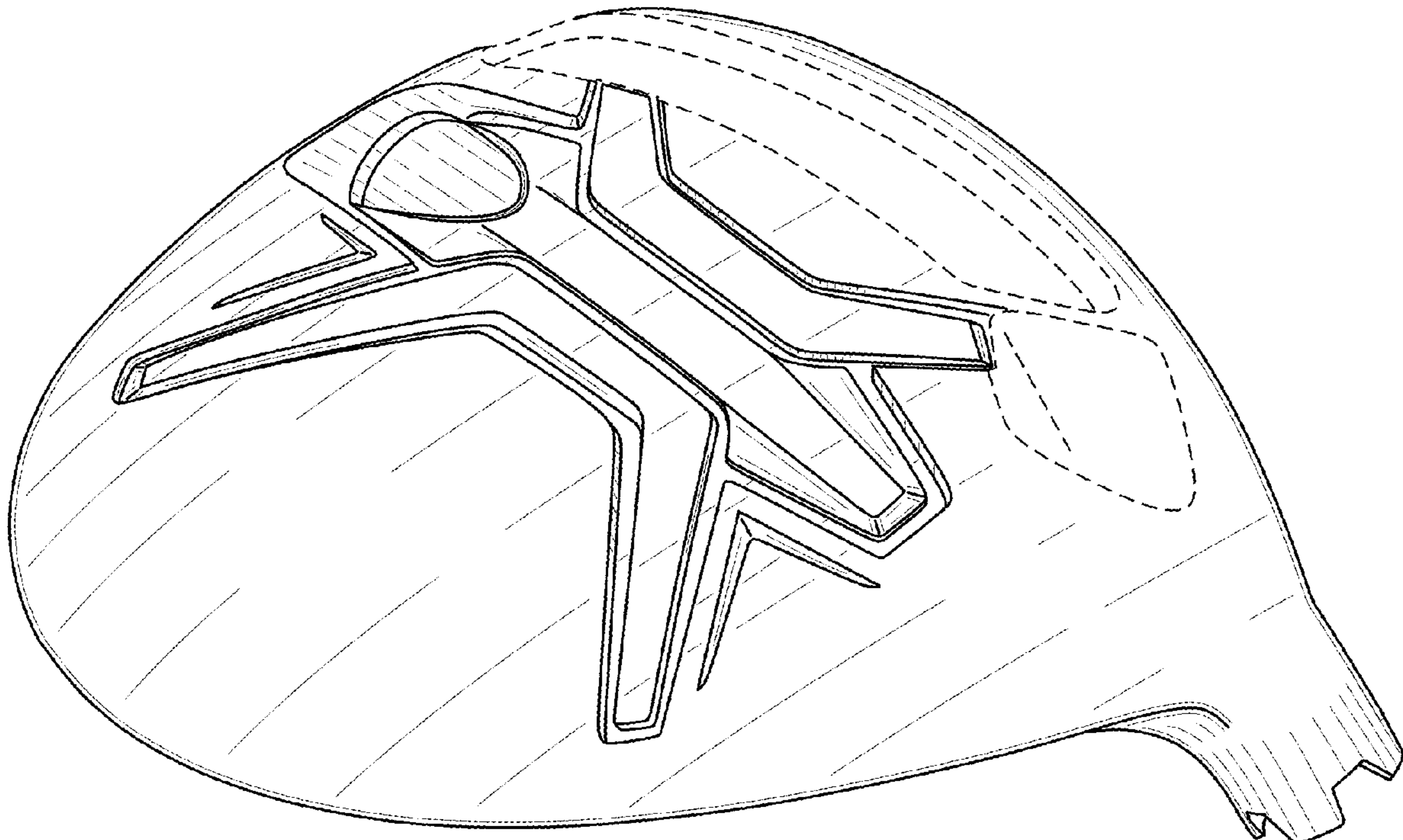
FIG. 4 is a top view thereof;

FIG. 6 is a toe side view thereof; and,

FIG. 7 is a heel side view thereof.

The portion of the club head shown in phantom are for illustrative purposes only and do not form any portion of the claimed design.

1 Claim, 4 Drawing Sheets



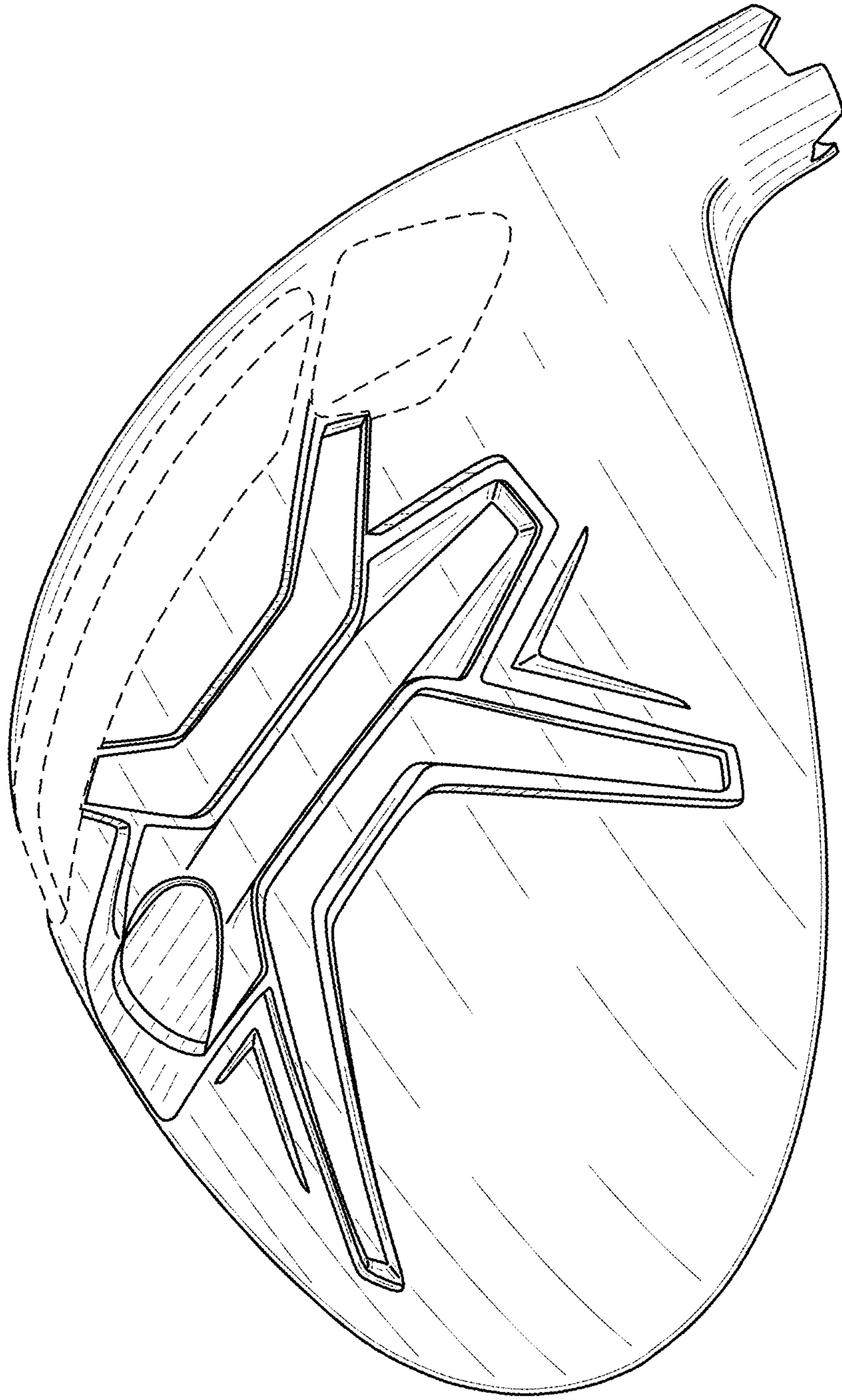


FIG. 1

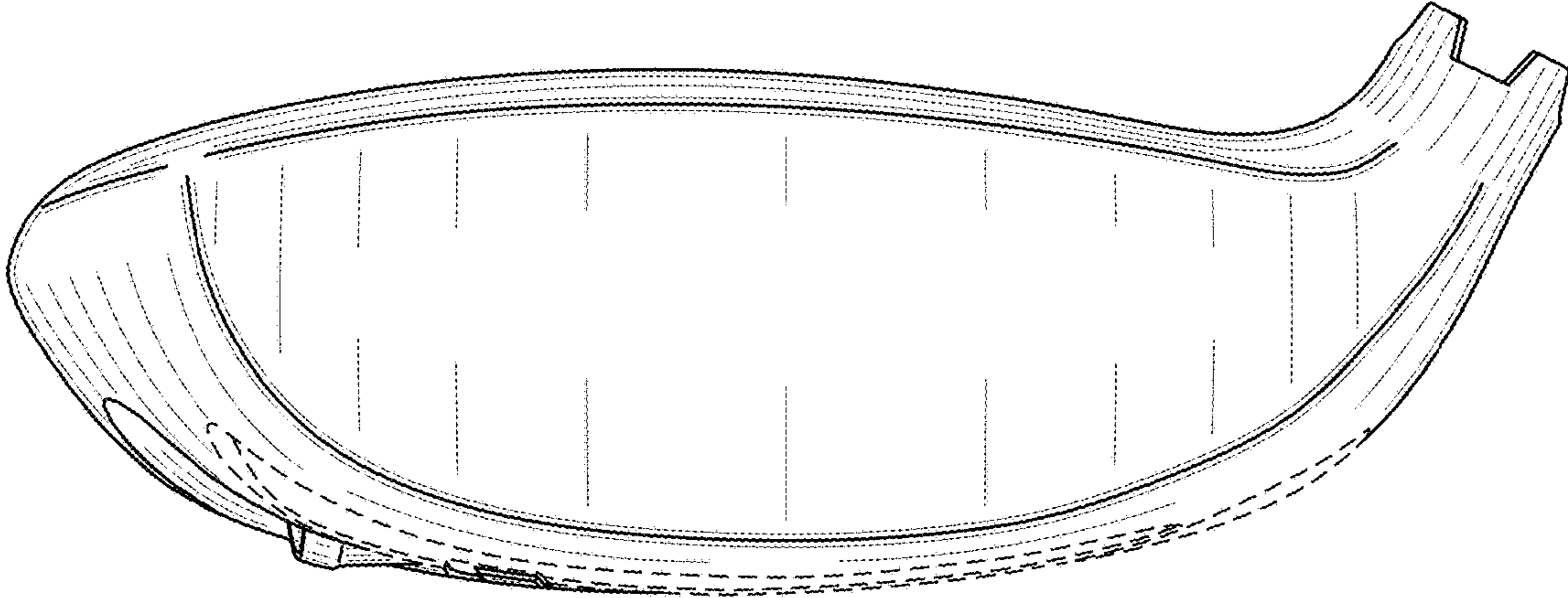


FIG. 2

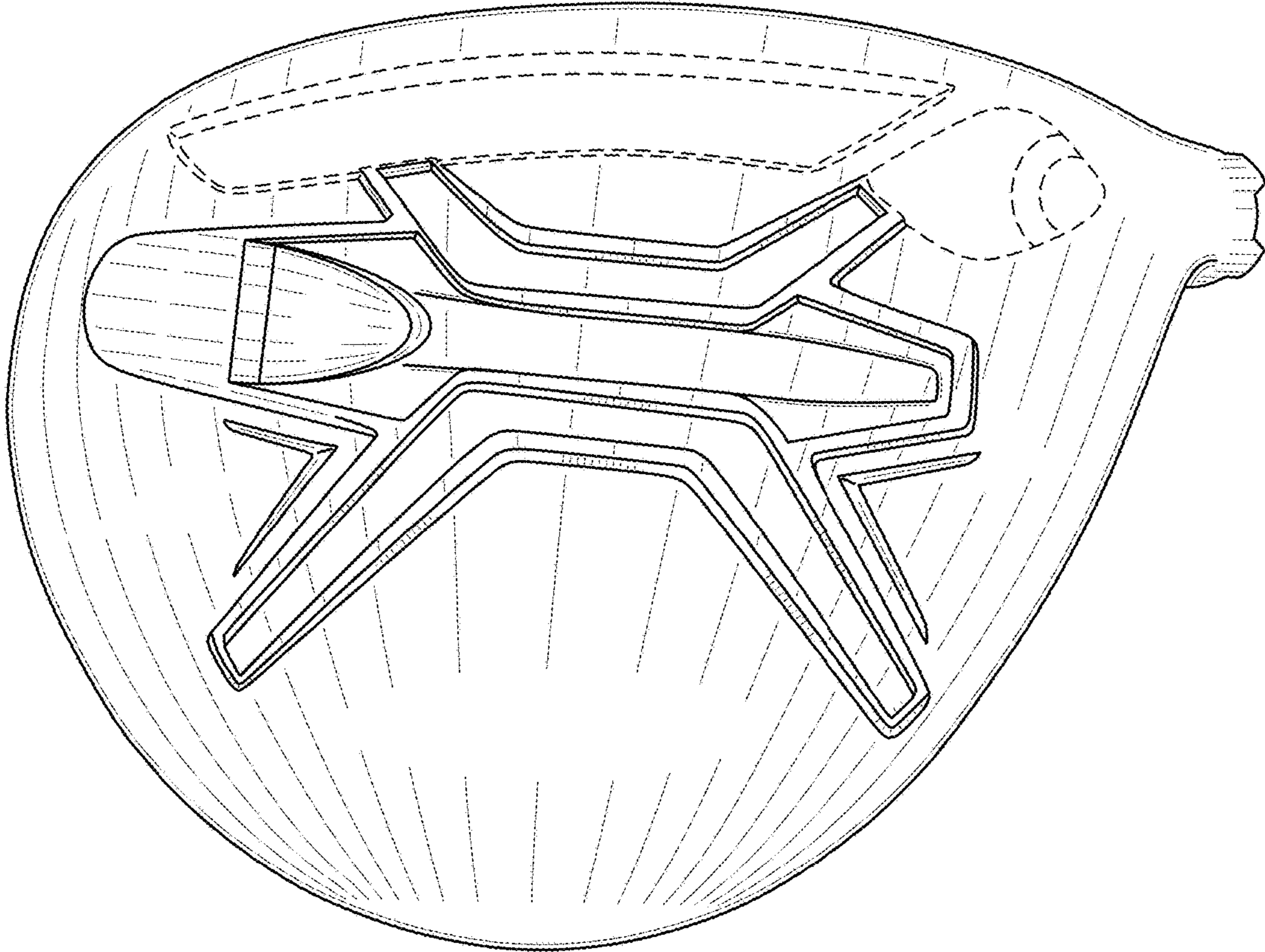


FIG. 3

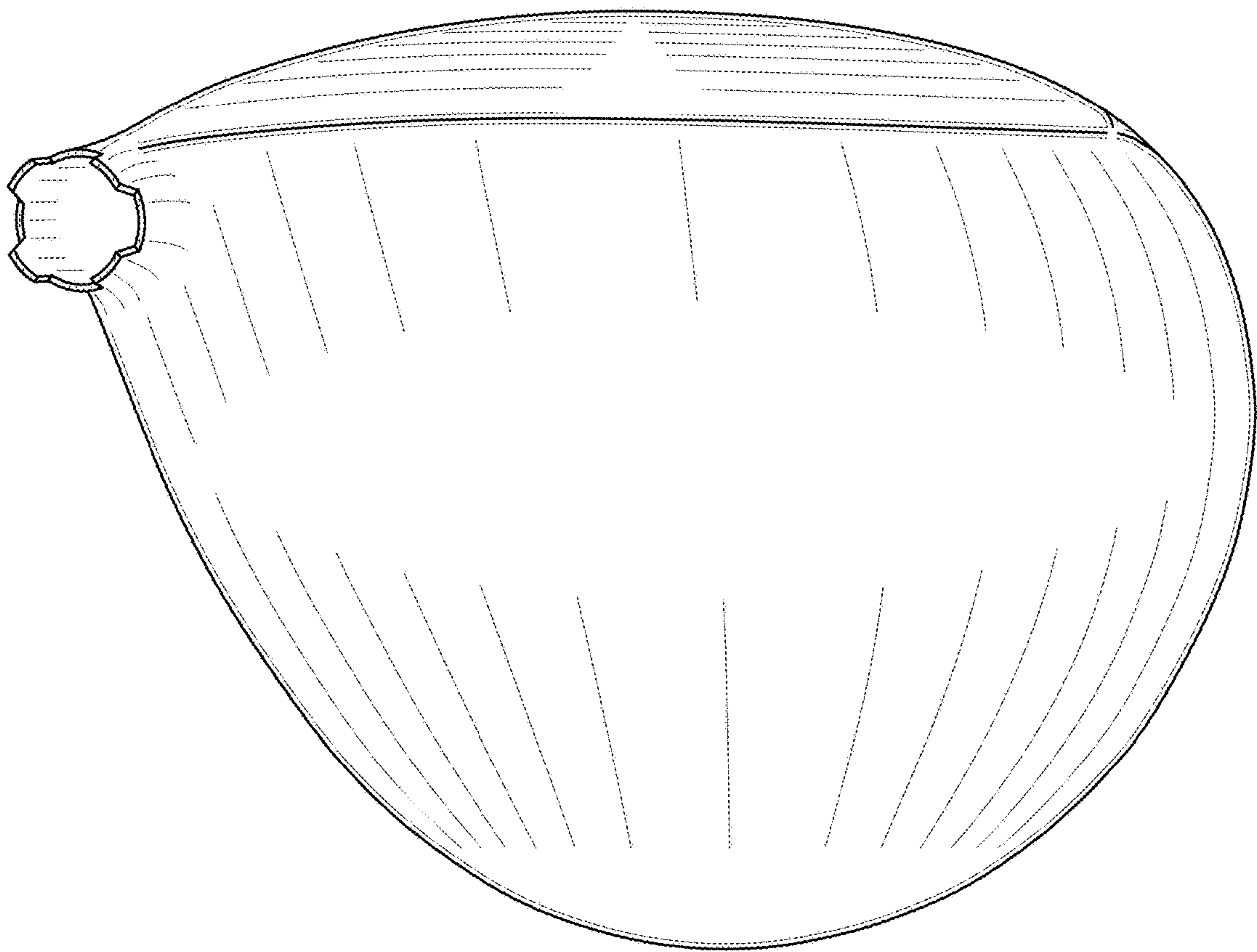


FIG. 4

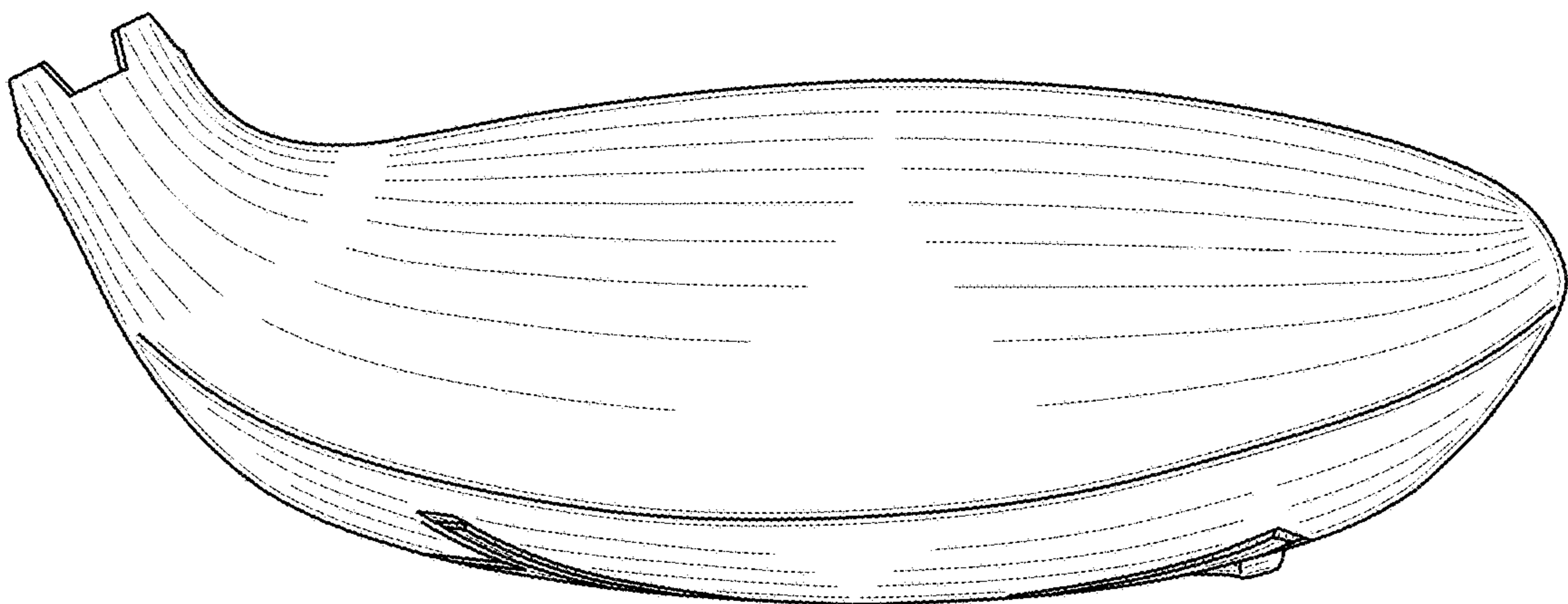


FIG. 5

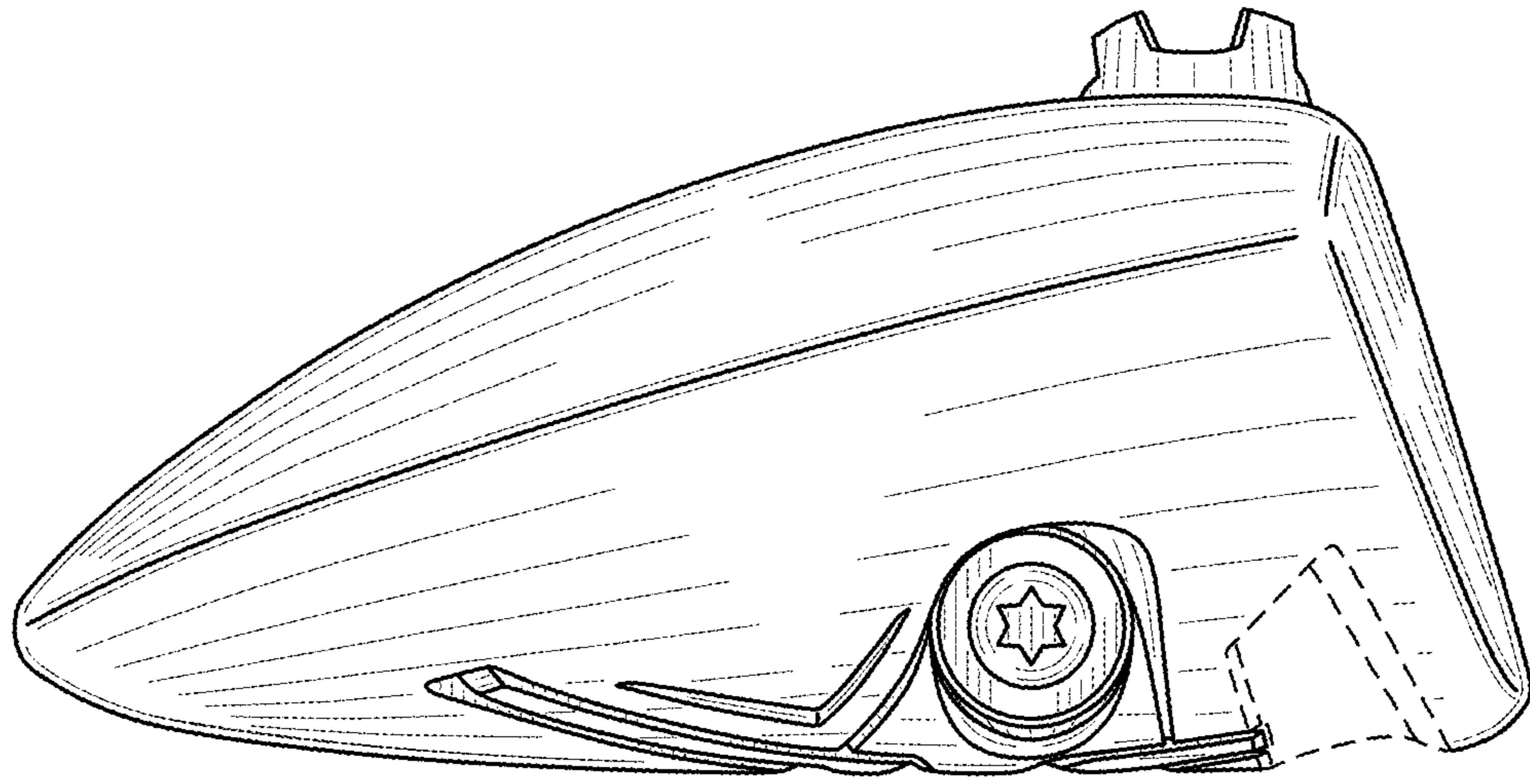


FIG. 6

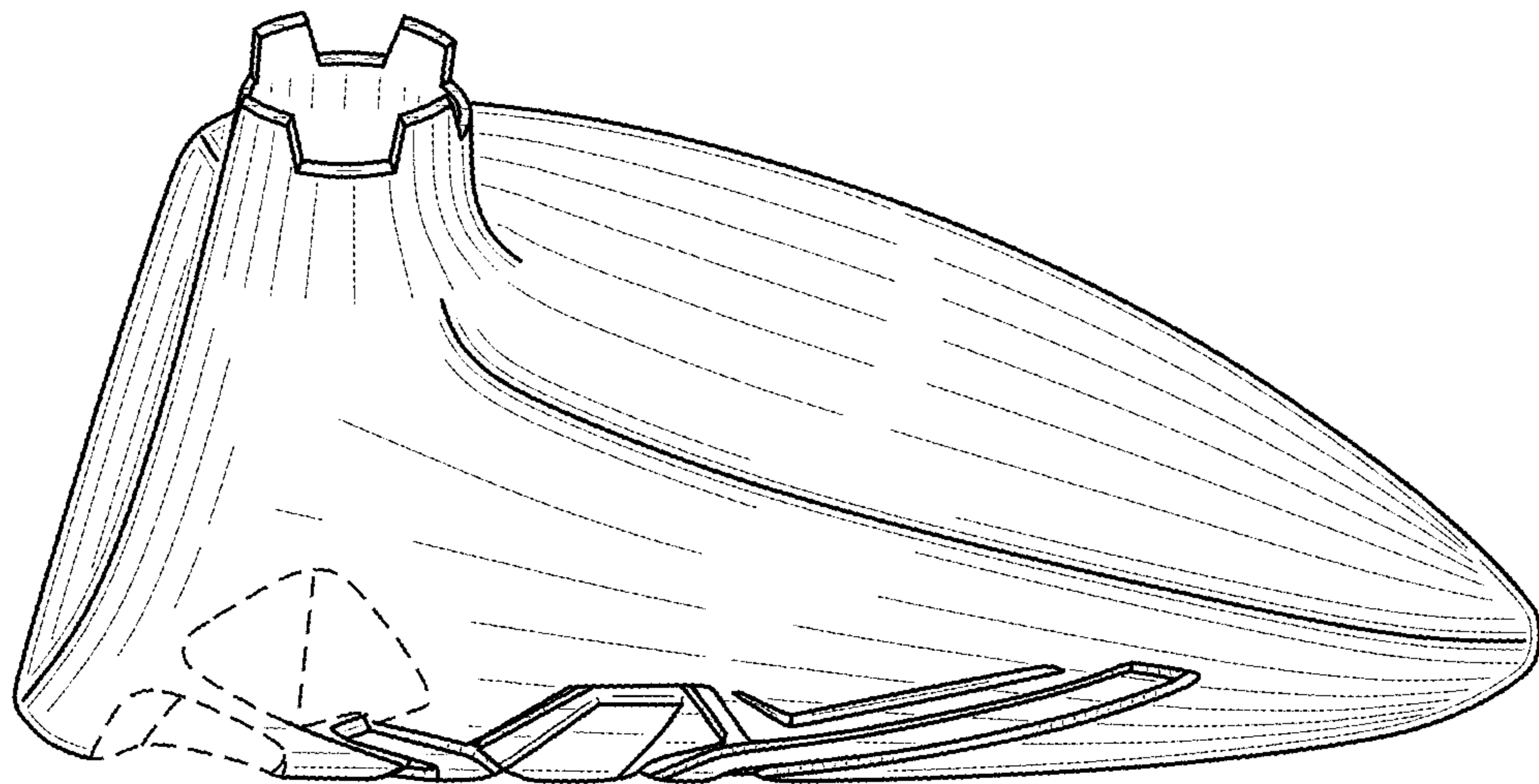


FIG. 7