



US00D783746S

(12) **United States Design Patent**  
**Warren**

(10) **Patent No.:** **US D783,746 S**

(45) **Date of Patent:** **\*\* Apr. 11, 2017**

(54) **GOLF CLUB**

(71) Applicant: **William J Warren**, Frisco, TX (US)

(72) Inventor: **William J Warren**, Frisco, TX (US)

(\*\*) Term: **15 Years**

(21) Appl. No.: **29/552,097**

(22) Filed: **Jan. 28, 2016**

(51) **LOC (10) Cl.** ..... **21-02**

(52) **U.S. Cl.**  
USPC ..... **D21/743**

(58) **Field of Classification Search**  
USPC ..... D21/736-746, 759  
CPC ..... A63B 53/00; A63B 53/04; A63B 53/007;  
A63B 53/065; A63B 53/0487  
See application file for complete search history.

(56) **References Cited**

**U.S. PATENT DOCUMENTS**

D231,375 S *	4/1974	Solheim .....	D21/742
5,275,412 A *	1/1994	Innes .....	A63B 69/3685
			473/253
D350,582 S *	9/1994	Miansian .....	D21/742
D360,669 S *	7/1995	Buscemi .....	D21/743
D375,988 S *	11/1996	Phillips .....	D21/743
D389,208 S *	1/1998	Phillips .....	D21/739
D405,836 S *	2/1999	Nicolette .....	D21/736
D408,064 S *	4/1999	Slucker .....	D21/736

D427,262 S *	6/2000	Frazetta .....	D21/743
D443,905 S *	6/2001	Nicolette .....	D21/743
D449,865 S *	10/2001	Fife, Jr. ....	D21/736
D472,949 S *	4/2003	Serrano .....	D21/736
D533,242 S *	12/2006	Tang .....	D21/736
D565,138 S *	3/2008	Wilson .....	D21/743
D624,616 S *	9/2010	Rife .....	D21/742
D624,617 S *	9/2010	Rife .....	D21/742
D708,276 S *	7/2014	Myers .....	D21/743
D708,277 S *	7/2014	Myers .....	D21/743
D708,684 S *	7/2014	Myers .....	D21/743
D728,716 S *	5/2015	Pfaff .....	D21/742

\* cited by examiner

*Primary Examiner* — Mitchell Siegel

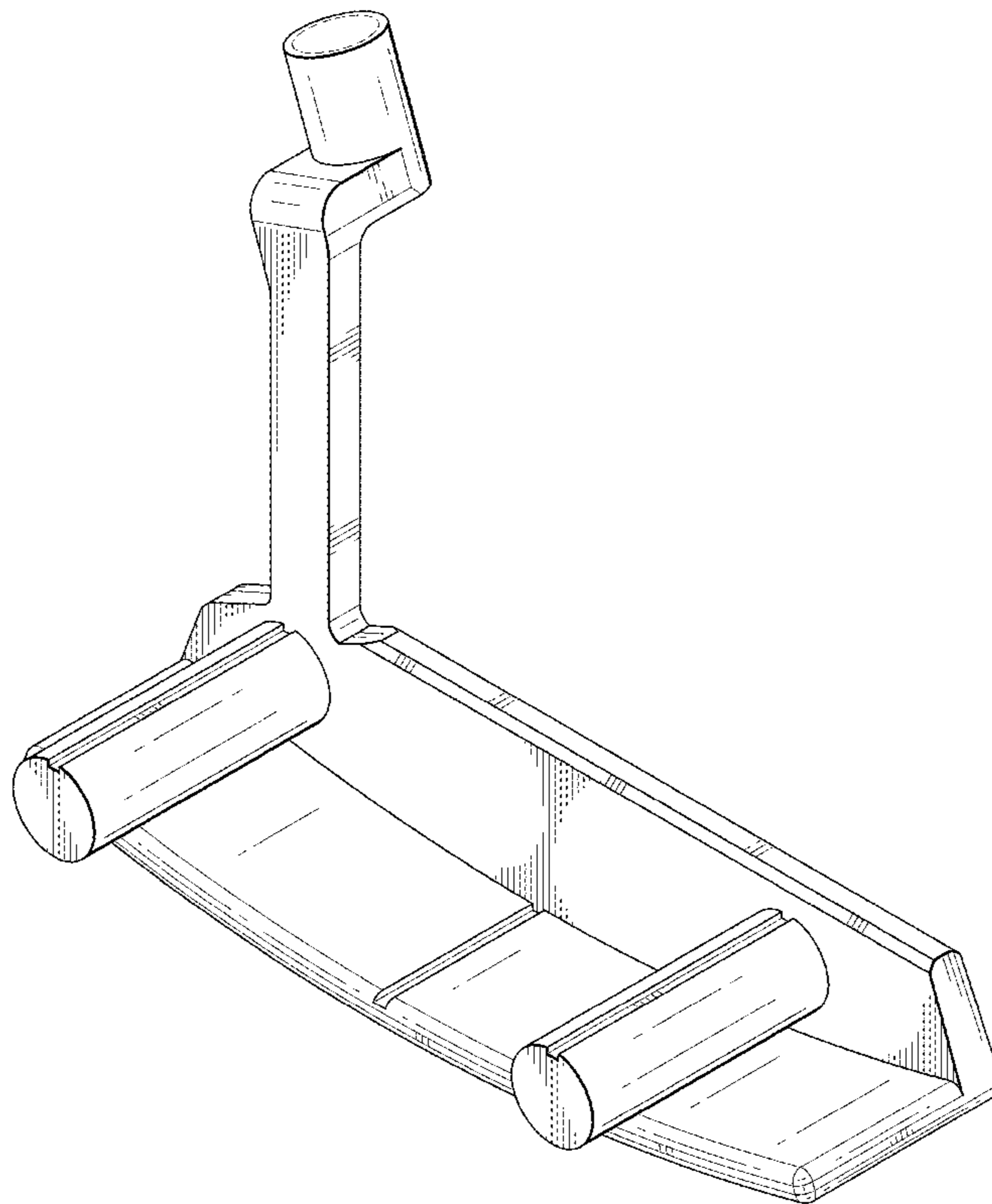
(57) **CLAIM**

The ornamental design for a golf club, as shown.

**DESCRIPTION**

FIG. 1 is a rear perspective view of a golf club showing my new design;  
FIG. 2 is a rear elevational view thereof;  
FIG. 3 is a front elevational view thereof;  
FIG. 4 is a left side elevational view thereof;  
FIG. 5 is a right side elevational view thereof;  
FIG. 6 is a top plan view thereof;  
FIG. 7 is a bottom plan view thereof; and,  
FIG. 8 is front perspective view thereof.  
The broken line showing of is included for the purpose of illustrating and forms no part of the claimed design.

**1 Claim, 7 Drawing Sheets**



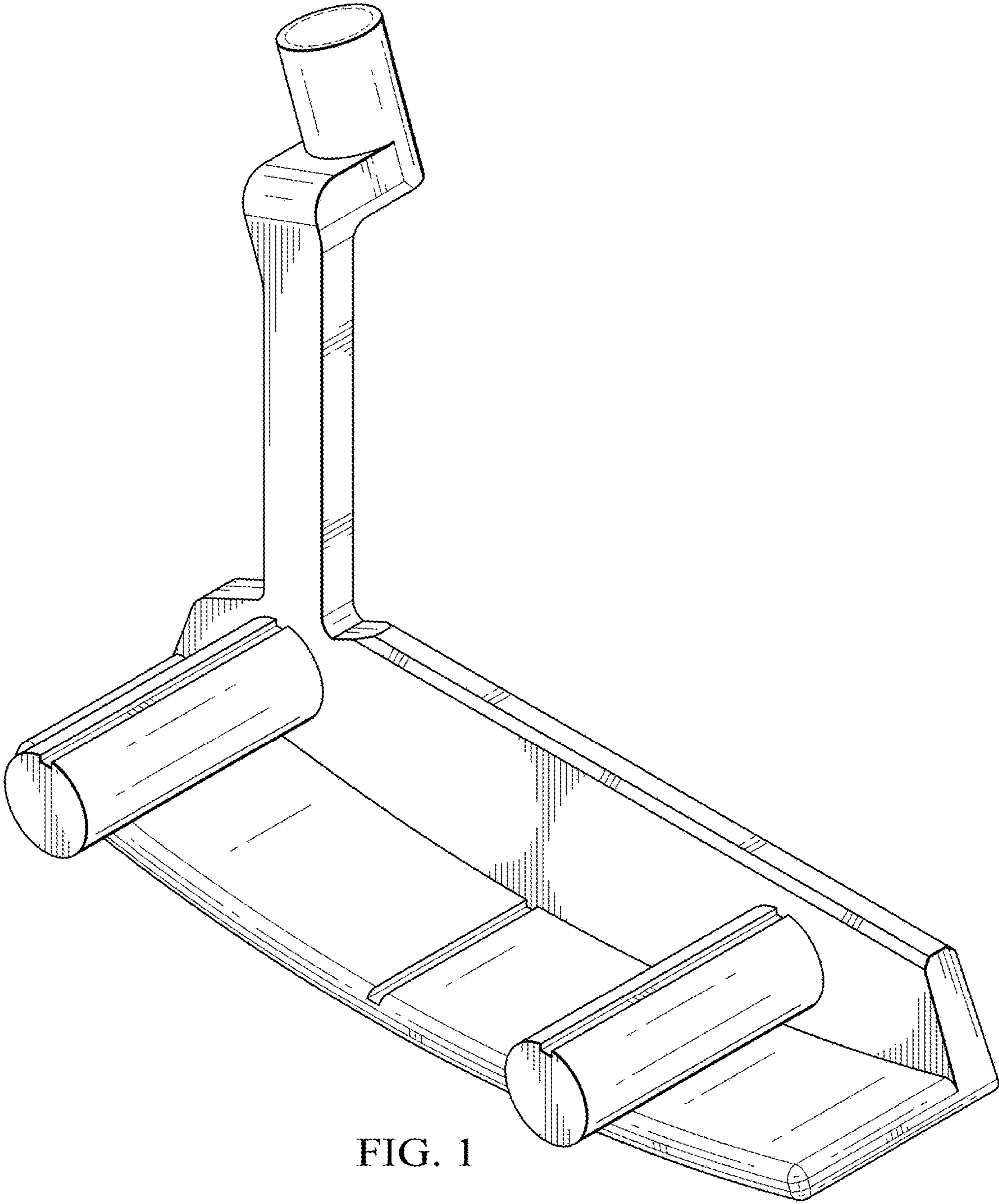


FIG. 1

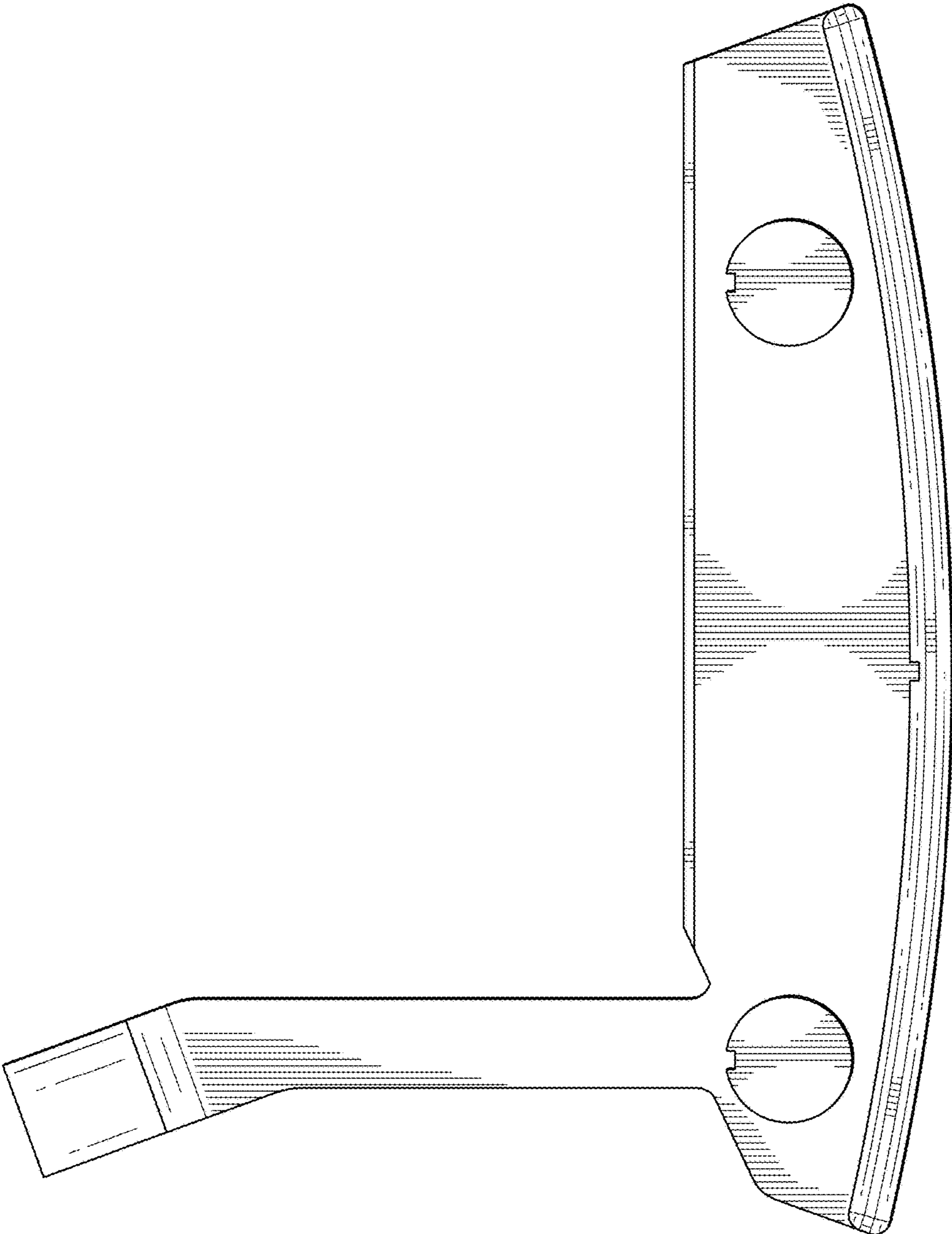


FIG. 2

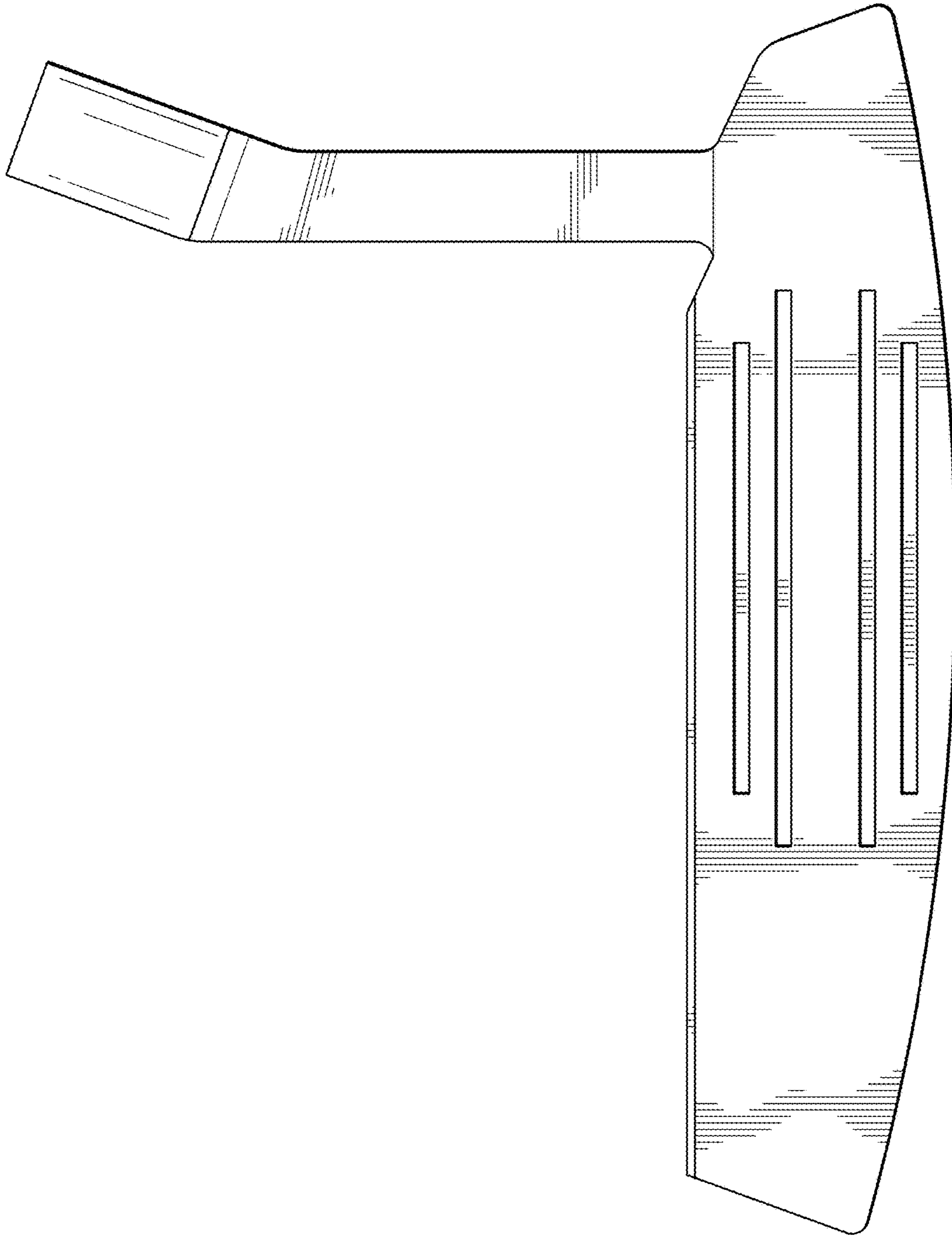


FIG. 3

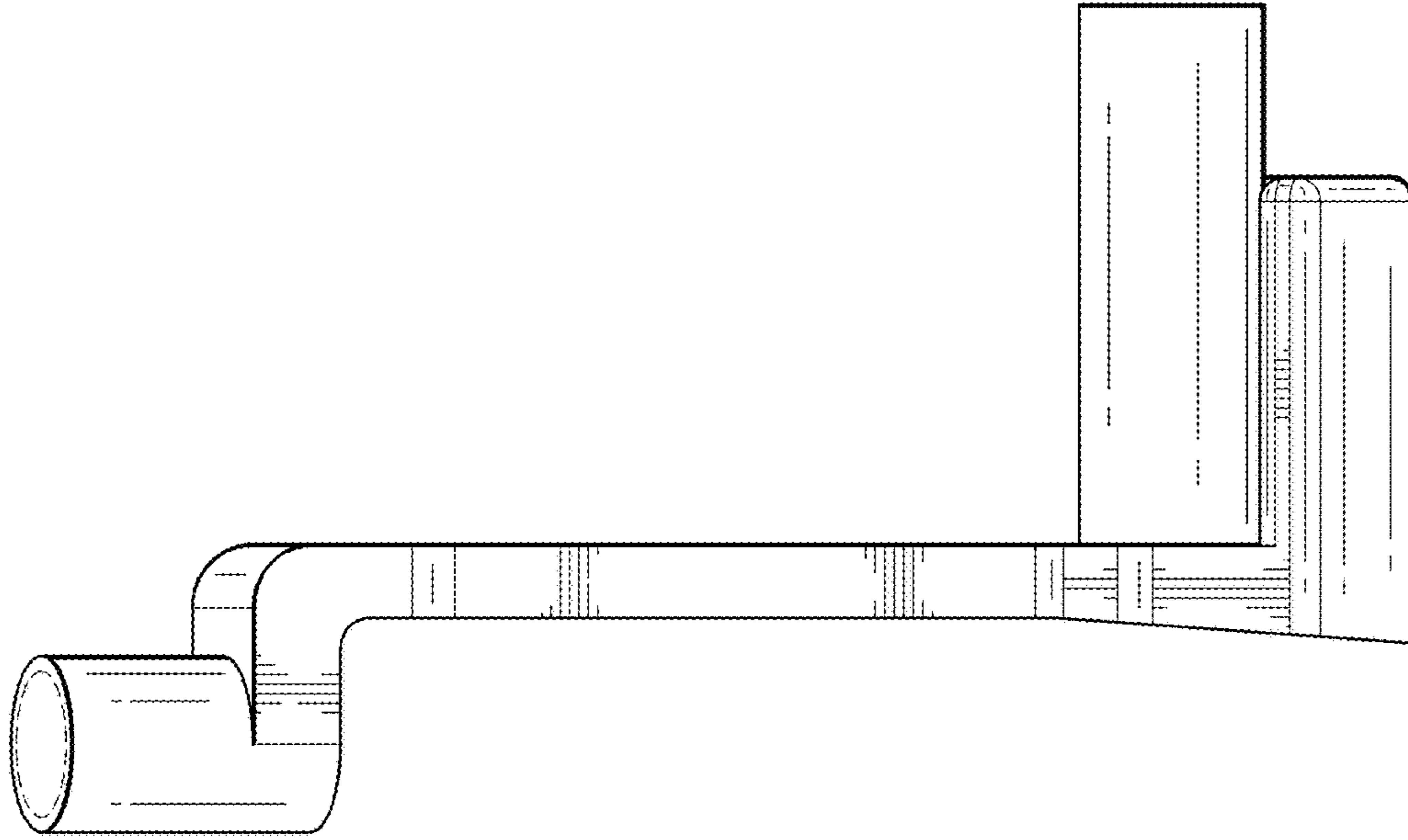


FIG. 5

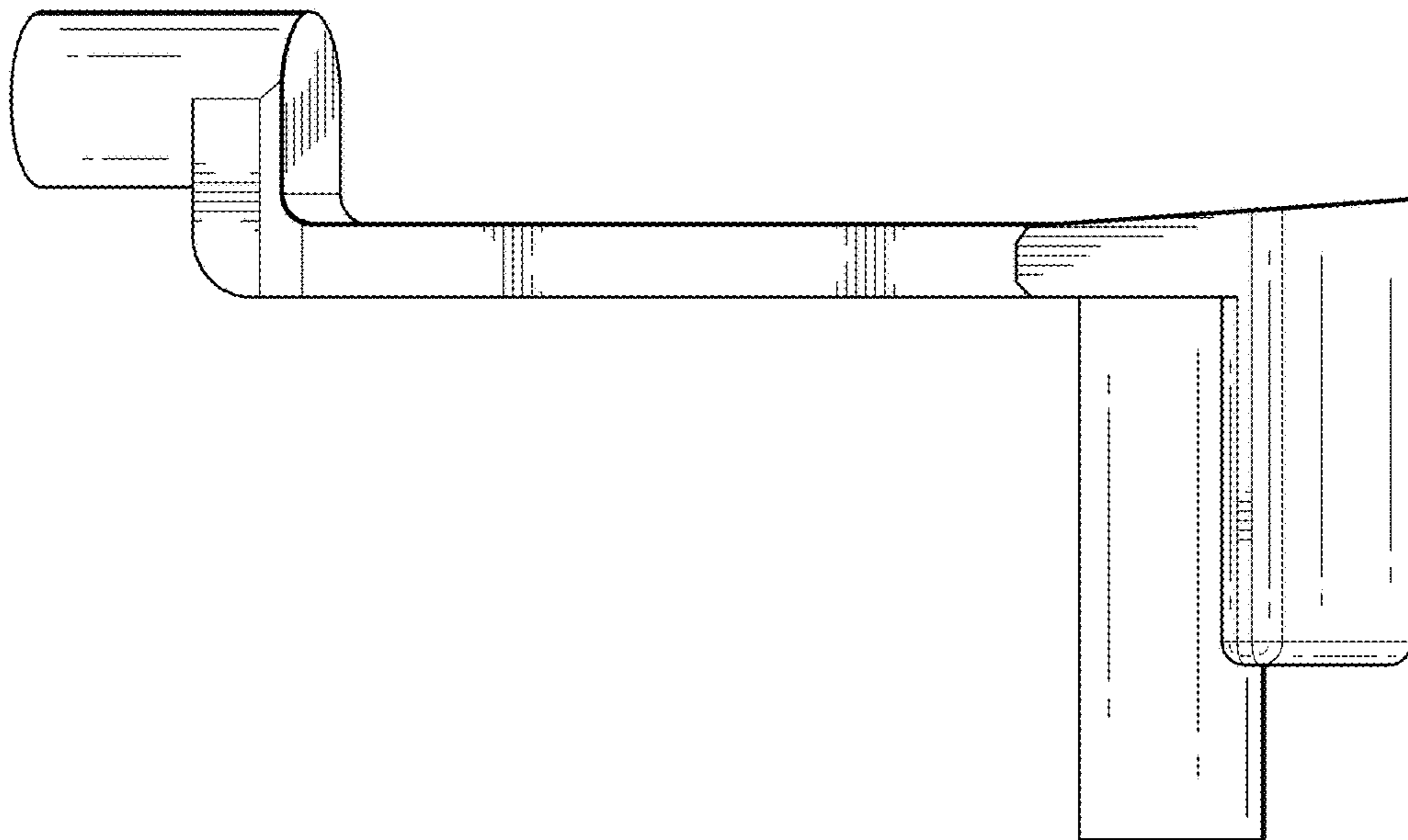


FIG. 4



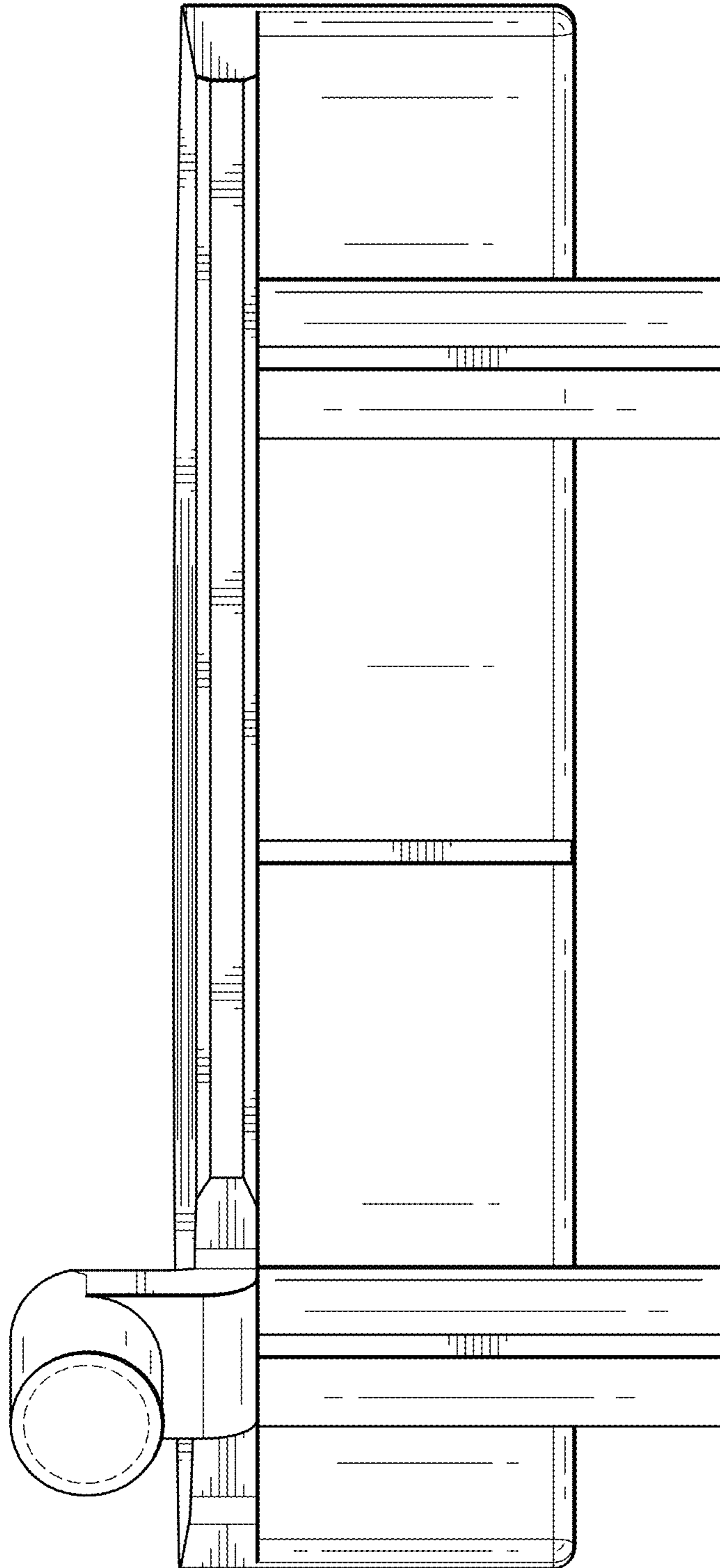
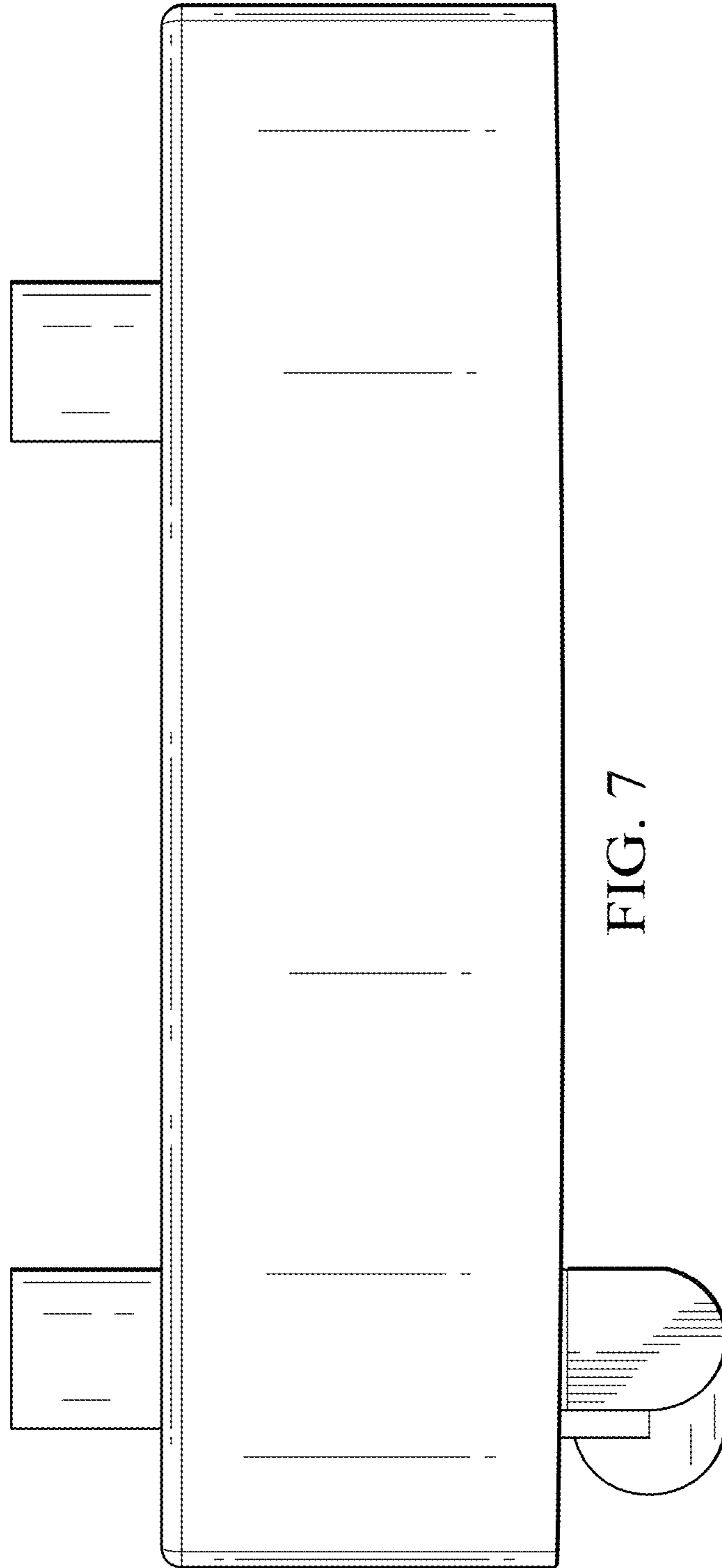


FIG. 6



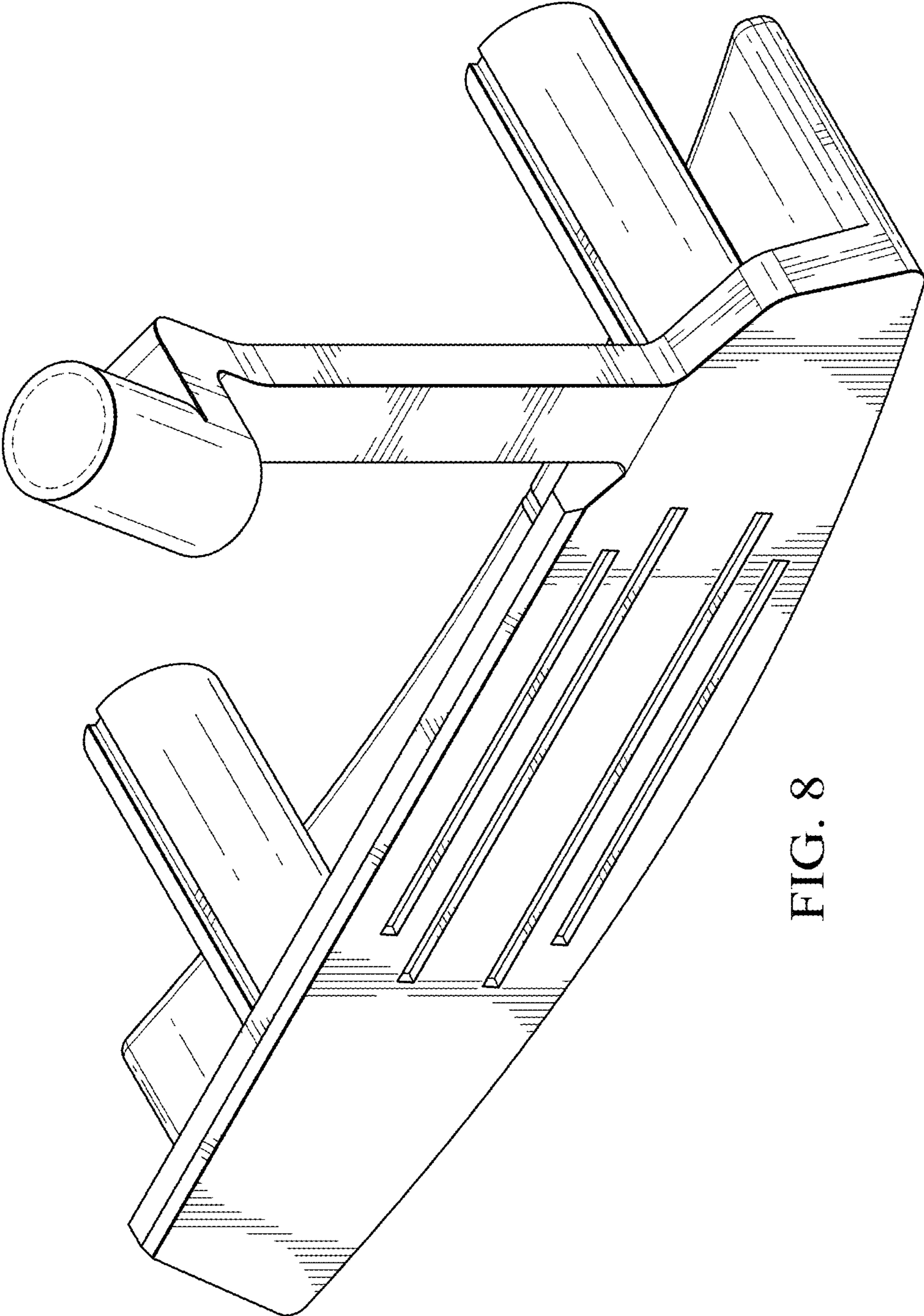


FIG. 8