



US00D783745S

(12) **United States Design Patent**
Chen

(10) **Patent No.:** **US D783,745 S**

(45) **Date of Patent:** **** Apr. 11, 2017**

(54) **GOLF CLUB HEAD**

(71) Applicant: **Karsten Manufacturing Corporation,**
Phoenix, AZ (US)

(72) Inventor: **Xiaojian Chen,** Phoenix, AZ (US)

(73) Assignee: **Karsten Manufacturing Corporation,**
Phoenix, AZ (US)

(**) Term: **15 Years**

(21) Appl. No.: **29/543,614**

(22) Filed: **Oct. 27, 2015**

(51) **LOC (10) Cl.** **21-02**

(52) **U.S. Cl.**
USPC **D21/743**

(58) **Field of Classification Search**
USPC D21/733-746, 759
CPC A63B 53/00; A63B 53/04; A63B 53/007;
A63B 53/065; A63B 53/0487

See application file for complete search history.

(56) **References Cited**

U.S. PATENT DOCUMENTS

3,884,477	A	5/1975	Bianco	
4,030,766	A	6/1977	Derr	
4,123,056	A *	10/1978	Nakamatsu A63B 53/0487 473/234
D316,129	S	4/1991	Bryson	
D375,131	S	10/1996	Williams	
D399,900	S	10/1998	Hogan	
D435,276	S *	12/2000	Mantelli D21/743
6,159,108	A	12/2000	De La Pena	
6,379,259	B1	4/2002	Opie	
D488,526	S	4/2004	Souza	
D496,417	S	9/2004	Tang	

D500,109	S	12/2004	Solheim
D500,110	S	12/2004	Solheim
6,837,801	B1	1/2005	Souza
6,878,071	B1	4/2005	Schwieger
6,893,355	B2	5/2005	Souza
6,902,496	B2	6/2005	Solheim
D507,612	S	7/2005	Souza
6,926,615	B1	8/2005	Souza
6,960,140	B2	11/2005	Solheim

(Continued)

OTHER PUBLICATIONS

Stina Sternberg, "Hot List 2008-Putters," Golf Digest Feb. 2008 at 158-169 also available at: <http://www.golfdigest.com/equipment/ratings>.

Primary Examiner — Mitchell Siegel

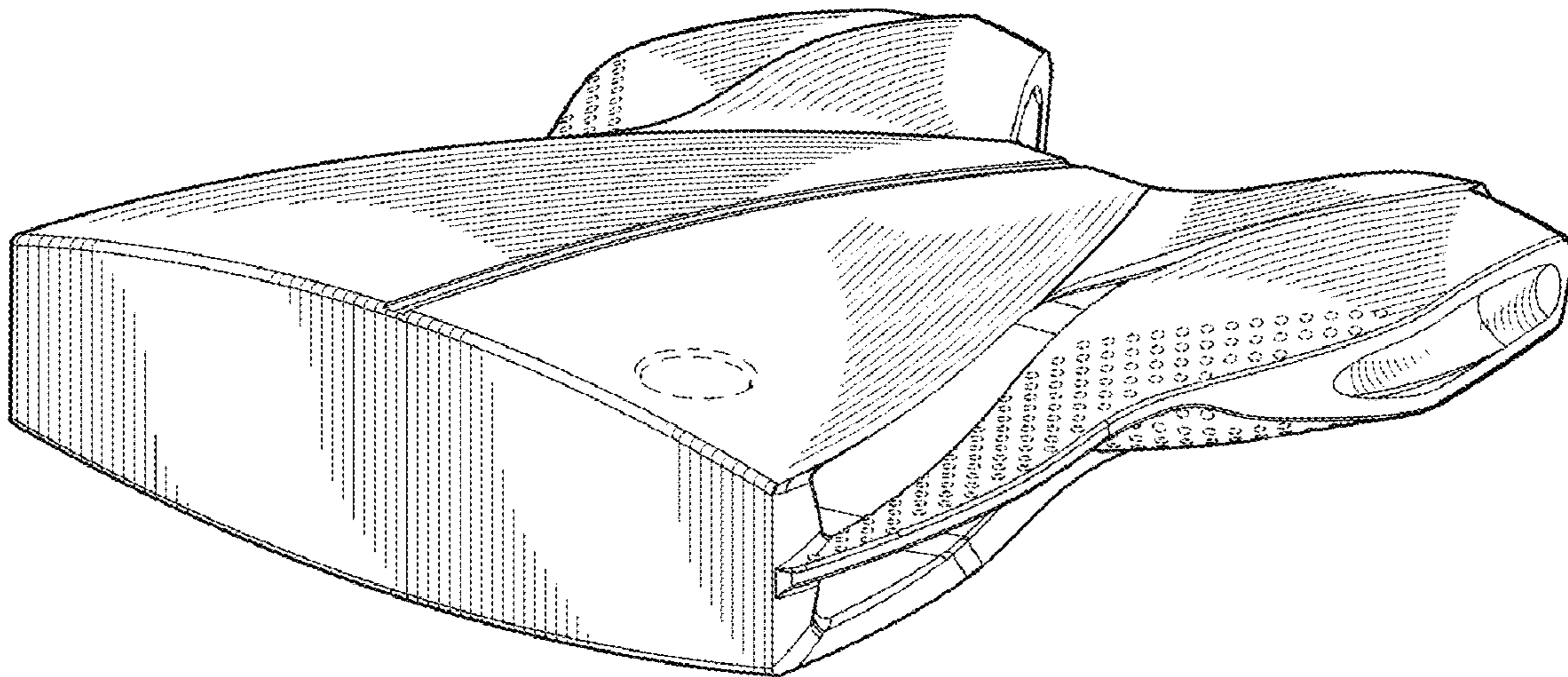
(57) **CLAIM**

The ornamental design for a golf club head, as shown and described.

DESCRIPTION

FIG. 1 is a front perspective view of a golf club head; FIG. 2 is a rear perspective view of the golf club head of FIG. 1; FIG. 3 is a front view of the golf club head of FIG. 1; FIG. 4 is a rear view of the golf club head of FIG. 1; FIG. 5 is a top view of the golf club head of FIG. 1; FIG. 6 is a bottom view of the golf club head of FIG. 1; FIG. 7 is a left view of the golf club head of FIG. 1; and, FIG. 8 is a right view of the golf club head of FIG. 1. The broken lines shown in one or more of the figures are for illustrative purposes only and form no part of the claimed design.

1 Claim, 5 Drawing Sheets



(56)

References Cited

U.S. PATENT DOCUMENTS

6,966,845 B2	11/2005	Solheim			
D520,584 S	5/2006	Karlsen			
D521,582 S	5/2006	Souza			
7,052,411 B2	5/2006	Solheim			
D522,598 S	6/2006	Solheim			
7,077,758 B2	7/2006	Rohrer			
7,086,957 B2	8/2006	Solheim			
D527,777 S	9/2006	Solheim			
D529,108 S	9/2006	Stites			
D533,243 S	12/2006	Fife			
7,235,021 B2	6/2007	Solheim			
D548,295 S	8/2007	Jertson			
7,255,650 B2	8/2007	Bryant			
D552,197 S	10/2007	Wells			
D565,137 S	3/2008	Oldknow			
D569,460 S *	5/2008	Walker	D21/743		
D571,879 S	6/2008	Jones et al.			
D574,907 S	8/2008	Jones et al.			
D581,473 S	11/2008	Thomas			
D583,003 S	12/2008	Solheim			
D587,325 S	2/2009	Solheim			
D594,073 S	6/2009	Kadoya			
D595,370 S *	6/2009	Ines	D21/736		
D600,295 S *	9/2009	Meeks	D21/744		
D600,760 S	9/2009	Serrano			
D600,761 S	9/2009	Solheim			
D600,762 S	9/2009	Serrano			
D606,139 S *	12/2009	Ines	D21/736		
D607,950 S	1/2010	Souza			
D621,458 S	8/2010	Serrano			
D621,460 S	8/2010	Serrano			
D621,461 S	8/2010	Serrano			
D621,462 S	8/2010	Serrano			
D621,891 S	8/2010	Serrano			
7,803,066 B2	9/2010	Solheim			
D638,891 S *	5/2011	Nicolette	D21/736		
D643,080 S	8/2011	Serrano			
D643,485 S *	8/2011	Nicolette	D21/736		
D643,486 S	8/2011	Serrano			
D643,487 S	8/2011	Serrano			
8,066,581 B2 *	11/2011	Ines	A63B 53/0487 473/251		
8,100,779 B2	1/2012	Solheim			
D653,718 S *	2/2012	Stokke	D21/743		
8,109,838 B2	2/2012	Solheim			
D664,617 S	7/2012	Serrano			
D715,388 S *	10/2014	Serrano	D21/743		
2005/0170904 A1	8/2005	Smeeth			
2006/0094533 A1	5/2006	Warren			
2006/0166755 A1	7/2006	Brown			
2007/0191135 A1	8/2007	Nilsson			
2010/0227704 A1	9/2010	Souza			

* cited by examiner

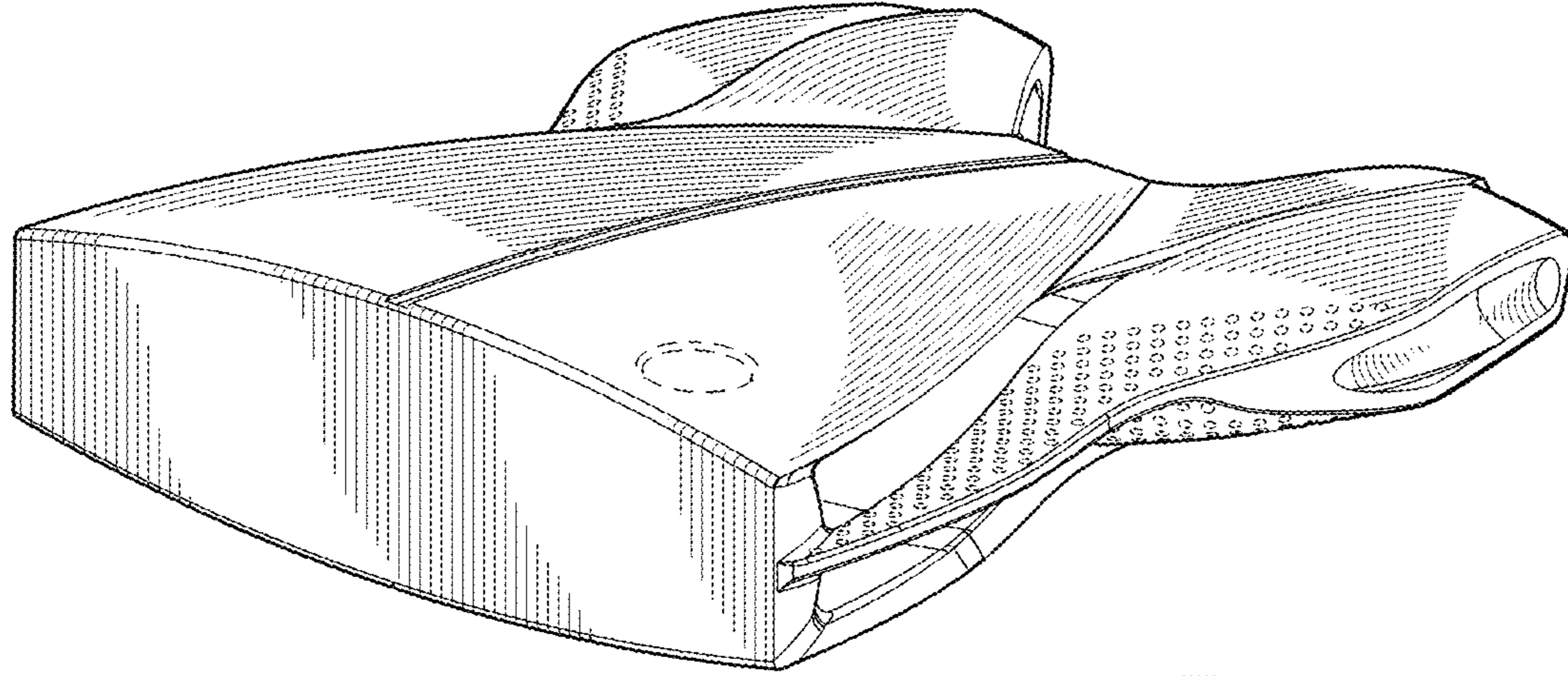


Fig. 1

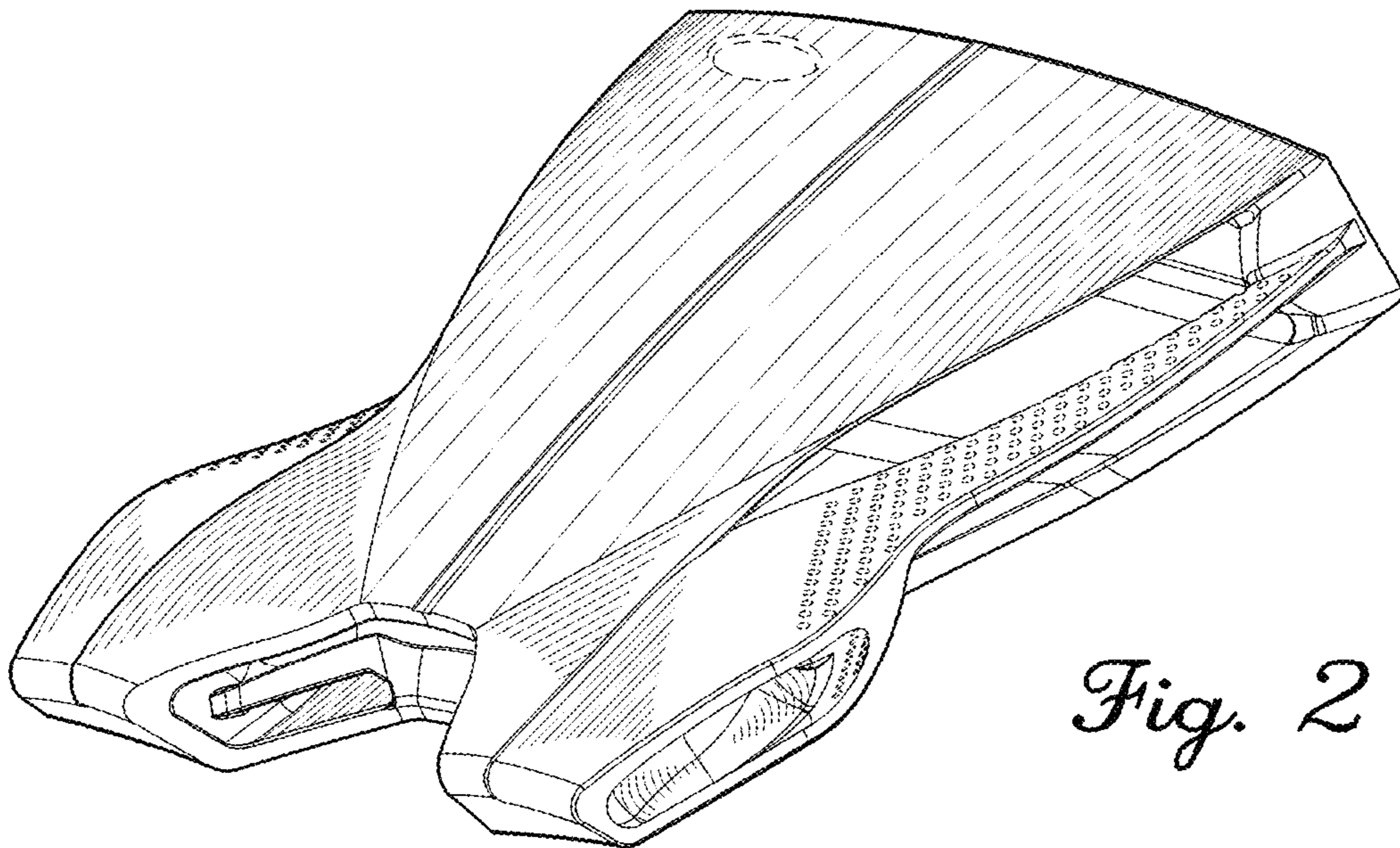


Fig. 2

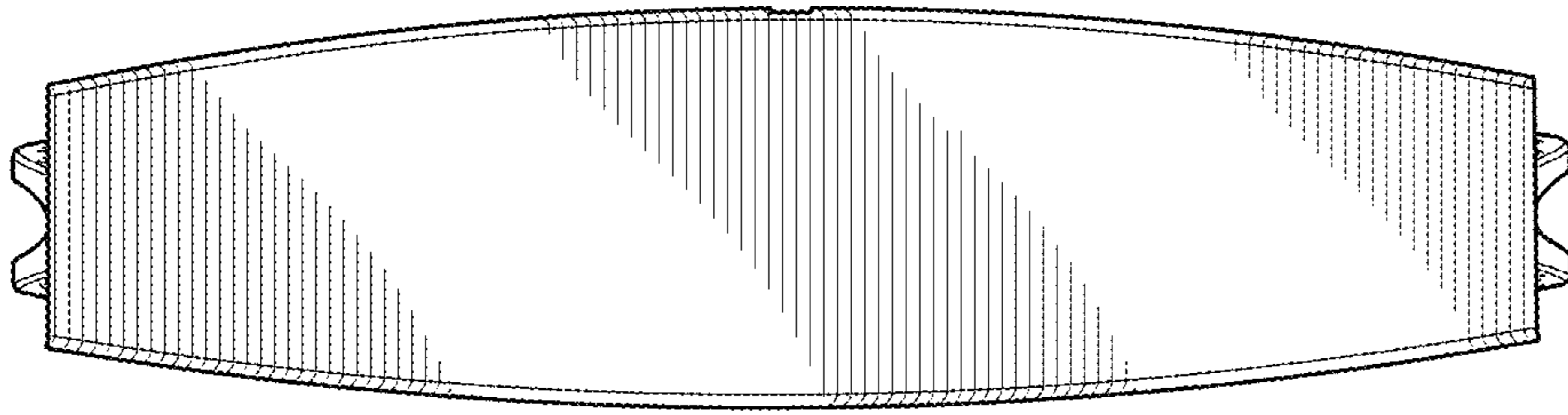


Fig. 3

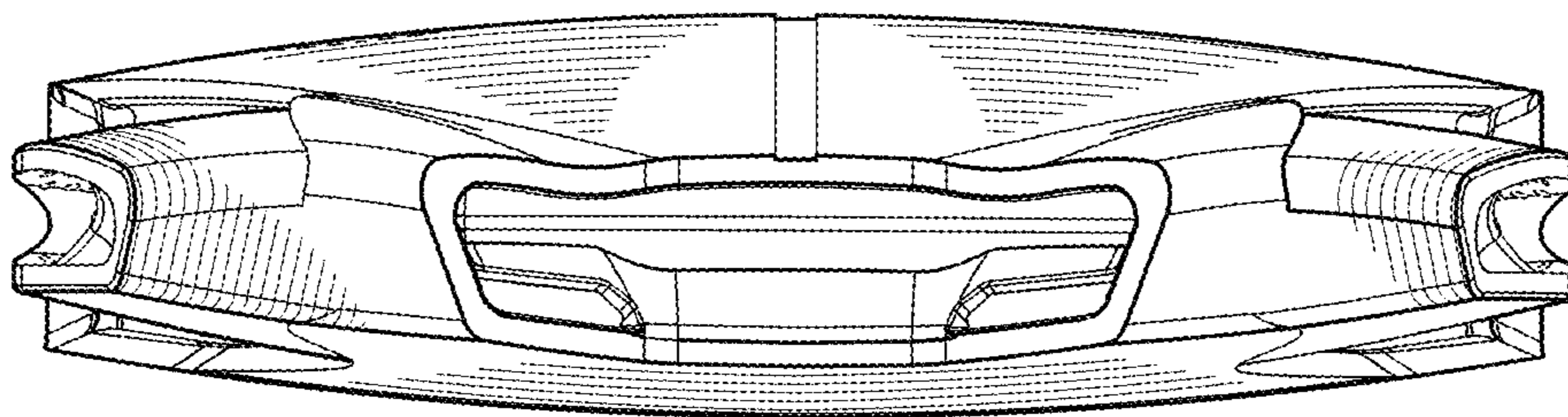


Fig. 4

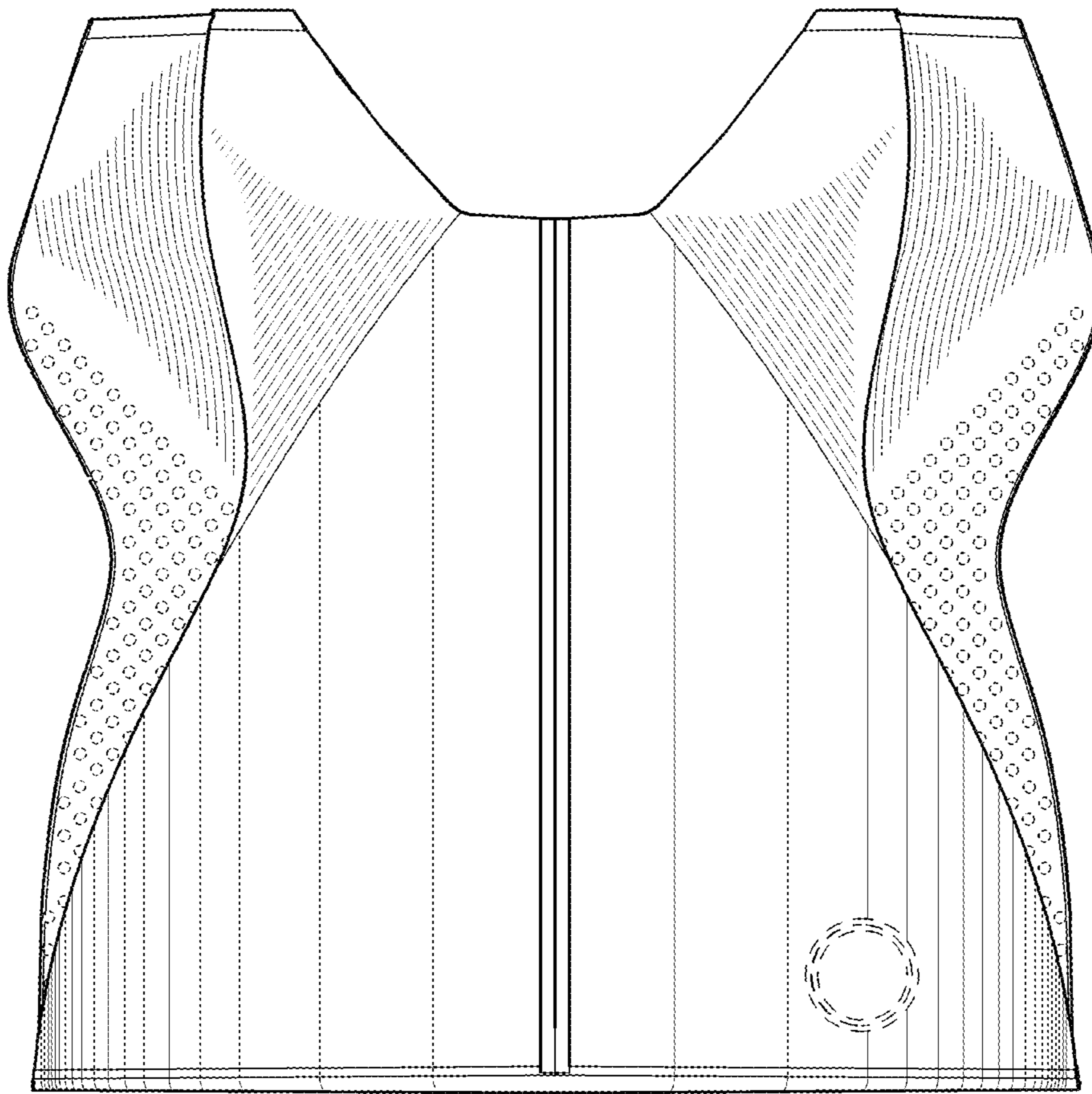


Fig. 5

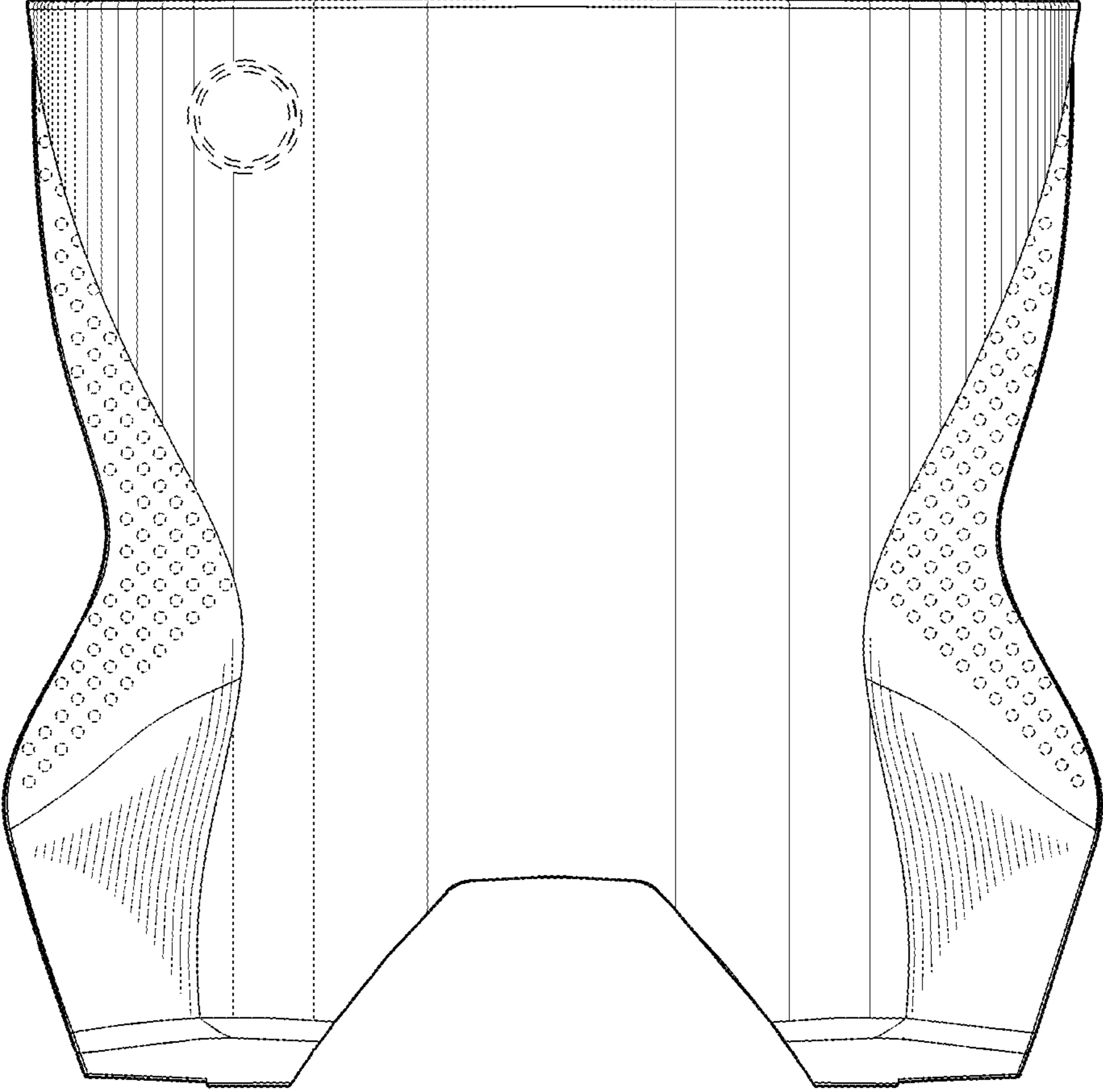


Fig. 6

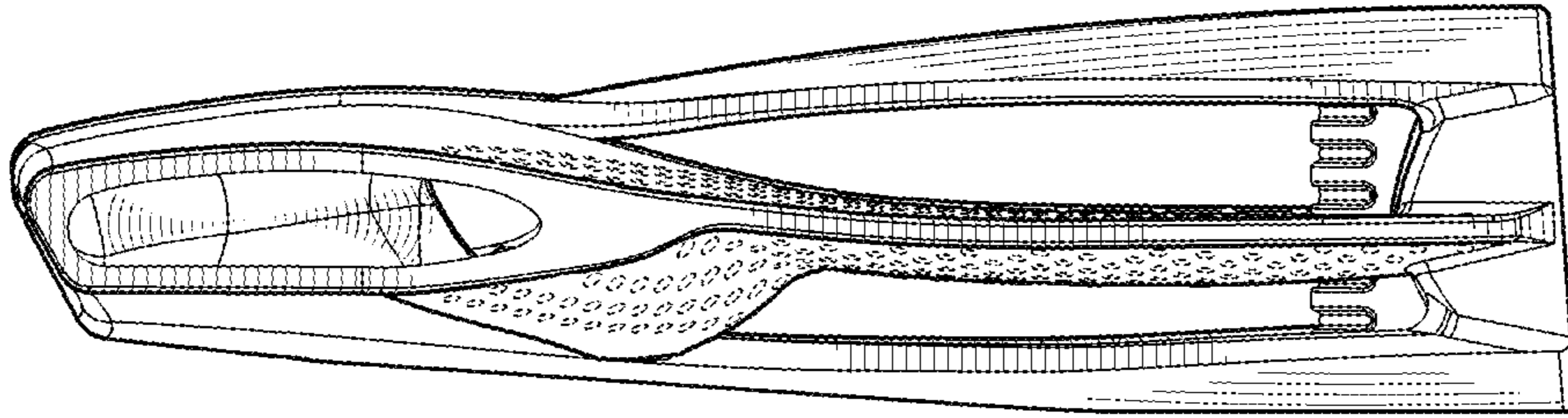


Fig. 7

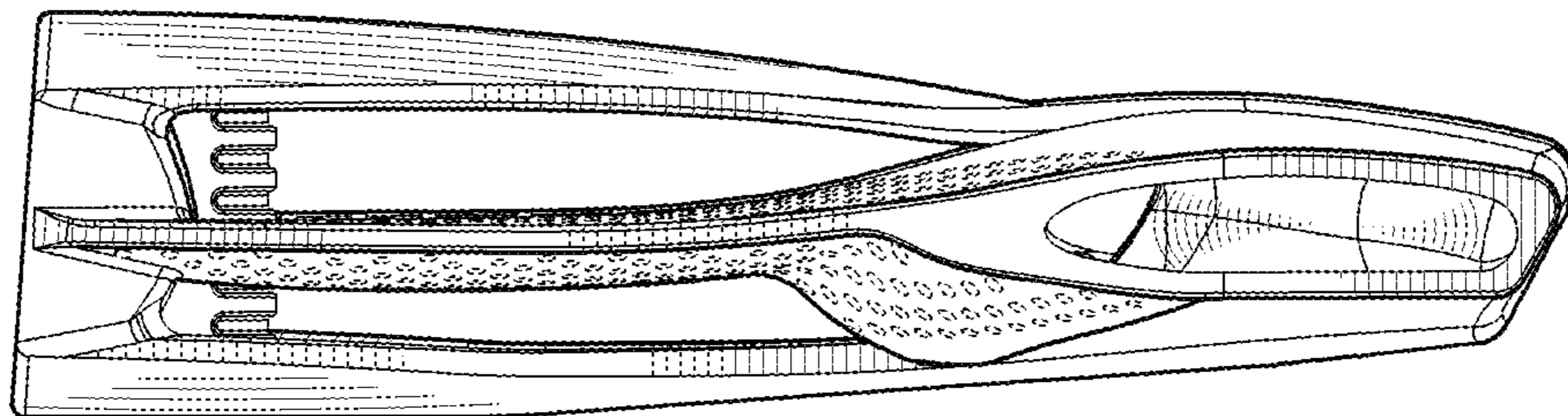


Fig. 8