



US00D783742S

(12) **United States Design Patent**
Adema

(10) **Patent No.:** **US D783,742 S**

(45) **Date of Patent:** **** Apr. 11, 2017**

(54) **ANCHORING DEVICE**

(71) Applicant: **Wayne P. Adema**, Sheboygan, WI (US)

(72) Inventor: **Wayne P. Adema**, Sheboygan, WI (US)

(73) Assignee: **ProControl Inc.**, Sheboygan, WI (US)

(**) Term: **14 Years**

(21) Appl. No.: **29/517,092**

(22) Filed: **Feb. 10, 2015**

Related U.S. Application Data

(63) Continuation of application No. 13/587,715, filed on Aug. 16, 2012, now Pat. No. 9,272,197.

(51) **LOC (10) Cl.** **21-02**

(52) **U.S. Cl.**
USPC **D21/699**; D8/388

(58) **Field of Classification Search**
USPC D21/698-705, 718, 790, 793, 794, 796,
D21/834-840; D8/1, 16, 349, 354, 355,
(Continued)

(56) **References Cited**

U.S. PATENT DOCUMENTS

1,083,582 A * 1/1914 Bates E04H 12/2215
52/165
1,773,760 A * 8/1930 Steinbreder E04H 15/62
135/118

(Continued)

FOREIGN PATENT DOCUMENTS

WO 0124891 4/2001
WO 2008/102210 8/2008

Primary Examiner — Catherine Tuttle

(74) *Attorney, Agent, or Firm* — Boyle Fredrickson, S.C.

(57) **CLAIM**

I claim the ornamental design for an anchoring device, as shown and described.

DESCRIPTION

FIG. 1 is a side and front side perspective view of the anchoring device showing my new design;

FIG. 2 is a front, side and upper end perspective view thereof;

FIG. 3 is a side and front perspective view similar to FIG. 1 but angled slightly further toward the side;

FIG. 4 is another side and front perspective view thereof, angled more toward the side than in the preceding views;

FIG. 5 is a side and rear perspective view thereof;

FIG. 6 is another side and rear perspective view thereof, angled more toward the side than in FIG. 5;

FIG. 7 is another front and side perspective view, angled more toward the side than in the preceding figures;

FIG. 8 is a front elevational view thereof;

FIG. 9 is a side elevational view thereof;

FIG. 10 is a rear elevational view thereof;

FIG. 11 is an elevational view of the lower end as oriented in FIG. 1;

FIG. 12 is an elevational view of the upper end as oriented in FIG. 1;

FIG. 13 is a side and front perspective view similar to FIG. 3 but showing the design in accordance with environmental structure;

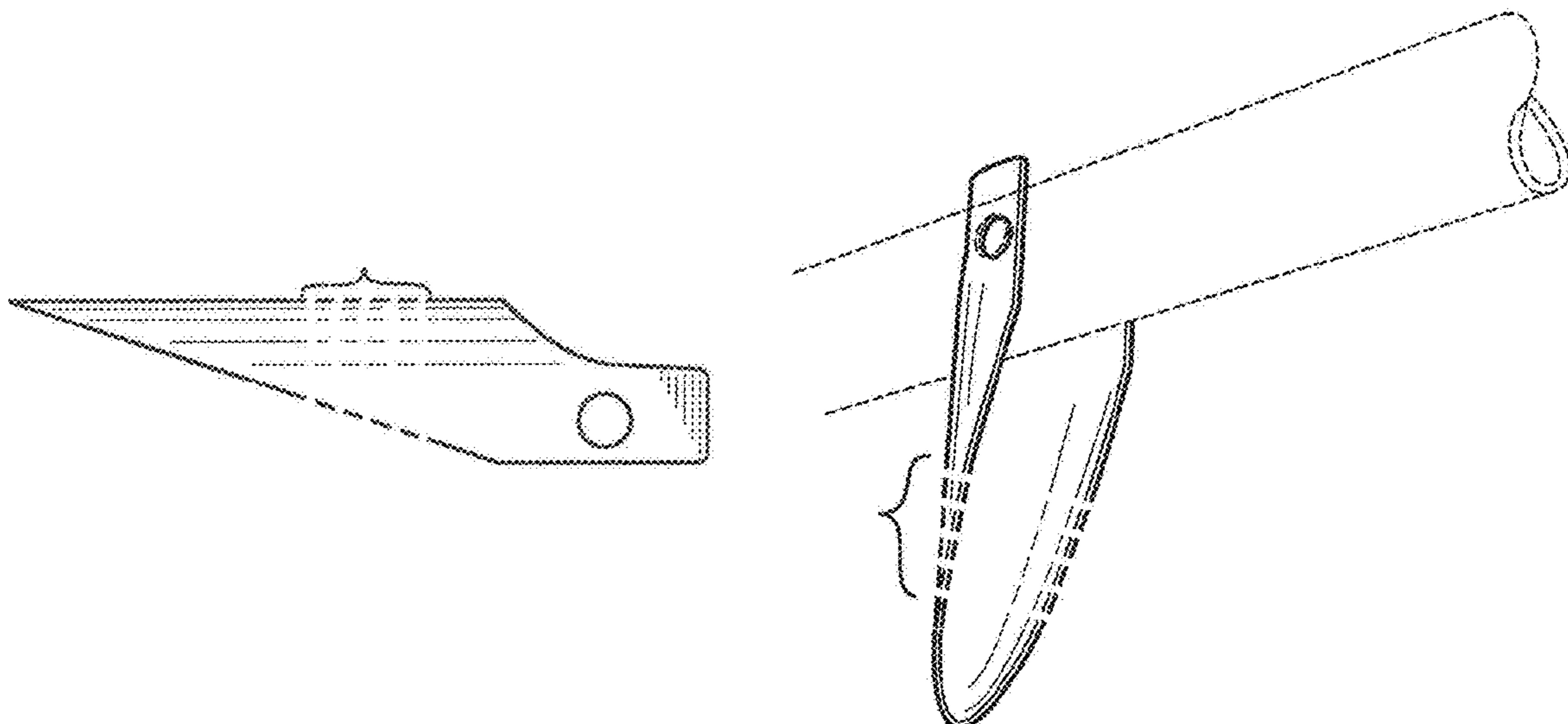
FIG. 14 is a side and rear perspective view similar to FIG. 5 but showing the design in association with additional environmental structure; and,

FIG. 15 is a side and front perspective view similar to FIG. 7 and showing the design in association with environmental structure.

The broken lines are included for the purpose of illustrating the portions of the anchoring device and associated structures that form no part of the claimed design.

The anchoring system of the claimed design is a trademark of PROCONTROL SOCCER INC®.

1 Claim, 7 Drawing Sheets



(58) **Field of Classification Search**

USPC D8/366, 371, 373, 380, 388, 391,
D8/394-396, 400, 402, 499
CPC .. E02D 5/74; E02D 5/80; E02D 5/801; E02D
5/803; E04H 12/2215; E04H 12/2223;
E04H 12/223; E04H 12/2253; E04H
12/2269; E04H 12/2276; E04H 12/2284;
E04H 15/62; E04H 17/22; A63B 61/00;
A63B 61/003; A63B 61/02; A63B 61/04;
A63B 63/00; A63B 63/004; A63B
71/0036; A63B 71/02; A63B 71/021;
A63B 71/023; A63B 71/024

See application file for complete search history.

D590,030 S 4/2009 Manderbacka
7,578,757 B1 8/2009 McNary
7,909,330 B2 3/2011 Domjen
8,079,923 B2 12/2011 Siefker
D652,462 S 1/2012 Sun
8,113,968 B2 2/2012 Fittler
8,480,517 B2 7/2013 Guttler
D689,570 S 9/2013 Adema
D695,908 S 12/2013 Adema
8,647,221 B1 2/2014 Hochberg
D702,365 S 4/2014 Adema
D704,285 S 5/2014 Zucca et al.
D712,494 S 9/2014 Adema
D732,624 S * 6/2015 Esarey D21/840
2001/0034274 A1 10/2001 Tulipani et al.
2001/0039769 A1* 11/2001 Orr E04H 15/62

52/155

(56)

References Cited

U.S. PATENT DOCUMENTS

2,211,283 A * 8/1940 Mercer E04H 12/2223
135/15.1
D173,434 S * 11/1954 Horowitz D25/68
3,012,644 A * 12/1961 Bush E02D 5/803
405/244
3,480,023 A * 11/1969 McConnell E04H 15/62
135/118
3,824,748 A * 7/1974 Pichowicz G01C 15/06
52/103
D239,304 S * 3/1976 Jackson D21/793
4,258,924 A 3/1981 Ketchum
4,284,277 A 8/1981 Leonard et al.
4,588,190 A 5/1986 Stewart et al.
4,650,189 A 3/1987 Rajacich
4,663,902 A * 5/1987 Abbott, Jr. E04H 12/223
52/153
5,000,461 A 3/1991 Borazjani
5,181,725 A 1/1993 Leras et al.
5,290,043 A 3/1994 Vidinic
5,524,900 A 6/1996 Allen
5,556,104 A 9/1996 Guillen, Jr.
5,746,669 A 5/1998 Sinsheimer et al.
5,863,266 A 1/1999 Starnes
5,961,403 A 10/1999 Caruso
6,068,488 A 5/2000 Sinsheimer et al.
D437,210 S * 2/2001 Borotto D8/396
6,200,234 B1 3/2001 Hannon
6,209,877 B1 4/2001 Warnick
6,264,572 B1 7/2001 Matheson et al.
6,312,348 B1 11/2001 Sandell
6,422,956 B1 7/2002 Kusmiss
6,607,455 B1 8/2003 Petras
6,846,253 B1 1/2005 Szwalek
6,935,971 B2 8/2005 Piras et al.
6,966,852 B2 11/2005 Yoon
7,001,288 B2 2/2006 Harrell
7,249,767 B1 7/2007 Gorton
D548,051 S * 8/2007 Ruppert D8/354
7,462,114 B2 12/2008 Moller, Jr.
7,468,009 B1 12/2008 Ball

2002/0022540 A1 2/2002 Slomski et al.
2003/0013561 A1 1/2003 Sompolinsky
2003/0056907 A1 3/2003 Caveney et al.
2004/0023735 A1 2/2004 Janton
2004/0038189 A1 2/2004 Wilgenburg et al.
2004/0132558 A1 7/2004 Rothman
2004/0176193 A1 9/2004 Valliquette
2004/0235589 A1 11/2004 Wedgbury
2004/0242349 A1 12/2004 Harrell
2004/0266563 A1 12/2004 Young
2005/0012125 A1 1/2005 Summerfelt et al.
2005/0150184 A1* 7/2005 Lagercrantz E02D 5/803
52/698
2005/0192125 A1 9/2005 Valliquette
2006/0011147 A1* 1/2006 Krieger A01K 1/04
119/788
2006/0068946 A1 3/2006 Harrell et al.
2006/0089213 A1 4/2006 Snyder
2006/0237913 A1 10/2006 Giske et al.
2007/0094951 A1* 5/2007 Busto E02D 5/803
52/155
2007/0167263 A1 7/2007 Elder et al.
2008/0032826 A1 2/2008 Mubarak et al.
2008/0261727 A1 10/2008 Snyder
2009/0069125 A1 3/2009 Porter
2009/0139157 A1 6/2009 Jones
2009/0176603 A1 7/2009 Prince
2009/0197708 A1 8/2009 Fuccillo et al.
2010/0229905 A1* 9/2010 Lin E04H 15/48
135/96
2011/0015002 A1 1/2011 Brown
2012/0329584 A1 12/2012 Pinezich et al.
2013/0023362 A1 1/2013 Siefker
2013/0102421 A1 4/2013 Young et al.
2013/0303312 A1 11/2013 DeBolt et al.
2013/0344996 A1 12/2013 Adema
2013/0344998 A1 12/2013 Adema
2014/0024481 A1 1/2014 Adema
2014/0243119 A1* 8/2014 Whalen A63B 61/02
473/493
2014/0311083 A1* 10/2014 Madril E04H 12/347
52/741.14

* cited by examiner

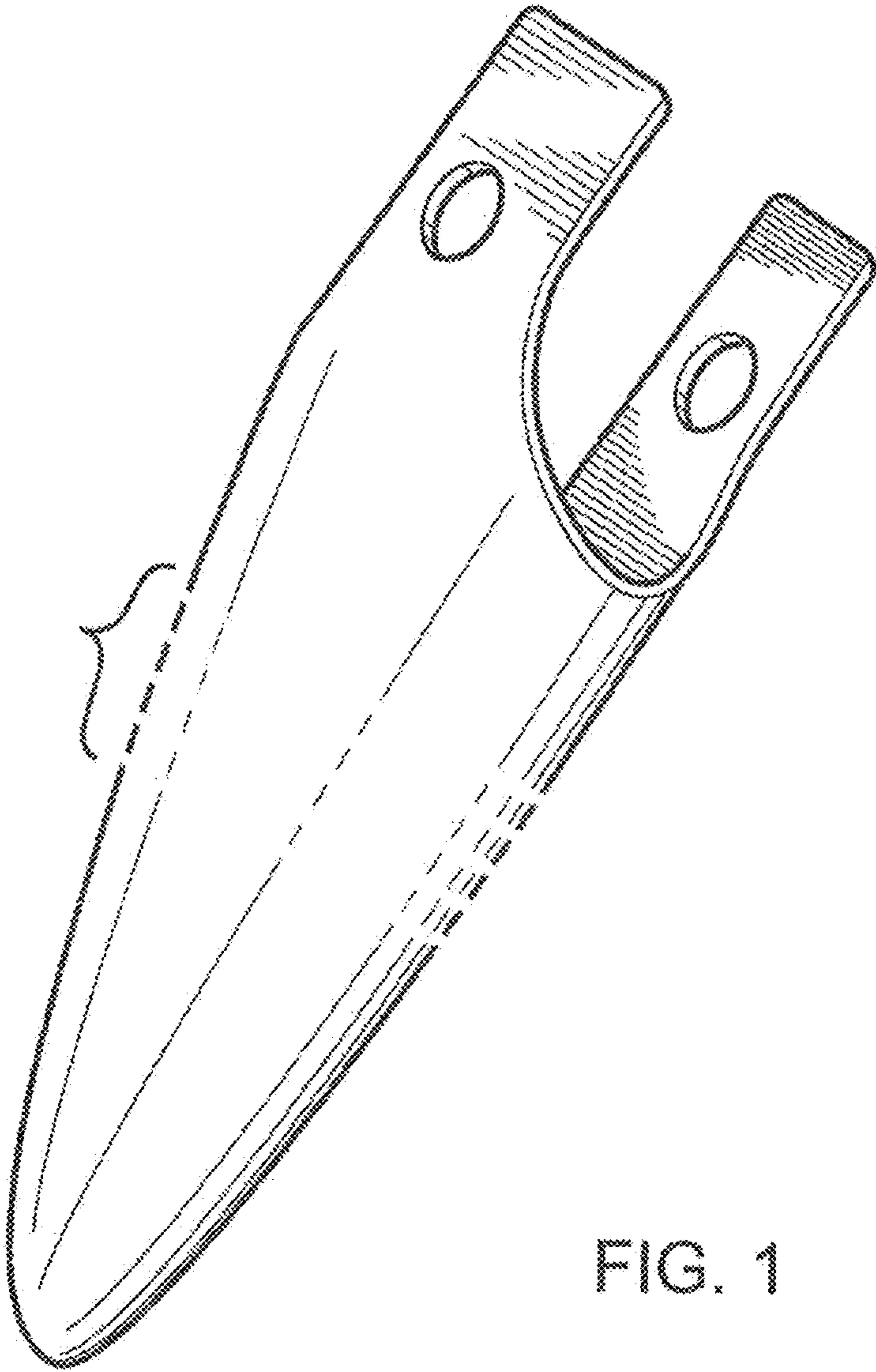


FIG. 1

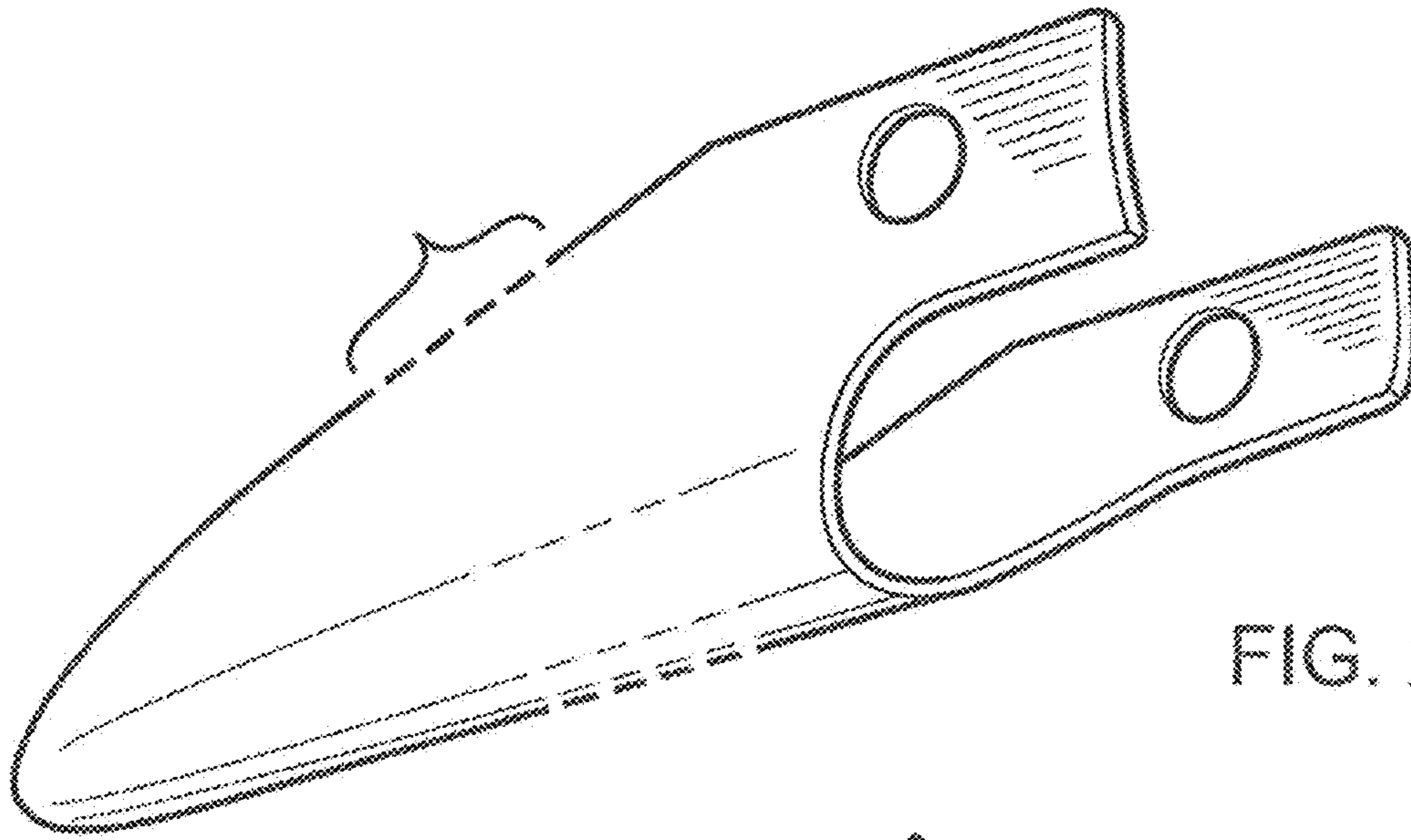


FIG. 2

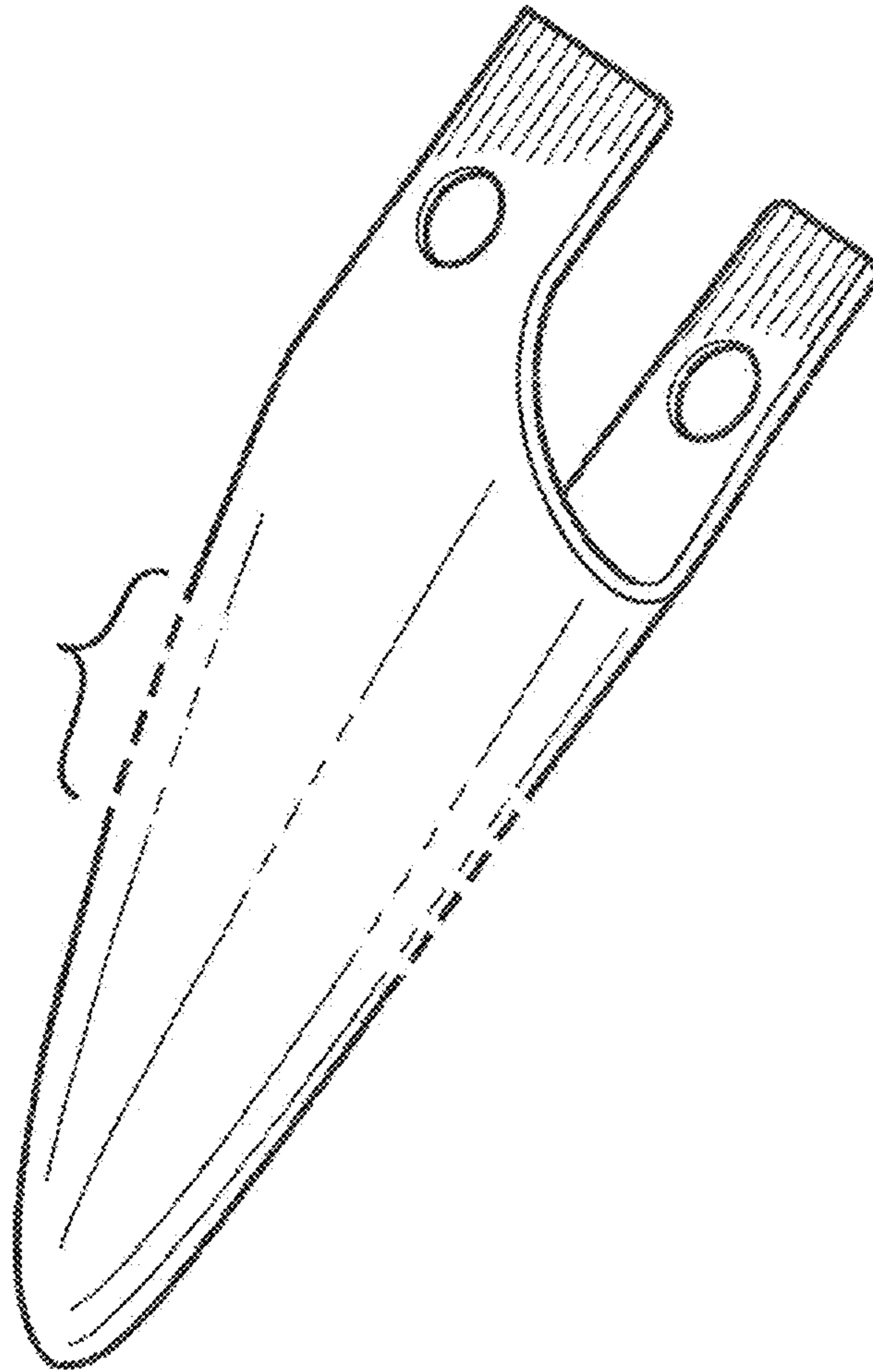


FIG. 3

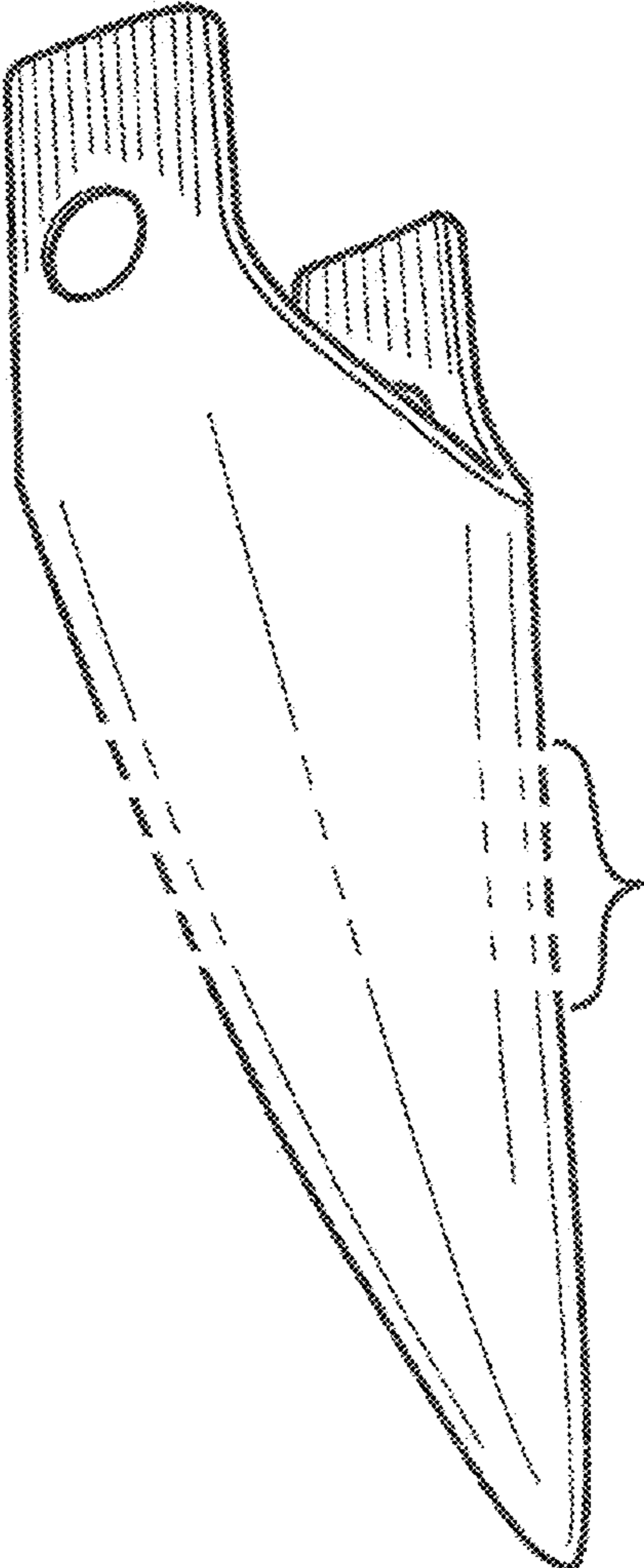


FIG. 4

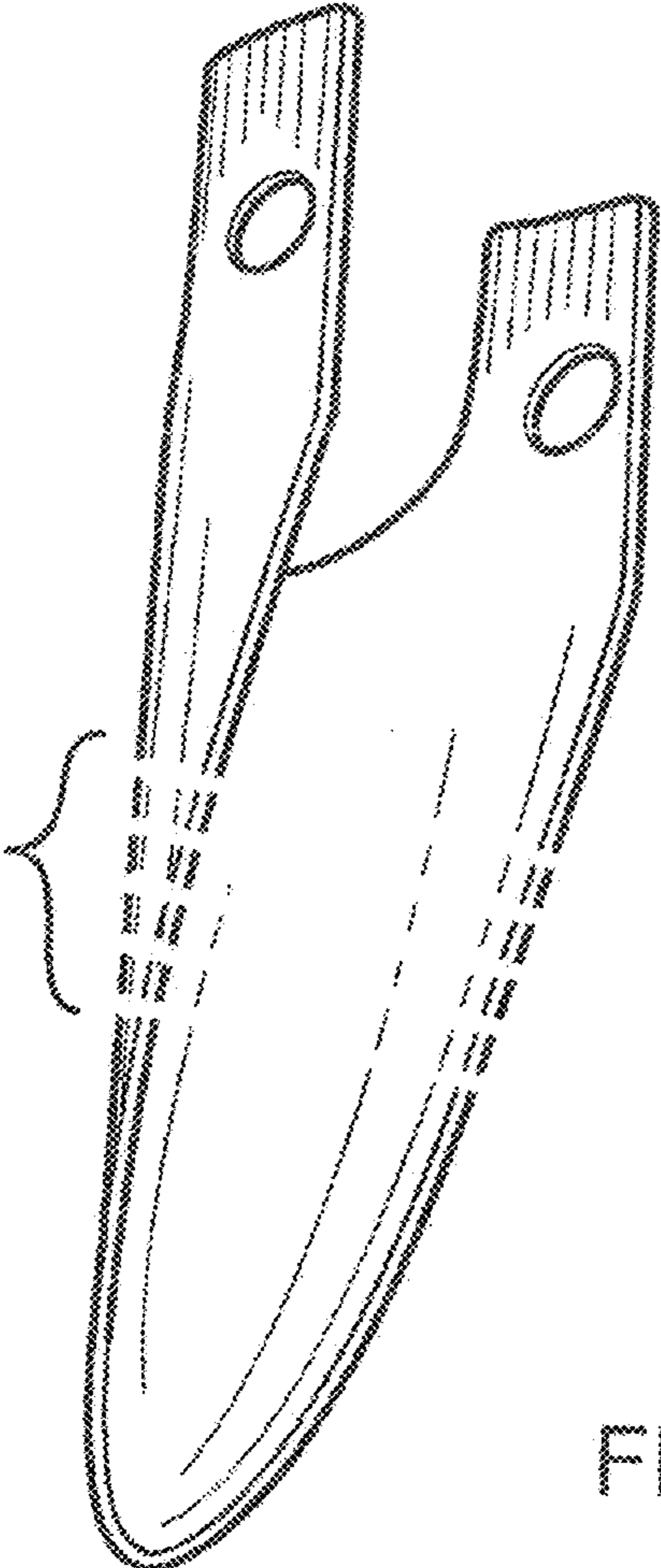


FIG. 5

FIG. 6

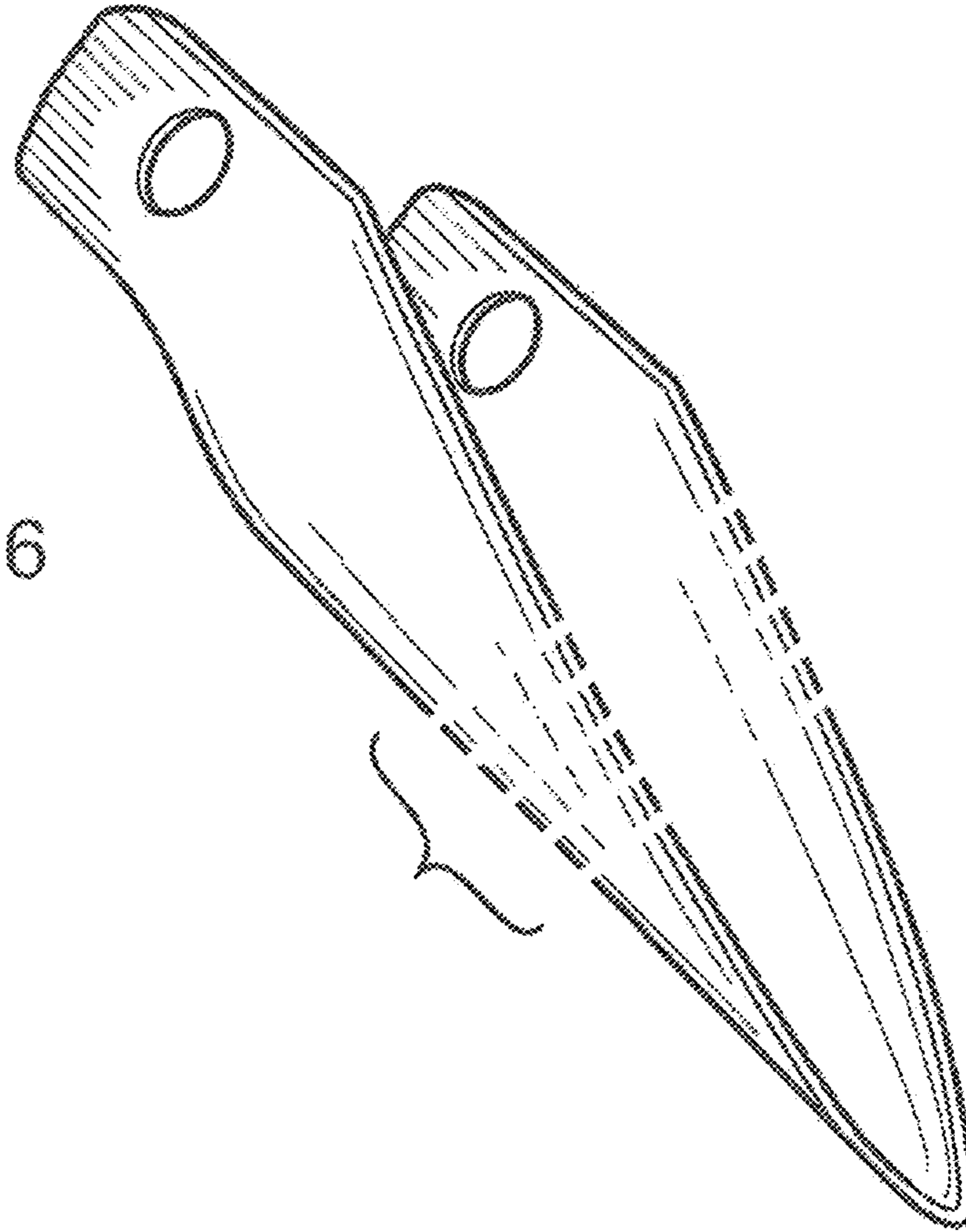
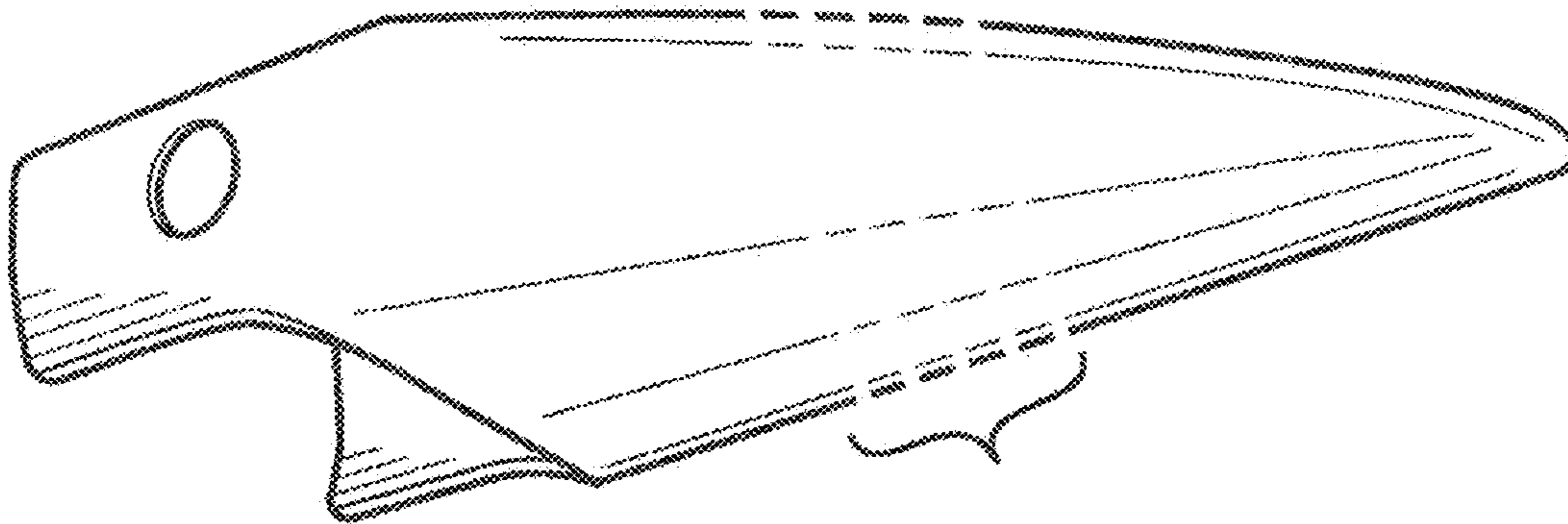


FIG. 7



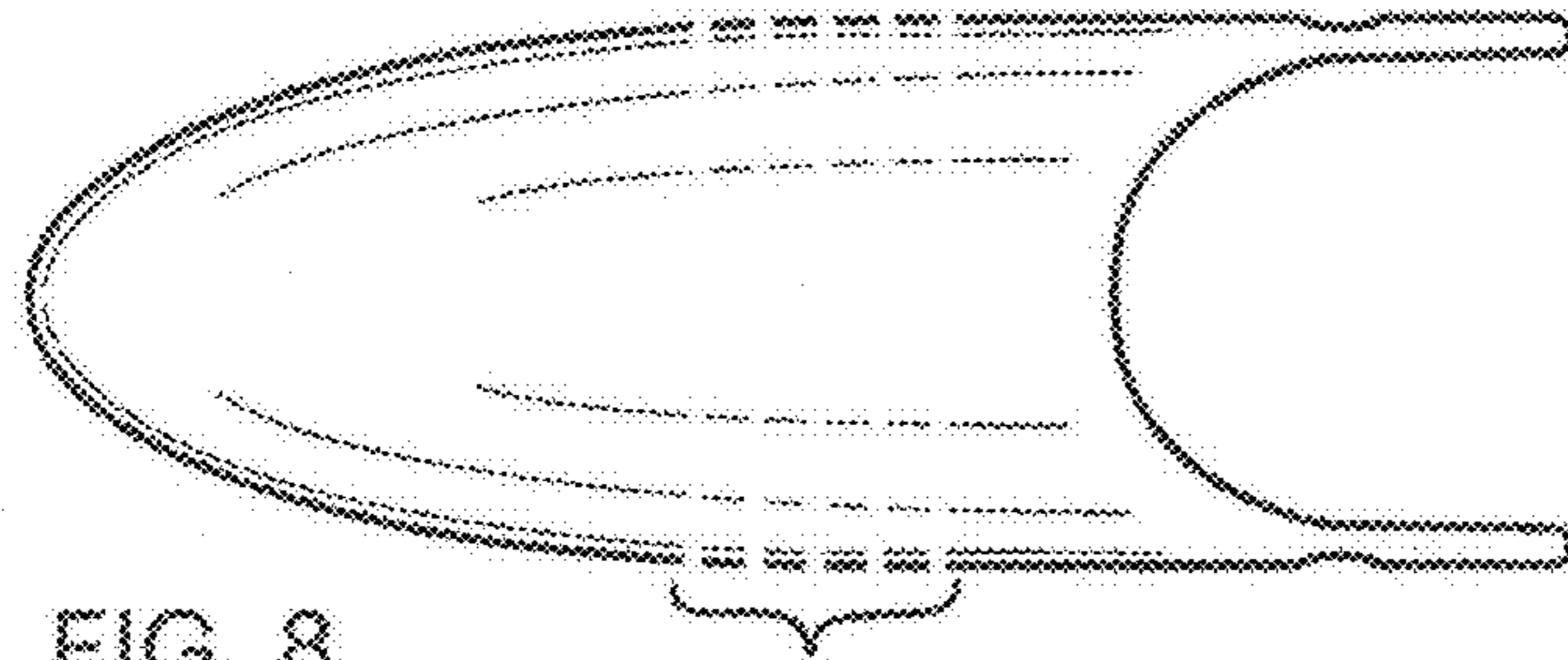


FIG. 8



FIG. 9

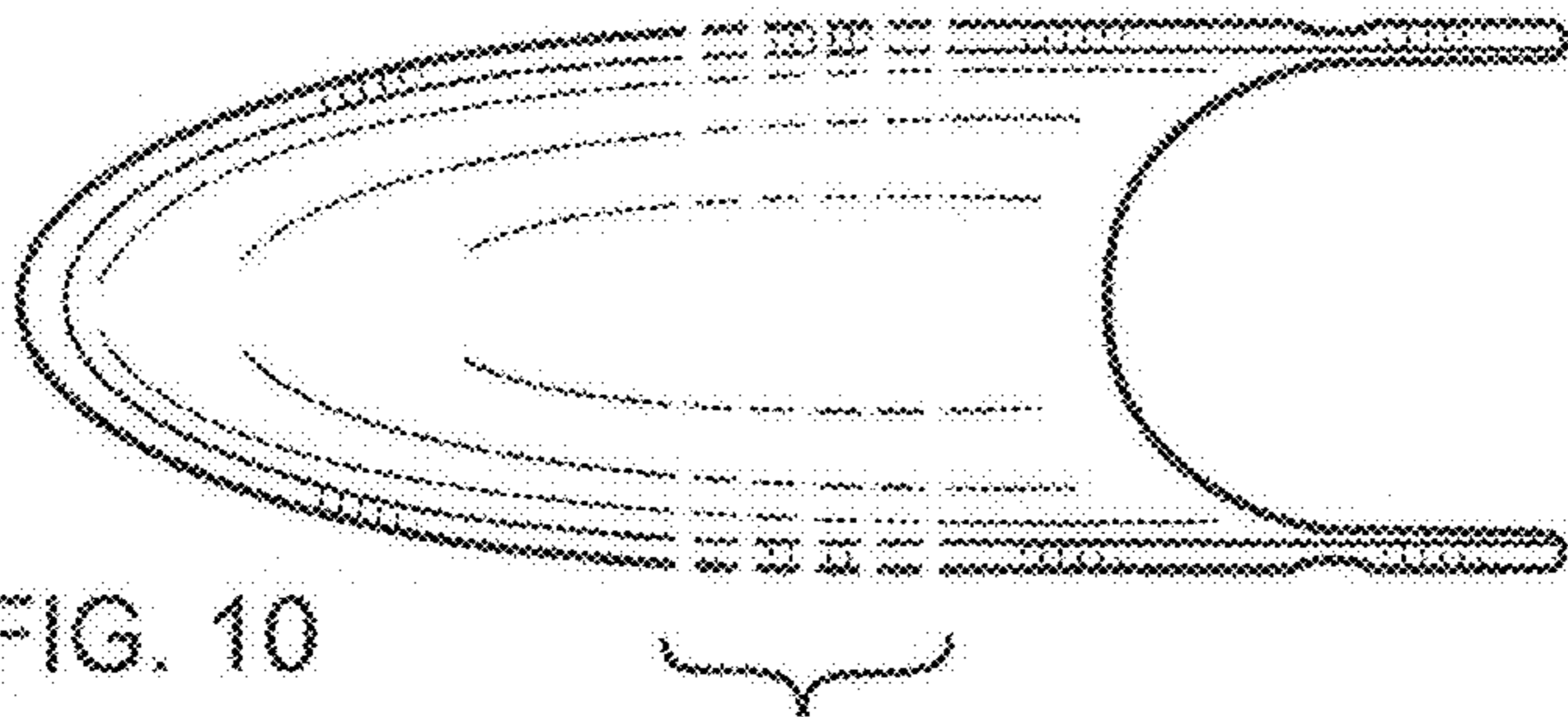


FIG. 10

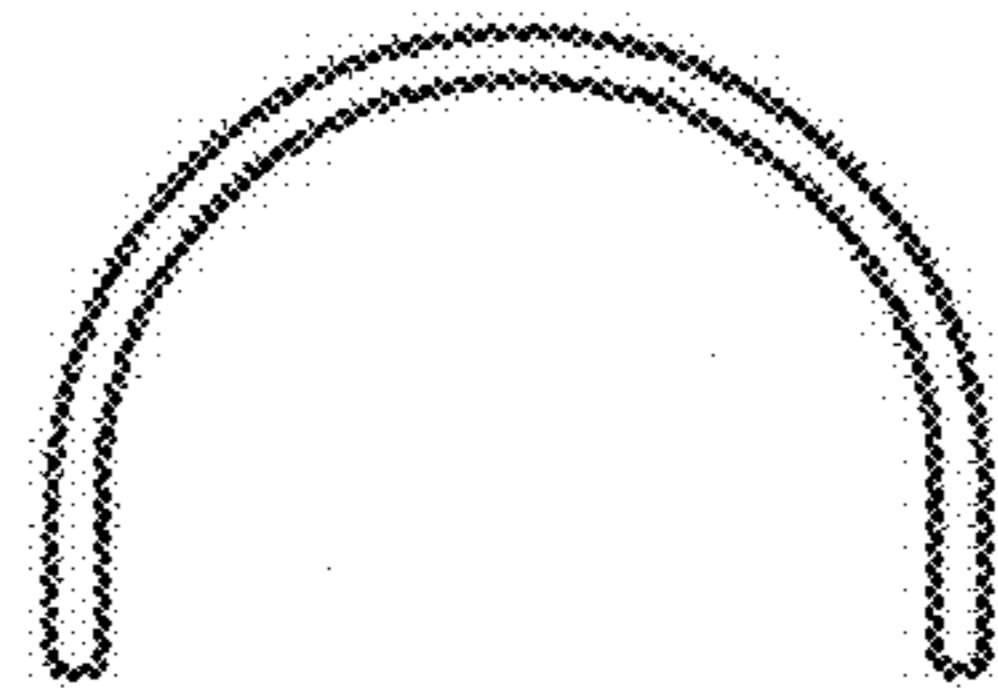


FIG. 11

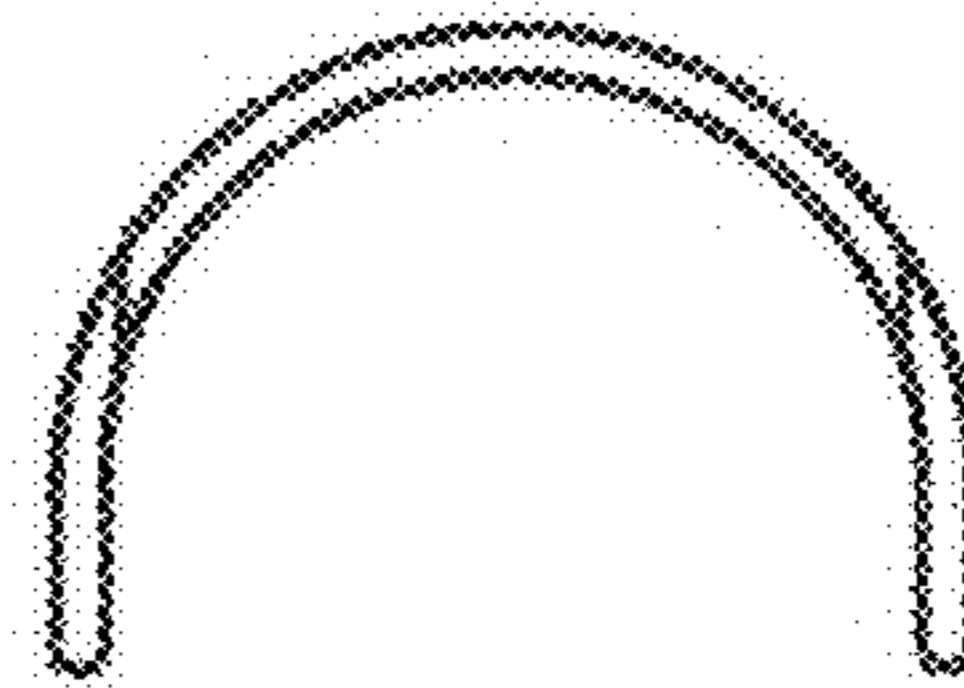


FIG. 12

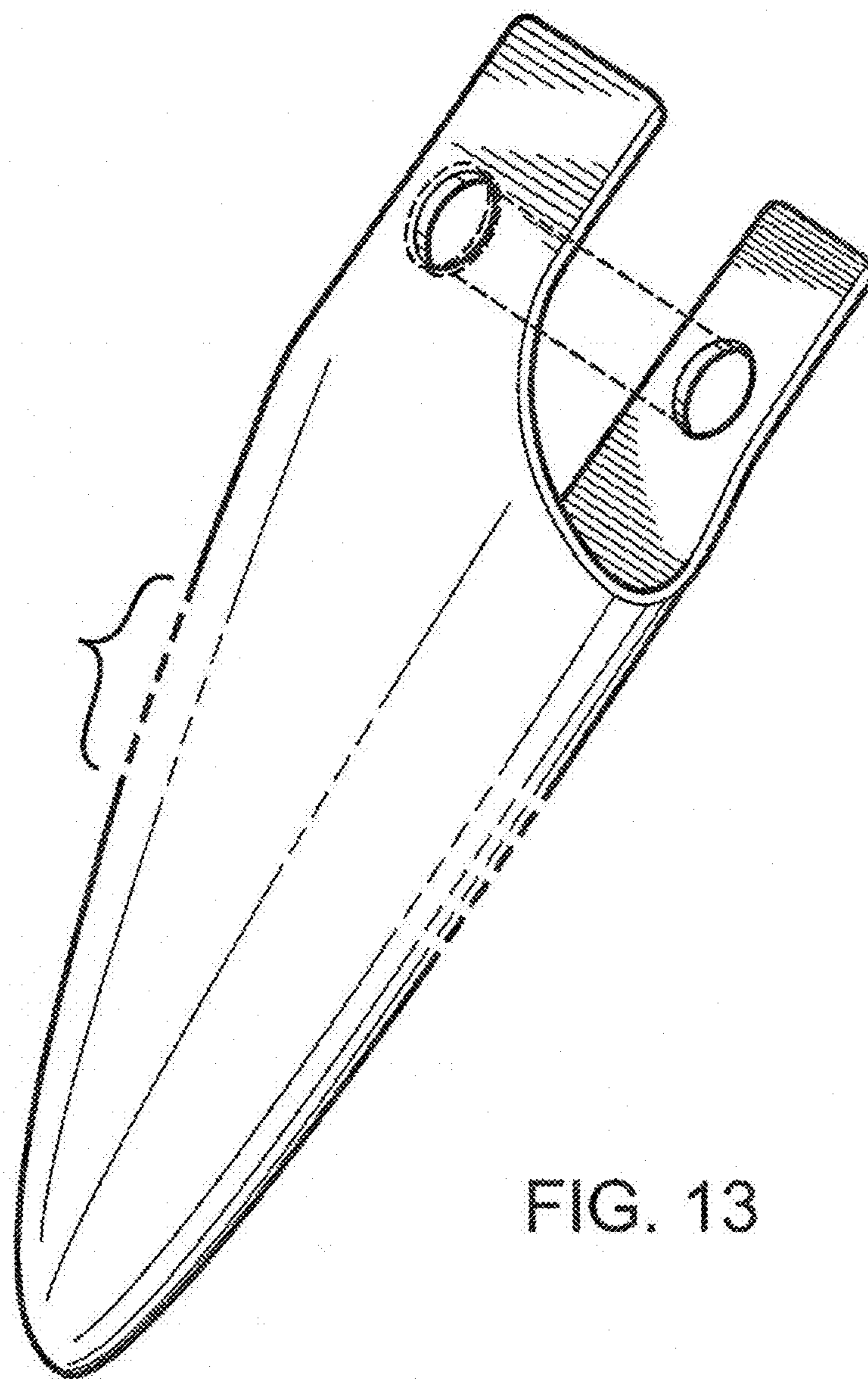


FIG. 13

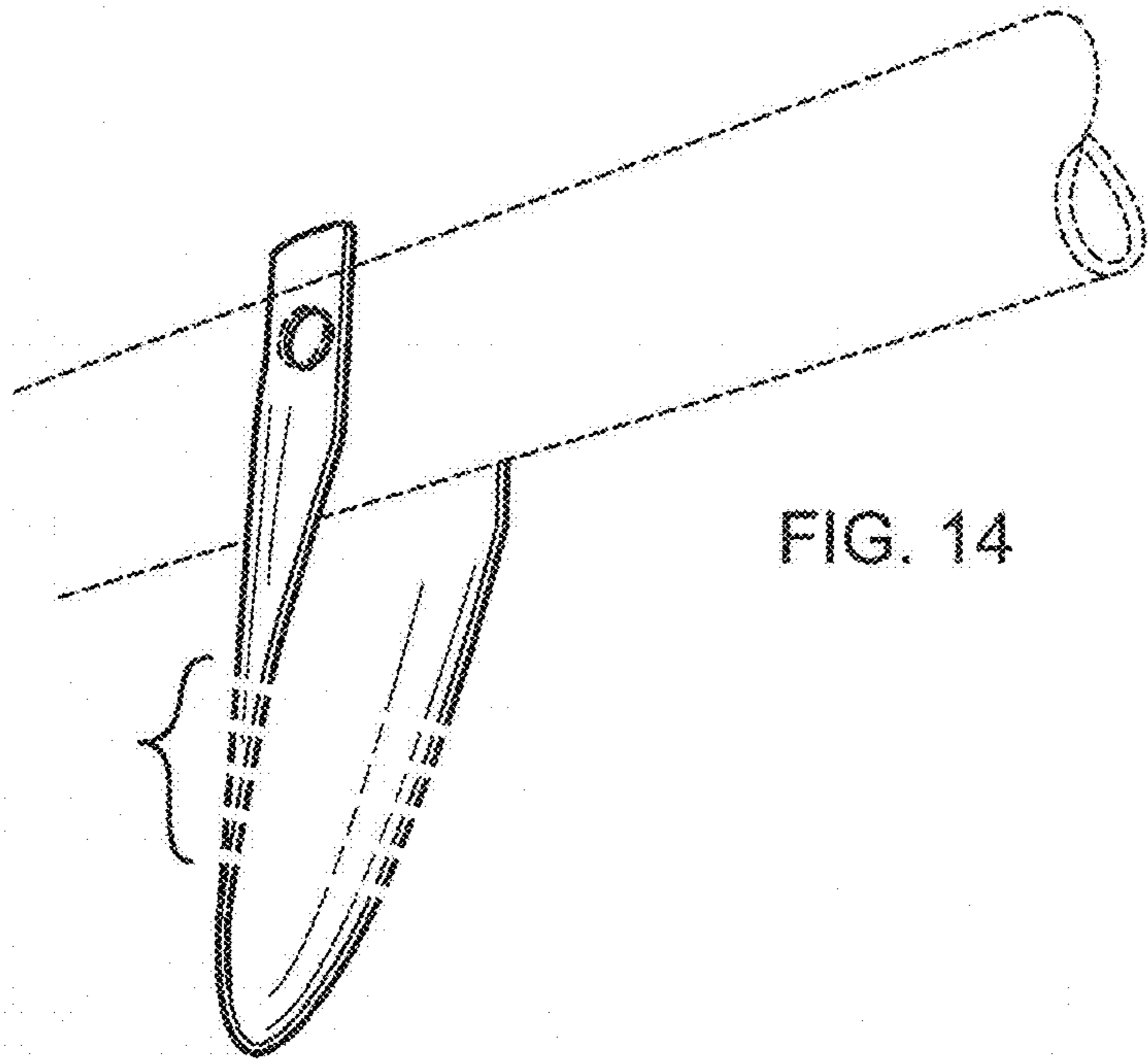


FIG. 14

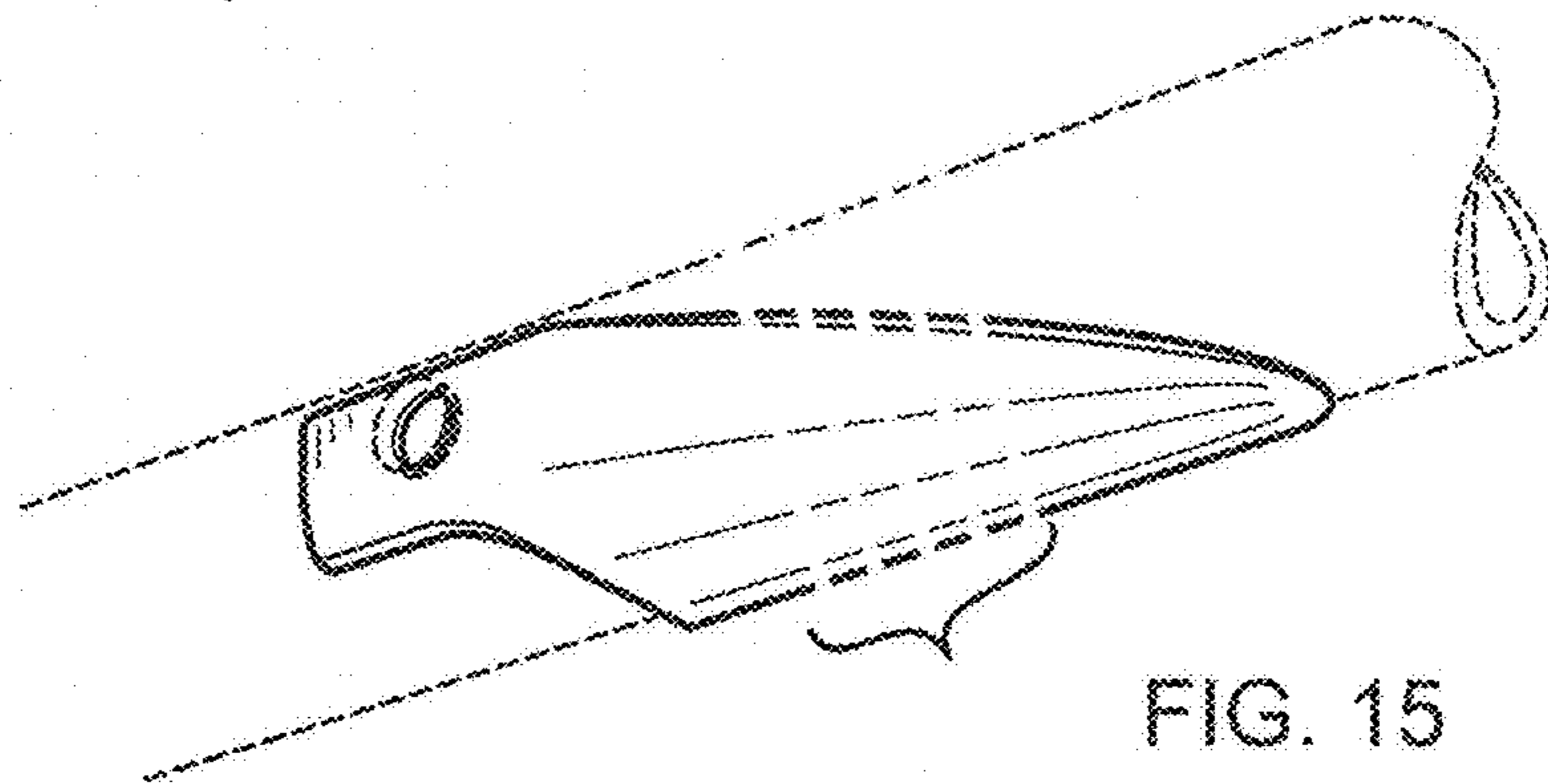


FIG. 15