



US00D783741S

(12) **United States Design Patent**  
**Moschel**

(10) **Patent No.:** **US D783,741 S**

(45) **Date of Patent:** **\*\* Apr. 11, 2017**

(54) **SHOULDER PRESS BENCH WITH FOOT PEDALS**

(71) Applicant: **DTIP.LLC**, Astoria, NY (US)

(72) Inventor: **Michael Moschel**, Astoria, NY (US)

(73) Assignee: **DTIP.LLC**, New York, NY (US)

(\*\*) Term: **15 Years**

(21) Appl. No.: **29/542,500**

(22) Filed: **Oct. 14, 2015**

(51) **LOC (10) Cl.** ..... **21-02**

(52) **U.S. Cl.**  
USPC ..... **D21/690**

(58) **Field of Classification Search**  
USPC ..... D21/663, 667, 666, 697, 694, 665, 668,  
D21/664; 482/61, 57, 58, 127, 133, 51,  
482/9, 60, 904, 8, 1, 900, 63, 908, 59, 62,  
482/64, 53; 74/502.4, 502.6, 594.2,  
74/594.1, 48; D12/178, 411, 345;  
D23/382, 381, 378, 412, 411; D13/115;  
D15/7

CPC . A63B 22/0605; A63B 21/225; A63B 22/001;  
A63B 22/0664; A63B 2225/09; A63B  
2022/0676; A63B 2022/067; A63B  
21/015; A63B 2022/0652; Y10T 74/2164  
See application file for complete search history.

(56) **References Cited**

U.S. PATENT DOCUMENTS

2,209,034 A *	7/1940	Paul .....	A63B 21/023 482/130
3,833,216 A	9/1974	Philbin	
3,964,742 A	6/1976	Carnielli	
4,333,644 A	6/1982	Lambert, Jr. et al.	
4,625,962 A	12/1986	Street	
4,830,362 A	5/1989	Bull	
4,838,547 A	6/1989	Sterling	
4,842,269 A	6/1989	Huang	

D305,677 S *	1/1990	Beistegui .....	D21/666
D308,085 S *	5/1990	Alberta .....	D21/666
4,974,840 A	12/1990	Welch	
5,108,092 A *	4/1992	Hurst .....	A63B 22/0005 482/60
5,145,479 A	9/1992	Olschansky et al.	
5,178,593 A	1/1993	Roberts	
D342,299 S *	12/1993	Birrell .....	D21/666
D343,878 S *	2/1994	Hughes .....	D21/665

(Continued)

FOREIGN PATENT DOCUMENTS

CA	2630430	11/2009
KR	1020120070239	6/2012
WO	9700031	1/1997

OTHER PUBLICATIONS

Sky presscycle by symmetry central dated no date given. Found online [Nov. 8, 2016] <http://www.symmetrycentral.com/>.\*

(Continued)

*Primary Examiner* — Robert M Spear  
*Assistant Examiner* — Ryan Harvey  
(74) *Attorney, Agent, or Firm* — Amster, Rothstein & Ebenstein LLP

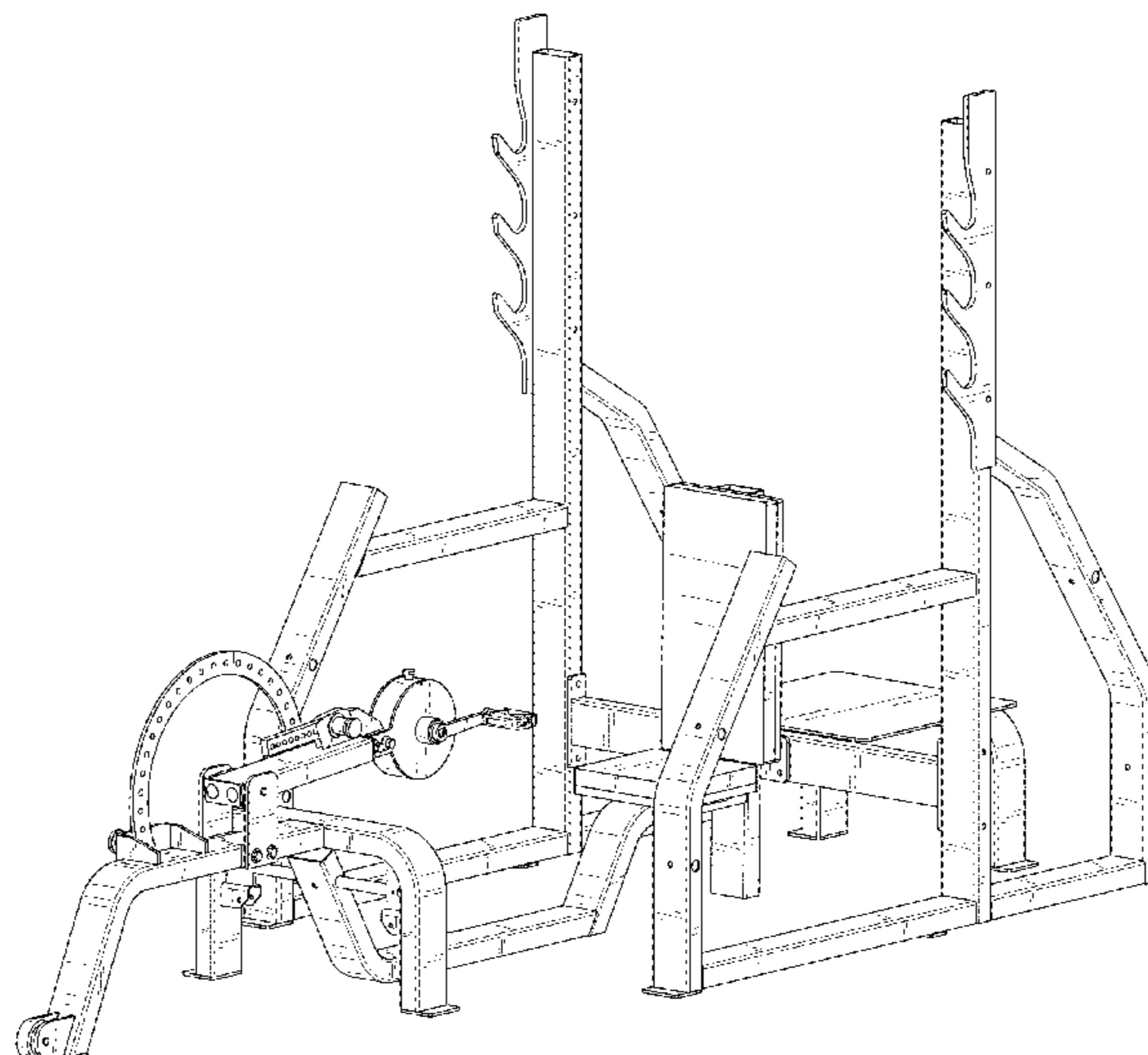
(57) **CLAIM**

The ornamental design for a shoulder press bench with foot pedals, as shown and described.

**DESCRIPTION**

FIG. 1 is a perspective view of a new design for a shoulder press bench with foot pedals;  
FIG. 2 is a front view thereof;  
FIG. 3 is a rear view thereof;  
FIG. 4 is a right side view thereof;  
FIG. 5 is a left side view thereof;  
FIG. 6 is a top plan view thereof; and,  
FIG. 7 is a bottom plan view thereof.

**1 Claim, 7 Drawing Sheets**



(56)

References Cited

U.S. PATENT DOCUMENTS

5,318,487 A 6/1994 Golen et al.  
 5,405,305 A 4/1995 Wilkinson et al.  
 5,496,236 A 3/1996 Buonaiuto  
 D372,283 S \* 7/1996 Chen ..... D21/663  
 5,569,128 A 10/1996 Dalebout  
 5,580,341 A 12/1996 Simonson  
 5,823,921 A 10/1998 Dawson  
 5,941,803 A 8/1999 Chamberlain et al.  
 5,976,062 A 11/1999 Toups  
 6,071,216 A 6/2000 Giannelli et al.  
 D427,652 S \* 7/2000 Webber ..... D21/676  
 6,090,021 A 7/2000 Flowers et al.  
 6,254,516 B1 7/2001 Giannelli et al.  
 6,413,192 B2 7/2002 Abelbeck  
 D462,730 S \* 9/2002 Cormier ..... D21/676  
 6,547,702 B1 4/2003 Heidecke  
 6,551,219 B1 4/2003 Brown  
 6,565,495 B2 5/2003 Slattery  
 6,902,515 B2 6/2005 Howell et al.  
 D526,368 S \* 8/2006 Giger ..... D21/665  
 D531,237 S \* 10/2006 Giger ..... D21/666  
 7,285,077 B1 10/2007 Marx  
 7,322,907 B2 1/2008 Bowser  
 7,513,853 B1 4/2009 Russ  
 7,524,272 B2 4/2009 Bruck et al.  
 7,662,070 B1 \* 2/2010 Mann ..... A61H 1/0214  
 482/51  
 7,695,411 B2 4/2010 Pandozy  
 7,717,833 B1 5/2010 Nelson et al.  
 7,740,563 B2 6/2010 Dalebout et al.  
 7,775,936 B2 8/2010 Wilkinson  
 7,874,971 B2 1/2011 Reyes  
 D637,245 S \* 5/2011 Huber ..... D21/666  
 7,985,167 B2 7/2011 Nizam  
 8,206,272 B2 6/2012 Greene  
 8,388,504 B2 3/2013 Ellis  
 8,523,743 B1 \* 9/2013 Miles ..... A63B 21/002  
 482/103  
 D697,565 S \* 1/2014 Giger ..... D21/665  
 8,696,526 B1 4/2014 Dew  
 8,821,354 B1 9/2014 Tabahi  
 D727,444 S \* 4/2015 Dixon ..... D21/690  
 9,079,067 B2 \* 7/2015 Huber ..... A63B 22/0605  
 2002/0035017 A1 3/2002 Pertegaz-Esteban  
 2004/0192522 A1 9/2004 Hippensteel

2005/0096196 A1 5/2005 Webber et al.  
 2005/0101463 A1 5/2005 Chen  
 2005/0277524 A1 12/2005 Bae  
 2006/0019804 A1 1/2006 Young  
 2006/0116253 A1 6/2006 Nizam  
 2006/0189451 A1 8/2006 Nelson  
 2006/0264304 A1 11/2006 Habing  
 2007/0173384 A1 7/2007 Sechrest et al.  
 2008/0051274 A1 2/2008 Greene  
 2008/0318738 A1 12/2008 Chen  
 2010/0035729 A1 2/2010 Pandozy  
 2010/0210425 A1 8/2010 Bowser  
 2011/0172064 A1 7/2011 Cutler et al.  
 2011/0245043 A1 10/2011 Mitchell  
 2014/0031173 A1 1/2014 Huang  
 2014/0031174 A1 1/2014 Huang  
 2014/0287883 A1 \* 9/2014 Decca ..... A63B 22/0694  
 482/57  
 2014/0364281 A1 12/2014 Moschel  
 2014/0364282 A1 12/2014 Moschel  
 2014/0364283 A1 12/2014 Moschel  
 2014/0364284 A1 12/2014 Moschel  
 2014/0364285 A1 12/2014 Moschel

OTHER PUBLICATIONS

Declaration of Michael Moschel under 37 C.F.R. 1.132 filed in U.S. Appl. No. 14/961,134 on Aug. 22, 2016.  
 U.S. Appl. No. 61/831,903, filed Jun. 6, 2013.  
 U.S. Appl. No. 61/872,207, filed Aug. 30, 2013.  
 Photograph of prior art exercise machine accessed on Dec. 5, 2013 from URL. <https://encrypted-tbn2.gstatic.com/images?q=tbn:ANd9GcSIIvDYh7Y4av62BDNf61YHLvSaxArhi2MxY3KgGMailS1UeuqXbA>.  
 Photograph of prior art exercise machine. Accessed from World Wide Web on Sep. 20, 2013.  
 The Bench-Press Angle That Will Maximize Your Chest Workout, by Christina Simonetto, Men's Fitness, Accessed Jul. 29, 2015, <http://www.mensfitness.com/print/42913>.  
 Declaration of Michael Moschel under 37 C.F.R. 1.132, filed in U.S. Appl. No. 13/967,945 on Oct. 5, 2015.  
 Declaration of Michael Moschel under 37 C.F.R. 1.132, filed in U.S. Appl. No. 14/104,664 on Dec. 30, 2015.  
 Declaration of Michael Moschel under 37 C.F.R. 1.132, filed in U.S. Appl. No. 14/154,957 on Feb. 8, 2016.

\* cited by examiner



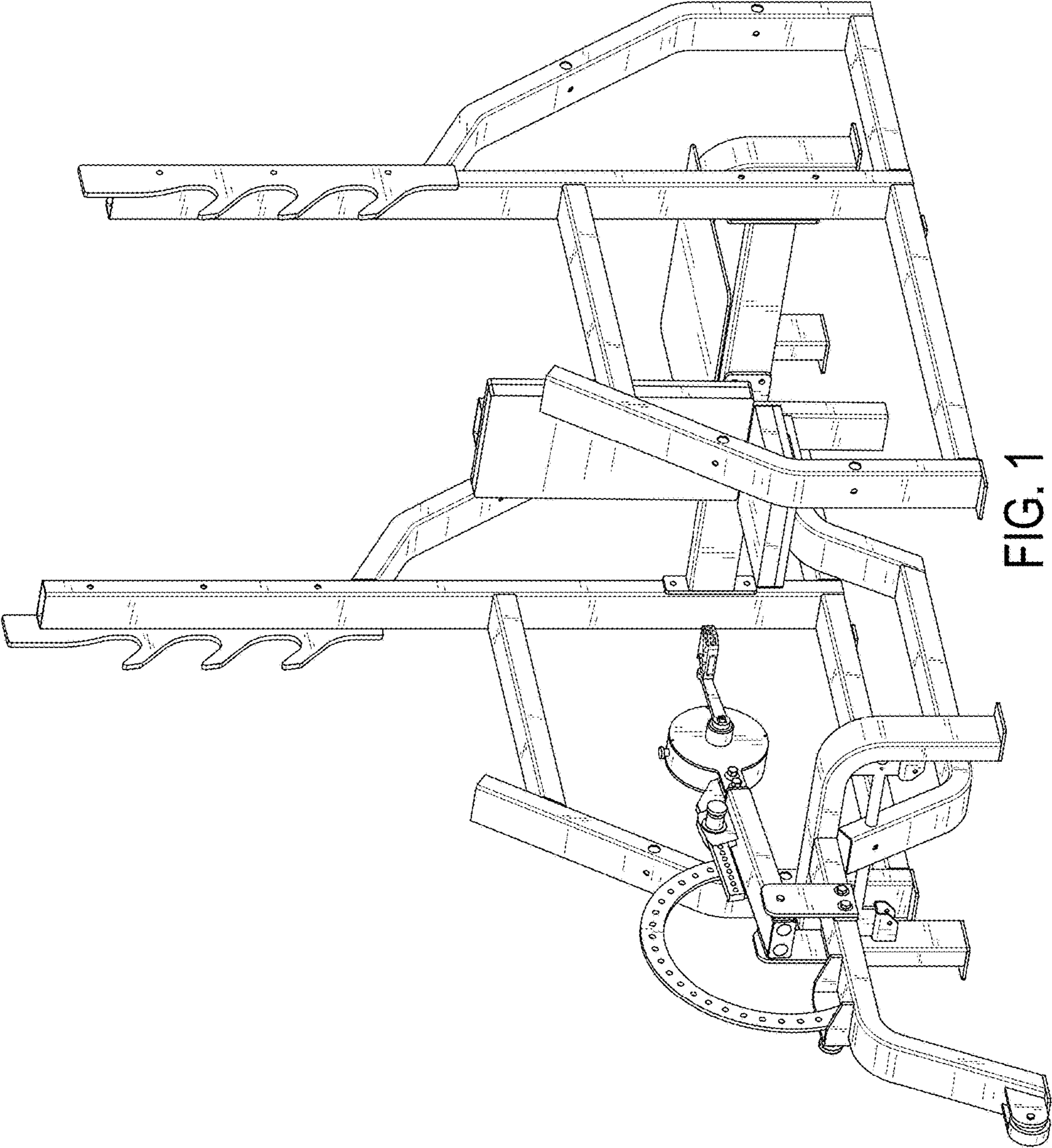


FIG. 1

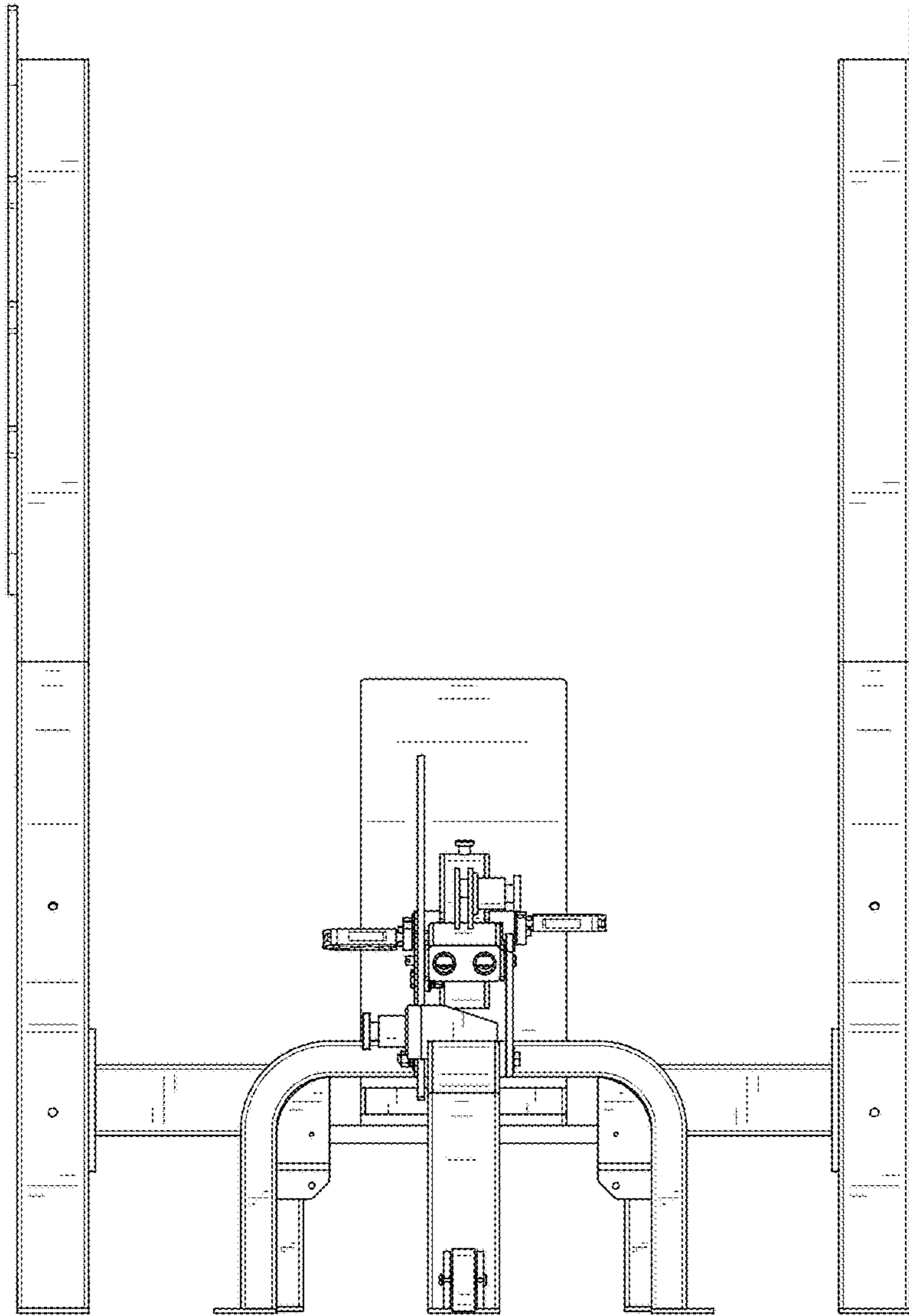


FIG. 2

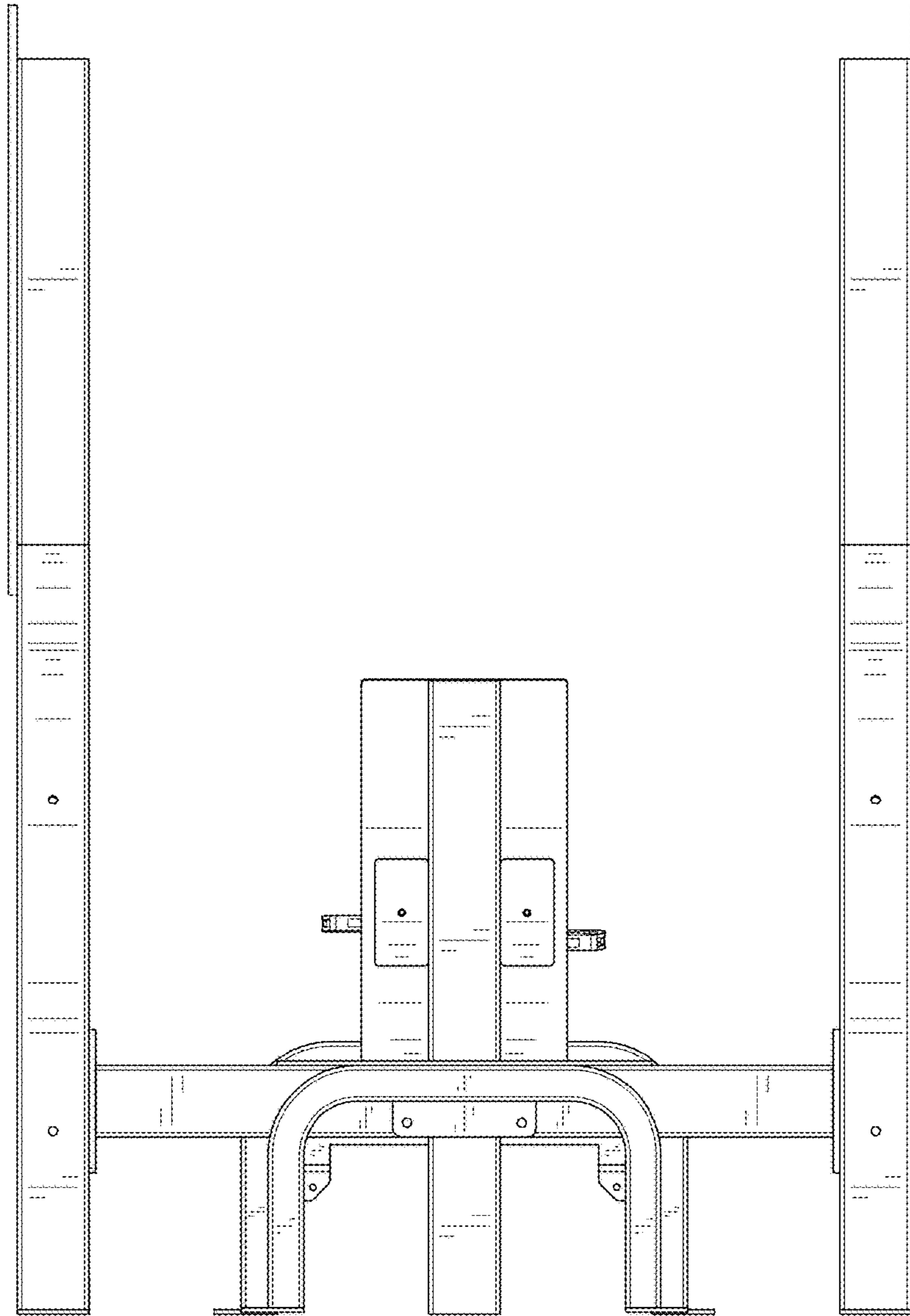


FIG. 3

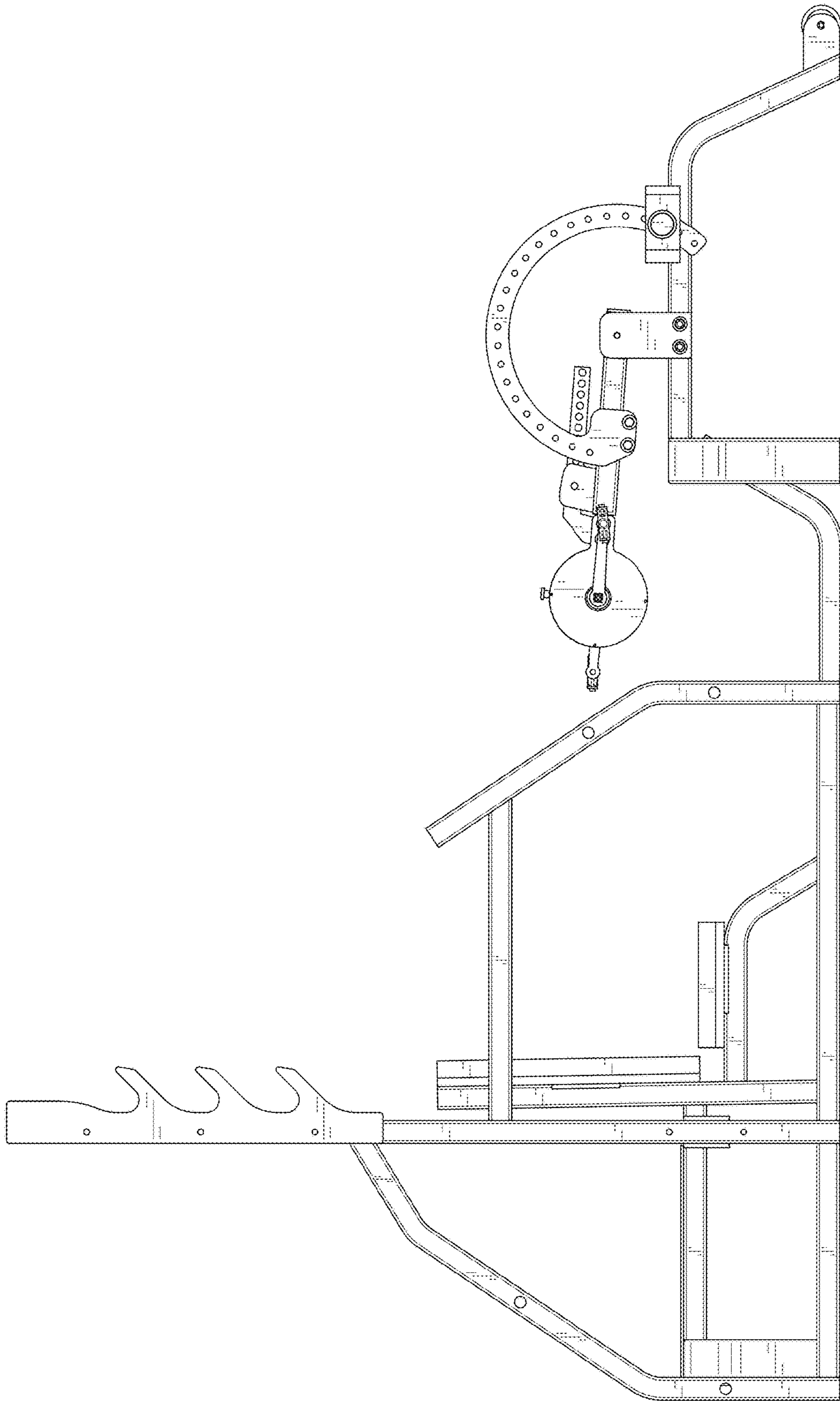


FIG. 4

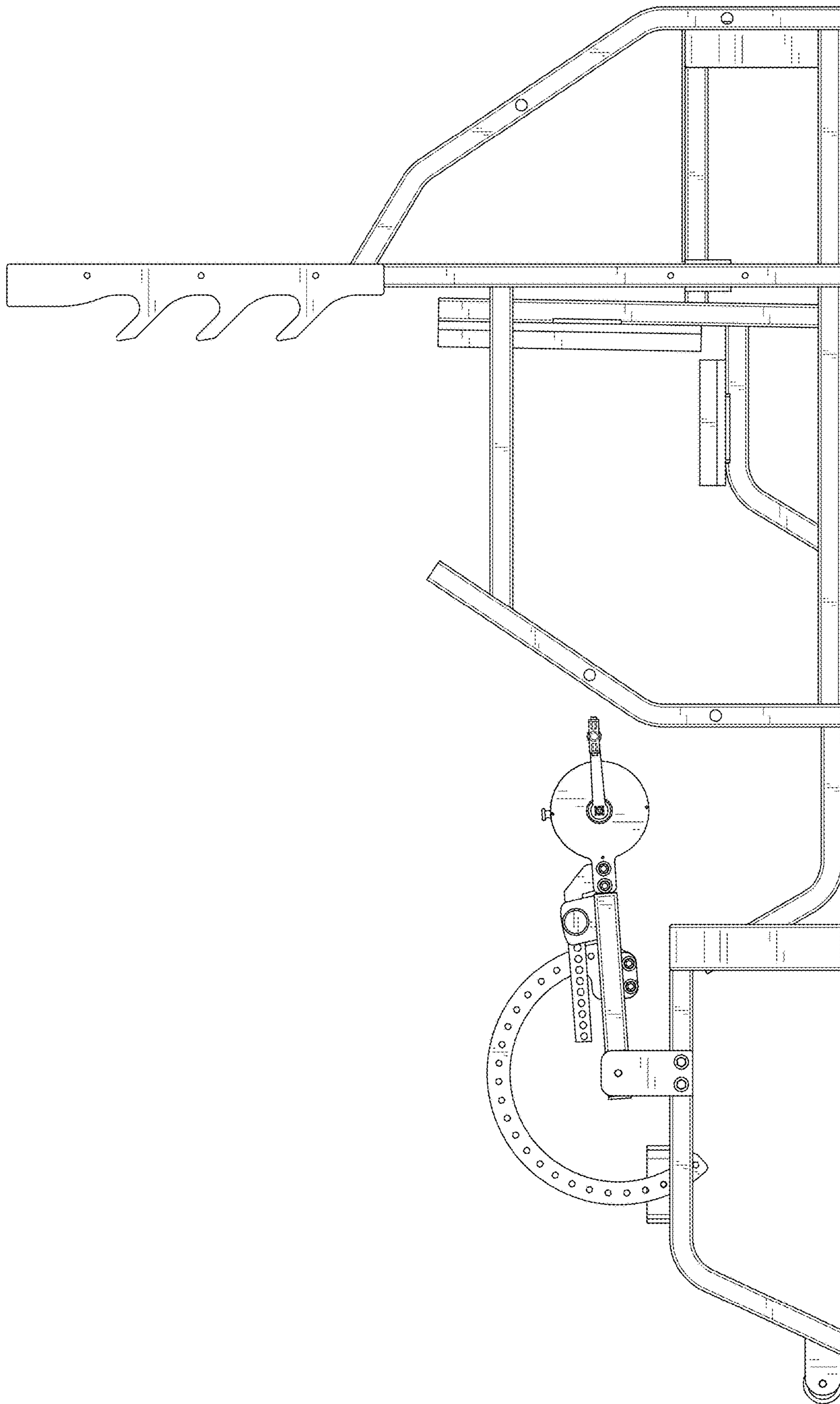


FIG. 5



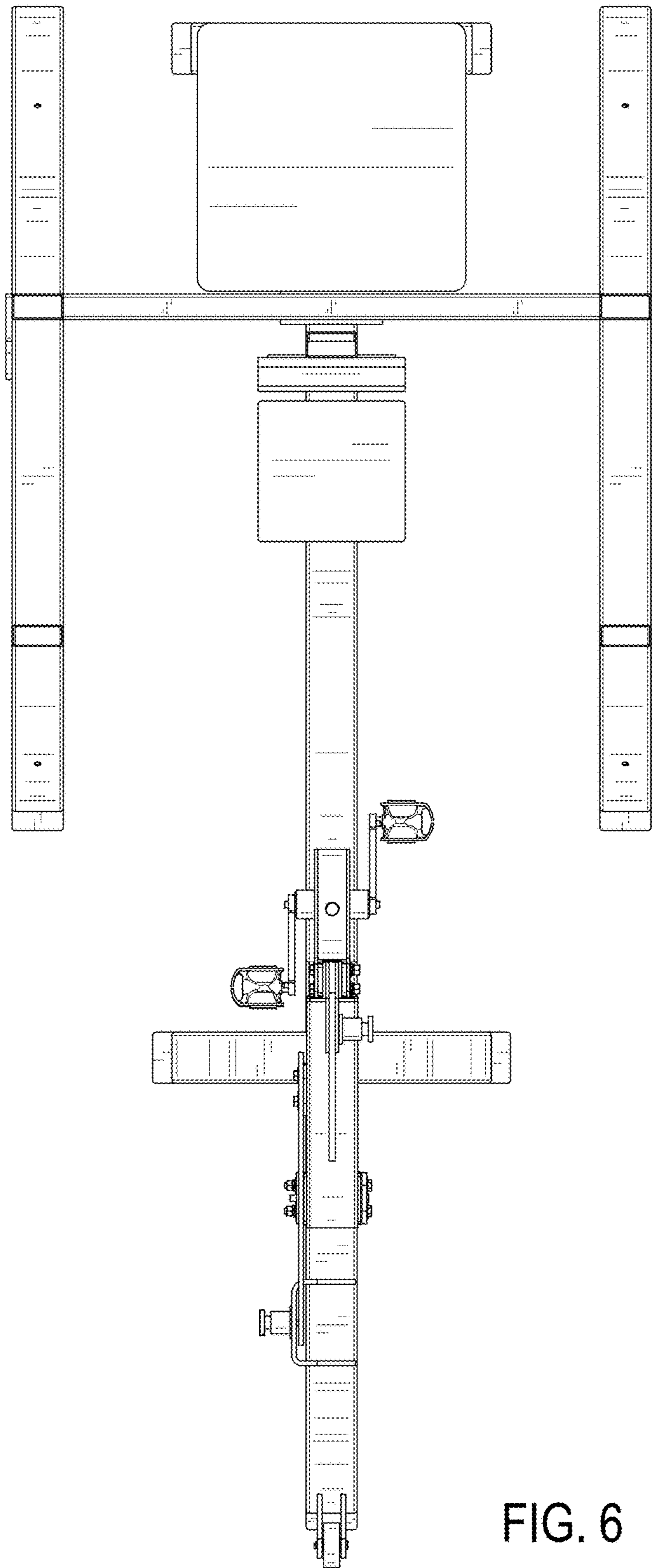


FIG. 6



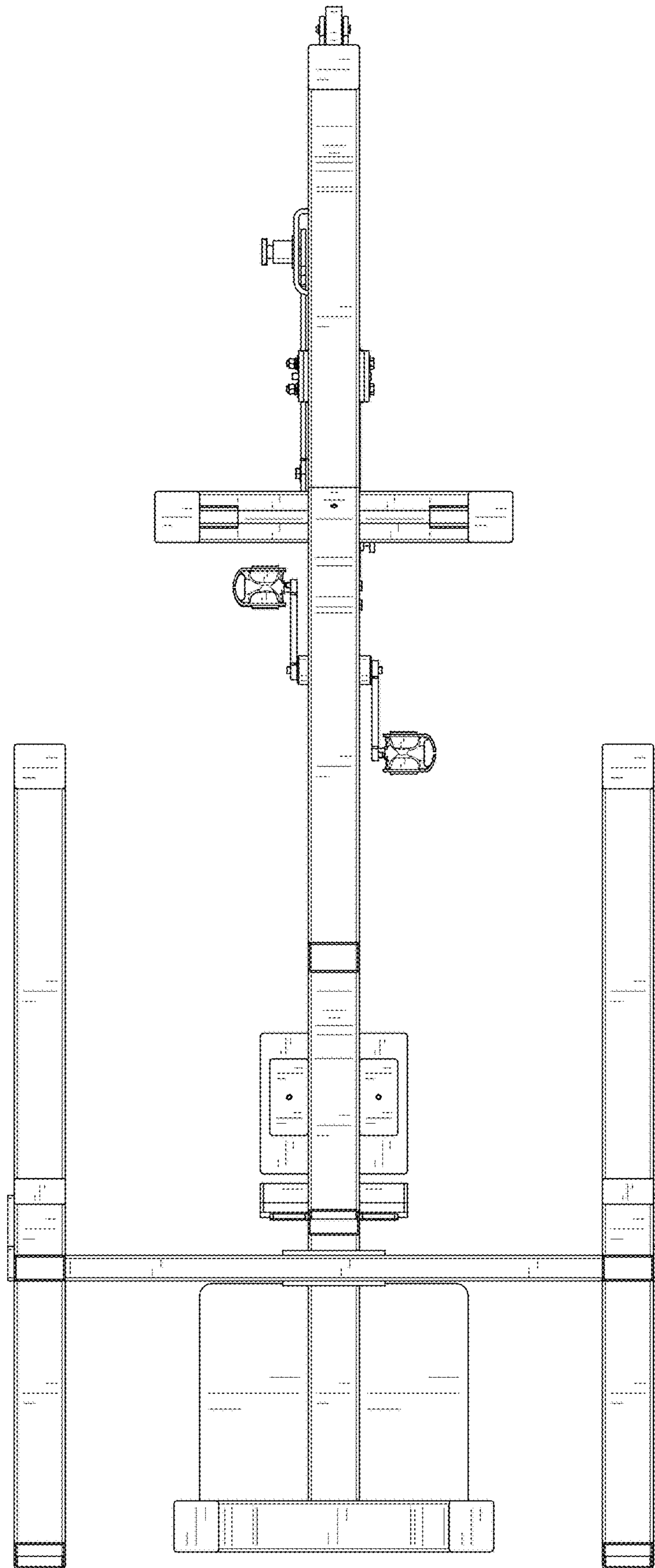


FIG. 7