



US00D783736S

(12) **United States Design Patent** (10) **Patent No.:** **US D783,736 S**  
**Goldsmith et al.** (45) **Date of Patent:** **\*\* Apr. 11, 2017**

(54) **ROBOT**

(71) Applicant: **Fondazione Istituto Italiano di Tecnologia**, Genoa (IT)  
(72) Inventors: **Jake Goldsmith**, Suffolk (GB);  
**Claudio Semini**, Oberwil (CH);  
**Darwin Gordon Caldwell**, Serra Ricco (IT)  
(73) Assignee: **Fondazione Istituto Italiano Di Tecnologia**, Genoa (IT)

(\*\*) Term: **15 Years**

(21) Appl. No.: **29/539,480**

(22) Filed: **Sep. 15, 2015**

(30) **Foreign Application Priority Data**

Mar. 17, 2015 (EM) ..... 002657353

(51) **LOC (10) Cl.** ..... **21-01**

(52) **U.S. Cl.**  
USPC ..... **D21/578**

(58) **Field of Classification Search**  
USPC ..... D6/598; D11/158; D21/576-585,  
D21/587-588, 592, 620, 650; D30/160;  
D15/199; 446/97, 356, 368-369, 376  
CPC ... A63H 3/00; A63H 3/02; A63H 3/06; A63H  
3/08; A63H 3/10; A63H 3/16; A63H  
3/20; A63H 7/00; A63H 7/06; A63H  
13/00; A63H 11/00; A63H 11/18; A63H  
11/20; A63H 15/00

See application file for complete search history.

(56) **References Cited**

U.S. PATENT DOCUMENTS

D289,070 S \* 3/1987 Forbes ..... D21/650  
D289,747 S \* 5/1987 Sethares ..... D21/650  
D418,551 S \* 1/2000 Kageyama ..... D21/576  
D427,256 S \* 6/2000 Teigiser ..... D21/650  
6,165,043 A \* 12/2000 Terzian ..... A63H 11/20  
446/356  
D458,320 S \* 6/2002 Domingues ..... D21/578  
6,652,352 B1 \* 11/2003 MacArthur ..... A63H 30/04  
446/368  
6,866,557 B2 \* 3/2005 Randall ..... A63H 11/205  
446/356

\* cited by examiner

*Primary Examiner* — Sandra Morris

(74) *Attorney, Agent, or Firm* — Arent Fox LLP

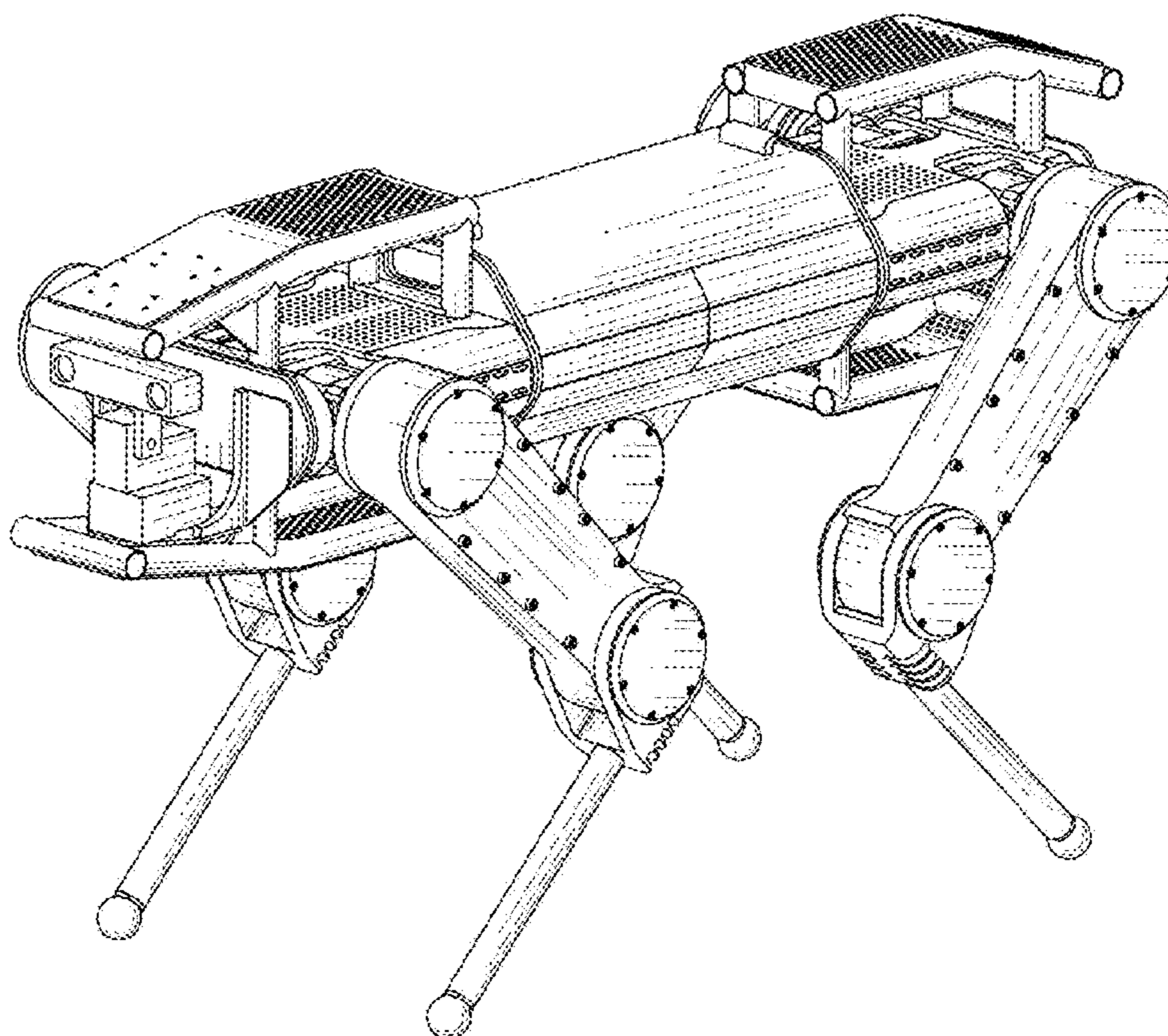
(57) **CLAIM**

The ornamental design for a robot, as shown and described.

**DESCRIPTION**

FIG. 1 is a perspective view of a robot showing our new design;  
FIG. 2 is a front view of the robot shown in FIG. 1;  
FIG. 3 is a rear view of the robot shown in FIG. 1;  
FIG. 4 is a right side view of the robot shown in FIG. 1;  
FIG. 5 is a left side view of the robot shown in FIG. 1;  
FIG. 6 is a top view of the robot shown in FIG. 1; and,  
FIG. 7 is a bottom view of the robot shown in FIG. 1.

**1 Claim, 7 Drawing Sheets**



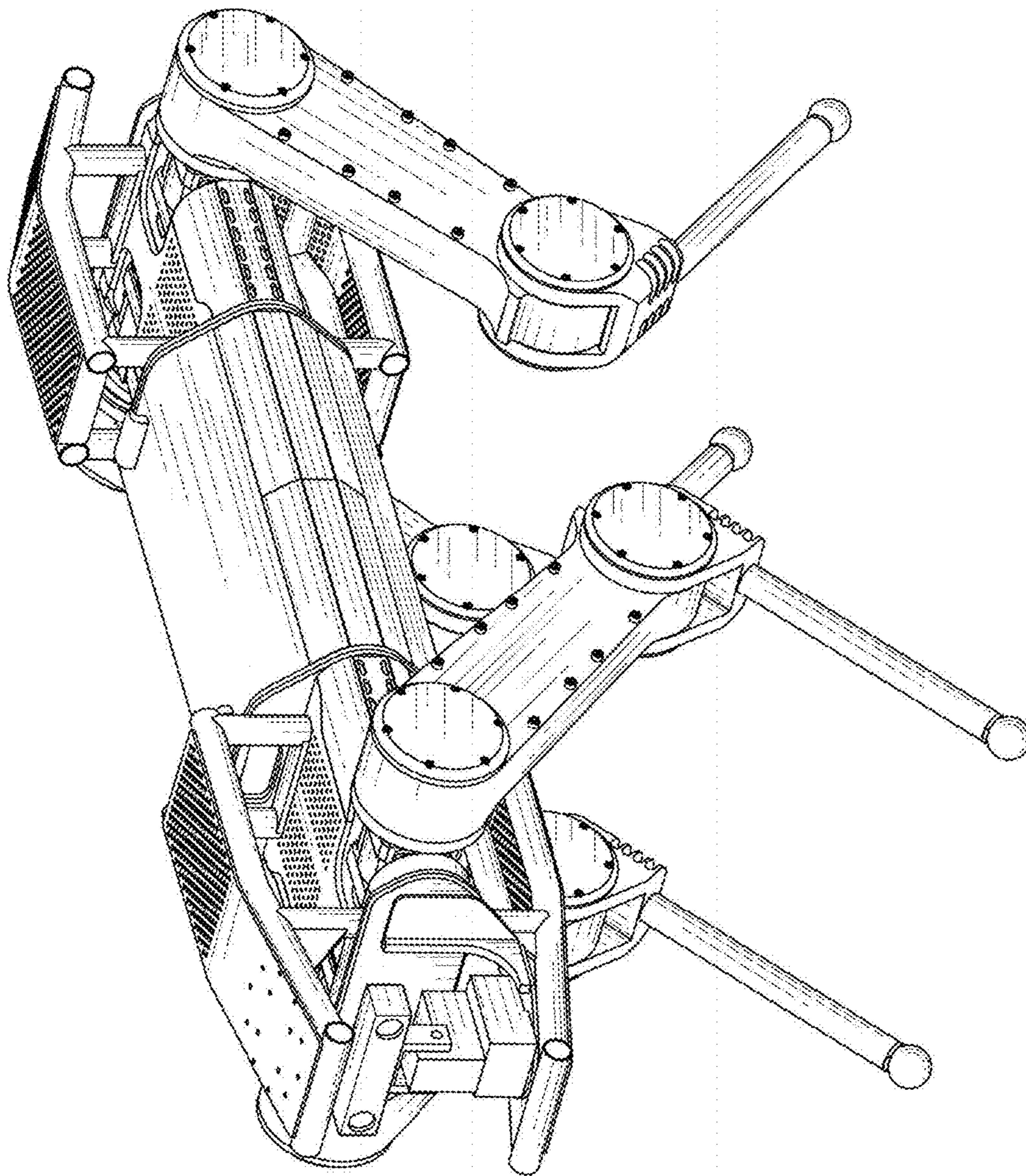


Fig. 1

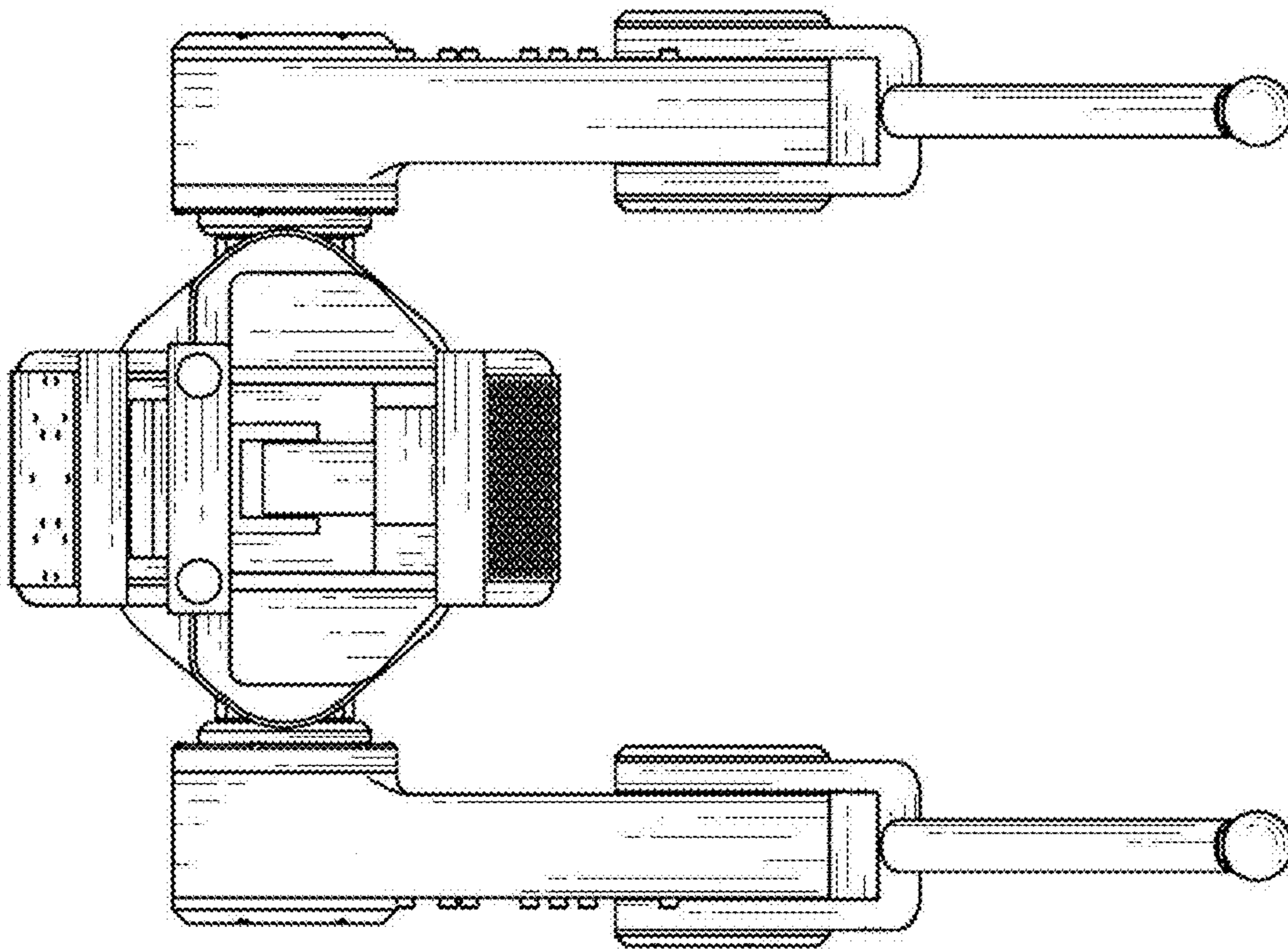


Fig. 2

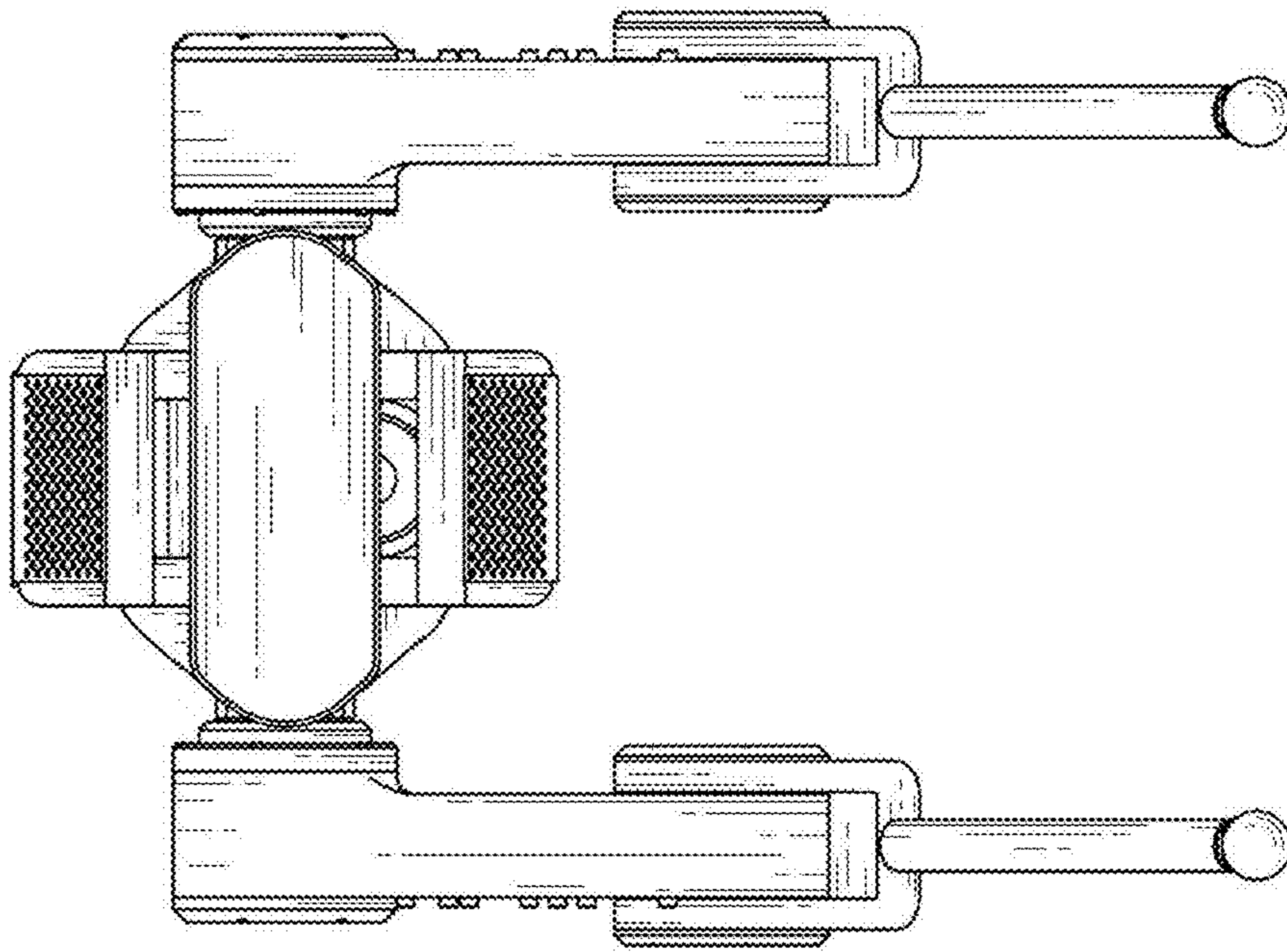


Fig. 3

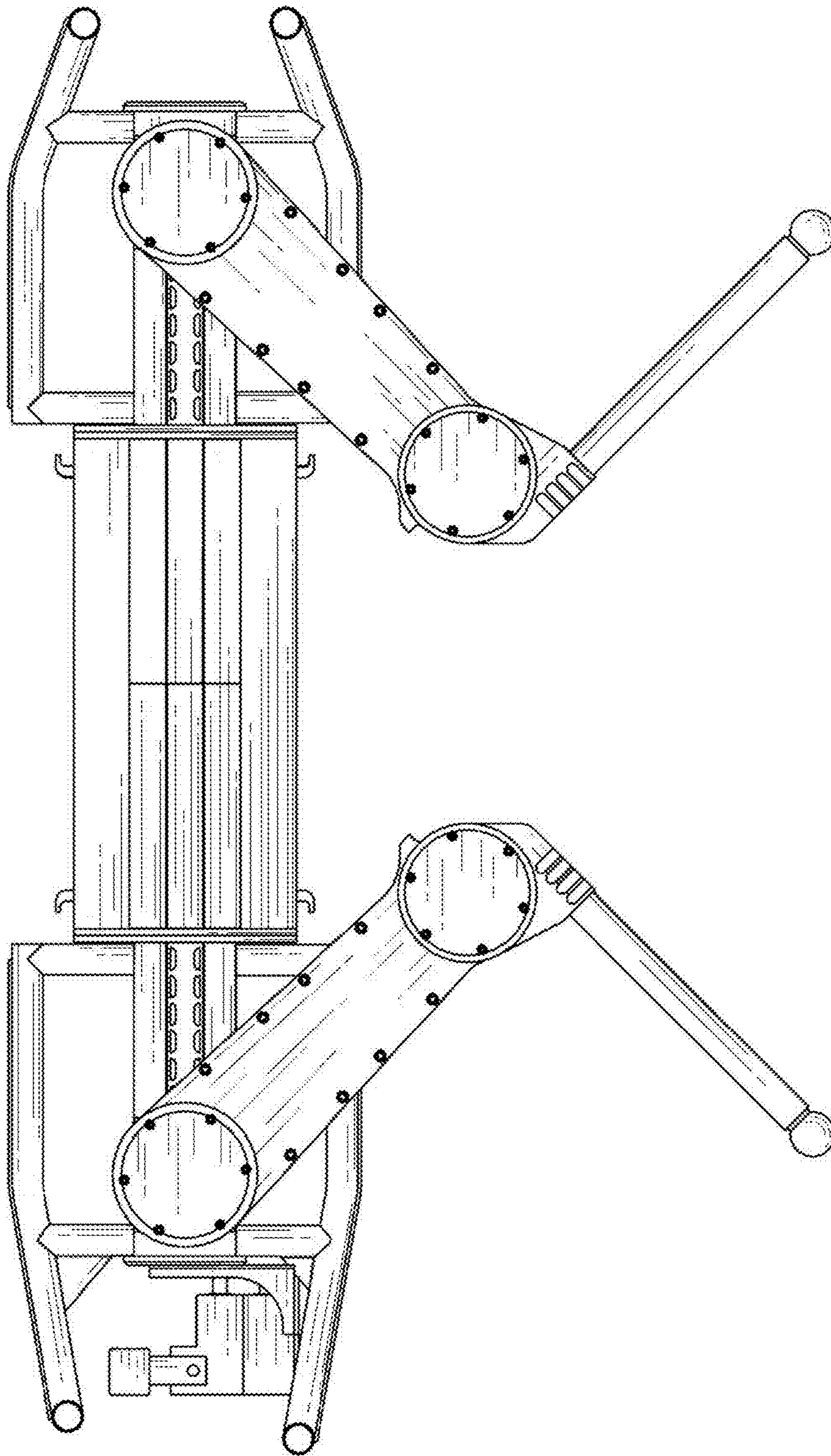


Fig. 4

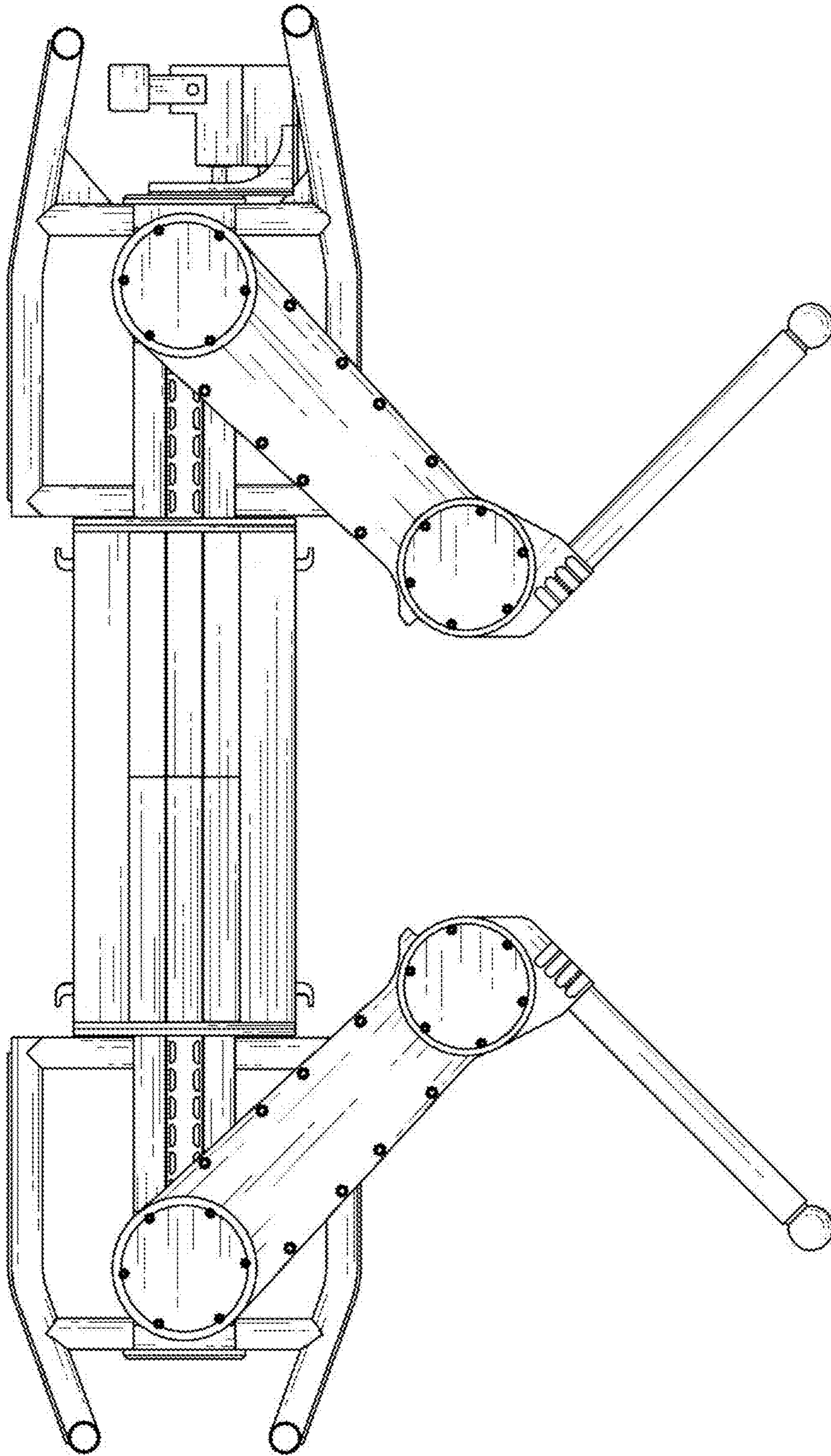


Fig. 5

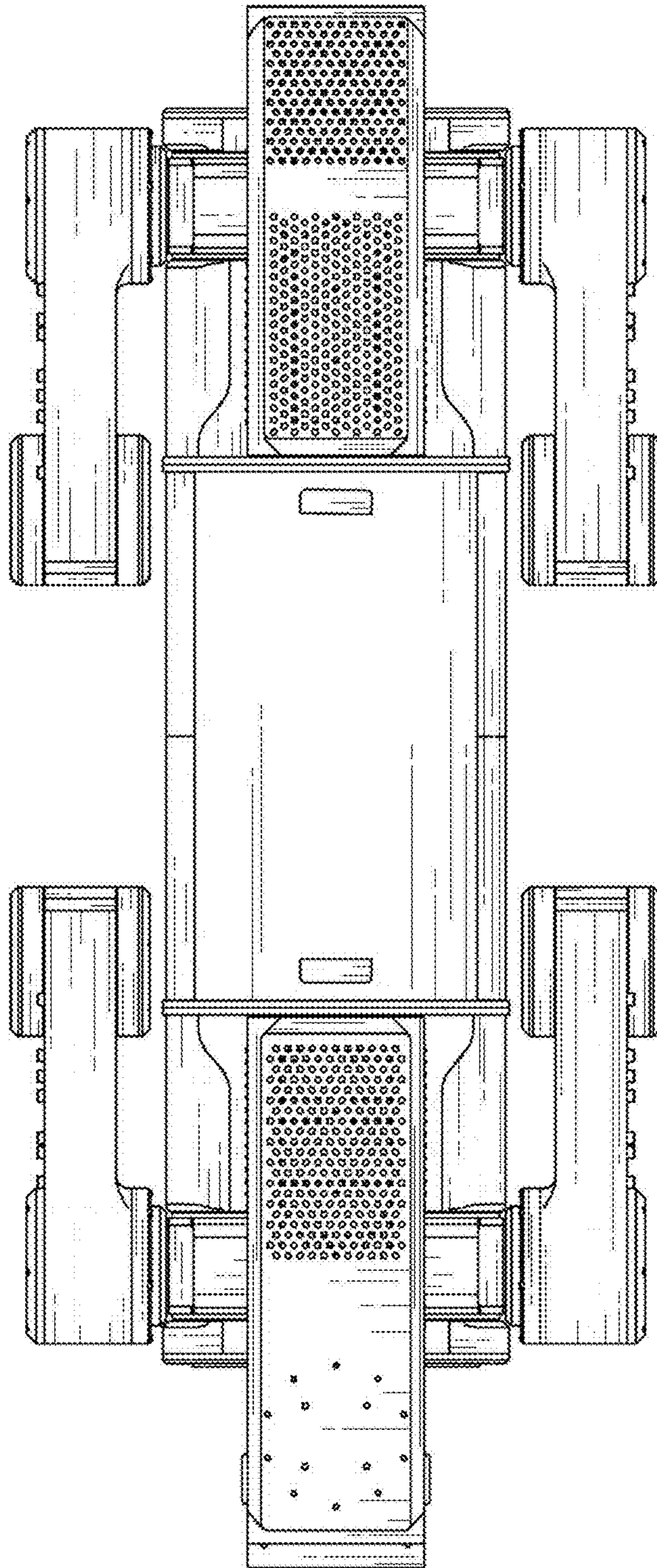


Fig. 6

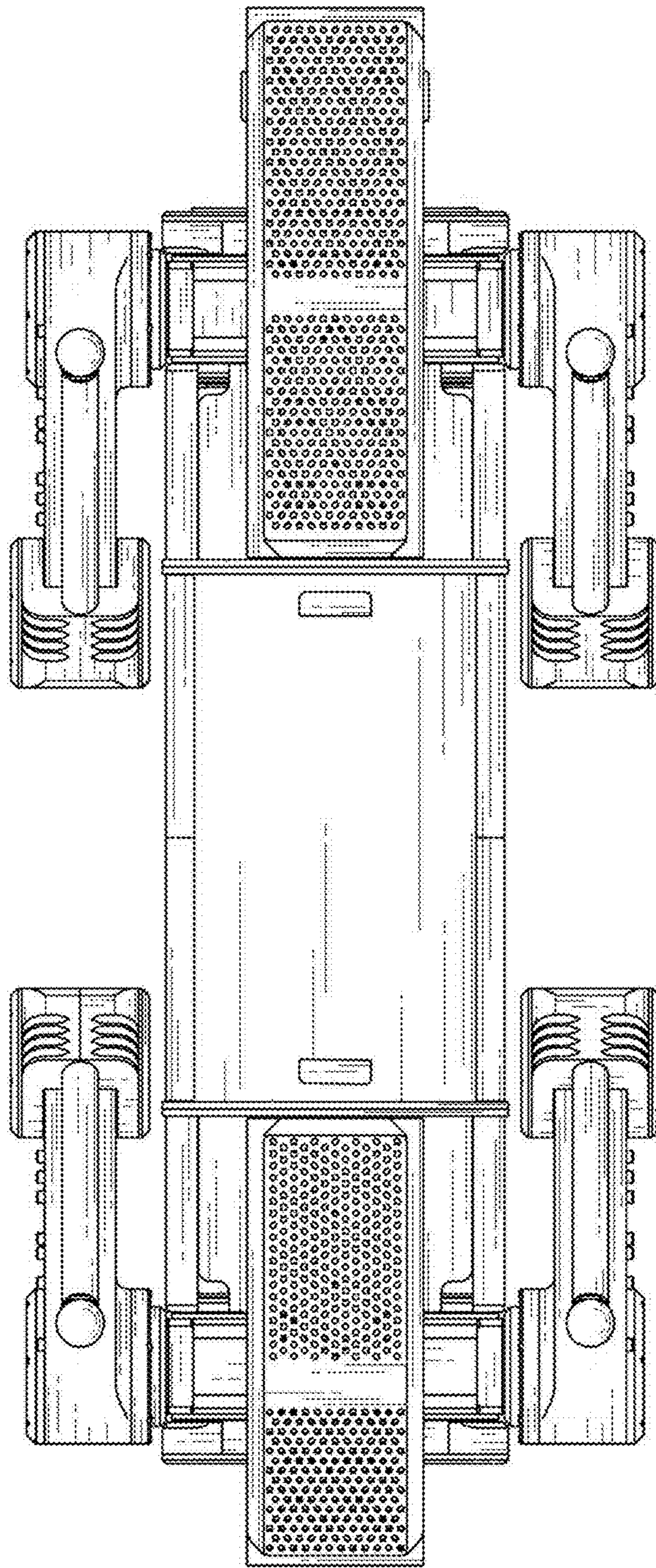


Fig. 7