



US00D783732S

(12) **United States Design Patent**
Nanjo

(10) **Patent No.:** **US D783,732 S**

(45) **Date of Patent:** **** Apr. 11, 2017**

(54) **TOY HOUSE**

(71) Applicant: **Epoch Company, LTD.**, Tokyo (JP)

(72) Inventor: **Takashi Nanjo**, Tokyo (JP)

(73) Assignee: **EPOCH COMPANY, LTD.**, Tokyo (JP)

(**) Term: **15 Years**

(21) Appl. No.: **29/560,401**

(22) Filed: **Apr. 6, 2016**

(30) **Foreign Application Priority Data**

Oct. 30, 2015 (JP) 2015-024230

(51) **LOC (10) Cl.** **21-01**

(52) **U.S. Cl.**
USPC **D21/509**

(58) **Field of Classification Search**
USPC D21/506, 507, 509, 511; D25/1, 10, 32;
D9/636, 637, 640, 433; 434/72, 79, 96,
434/260; 446/69, 75, 110, 476-478, 479
CPC A63H 3/00; A63H 3/52; A63H 33/044;
B65D 81/368; A63B 9/00
See application file for complete search history.

(56) **References Cited**

U.S. PATENT DOCUMENTS

- 243,873 A * 7/1881 Dorn et al. A63H 33/00
446/478
- D311,566 S * 10/1990 Ciganko D21/511
- D312,107 S * 11/1990 Ostberg D21/511
- D390,906 S * 2/1998 Pipik D21/511
- D567,869 S * 4/2008 Petot D20/10

- D683,410 S * 5/2013 Morioka D21/506
- D685,037 S * 6/2013 Akitsu D21/506
- D710,457 S * 8/2014 Kawashima D21/506
- D710,459 S * 8/2014 Kawashima D21/506
- D755,905 S * 5/2016 Sano D21/506
- D757,186 S * 5/2016 Hattori D21/506
- 2006/0014472 A1 * 1/2006 Spielberg A63H 3/52
446/477
- 2007/0224912 A1 * 9/2007 Hughes A63H 3/52
446/476

* cited by examiner

Primary Examiner — Cynthia M Chin

(74) *Attorney, Agent, or Firm* — Fulwider Patton LLP

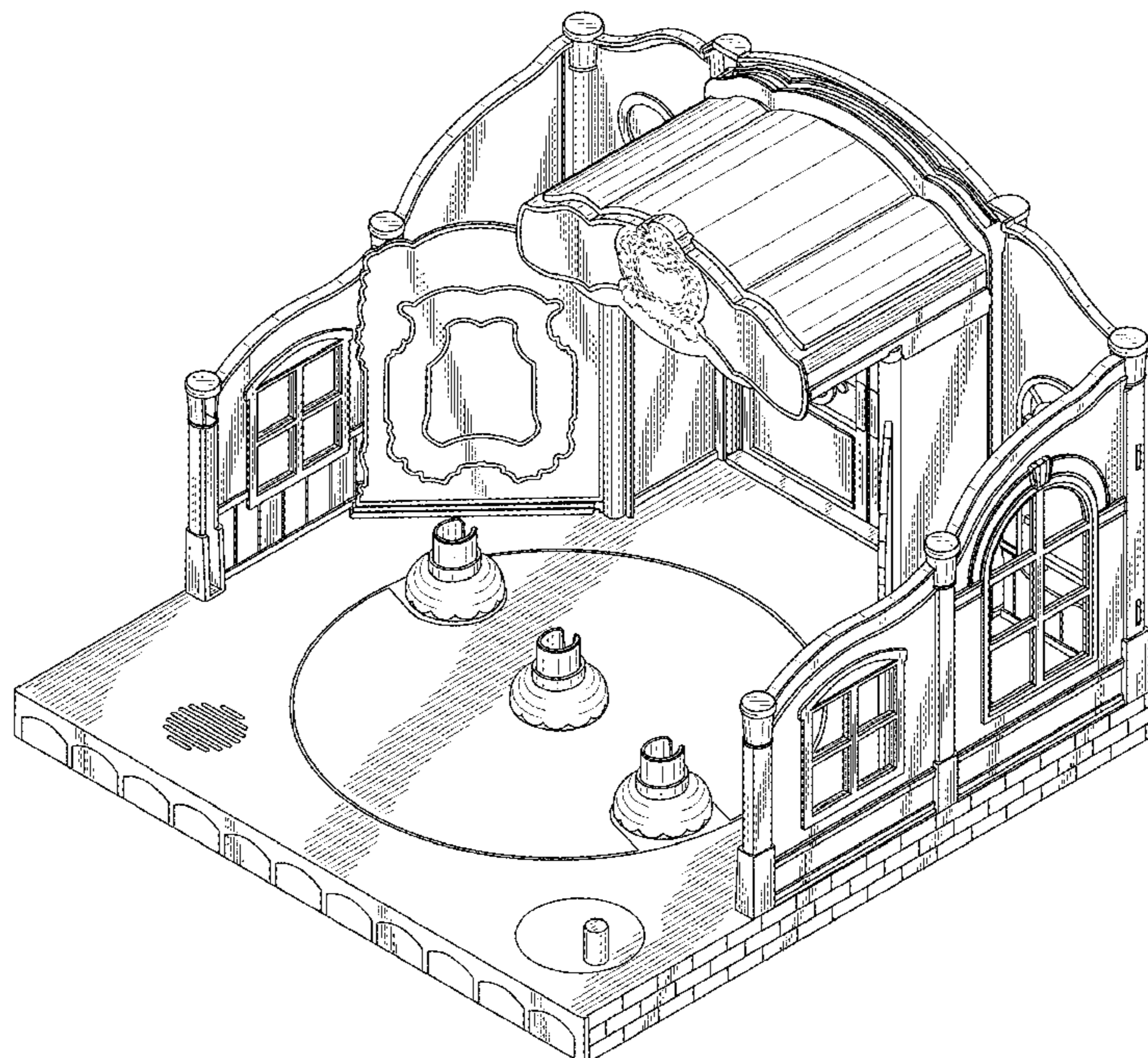
(57) **CLAIM**

The ornamental design for a toy house, as shown and described.

DESCRIPTION

FIG. 1 is a front, perspective view of a toy house unit showing my new design;
 FIG. 2 is a rear perspective view thereof;
 FIG. 3 is a front elevational view thereof;
 FIG. 4 is a rear side elevational view thereof;
 FIG. 5 is a top plan view thereof;
 FIG. 6 is a left side elevational view thereof;
 FIG. 7 is a right side elevational view thereof; and,
 FIG. 8 is a front perspective view of my new design in an alternate configuration.
 The features shown in broken lines with consistent dash lengths illustrate toy house unit ornamentation, features, and/or environment that form no part of the claimed design.

1 Claim, 8 Drawing Sheets



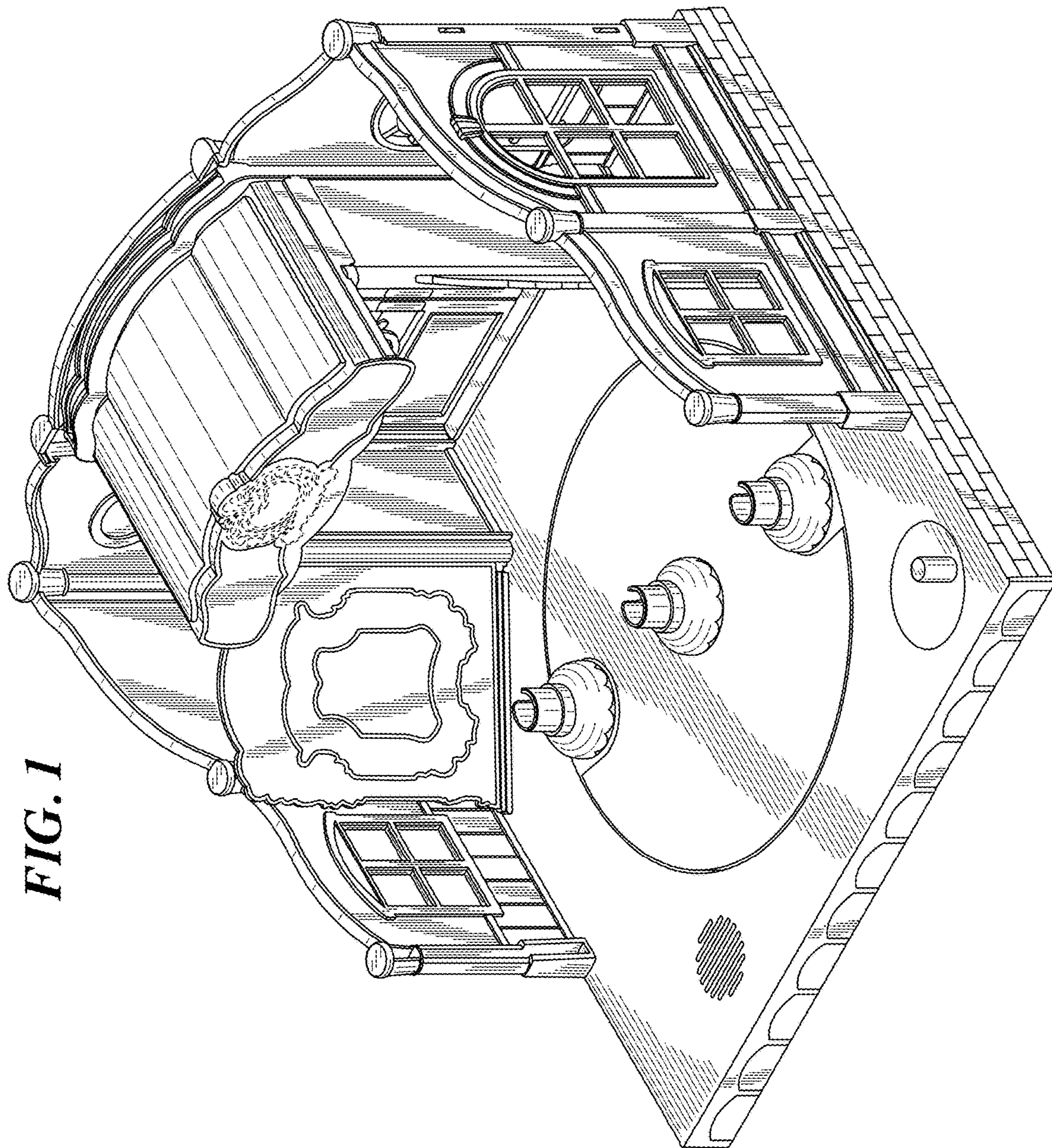


FIG. 1

FIG. 2

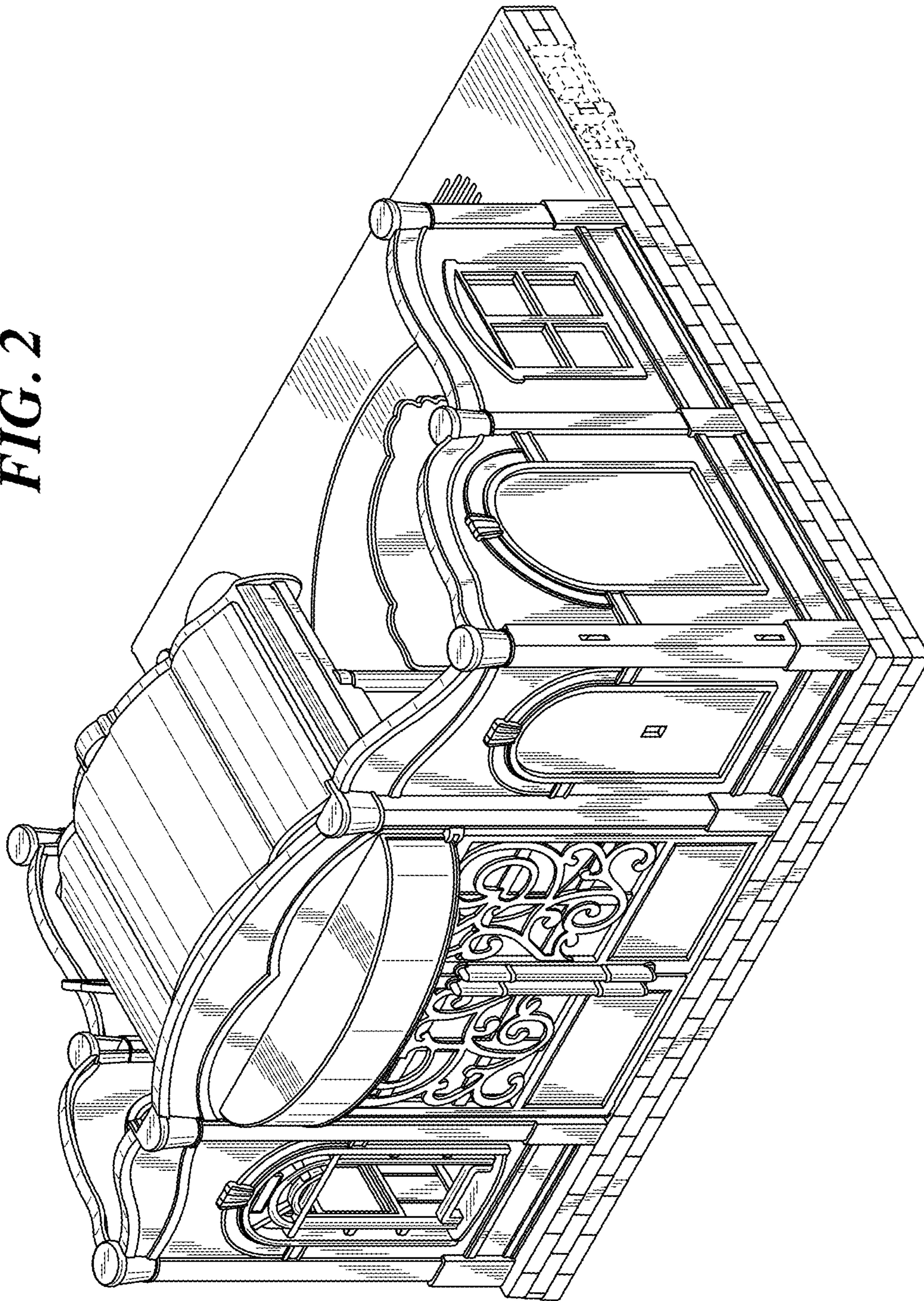


FIG. 3

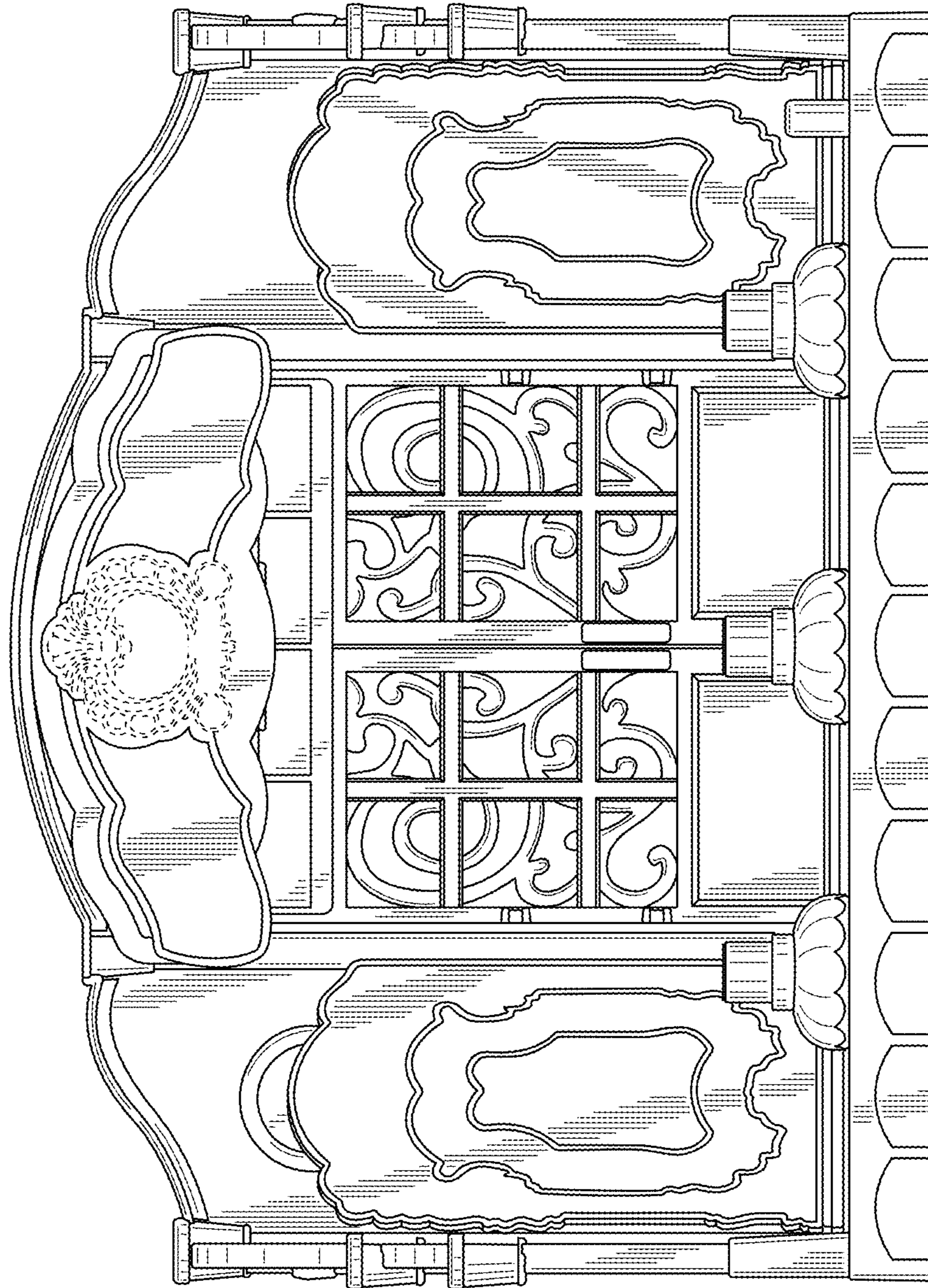


FIG. 4

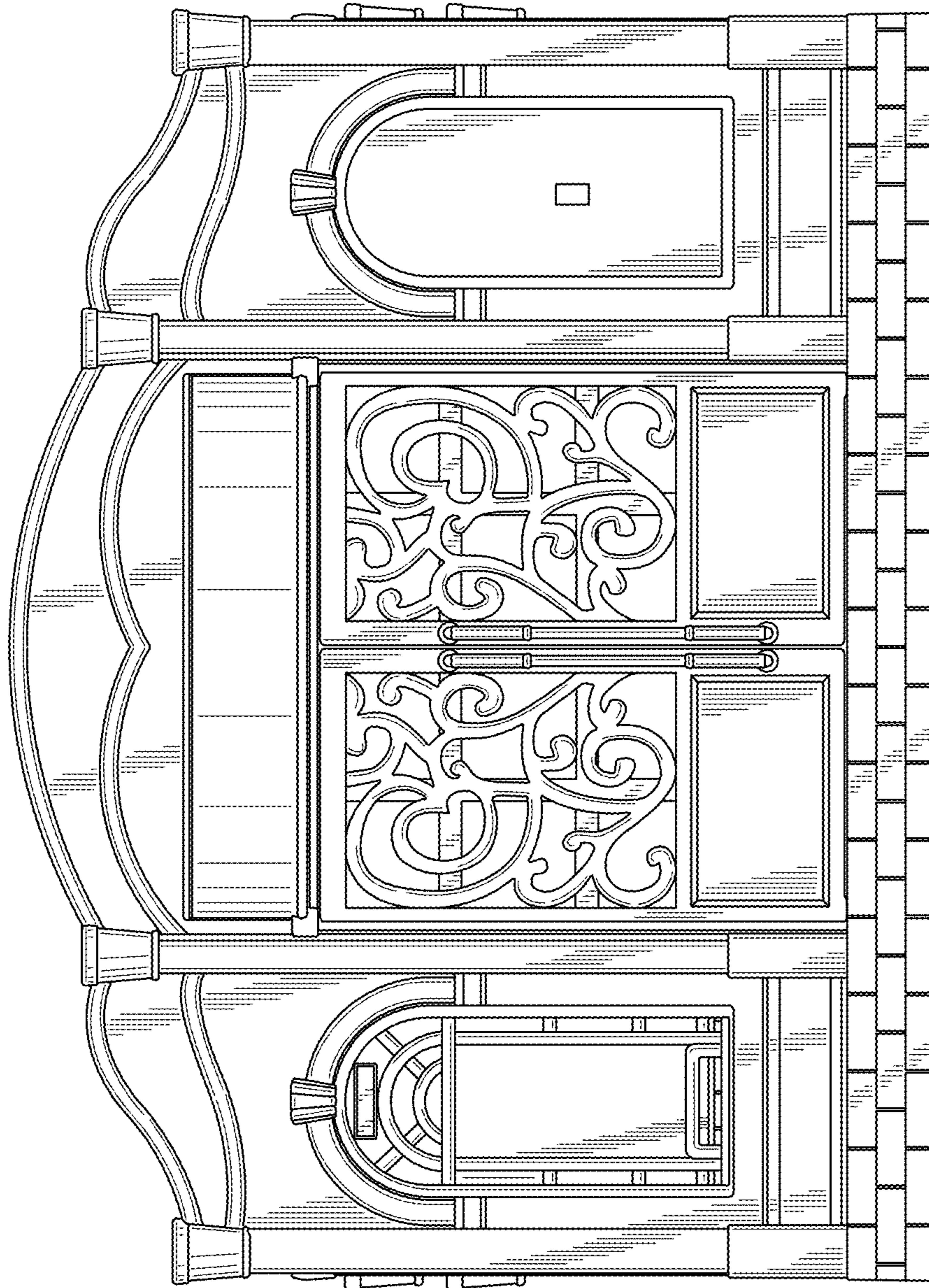


FIG. 5

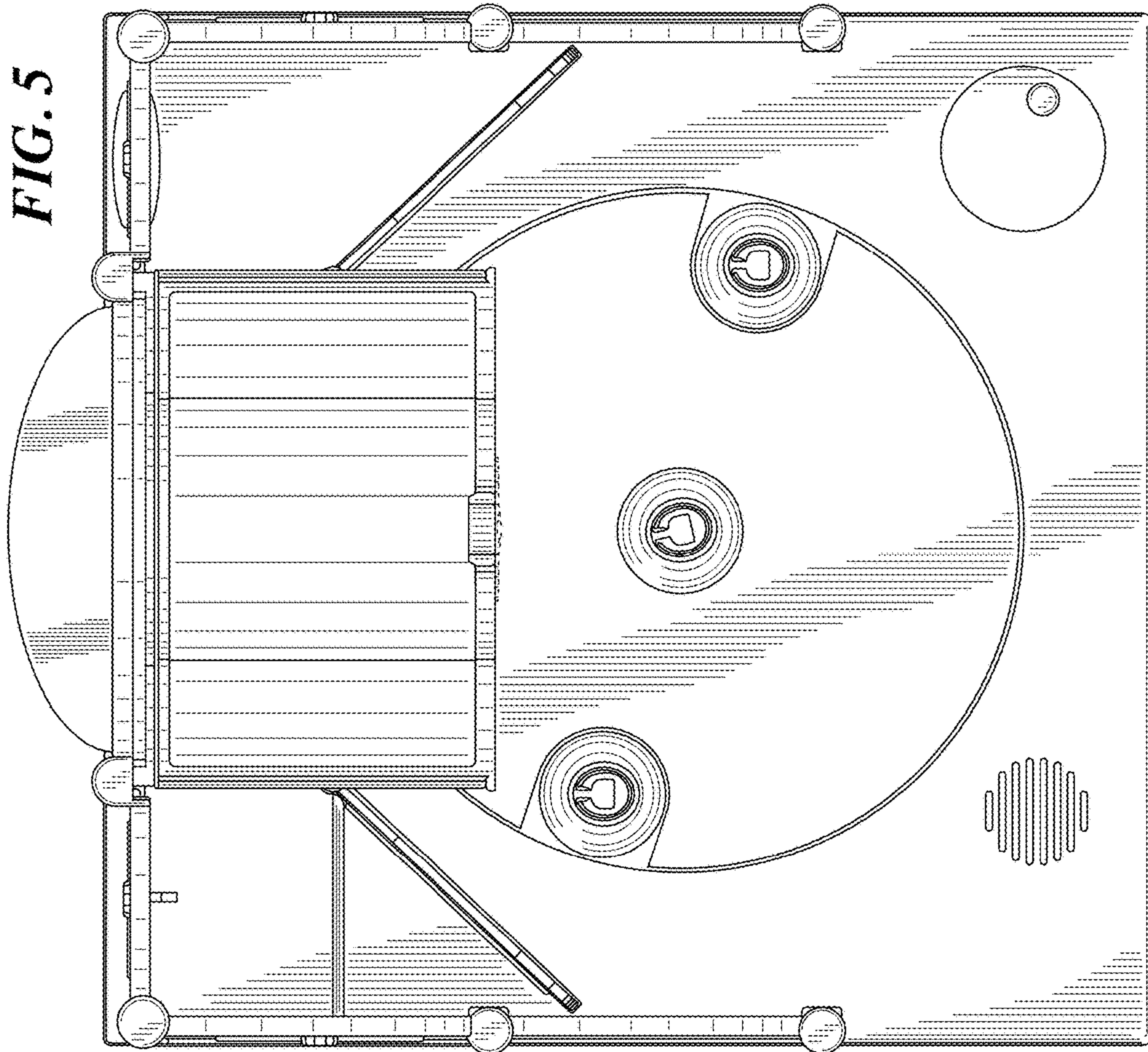


FIG. 6

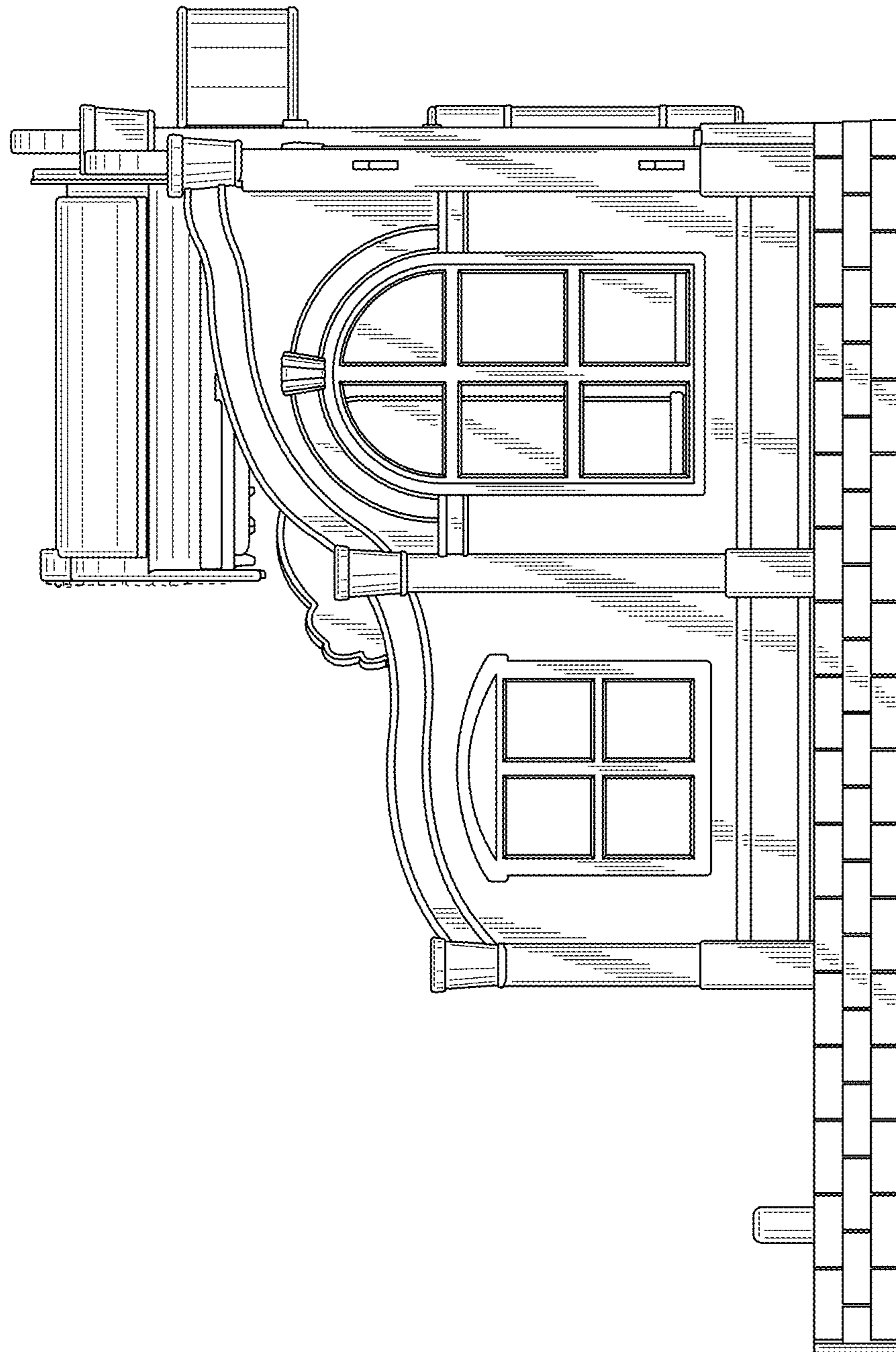
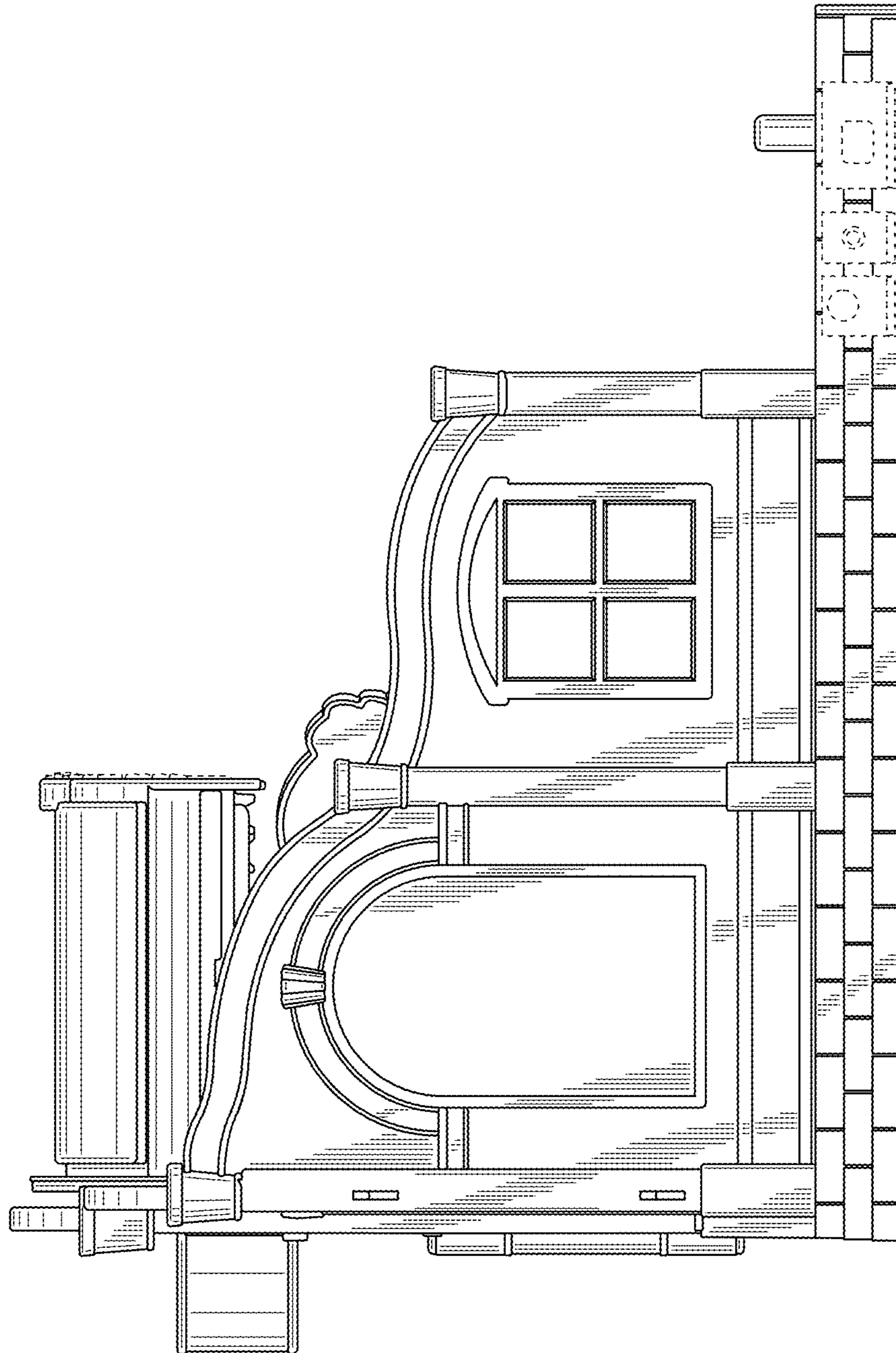


FIG. 7



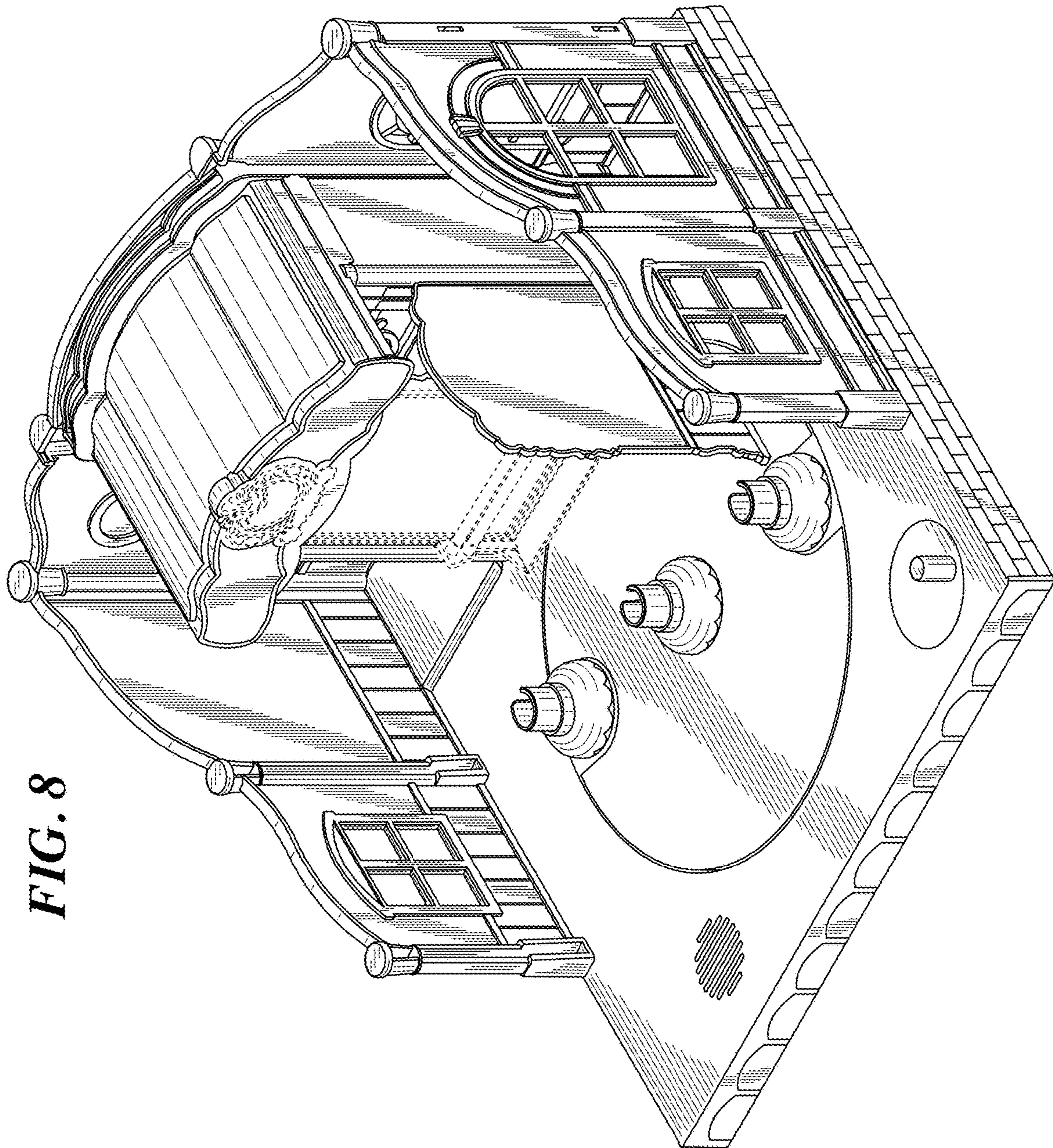


FIG. 8