



US00D783731S

(12) **United States Design Patent**
Rosan

(10) **Patent No.:** **US D783,731 S**

(45) **Date of Patent:** **** Apr. 11, 2017**

(54) **FOOTER FOR A MODULAR SYSTEM**

(71) Applicant: **EverBlock Systems, LLC**, New York, NY (US)

(72) Inventor: **Arnon Rosan**, New York, NY (US)

(73) Assignee: **EverBlock Systems, LLC**, New York, NY (US)

(**) Term: **15 Years**

(21) Appl. No.: **29/556,669**

(22) Filed: **Mar. 2, 2016**

(51) **LOC (10) Cl.** **21-01**

(52) **U.S. Cl.**
USPC **D21/505**; D21/486

(58) **Field of Classification Search**
USPC ... D21/478, 479, 484, 485-505; 446/69, 85,
446/102-128; 434/208, 259, 403;
273/153, 156, 160; 428/174; D8/349,
D8/382
CPC A63H 33/00; A63H 33/04; A63H 33/06;
A63H 33/08; A63H 33/10; A63H 33/12;
A63H 33/14; A63F 9/0608; A63F 9/12;
G09B 1/36

See application file for complete search history.

(56) **References Cited**

U.S. PATENT DOCUMENTS

879,455	A	2/1908	Frost	
D148,930	S	3/1948	Hickman	
3,005,282	A	10/1961	Christiansen	
D194,083	S	11/1962	Brach	
3,162,973	A	12/1964	Godtfred	
3,382,632	A	5/1968	Grofcsik	
4,026,086	A	5/1977	Langley	
D304,042	S	* 10/1989	Poulsen	D21/453
D317,482	S	* 6/1991	Michaelsen	D8/14

5,061,218	A	10/1991	Garage	
D326,874	S	* 6/1992	Dideriksen	D21/486
D331,696	S	* 12/1992	Graham	D26/142
D368,939	S	4/1996	Frederiksen	
D376,281	S	12/1996	Robertson	
D378,837	S	4/1997	Olsen	
D387,431	S	12/1997	Tremblay	
D391,110	S	2/1998	Graebe	
5,833,386	A	11/1998	Rosan	
D409,676	S	* 5/1999	Toft	D21/486
D416,143	S	11/1999	Ragan	

(Continued)

OTHER PUBLICATIONS

Lego Classic website, May 31, 2016, (1 page).

(Continued)

Primary Examiner — Cynthia M Chin

(74) *Attorney, Agent, or Firm* — Metz Lewis Brodman
Must O'Keefe LLC

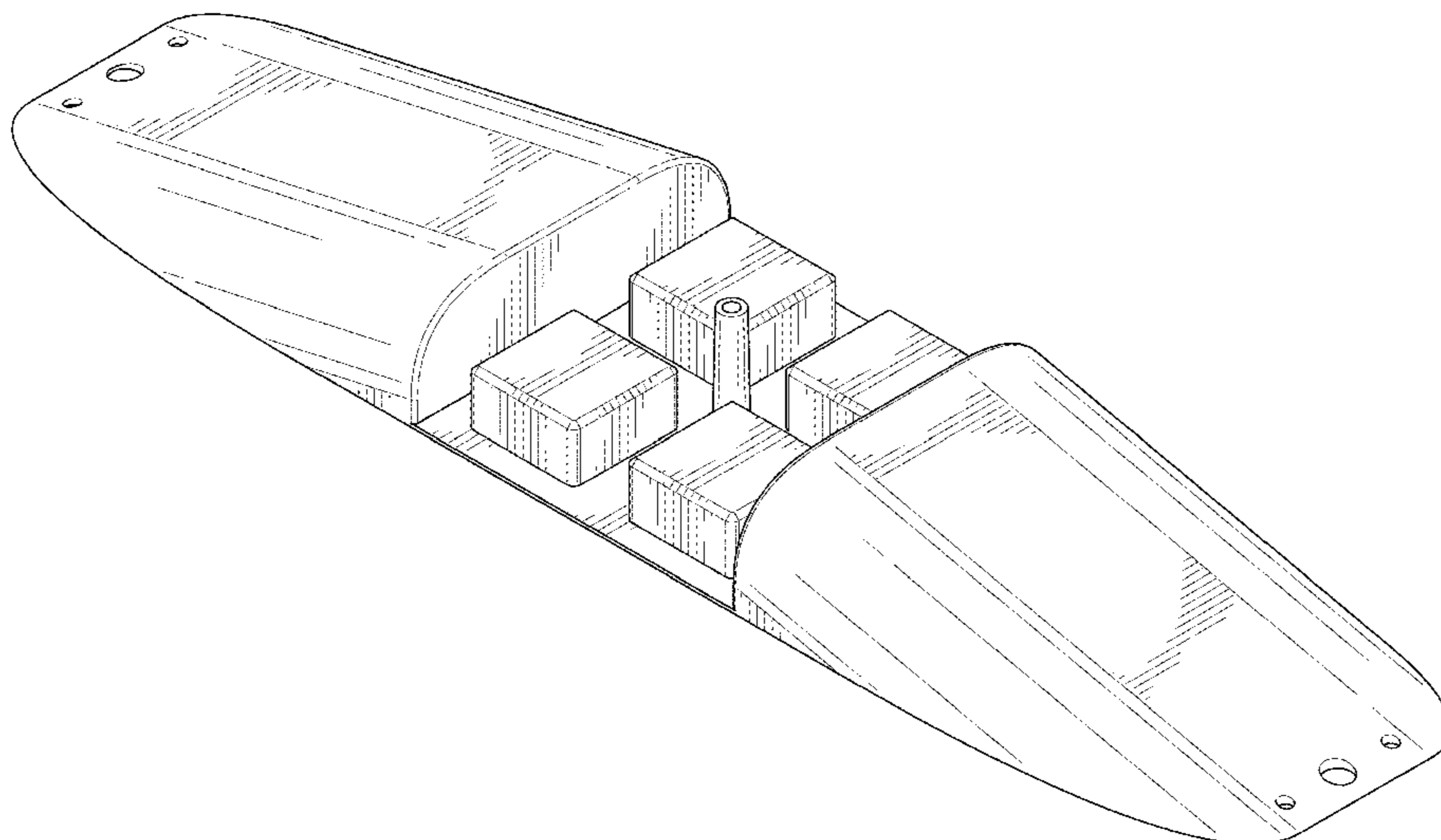
(57) **CLAIM**

The ornamental design for a footer for a modular system, as shown and described.

DESCRIPTION

FIG. 1 is a perspective view of the footer;
FIG. 2 is a right side elevation of the footer of FIG. 1, with the left side elevation being the same;
FIG. 3 is a front elevation of the footer of FIG. 1, with the back elevation being the same;
FIG. 4 is a top plan view of the footer of FIG. 1;
FIG. 5 is a bottom plan of the footer of FIG. 1;
FIG. 6 is a cross-sectional view of the footer taken across line 6-6 from FIG. 4; and,
FIG. 7 is a cross-sectional view of the footer taken across line 7-7 from FIG. 4.

1 Claim, 5 Drawing Sheets



(56)

References Cited

U.S. PATENT DOCUMENTS

D426,933	S	6/2000	Redfern	
6,200,187	B1 *	3/2001	Olsen	A63H 33/04 446/120
D445,148	S	7/2001	McIntosh	
D449,170	S	10/2001	Kim	
D457,971	S	5/2002	Schrader	
D552,190	S *	10/2007	Glickman	D21/505
D581,553	S	11/2008	Cooper	
D652,952	S	1/2012	Angel	
D686,676	S	7/2013	Telford	
D689,954	S *	9/2013	Rya	D21/486
D695,534	S	12/2013	Matasovi	
D717,379	S	11/2014	Deutsch	
D724,760	S	3/2015	Saunders	
9,187,895	B2	11/2015	Rodriguez Carassus	
D746,605	S	1/2016	Matasovic	
D748,415	S	2/2016	De Roeck	
D751,153	S	3/2016	Lacroix et al.	
D753,774	S	4/2016	Proulx et al.	

OTHER PUBLICATIONS

Mega Bloks website, May 31, 2016, (1 page).
 United States Patent and Trademark Office; Office Action; Office Action from U.S. Appl. No. 29/556,698; copyright and mailing date Jan. 10, 2017; pp. 1-8; publisher United States Patent and Trademark Office; published Alexandria, Virginia, USA; copyright and mailing date Jan. 10, 2017; copy enclosed (8 pages).
 United States Patent and Trademark Office; Office Action; Office Action from U.S. Appl. No. 29/556,648; copyright and mailing date Jan. 10, 2017; pp. 1-14; publisher United States Patent and Trademark Office; published Alexandria, Virginia, USA; copyright and mailing date Jan. 10, 2017; copy enclosed (14 pages).

* cited by examiner

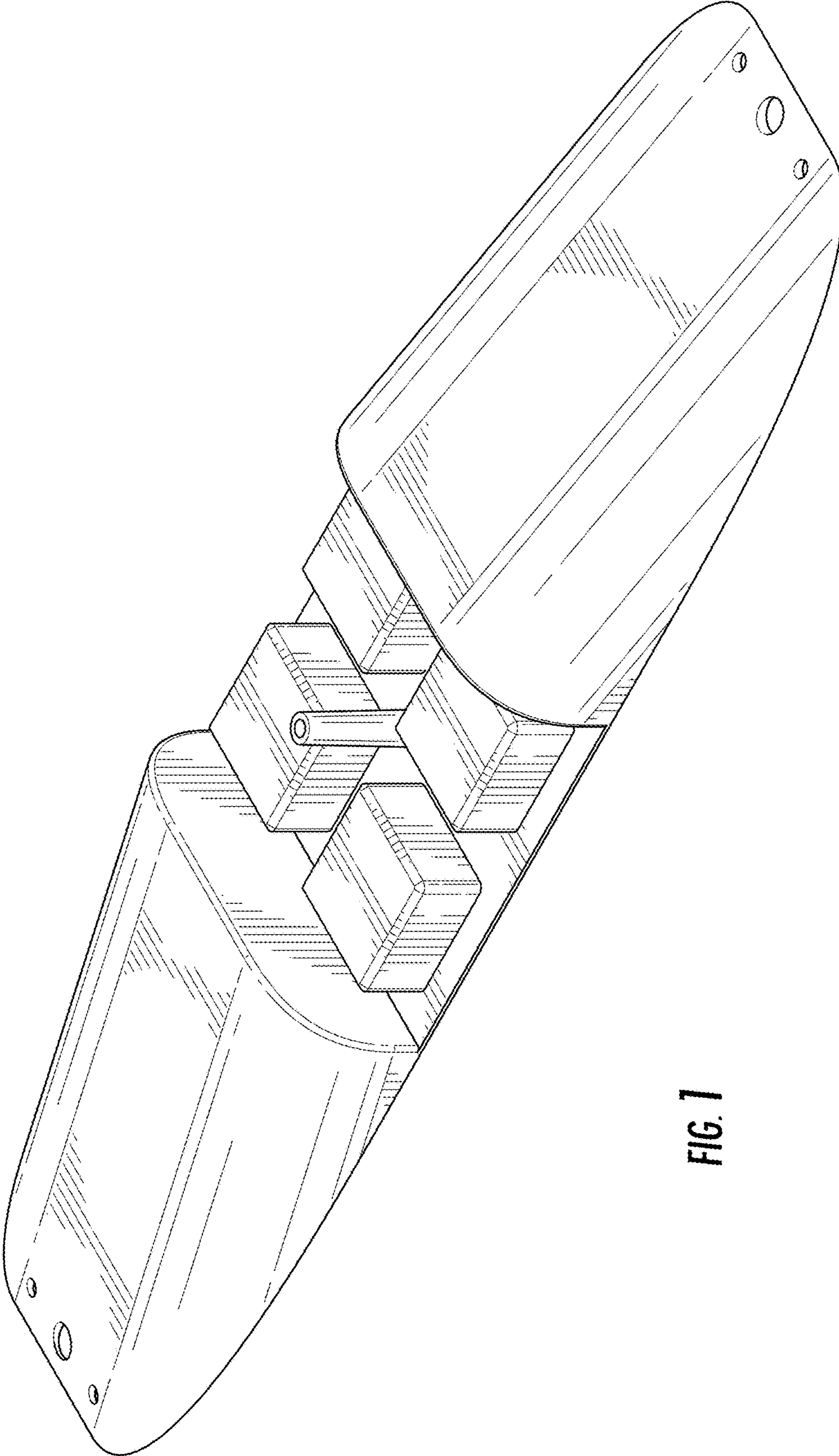


FIG. 1

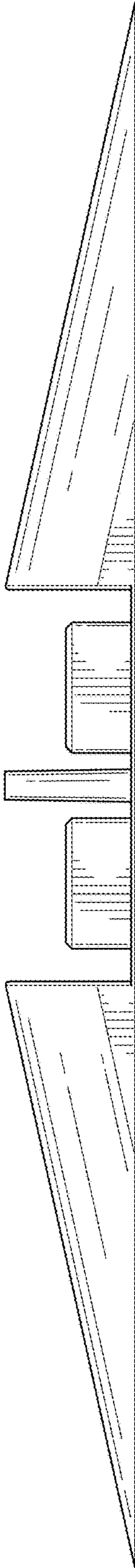


FIG. 2



FIG. 3

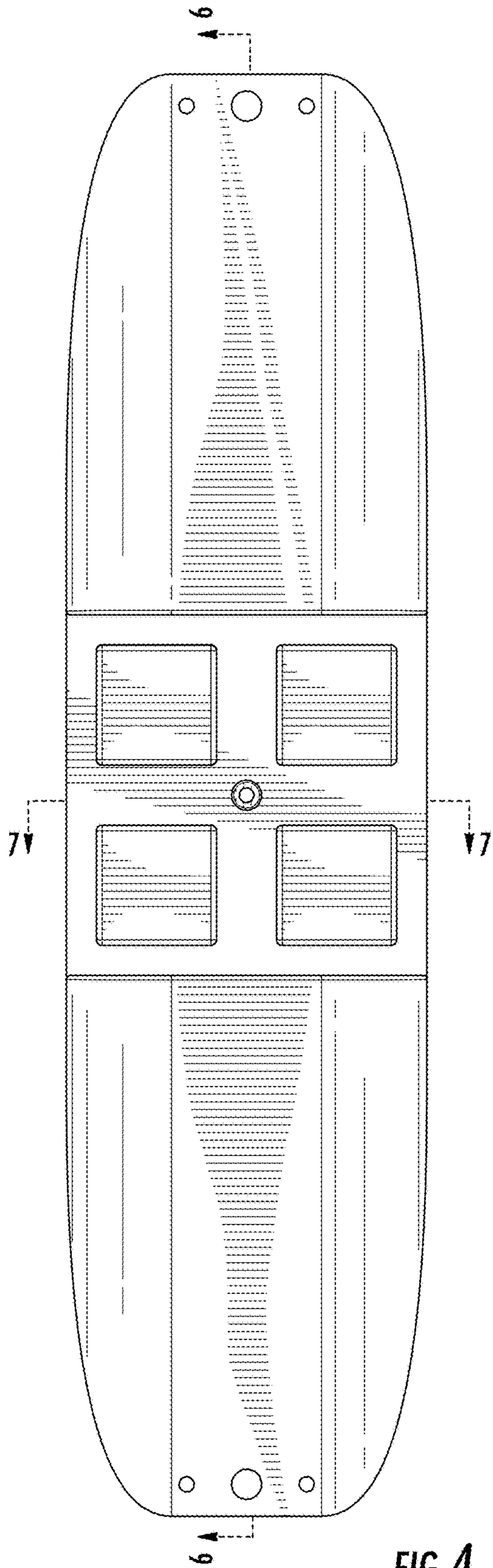


FIG. 4

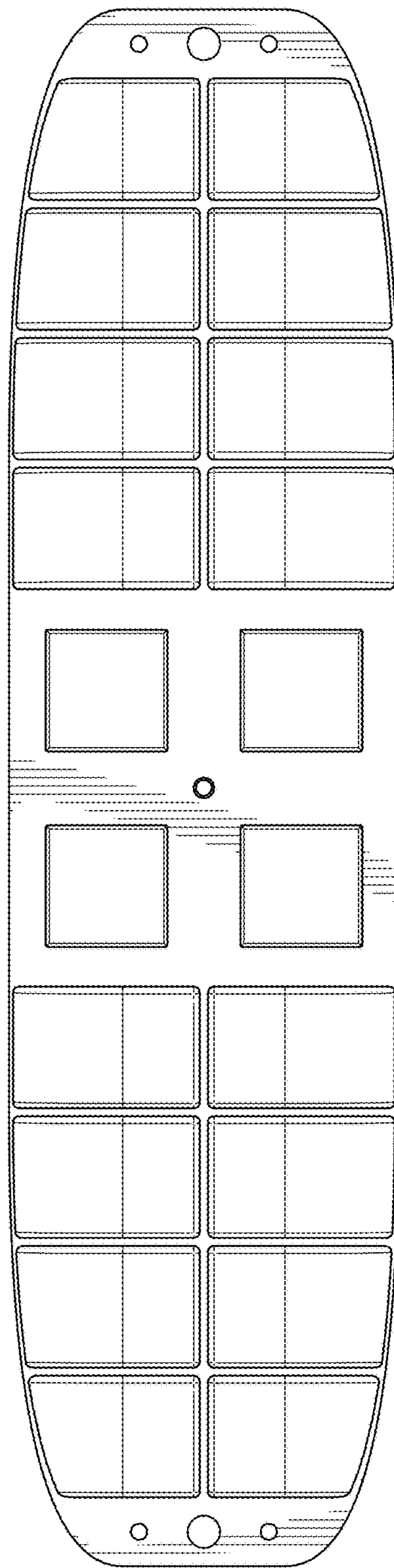


FIG. 5

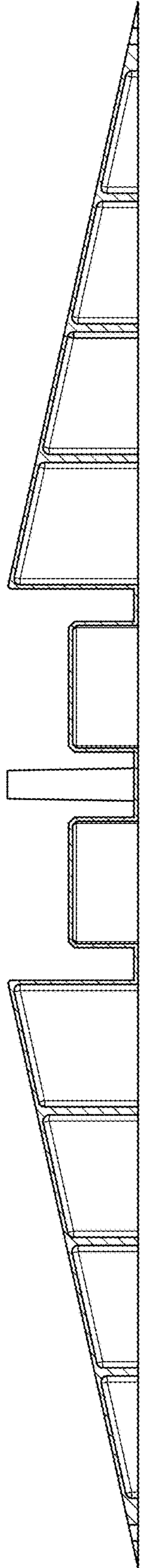


FIG. 6

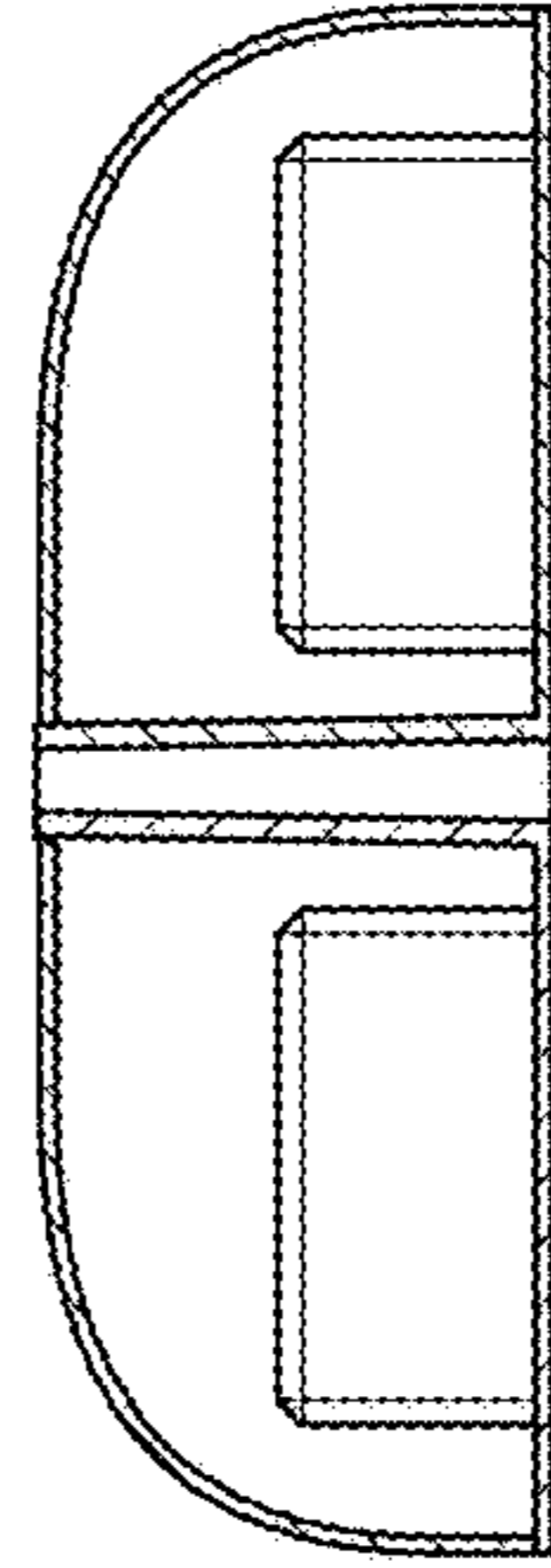


FIG. 7