



US00D783730S

(12) **United States Design Patent**  
**Sprague**

(10) **Patent No.:** **US D783,730 S**

(45) **Date of Patent:** **\*\* Apr. 11, 2017**

- (54) **BLOCK PIECE FROM TOY SET**
- (71) Applicant: **Gary Sprague**, Grover Beach, CA (US)
- (72) Inventor: **Gary Sprague**, Grover Beach, CA (US)
- (\*\*) Term: **15 Years**
- (21) Appl. No.: **29/565,524**
- (22) Filed: **May 20, 2016**
- (51) **LOC (10) Cl.** ..... **21-01**
- (52) **U.S. Cl.**  
USPC ..... **D21/486**
- (58) **Field of Classification Search**  
USPC ..... D21/484, 485, 486, 488, 489, 491, 494,  
D21/495, 499, 500-504; 446/69, 85,  
446/102-128; 434/208, 259, 403;  
273/153, 156, 160  
CPC ..... A63H 33/00; A63H 33/04; A63H 33/042;  
A63H 33/06; A63H 33/08; A63H 33/10;  
A63H 33/12; A63H 33/14; A63F 9/08;  
A63F 9/12; G09B 1/36  
See application file for complete search history.

- 5,846,114 A \* 12/1998 Frandsen, II ..... E04H 17/1404  
446/106
- D426,588 S \* 6/2000 Glickman ..... D21/486
- 6,189,271 B1 \* 2/2001 Christensen ..... E04B 2/702  
446/106
- D564,044 S \* 3/2008 Rolf ..... D21/486
- D757,184 S \* 5/2016 Balanchi ..... D21/404
- D757,861 S \* 5/2016 Ryaa ..... D21/484
- D765,797 S \* 9/2016 Banik ..... D21/484

\* cited by examiner

*Primary Examiner* — Cynthia M Chin

(74) *Attorney, Agent, or Firm* — Michael N Cohen;  
Cohen IP Law Group PC

(57) **CLAIM**

I claim the ornamental design for a block piece from toy set, as shown and described.

**DESCRIPTION**

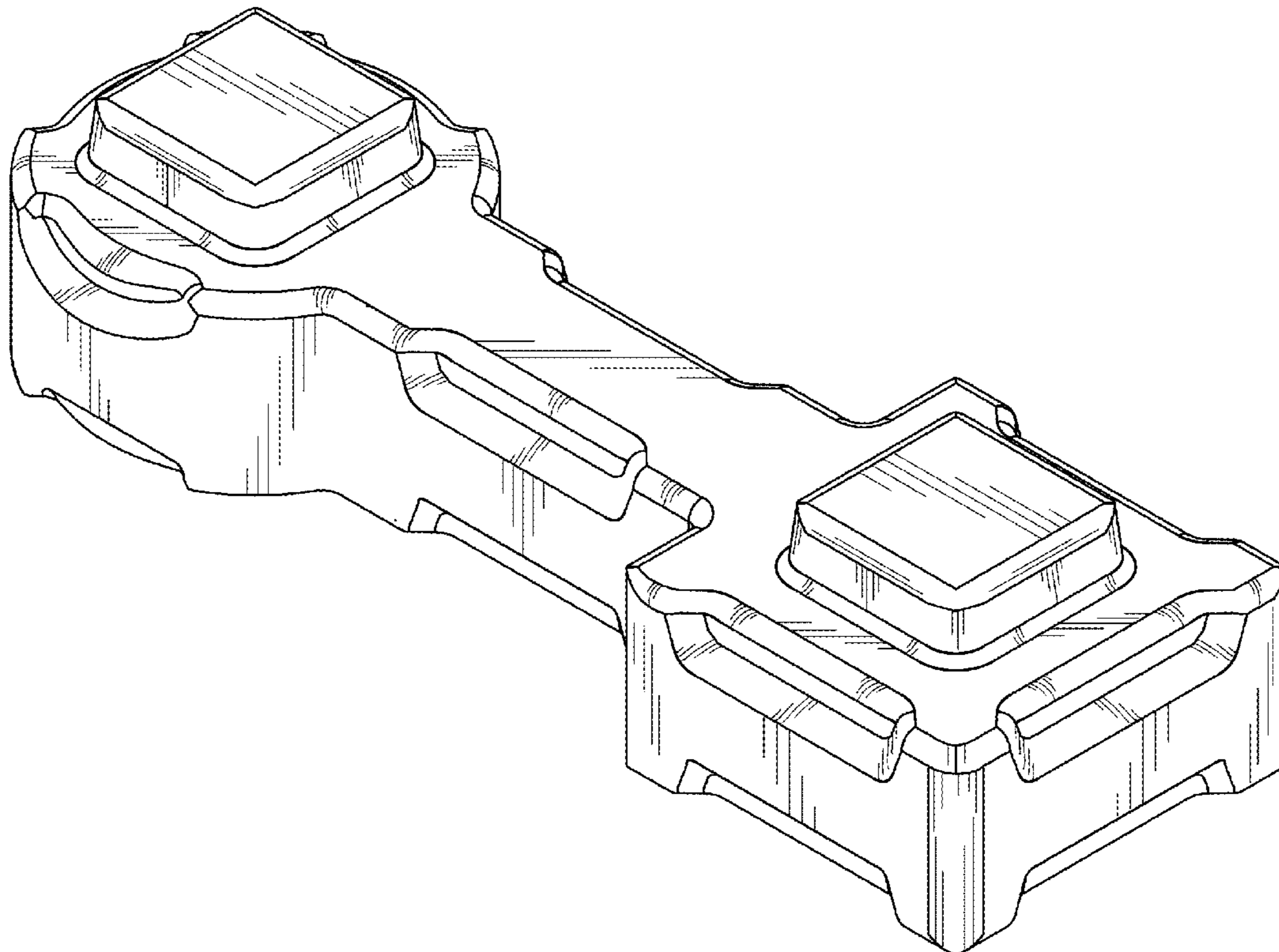
FIG. 1 is a top perspective view of the block piece from toy set;  
FIG. 2 is a bottom perspective view of FIG. 1;  
FIG. 3 is a top view of FIG. 1;  
FIG. 4 is a bottom view of FIG. 1;  
FIG. 5 is a front view of FIG. 1;  
FIG. 6 is a right side view of FIG. 1; and,  
FIG. 7 is a left side view of FIG. 1.

**1 Claim, 5 Drawing Sheets**

(56) **References Cited**

**U.S. PATENT DOCUMENTS**

- D241,310 S \* 9/1976 Bolt ..... D21/486
- D260,790 S \* 9/1981 Gabriel ..... D21/486
- D290,721 S \* 7/1987 Ryaa ..... D21/484
- D297,954 S \* 10/1988 Bertrand ..... D21/486



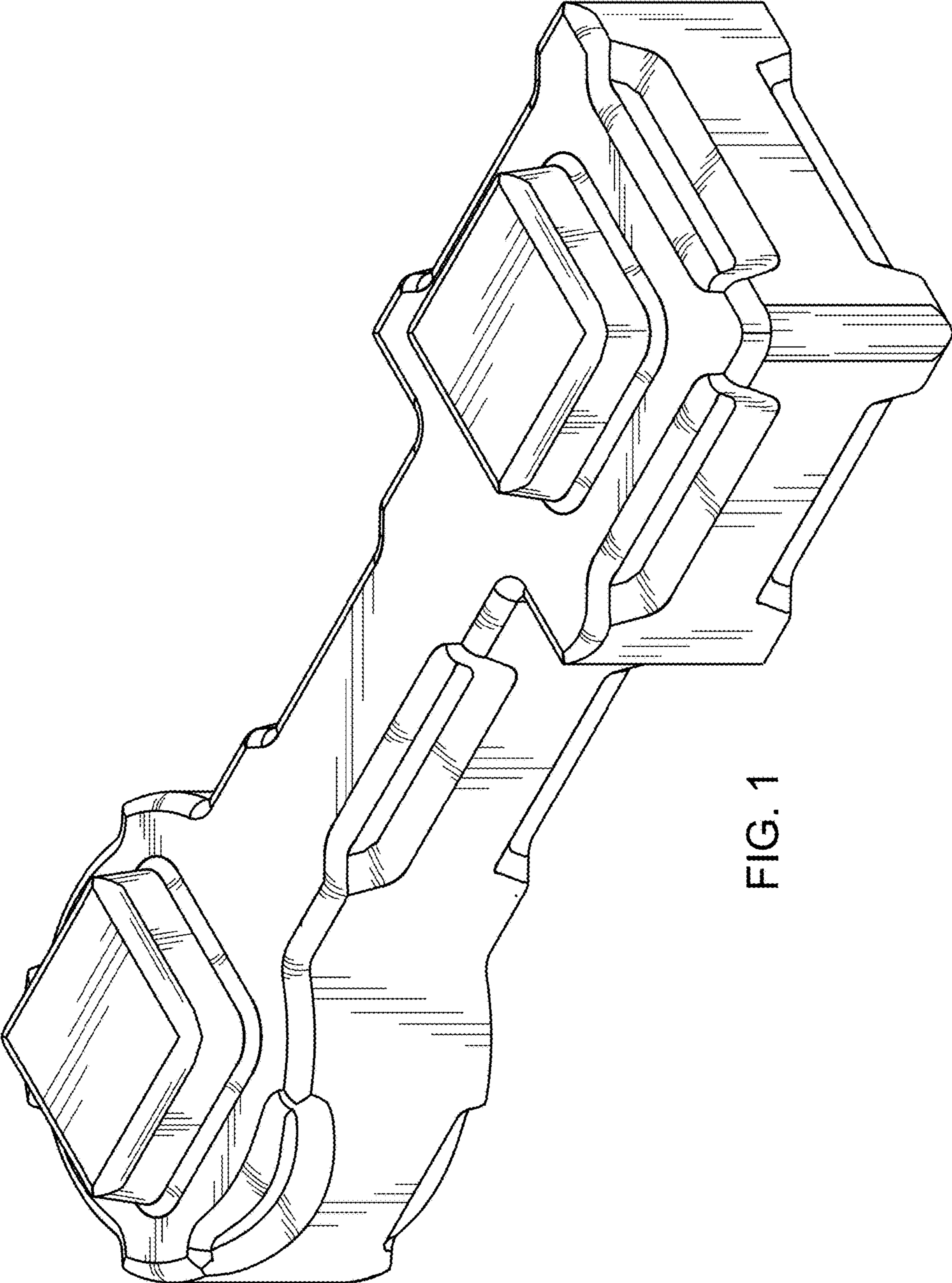


FIG. 1

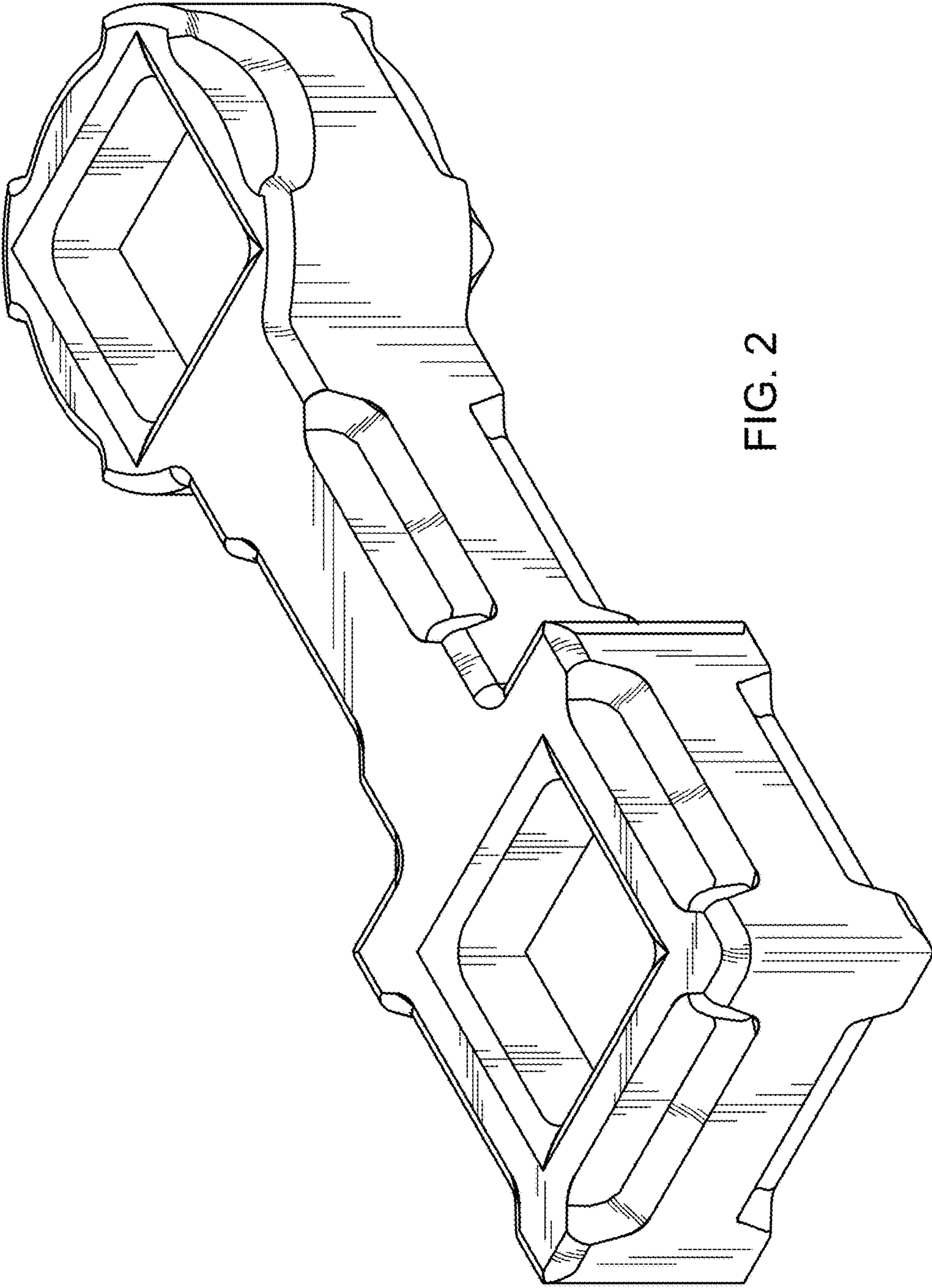


FIG. 2

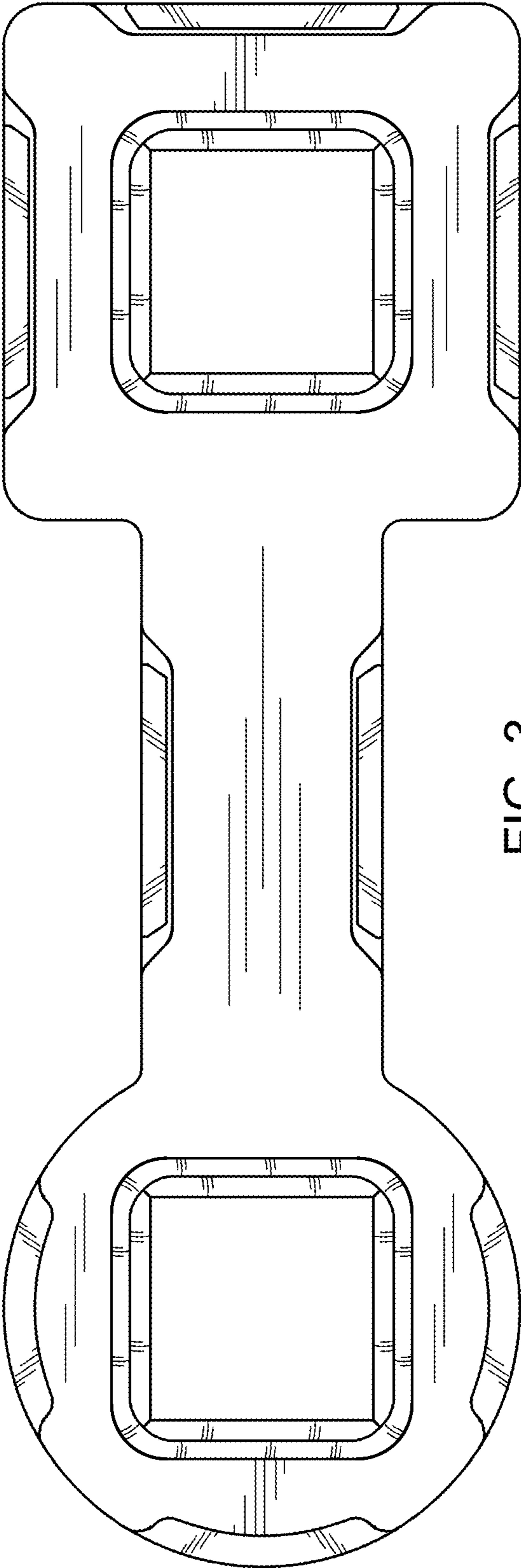


FIG. 3



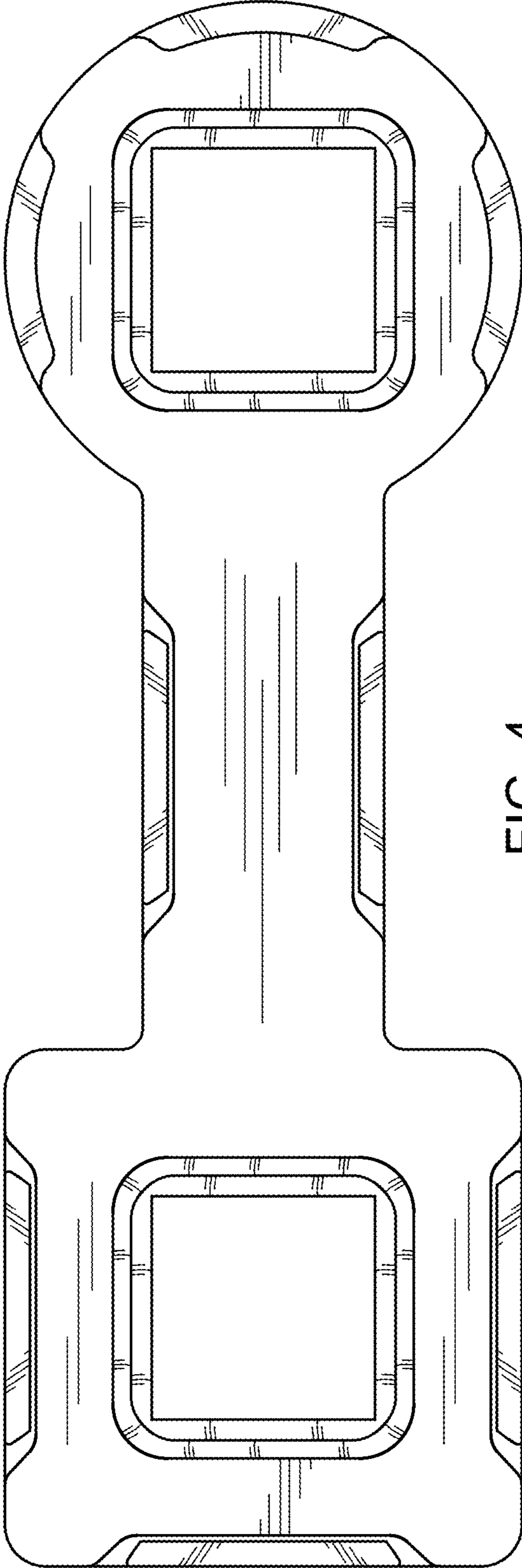


FIG. 4

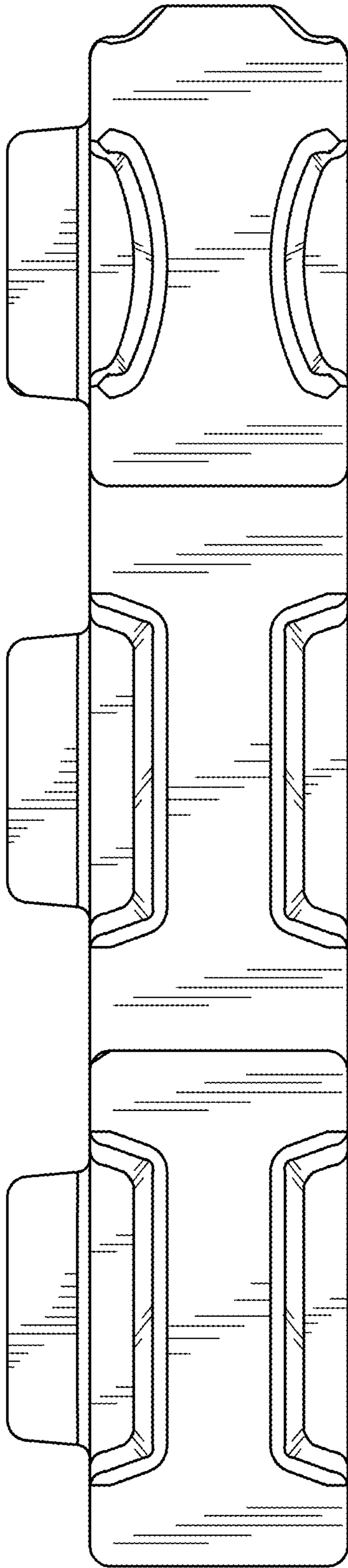


FIG. 5

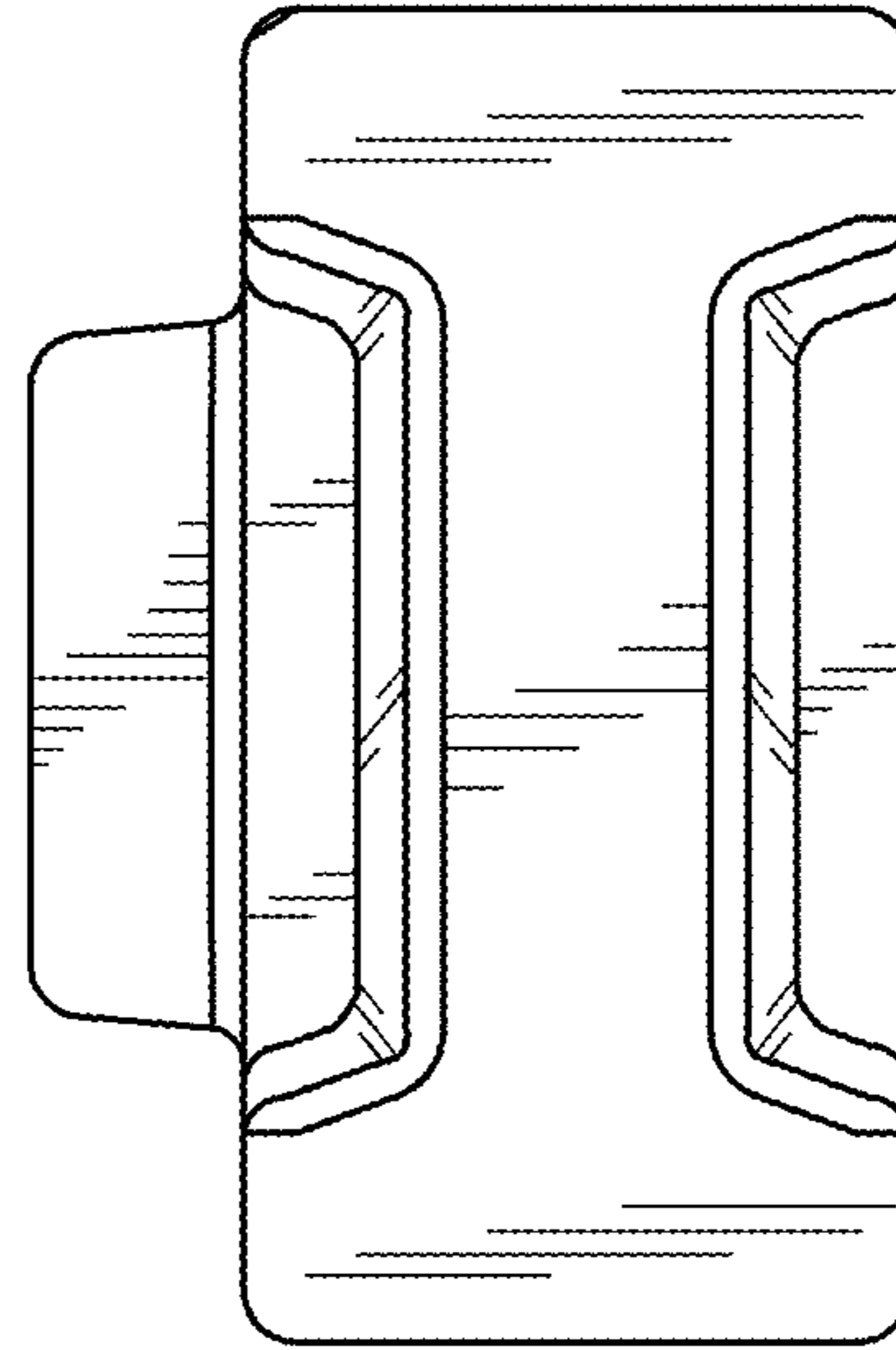


FIG. 7

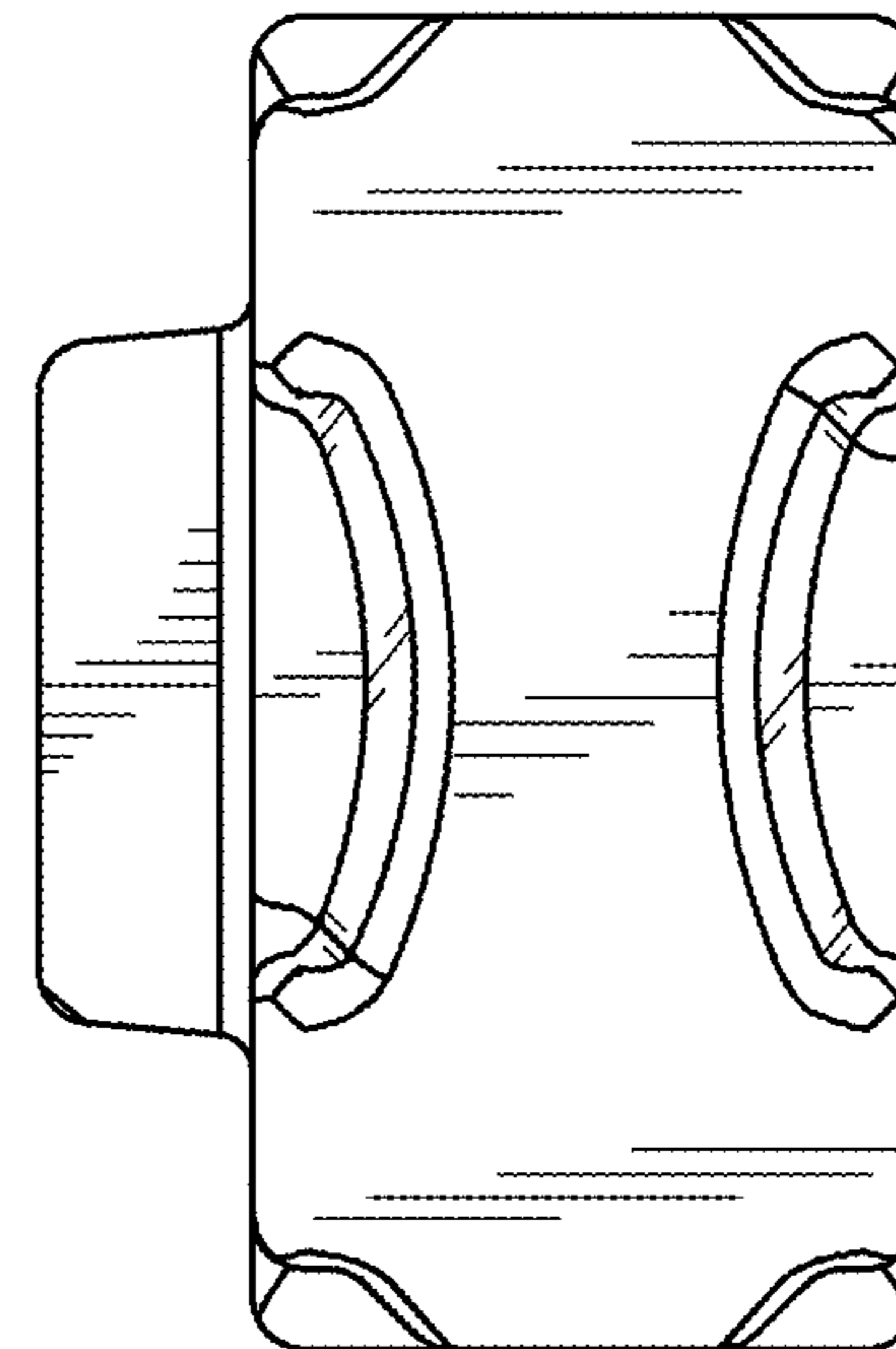


FIG. 6