



US00D783727S

(12) **United States Design Patent**
Xiao

(10) **Patent No.:** **US D783,727 S**
(45) **Date of Patent:** **** Apr. 11, 2017**

- (54) **TOY AIRCRAFT**
- (71) Applicant: **Guangdong Syma Model Aircraft Industrial Co., Ltd**, Shantou, Guangdong (CN)
- (72) Inventor: **Jiongliang Xiao**, Guangdong (CN)
- (73) Assignee: **GUANGDONG SYMA MODEL AIRCRAFT INDUSTRIAL CO., LTD**, Shantou (CN)
- (**) Term: **15 Years**
- (21) Appl. No.: **29/560,347**
- (22) Filed: **Apr. 6, 2016**
- (51) **LOC (10) Cl.** **21-01**
- (52) **U.S. Cl.**
USPC **D21/441**
- (58) **Field of Classification Search**
USPC D12/16.1, 319–345; D21/436, 441–444, D21/446–453
CPC B64C 1/062; B64C 39/024; B64C 27/08; B64C 29/00; B64C 39/00; B64C 23/00
See application file for complete search history.

(56) **References Cited**

U.S. PATENT DOCUMENTS

D189,462 S *	12/1960	Vogt	D12/329
5,082,079 A *	1/1992	Lissaman	B64C 27/20 180/118
D648,809 S *	11/2011	Seydoux	D21/441
D710,452 S *	8/2014	Barajas	D12/16.1
D710,453 S *	8/2014	Barajas	D12/16.1
D710,454 S *	8/2014	Barajas	D12/16.1
D741,751 S *	10/2015	Klaptocz	D12/16.1
D745,435 S *	12/2015	Park	D12/16.1
9,233,754 B1 *	1/2016	Wang	B64C 39/024
D756,842 S *	5/2016	Ashjaee	D12/16.1

D763,134 S *	8/2016	Wang	D12/16.1
D767,043 S *	9/2016	Morrison	D12/16.1
D768,539 S *	10/2016	Lee	D12/16.1
D768,540 S *	10/2016	Ji	D12/16.1
D768,789 S *	10/2016	Fargeau	D12/16.1
2012/0056041 A1 *	3/2012	Rhee	B64C 25/32 244/4 R
2012/0241555 A1 *	9/2012	Savoie	A63H 27/12 244/54
2014/0339355 A1 *	11/2014	Olm	B64C 27/08 244/17.23
2015/0051755 A1 *	2/2015	Erhart	A63H 27/12 701/2
2015/0129711 A1 *	5/2015	Caubel	B64C 27/08 244/17.23

(Continued)

Primary Examiner — Robert M Spear
Assistant Examiner — Marissa J Cash

(57) **CLAIM**

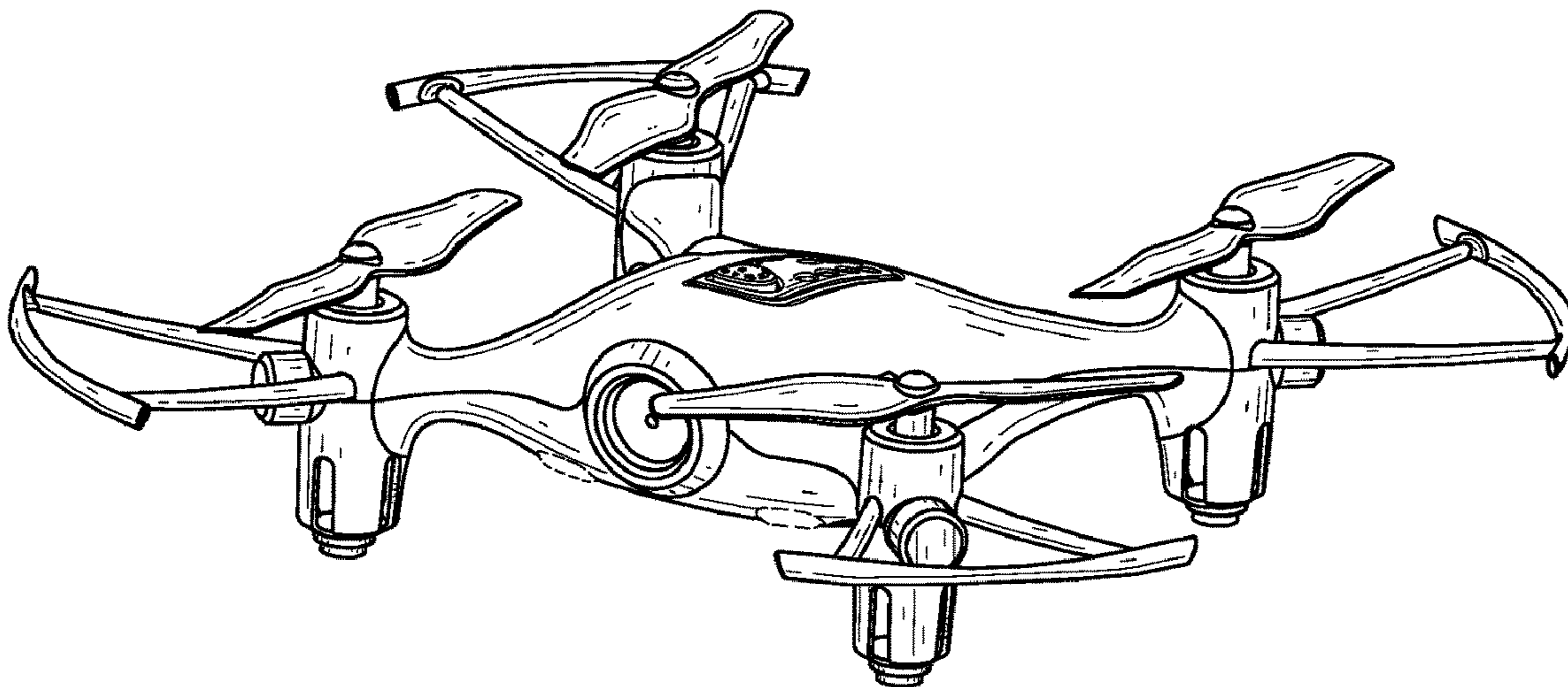
The ornamental design for a toy aircraft, as shown and described.

DESCRIPTION

FIG. 1 is a first perspective view of a toy aircraft showing my new design;
 FIG. 2 is a second perspective view thereof;
 FIG. 3 is a front elevational view thereof;
 FIG. 4 is a rear elevational view thereof;
 FIG. 5 is a left side view thereof;
 FIG. 6 is a right side view thereof;
 FIG. 7 is a top plan view thereof; and,
 FIG. 8 is a bottom plan view thereof.

In the drawings, the claimed design is defined by the shaded surfaces; broken lines immediately adjacent shaded surfaces represent boundaries of the claim and form no part thereof; all other broken lines depict unclaimed environmental subject matter and form no part of the claim.

1 Claim, 8 Drawing Sheets



(56)

References Cited

U.S. PATENT DOCUMENTS

2015/0321755 A1* 11/2015 Martin B64C 27/50
244/17.23
2015/0321758 A1* 11/2015 Sarna, II B64C 39/024
244/63
2015/0336670 A1* 11/2015 Zhang B64C 1/00
244/119
2016/0001879 A1* 1/2016 Johannesson B64C 27/50
416/142
2016/0031275 A1* 2/2016 Monroe B60F 3/0007
244/2

* cited by examiner

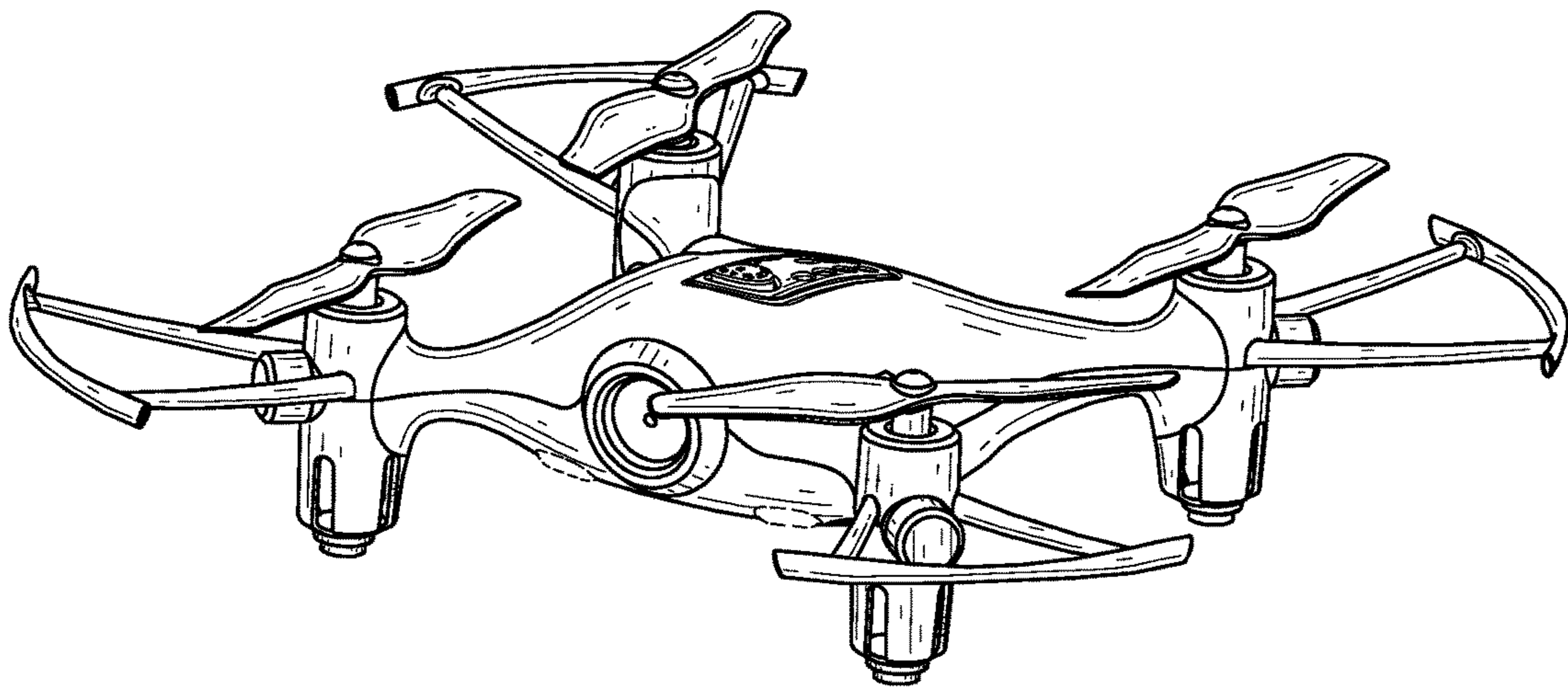


FIG. 1

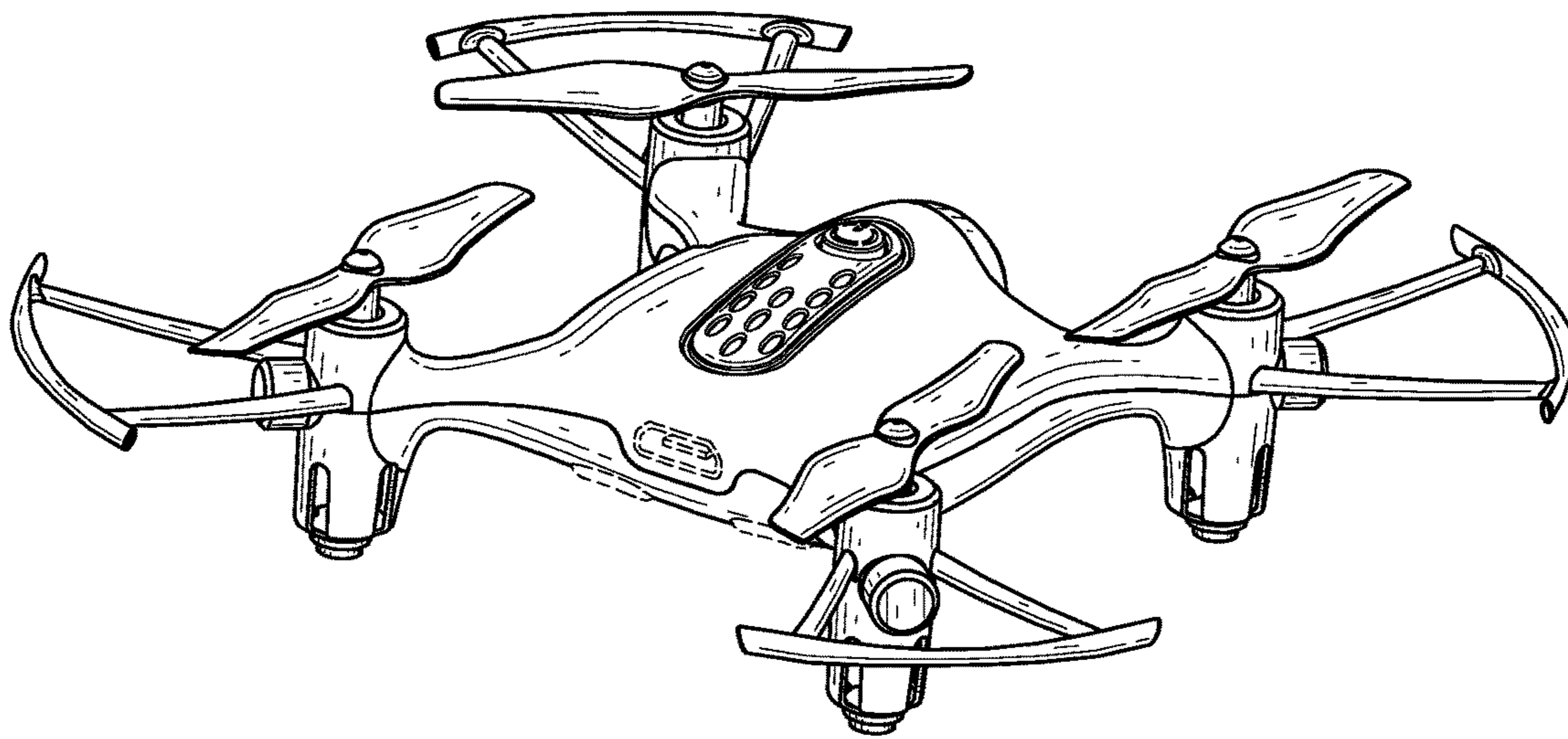


FIG. 2

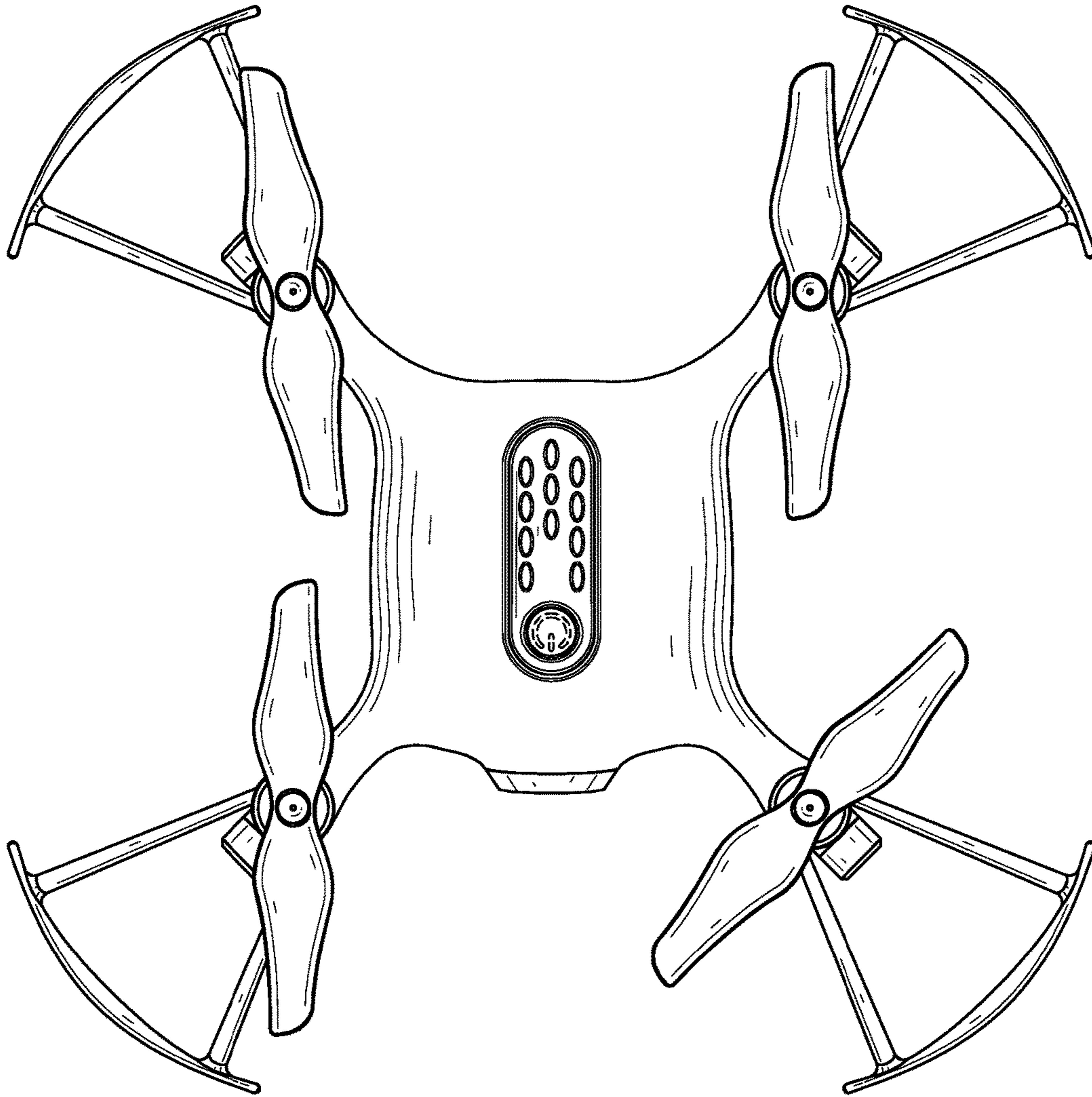


FIG. 3

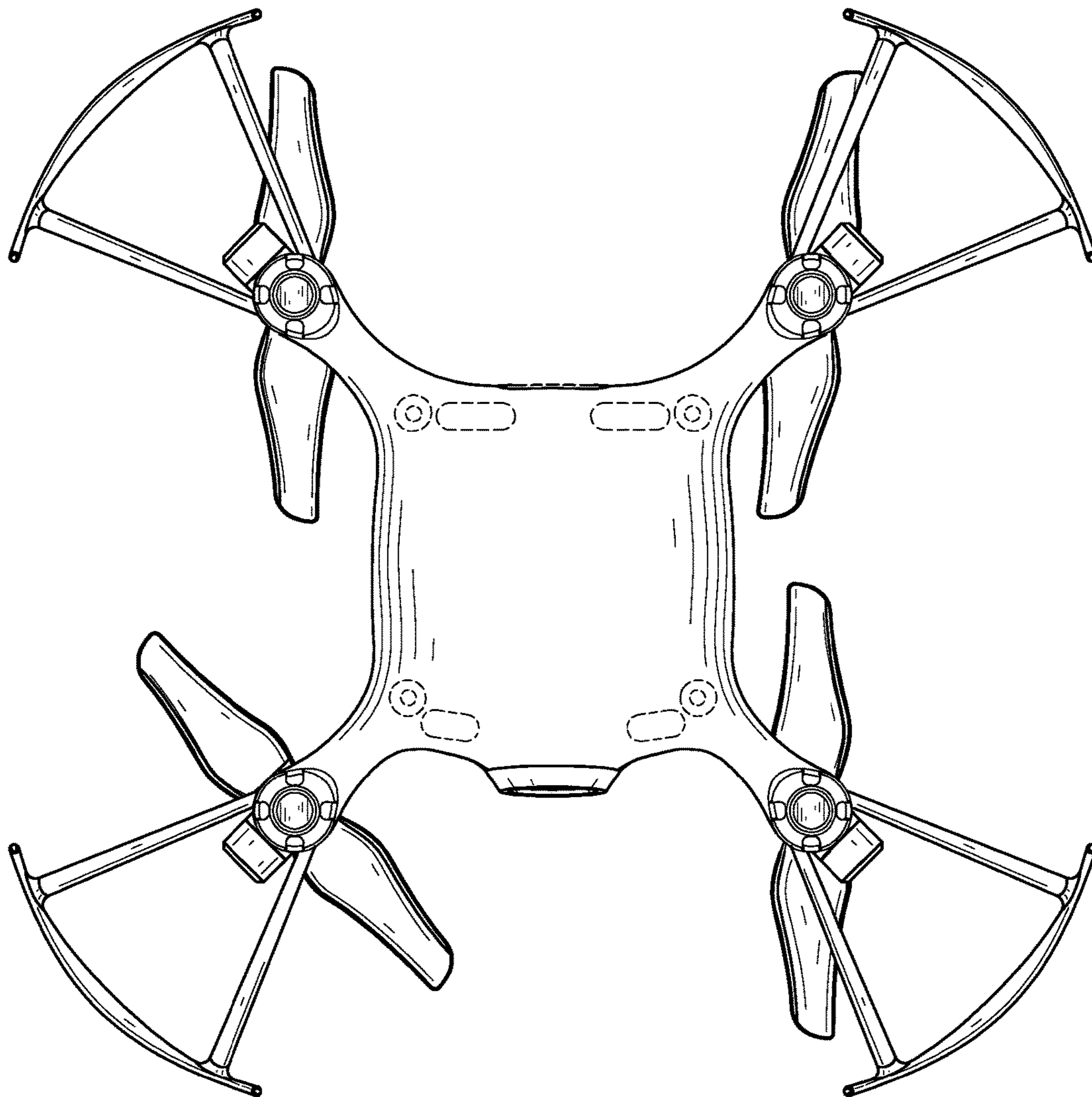


FIG. 4

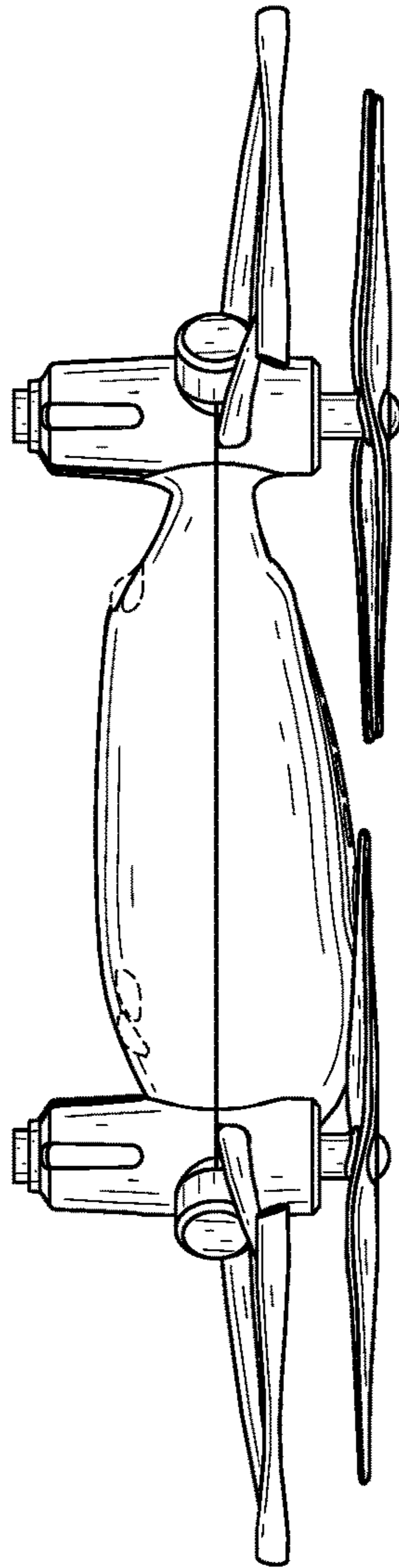


FIG. 5

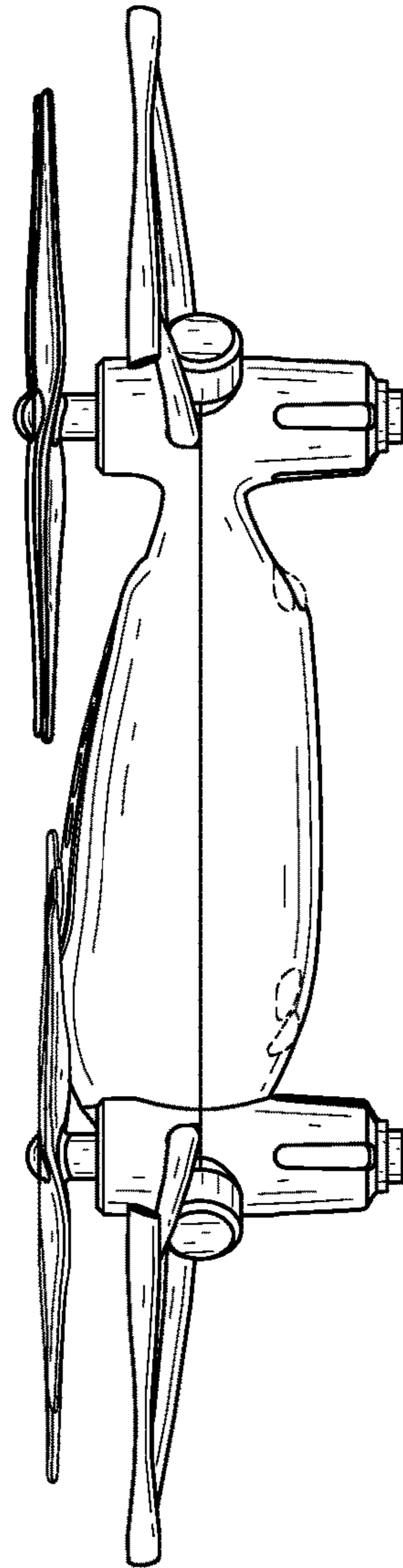


FIG. 6

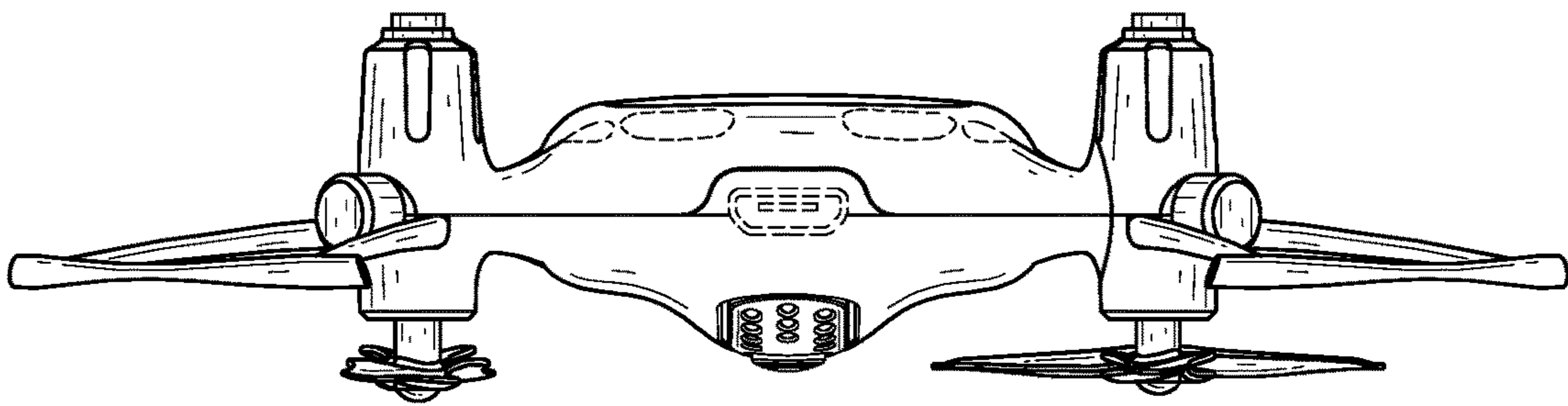


FIG. 7

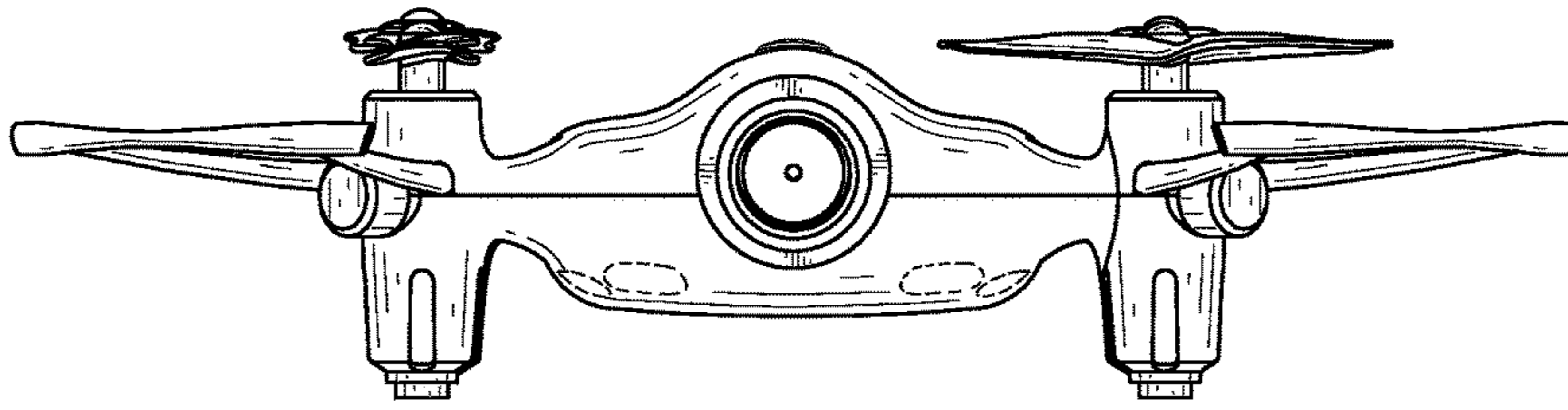


FIG. 8