



US00D783725S

(12) **United States Design Patent** (10) **Patent No.:** **US D783,725 S**
Van Dooren et al. (45) **Date of Patent:** **** Apr. 11, 2017**

(54) **PEDAL GO-KART**

(56) **References Cited**

(71) Applicant: **Berg Toys Beheer B.V.**, Ede (NL)

U.S. PATENT DOCUMENTS

(72) Inventors: **Thijs Mattheus Johannes Marie Van Dooren**, Utrecht (NL); **Hendrik Van Den Berg**, Wekerom (NL); **Robert Jan Kooiman**, Amersfoort (NL)

5,071,150	A	*	12/1991	Conrad	280/282
5,501,478	A	*	3/1996	Doan	280/282
D484,073	S	*	12/2003	Heinemann et al.	D12/112
D645,381	S	*	9/2011	Bricker et al.	D12/112
D682,746	S	*	5/2013	Doherty et al.	D12/112
D692,505	S	*	10/2013	Jiang	D21/426
D692,506	S	*	10/2013	Jiang	D21/426

(73) Assignee: **Berg Toys Beheer B.V.**, Ede (NL)

* cited by examiner

(**) Term: **14 Years**

Primary Examiner — Cynthia M Chin

(21) Appl. No.: **29/477,867**

(74) *Attorney, Agent, or Firm* — Chiesa Shahinian & Giantomasi PC

(22) Filed: **Dec. 27, 2013**

(57) **CLAIM**

(30) **Foreign Application Priority Data**

The ornamental design for a pedal go-kart, as shown and described.

Nov. 21, 2013 (EM) 002349639-0001

DESCRIPTION

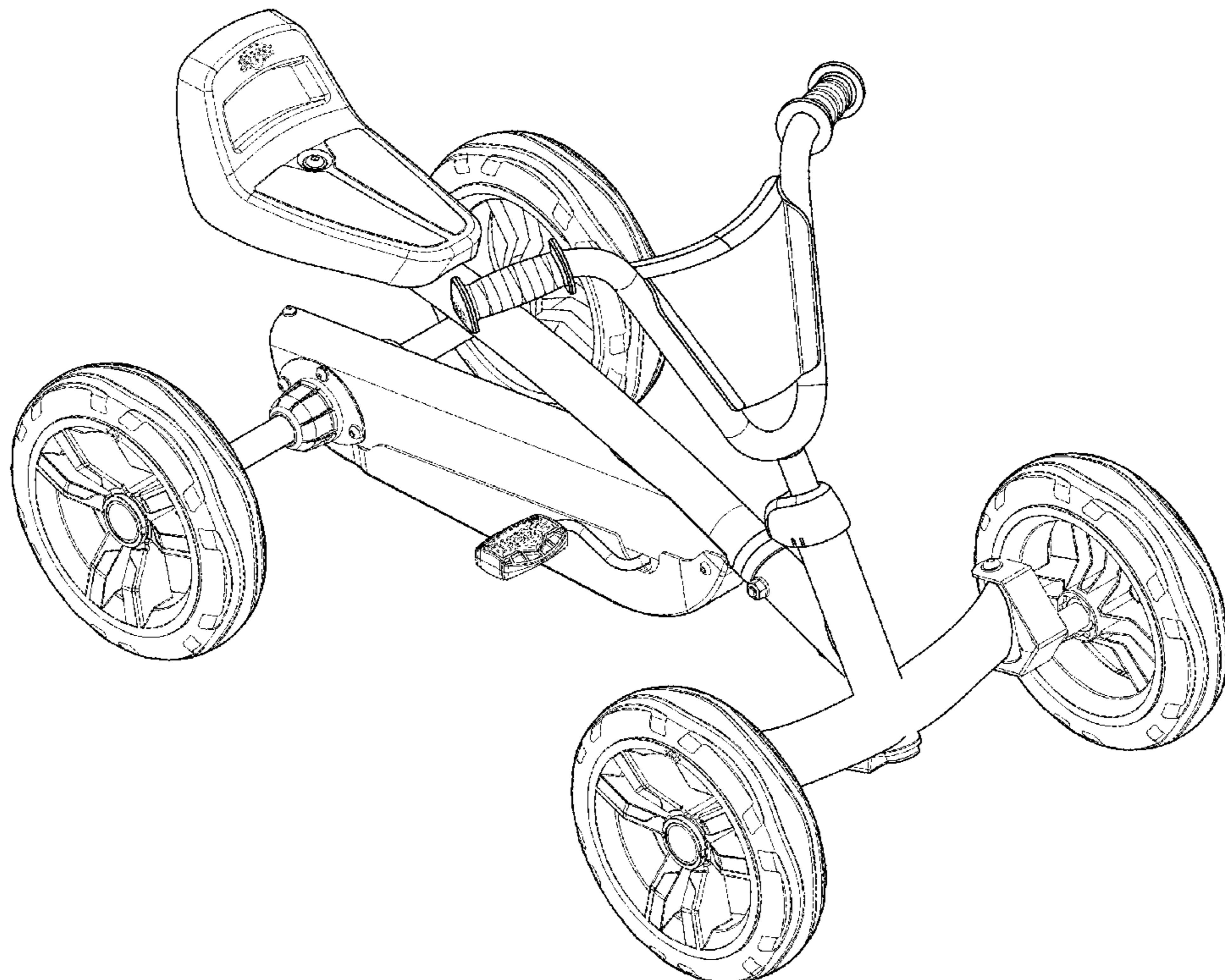
(51) **LOC (10) Cl.** **21-01**

(52) **U.S. Cl.**
USPC **D21/426; D21/432**

(58) **Field of Classification Search**
USPC D21/412, 414, 431–435; D12/1, 107, D12/110–114, 129, 130, 133; 280/87.01, 280/87.021, 87.05, 87.051, 47.17, 47.25, 280/47.34, 47.38, 47.4, 827, 828, 29, 200, 280/263, 266, 267, 270, 282, 288.4, 291, 280/293; 297/5; 482/68
CPC ... B62K 5/00; B62K 5/04; B62K 5/06; B62K 5/08; B62M 1/00
See application file for complete search history.

FIG. 1 is a front isometric view of a new design for a pedal go-kart;
FIG. 2 is a rear isometric view thereof;
FIG. 3 is a top view thereof;
FIG. 4 is a left side view thereof;
FIG. 5 is a front view thereof;
FIG. 6 is a right side view thereof; and,
FIG. 7 is a rear view thereof.
The broken lines represent portions of the article that form no part of the claim.

1 Claim, 7 Drawing Sheets



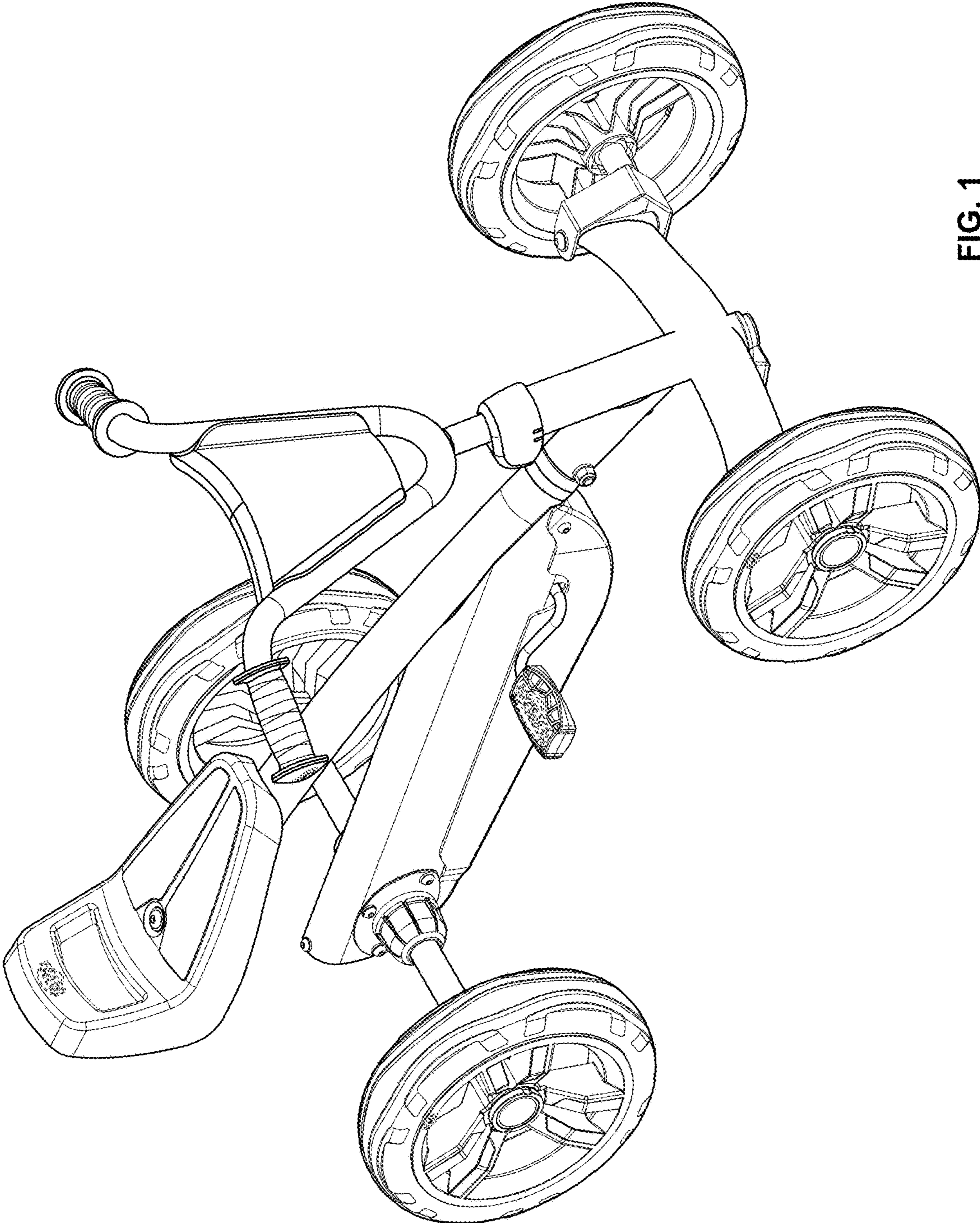


FIG. 1

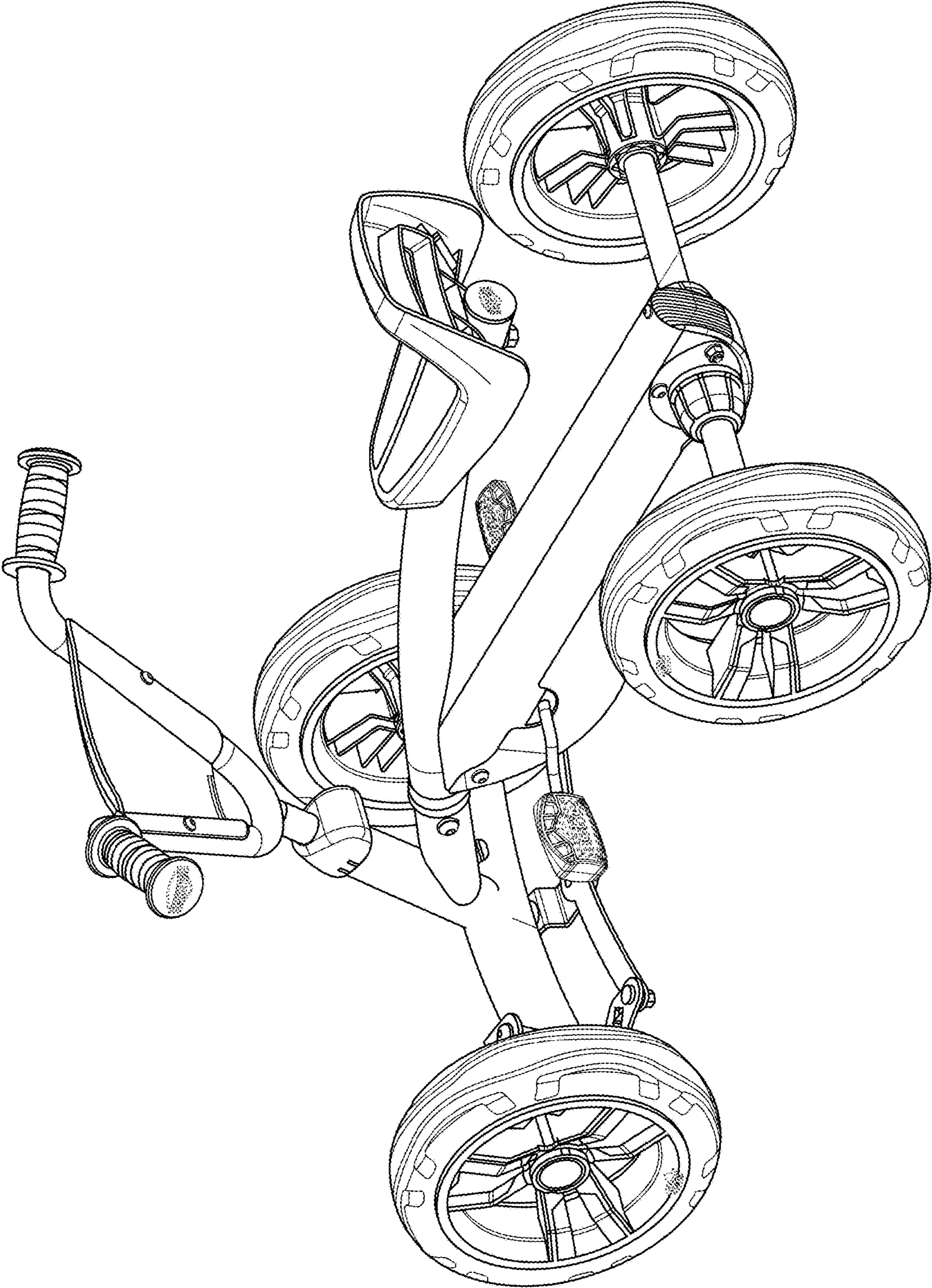


FIG. 2

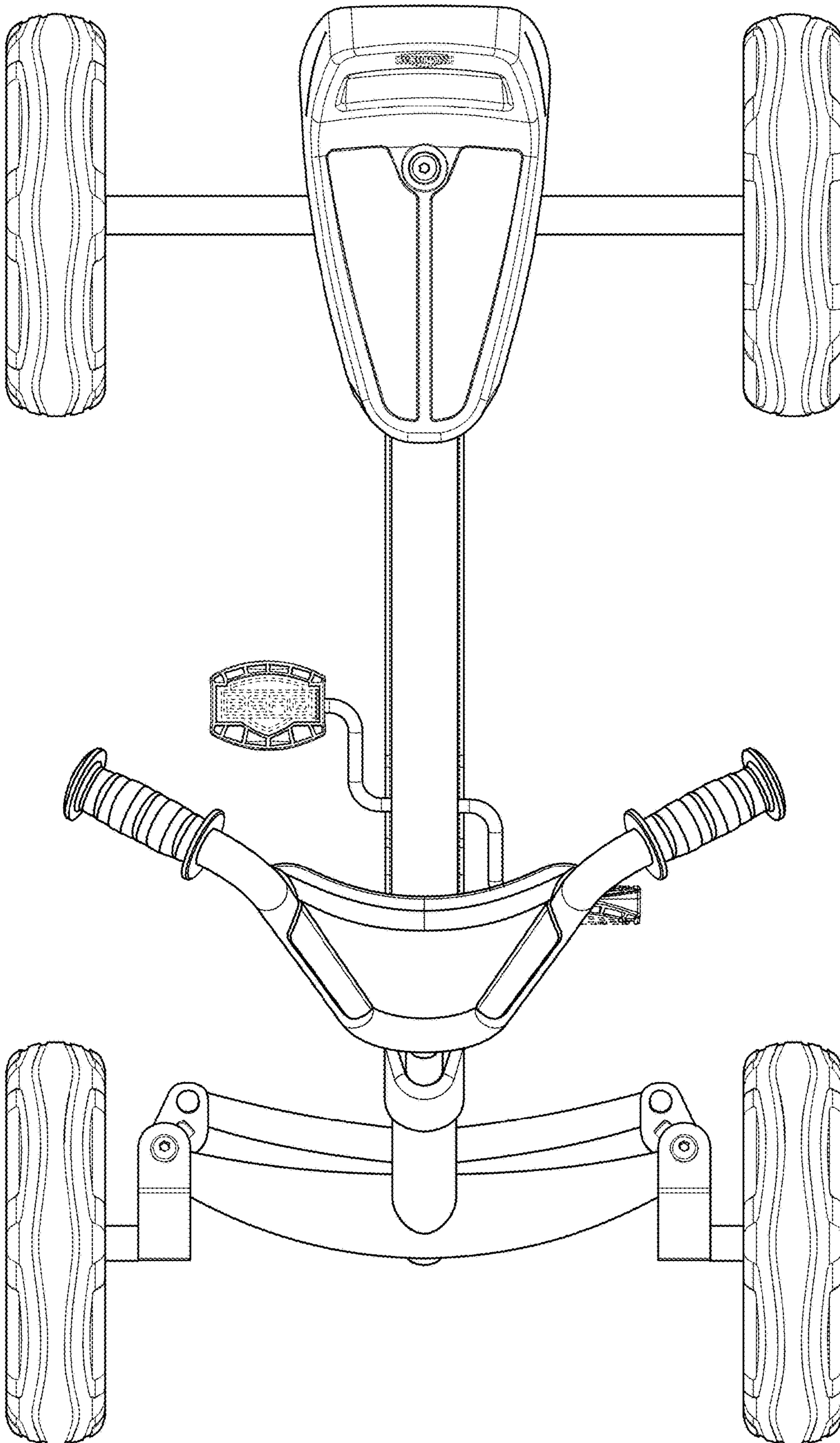


FIG. 3

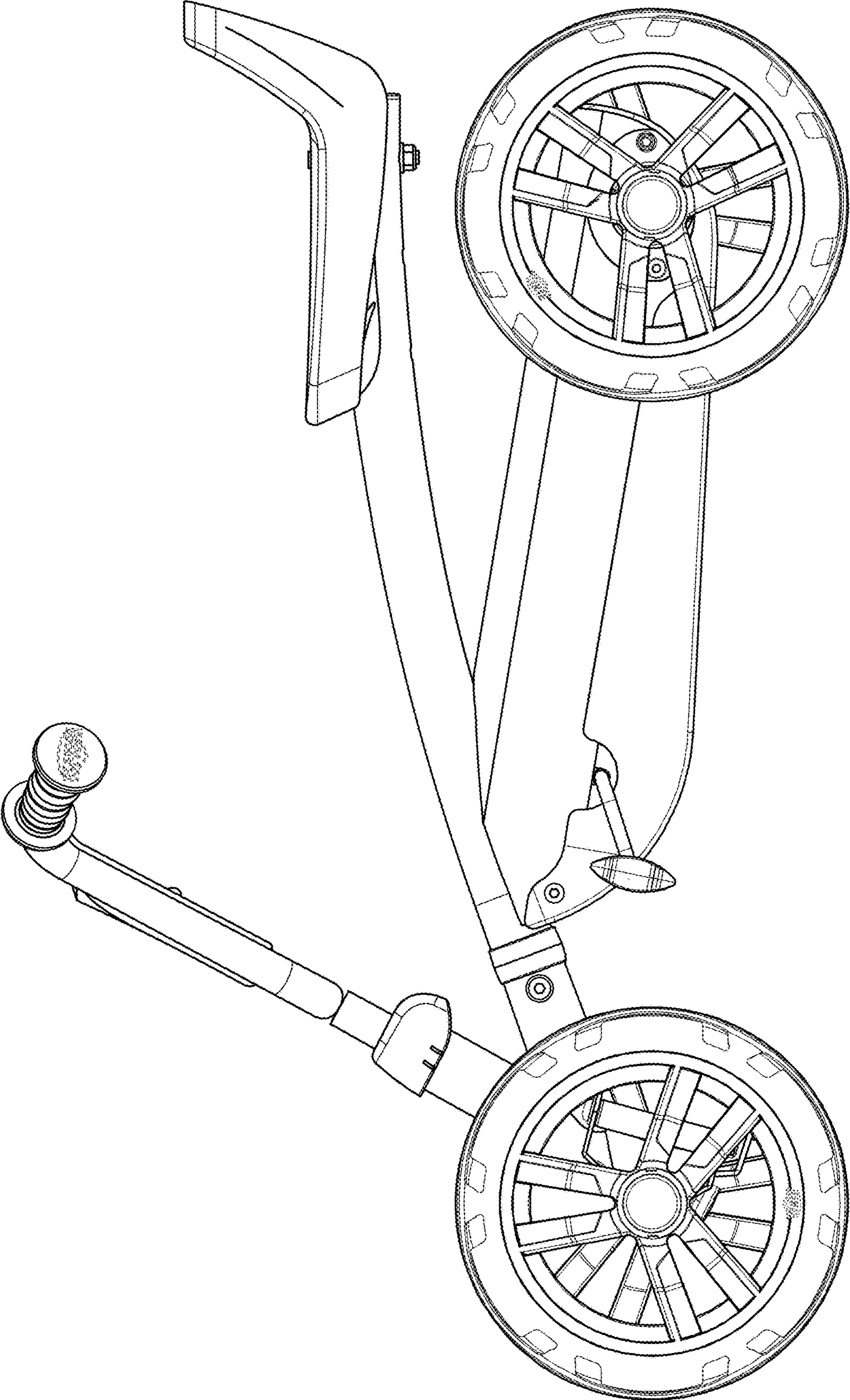


FIG. 4

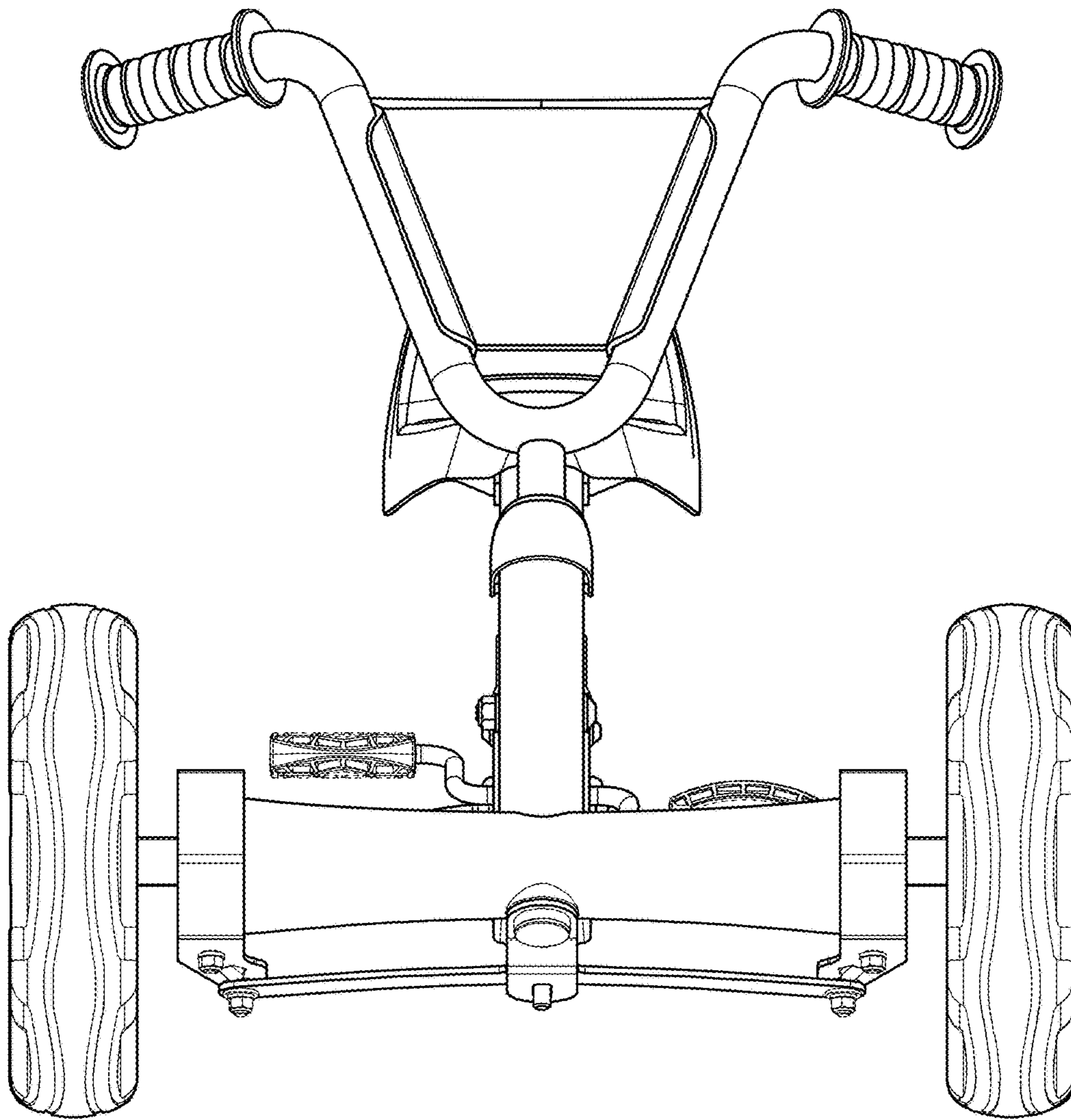


FIG. 5

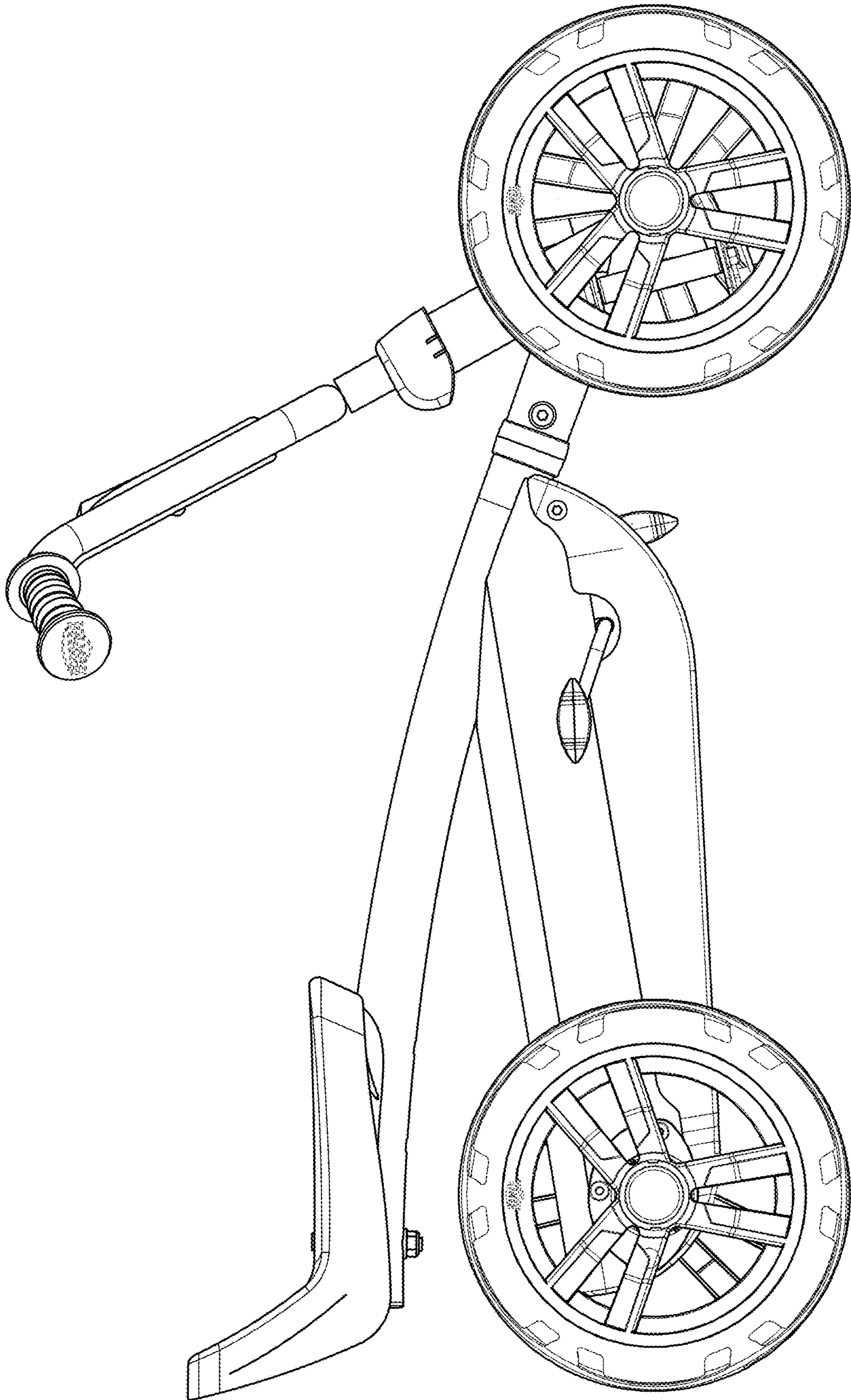


FIG. 6

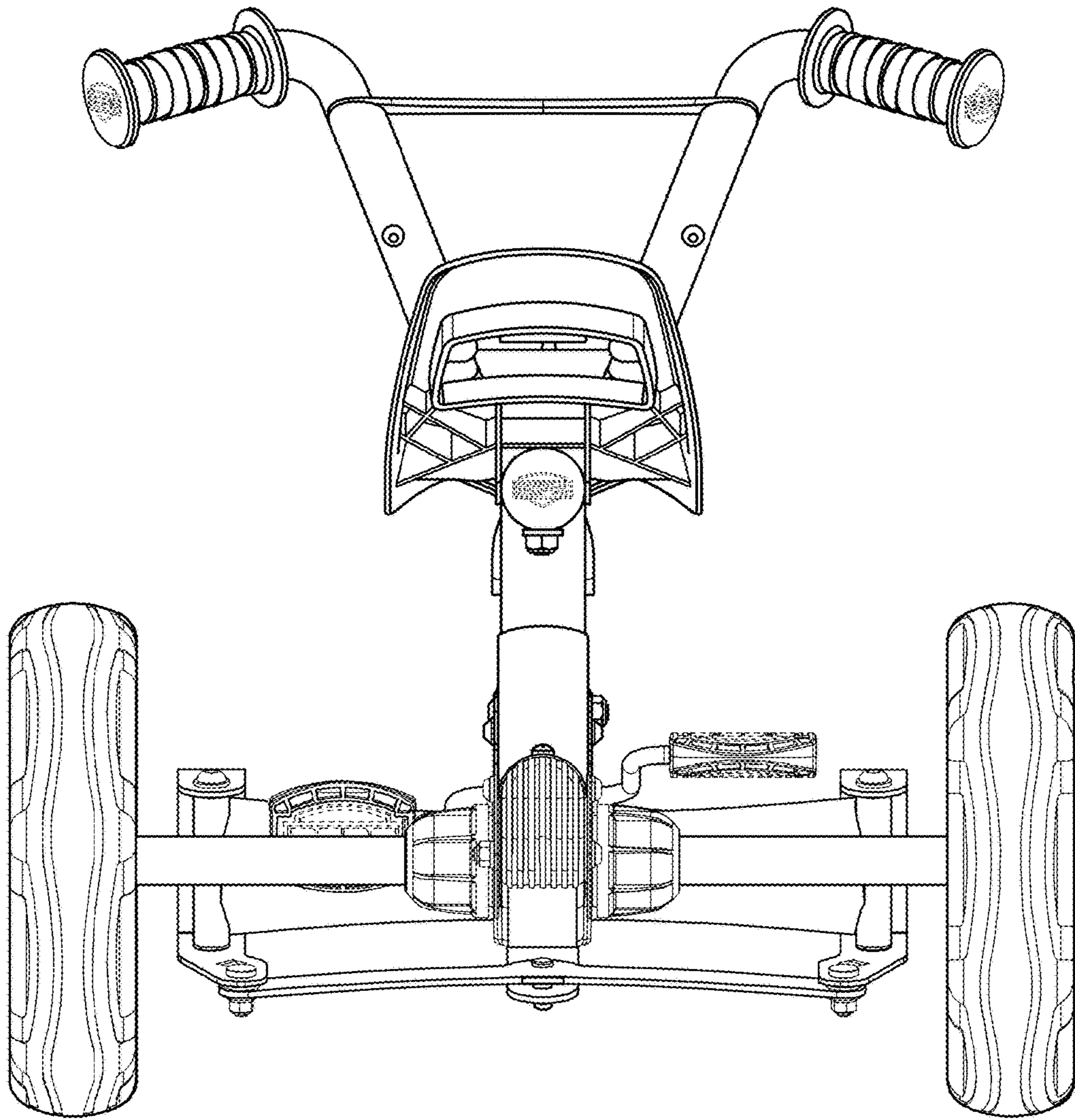


FIG. 7