



US00D783722S

(12) **United States Design Patent**
Peng

(10) **Patent No.:** **US D783,722 S**

(45) **Date of Patent:** **** Apr. 11, 2017**

(54) **GAME CONTROLLER**

(71) Applicant: **Shenzhen Bestodo Technology Co., Ltd.**, Shenzhen (CN)

(72) Inventor: **Li Peng**, Shenzhen (CN)

(**) Term: **14 Years**

(21) Appl. No.: **29/516,808**

(22) Filed: **Feb. 6, 2015**

(51) **LOC (10) Cl.** **21-01**

(52) **U.S. Cl.**
USPC **D21/333; D14/400**

(58) **Field of Classification Search**
USPC D21/324, 328, 333, 385, 477, 566;
D14/399-402, 412, 414, 416, 432;
273/148 B, 449, 441, 442; 463/1, 29-35,
463/46, 47; 345/156, 161; 434/45, 46
CPC . A63F 13/00; A63F 13/02; A63F 9/00; G09G
9/00
See application file for complete search history.

(56) **References Cited**

U.S. PATENT DOCUMENTS

- 5,643,087 A * 7/1997 Marcus A63F 13/06
273/148 B
- 5,769,719 A * 6/1998 Hsu G06F 3/0238
273/148 B
- 5,785,317 A * 7/1998 Sasaki A63F 13/06
273/148 B
- 6,042,478 A * 3/2000 Ng A63F 13/02
273/148 B

- D529,493 S * 10/2006 Ogasawara D14/356
- D542,856 S * 5/2007 Lim D14/401
- D568,883 S * 5/2008 Ashida D14/400
- 7,499,284 B2 * 3/2009 Kawanobe A63F 13/08
361/752
- D614,705 S * 4/2010 Biheller D14/400
- D697,140 S * 1/2014 Baum D14/401
- D702,771 S * 4/2014 Mar D14/401
- D719,614 S * 12/2014 Baum D14/401
- D720,342 S * 12/2014 Starrett D14/252

* cited by examiner

Primary Examiner — Prabhakar Deshmukh

(74) *Attorney, Agent, or Firm* — Prakash Nama; Global IP Services, PLLC

(57) **CLAIM**

The ornamental design for a game controller, as shown and described.

DESCRIPTION

FIG. 1 is a front elevational view of a game controller showing my new design;

FIG. 2 is a rear elevational view thereof;

FIG. 3 is a left side view thereof;

FIG. 4 is a right side view thereof;

FIG. 5 is a top plan view thereof;

FIG. 6 is a bottom plan view thereof;

FIG. 7 is a perspective view thereof;

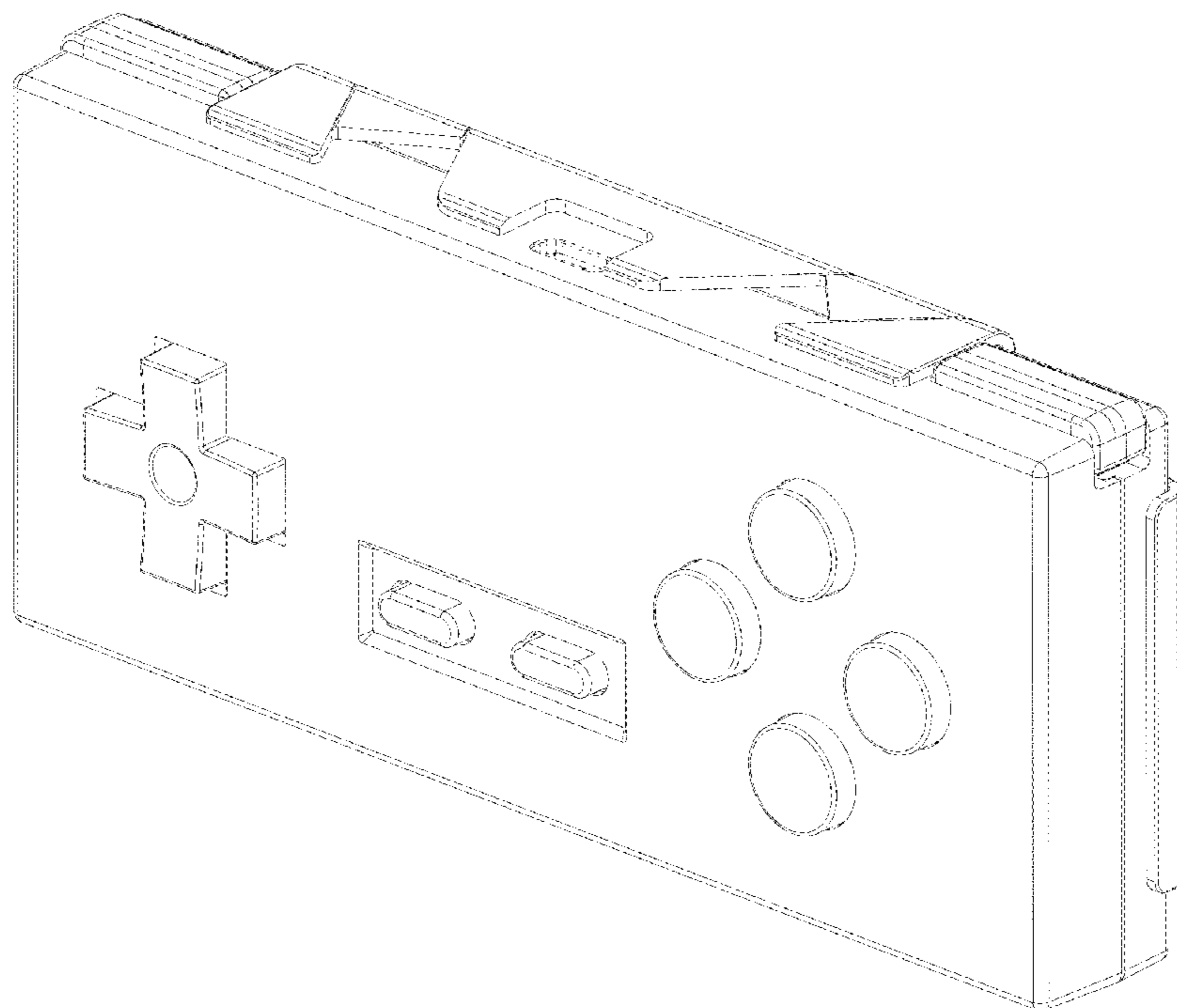
FIG. 8 is another perspective view thereof;

FIG. 9 is another perspective view thereof; and,

FIG. 10 is another perspective view thereof.

The broken lines shown in FIGS. 5, 7 & 8 form no part of the claimed design.

1 Claim, 9 Drawing Sheets



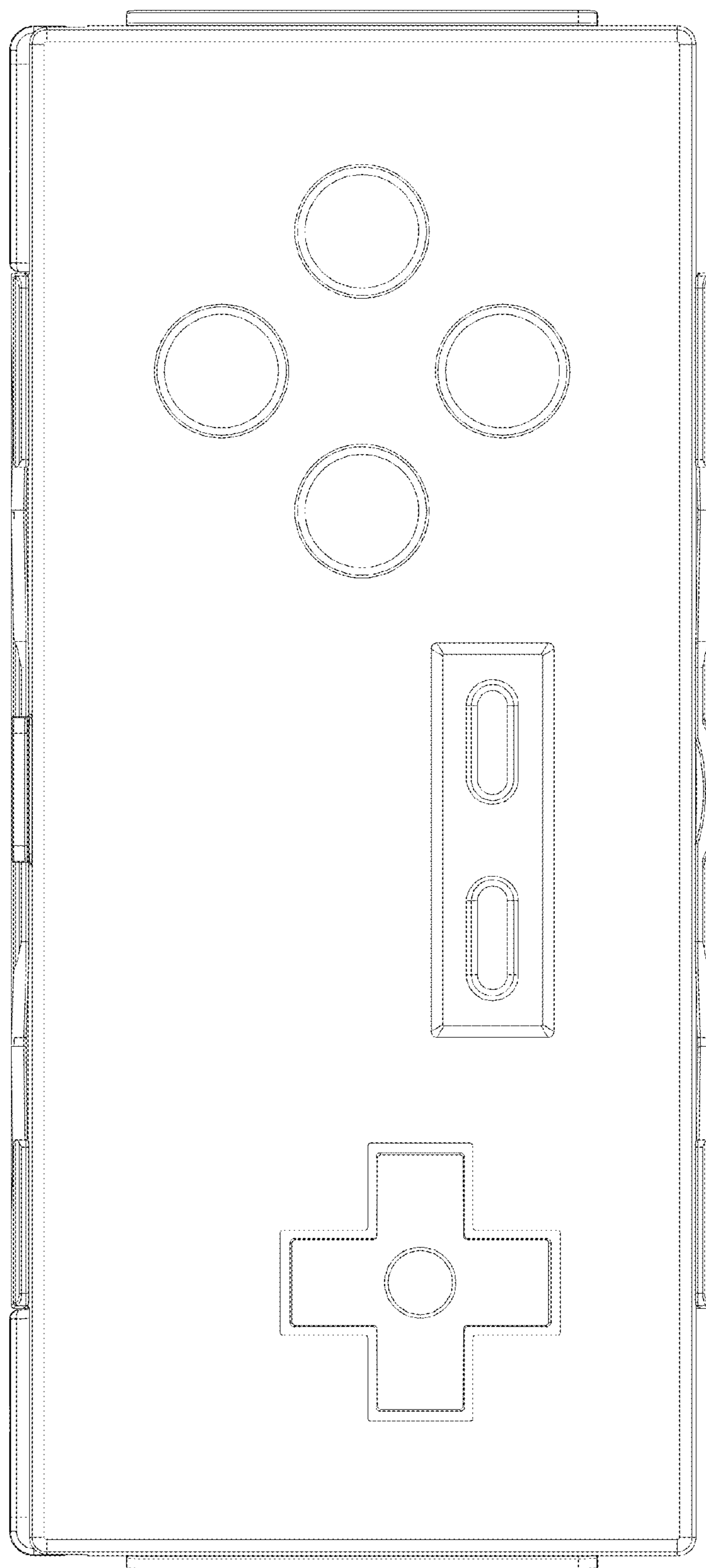


FIG. 1

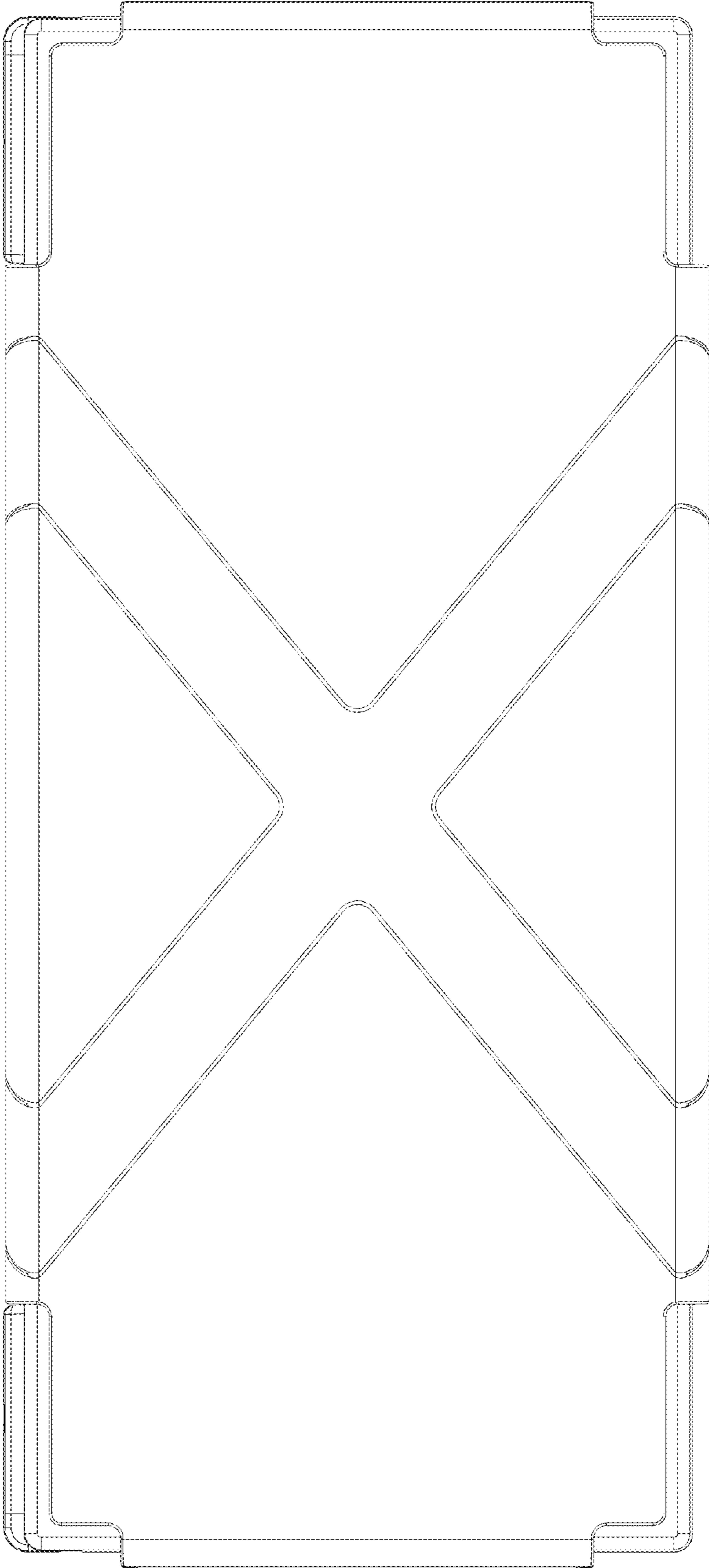


FIG. 2

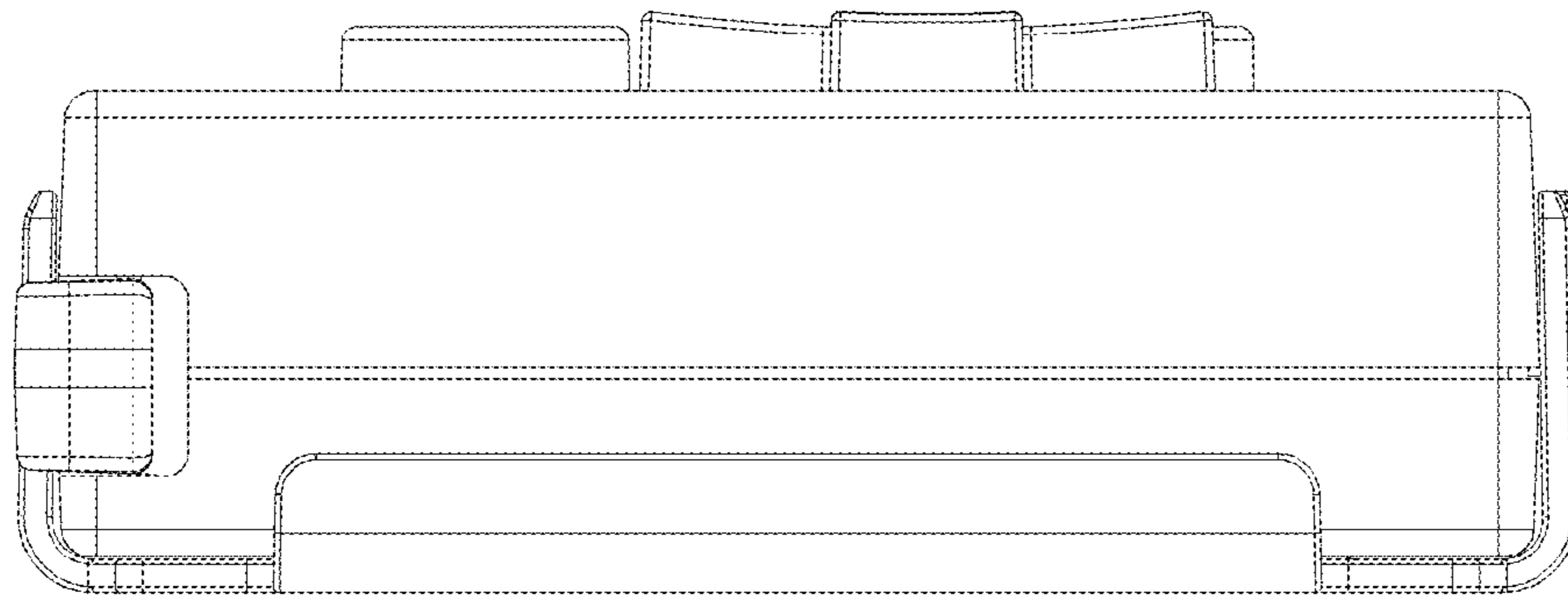


FIG. 3



FIG. 4

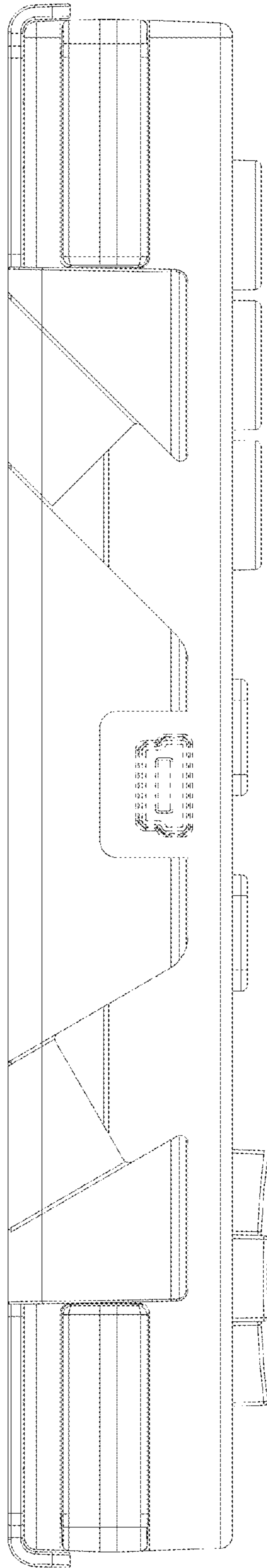


FIG. 5

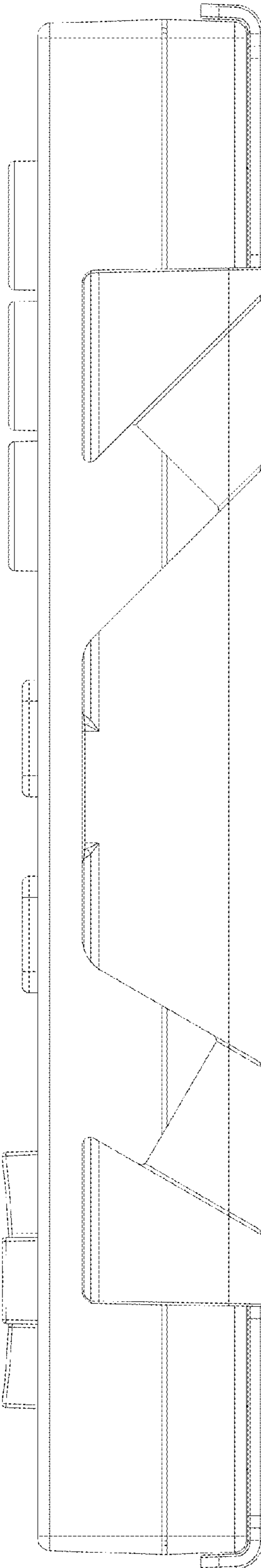


FIG. 6

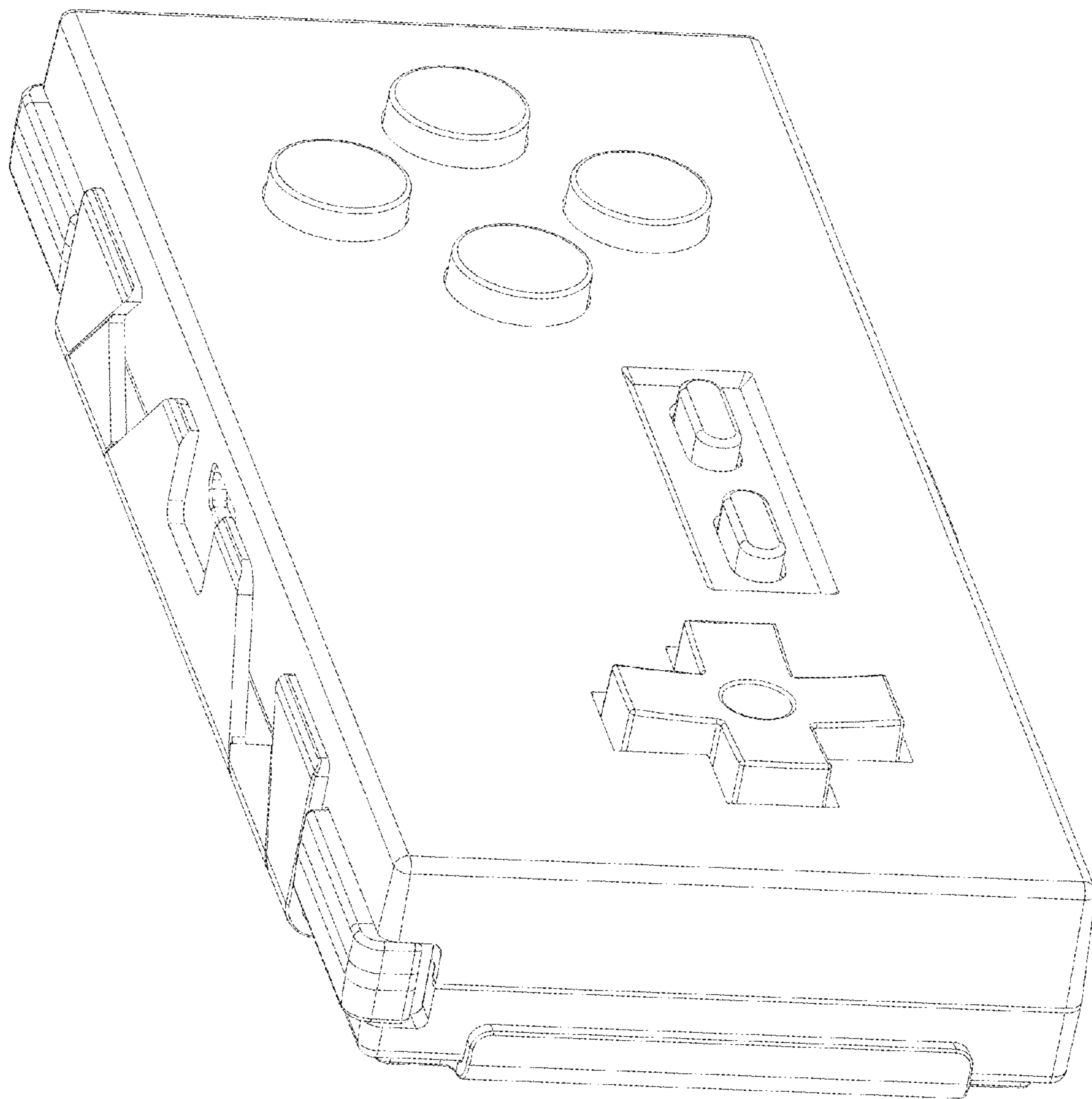


FIG. 7

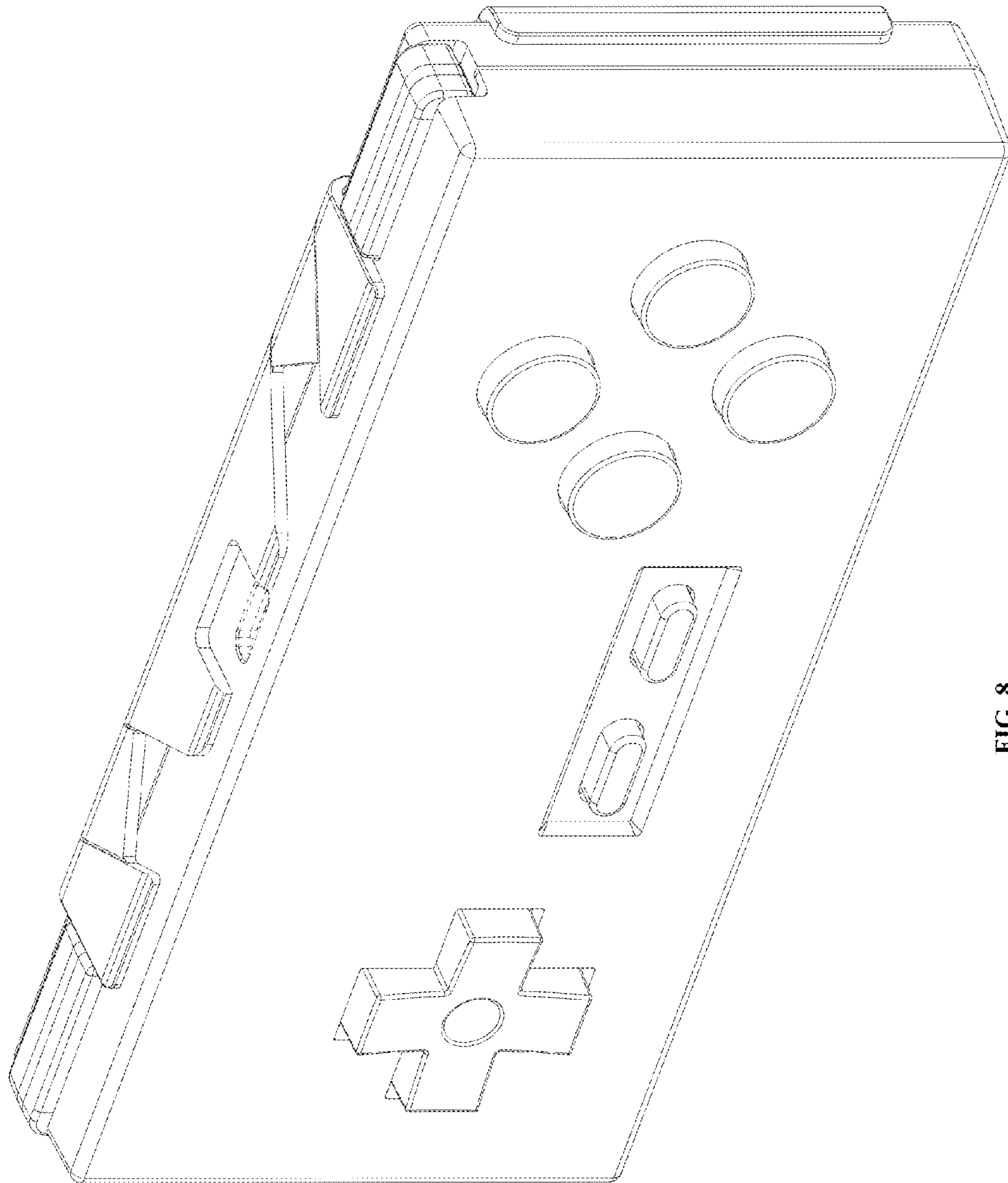


FIG. 8

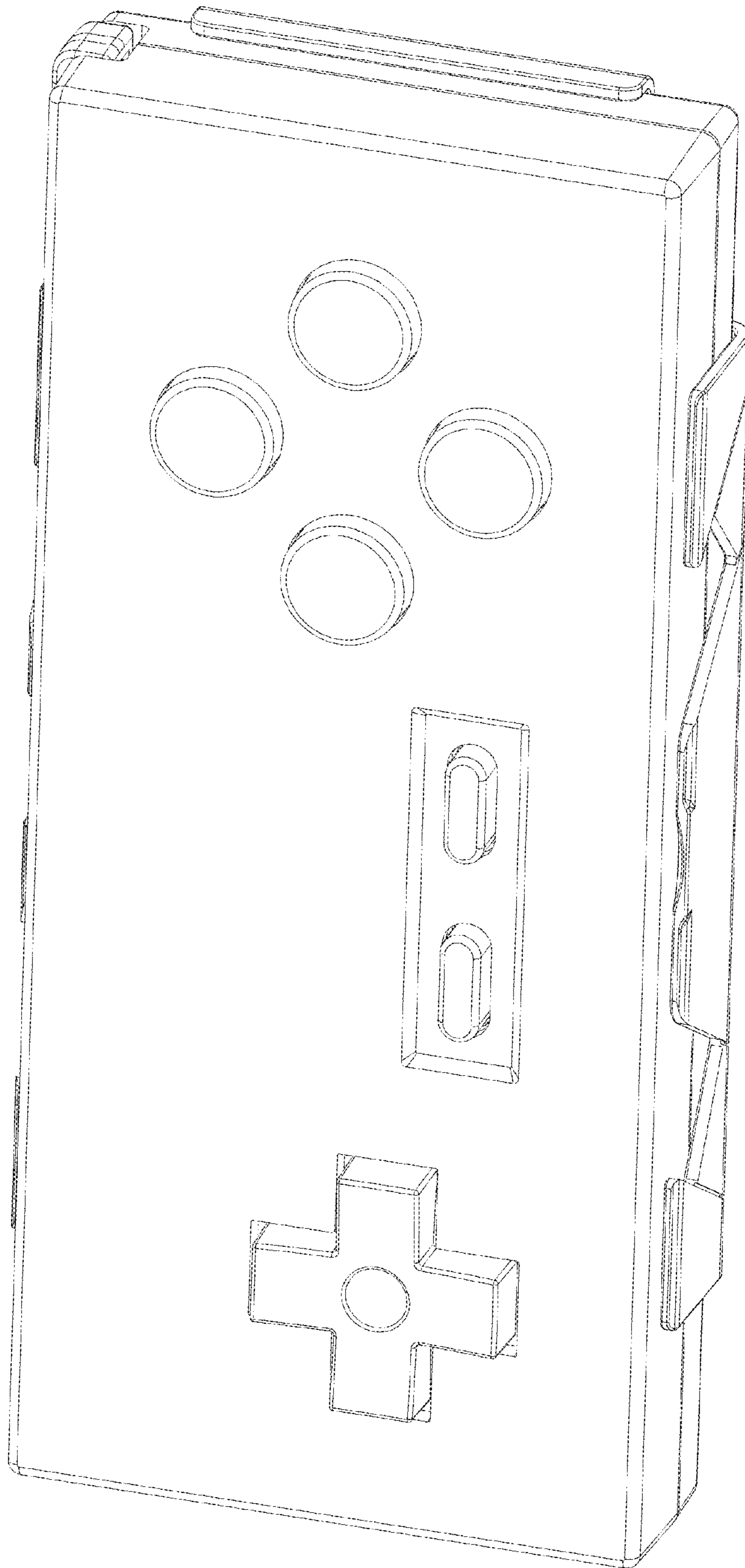


FIG. 9

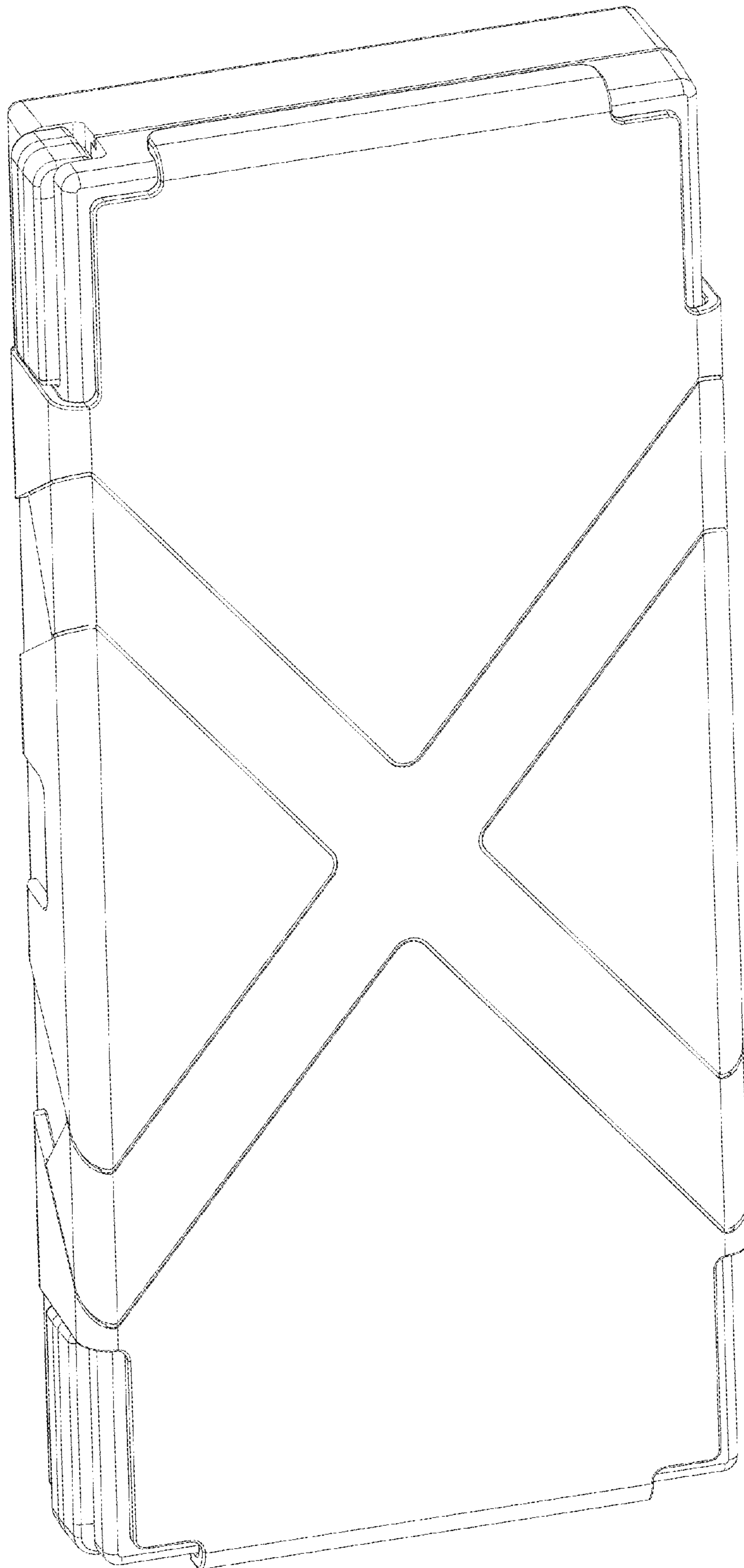


FIG. 10