



US00D783719S

(12) **United States Design Patent**
Piffaretti et al.

(10) **Patent No.:** **US D783,719 S**

(45) **Date of Patent:** **** Apr. 11, 2017**

(54) **DISPLAY UNIT FOR COLOR SAMPLES**

3,519,128 A * 7/1970 Swanberg B65D 73/0092
206/461

(71) Applicant: **ColorFrog SA**, Zug (CH)

D266,014 S * 8/1982 Wittman 446/46

(72) Inventors: **Andrea Piffaretti**, Zug (CH); **Marco Piffaretti**, Rovio (CH)

D443,952 S * 6/2001 Neergaard D28/8.1

D466,944 S * 12/2002 Cantor D20/13

D472,679 S * 4/2003 Burington D29/121.1

D687,105 S * 7/2013 Menting D21/386

(73) Assignee: **COLORFOG SA**, Zug (CH)

FOREIGN PATENT DOCUMENTS

(**) Term: **14 Years**

CH 129017 10/2002

CH 133609 3/2007

CH 135813 3/2009

CH 136023 5/2009

EM 000321609-0001 4/2005

(21) Appl. No.: **29/516,058**

(22) Filed: **Jan. 29, 2015**

* cited by examiner

(30) **Foreign Application Priority Data**

Jul. 30, 2014 (WO) DM/084 229

(51) **LOC (10) Cl.** **20-02**

(52) **U.S. Cl.**
USPC **D20/10**

(58) **Field of Classification Search**
USPC D20/10, 13, 19, 29, 35, 42, 99; D1/100,
D1/101, 106, 127; D6/601; D11/131,
D11/157; D19/96; D21/386, 548;
D28/8.1

CPC ... G09F 5/00; G09F 7/00; G09F 13/00; G09F
19/00

See application file for complete search history.

Primary Examiner — Mary Ann Calabrese

(74) *Attorney, Agent, or Firm* — Browdy and Neimark,
PLLC

(57) **CLAIM**

The ornamental design for a display unit for color samples,
as shown and described.

DESCRIPTION

FIG. 1 is a perspective view of a display unit for color
samples according to the present design;

FIG. 2 is a top view thereof;

FIG. 3 is a left side view thereof;

FIG. 4 is a right side view thereof;

FIG. 5 is a front view thereof; and,

FIG. 6 is a rear view thereof.

(56) **References Cited**

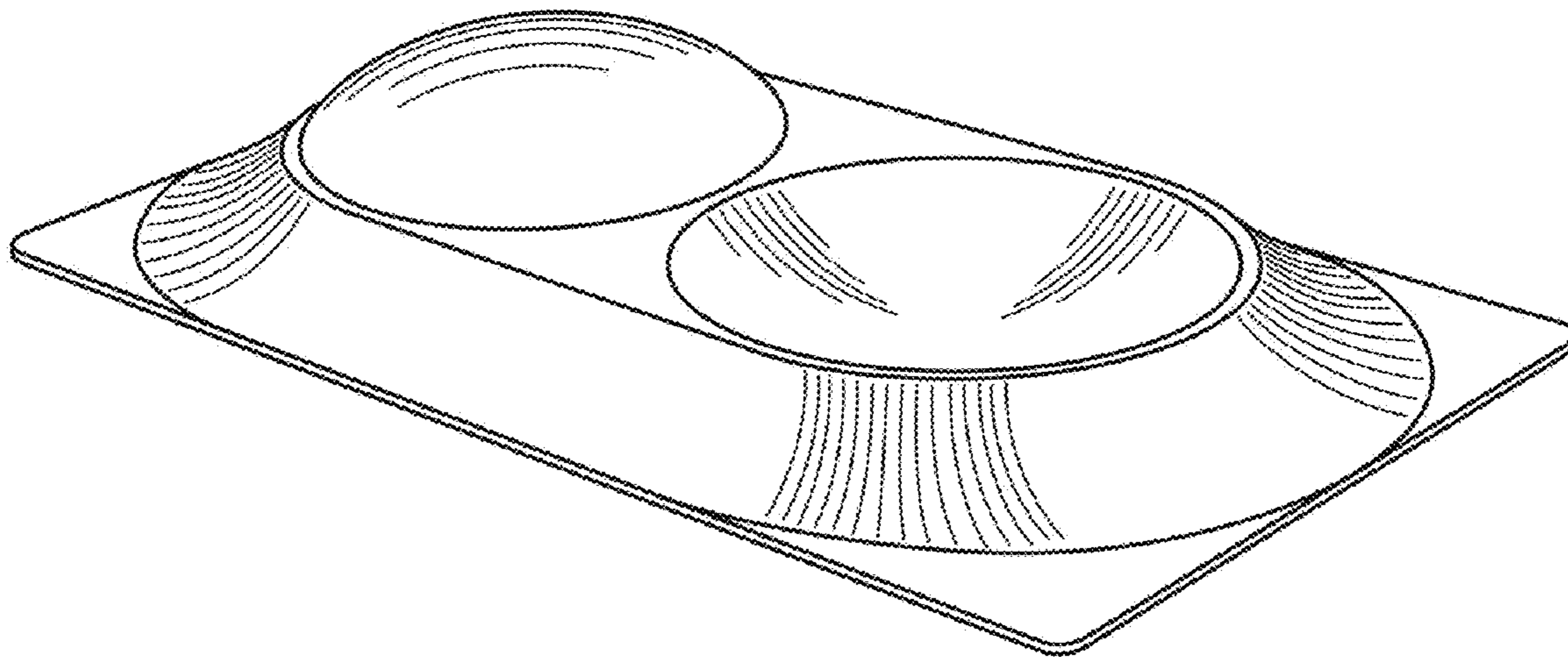
U.S. PATENT DOCUMENTS

D91,644 S * 3/1934 Blackstone 424/467

2,210,566 A * 8/1940 Bockman G09F 5/00

229/113

1 Claim, 6 Drawing Sheets



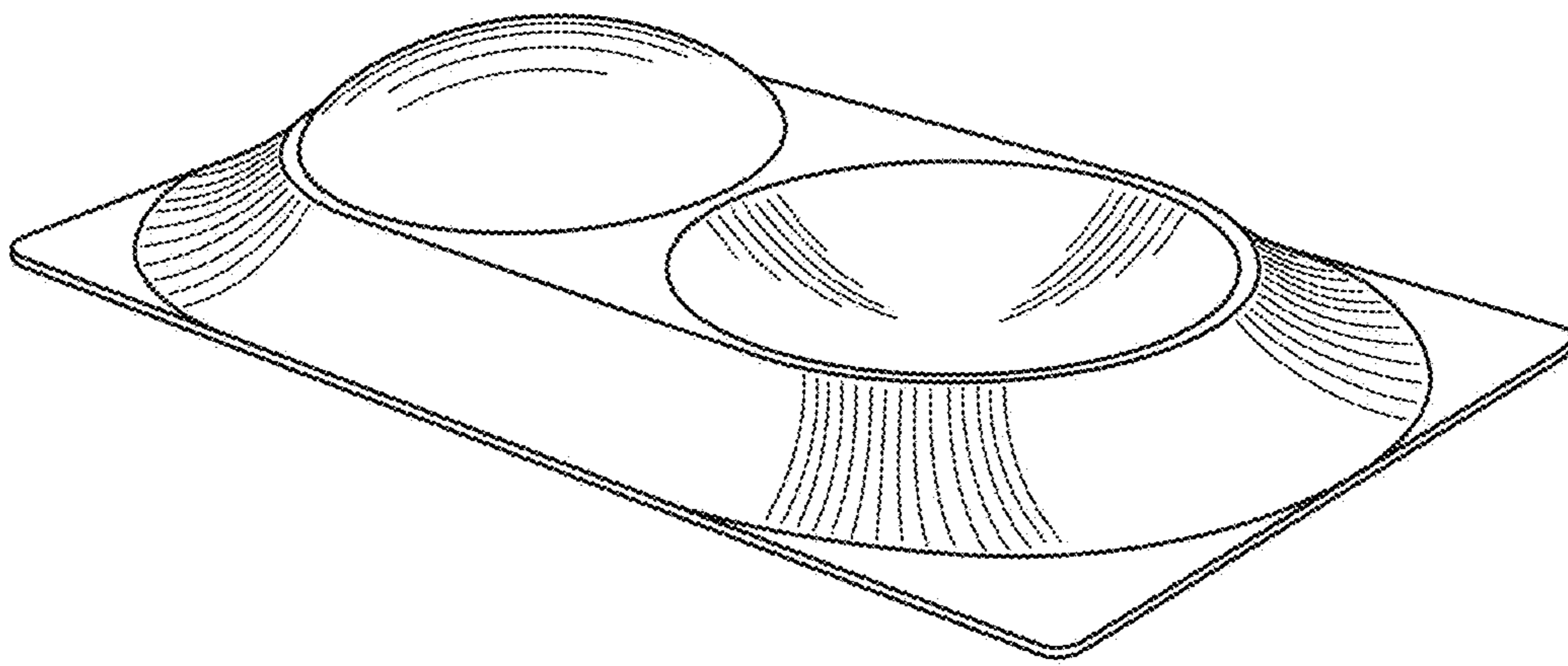


Fig. 1

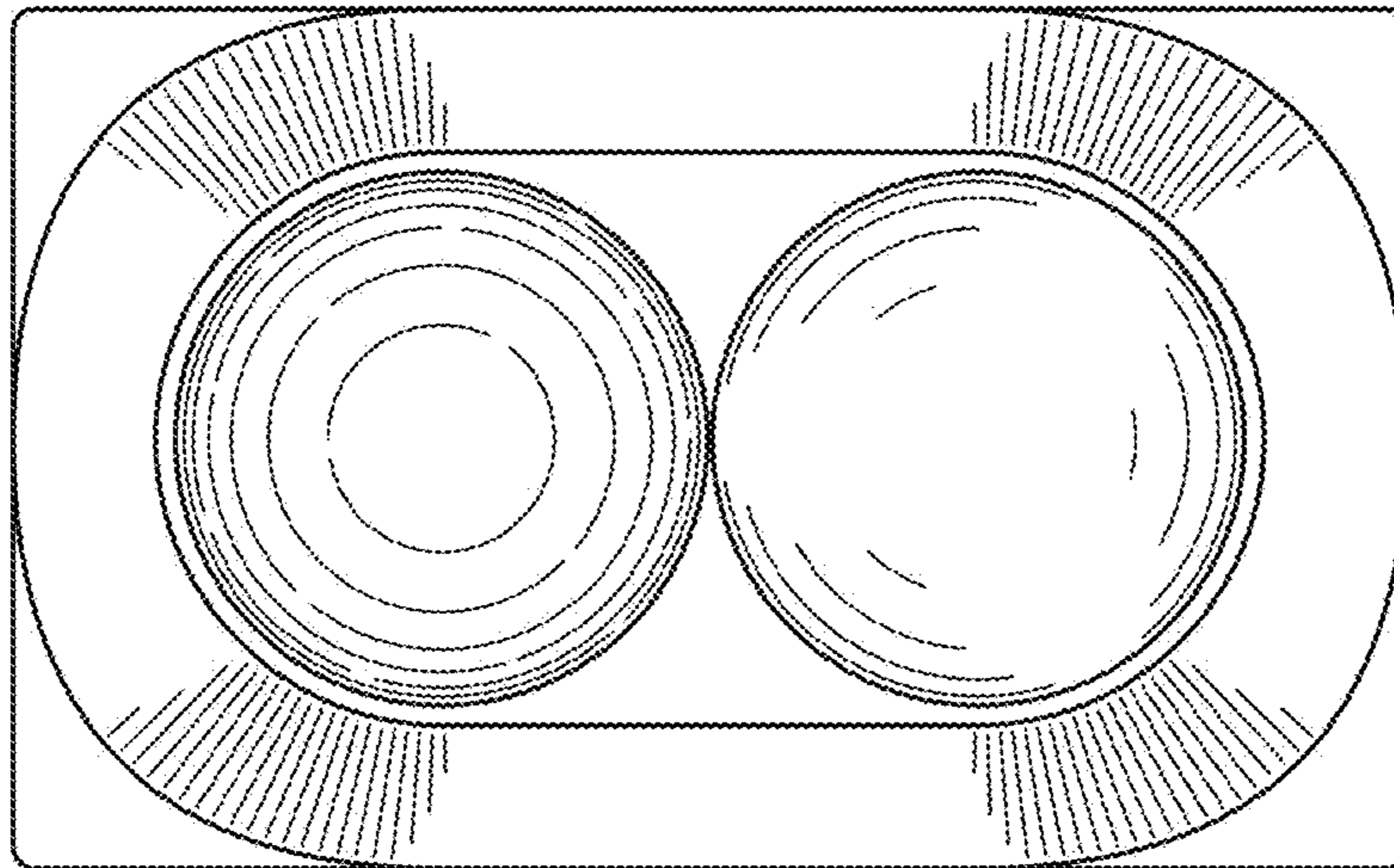


Fig. 2

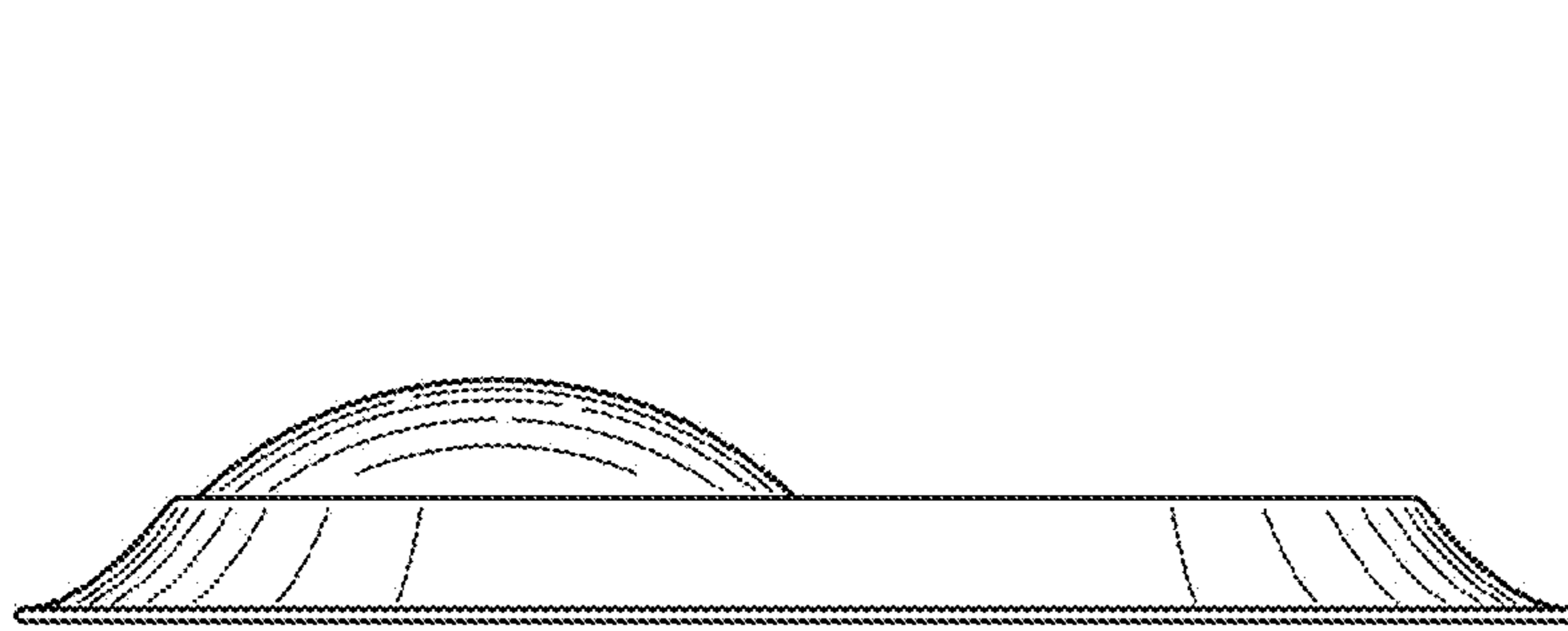


Fig. 3

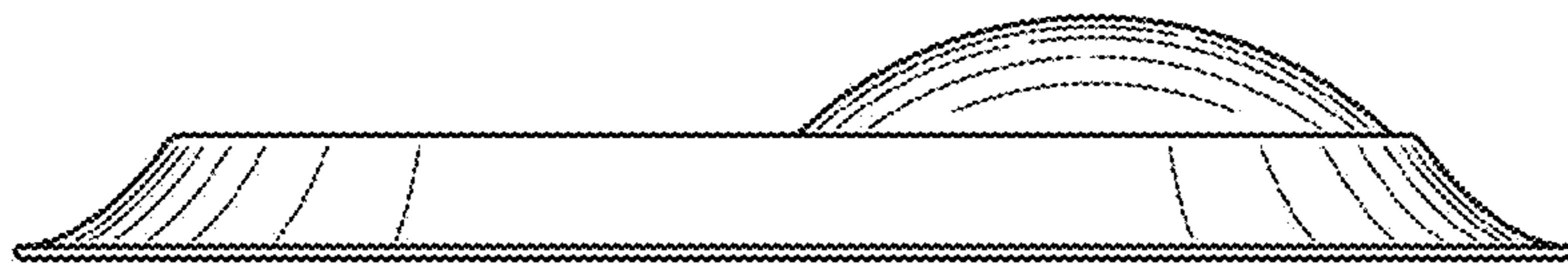


Fig. 4

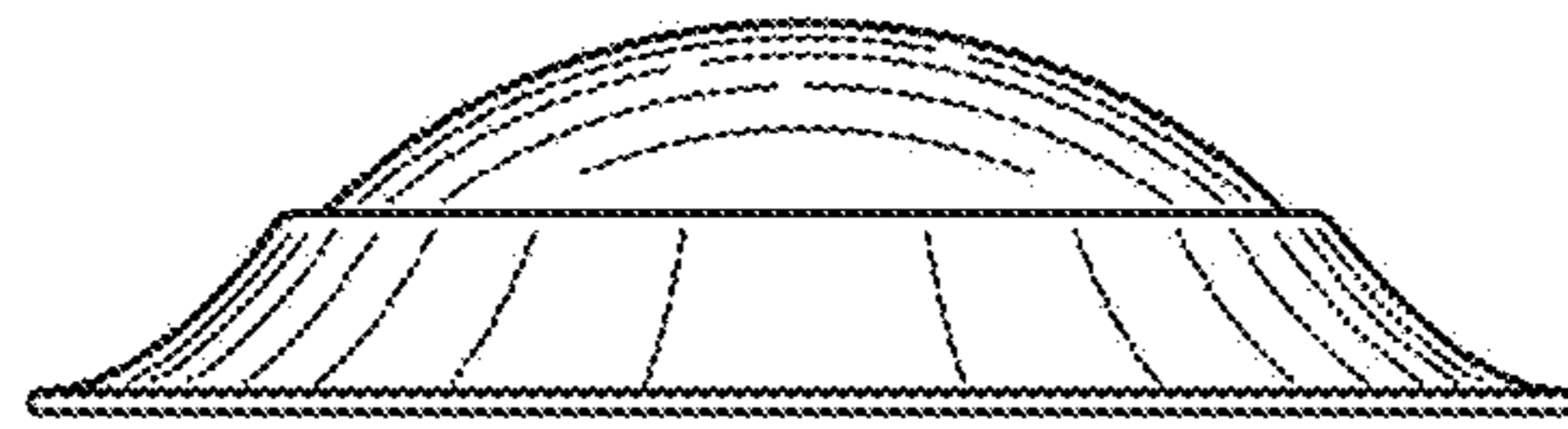


Fig. 5

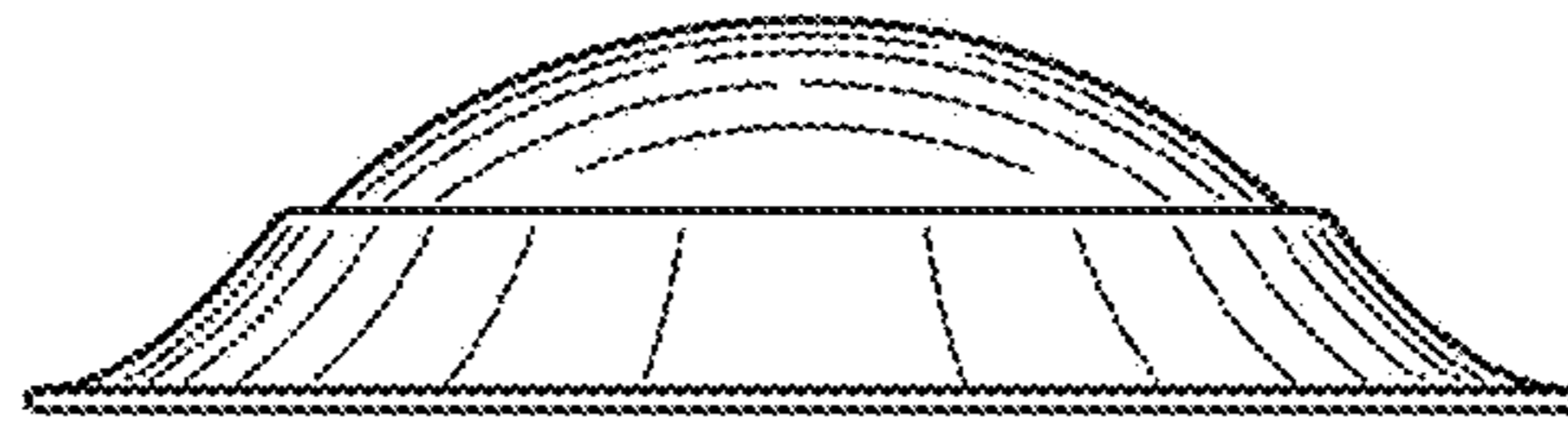


Fig. 6