



US00D783713S

(12) **United States Design Patent** (10) **Patent No.:** **US D783,713 S**
Egami et al. (45) **Date of Patent:** **** Apr. 11, 2017**

(54) **PRINTER MAILBOX**

2221/1684; G03G 2221/1645; G03F
7/70716; G06K 15/12; G06K 15/14;
H04N

(71) Applicant: **BROTHER INDUSTRIES, LTD.**,
Nagoya-shi, Aichi-ken (JP)

(Continued)

(72) Inventors: **Keiichiro Egami**, Nagoya (JP); **Jihoon Kil**, Nagoya (JP)

(56)

References Cited

U.S. PATENT DOCUMENTS

(73) Assignee: **BROTHER INDUSTRIES, LTD.**,
Nagoya (JP)

D261,770 S * 11/1981 Hikawa D18/37
D262,375 S * 12/1981 Imada D18/37

(**) Term: **15 Years**

(Continued)

(21) Appl. No.: **29/550,703**

OTHER PUBLICATIONS

(22) Filed: **Jan. 6, 2016**

Optional Output Tray MX4000, posted 2013 [online], retrieved [Sep. 28, 2016], Retrieved from Internet, URL: <<http://www.brother.com.hk/eshop/en/optional-output-tray/1165-mx4000.html>>.*

(30) **Foreign Application Priority Data**

Jul. 6, 2015 (JP) 2015-14919

(Continued)

(51) **LOC (10) Cl.** **18-02**

(52) **U.S. Cl.**
USPC **D18/56**

Primary Examiner — Barbara Fox

Assistant Examiner — Mary C Ramirez

(58) **Field of Classification Search**

USPC . D18/36, 37, 39, 40, 41, 44, 45, 46, 47, 48,
D18/49, 50, 51, 52, 53, 54, 55, 56;
D14/462, 463, 464, 465, 466, 467, 468,
D14/469, 470, 471, 301, 307, 129, 130
CPC B41J 3/00; B41J 3/28; B41J 3/445; B41J
3/46; B65H 11/00; B65H 11/002; B65H
2301/331; B65H 29/46; G03B 27/04;
G03B 27/08; G03B 27/14; G03B 27/16;
G03G 15/00; G03G 15/04; G03G 15/23;
G03G 15/28; G03G 15/50; G03G 15/55;
G03G 15/60; G03G 15/65; G03G 15/221;
G03G 15/5075; G03G 15/6558; G03G
15/0832; G03G 15/0834; G03G 15/0836;
G03G 15/0837; G03G 15/0877; G03G
15/0867; G03G 15/0868; G03G 15/0872;
G03G 15/0898; G03G 15/5016; G03G
15/0841; G03G 21/1853; G03G 21/20;
G03G 21/18; G03G 21/08; G03G 21/16;
G03G 2221/1654; G03G 2221/183; G03G

(74) *Attorney, Agent, or Firm* — Oliff PLC

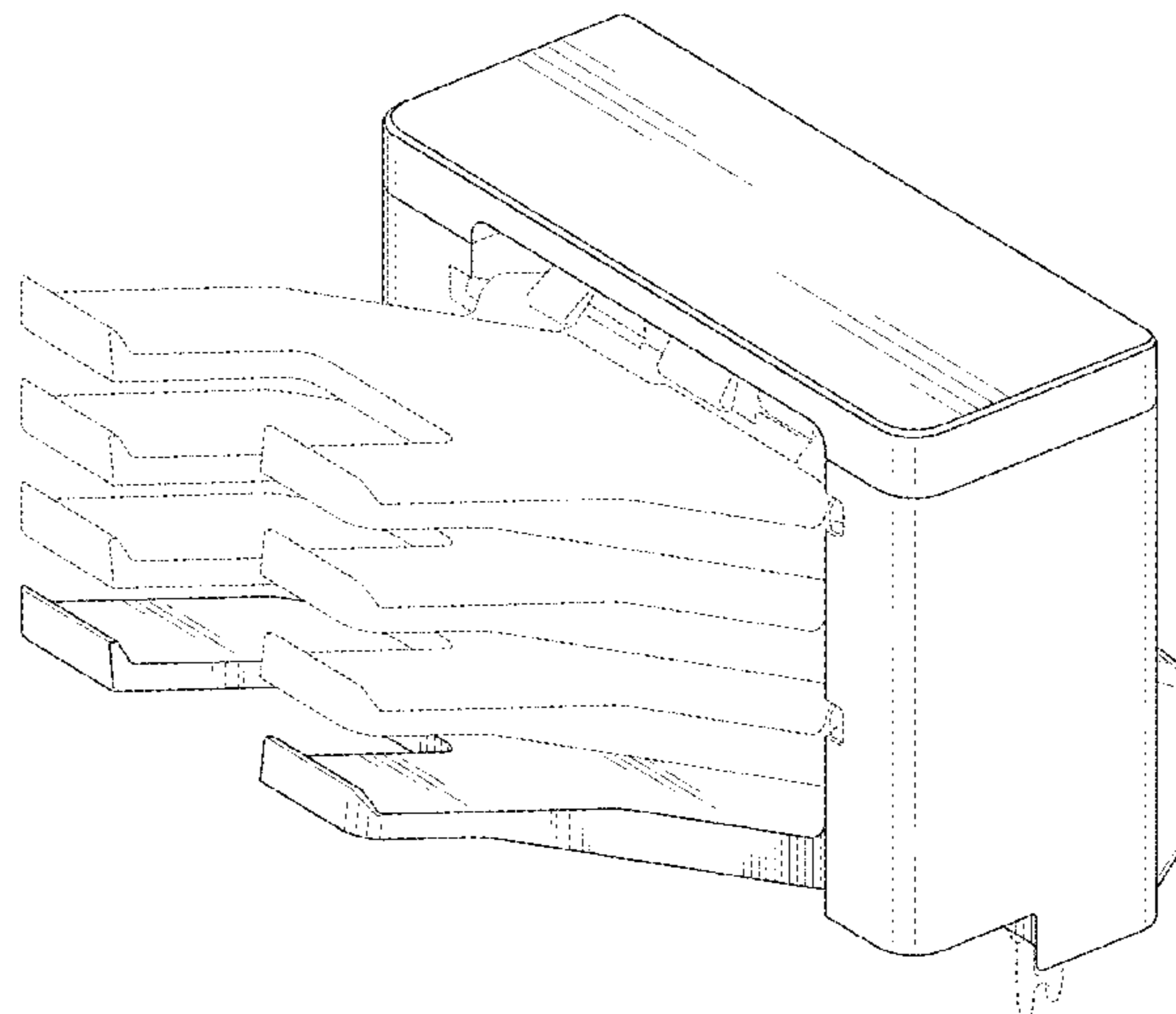
(57) **CLAIM**

The ornamental design for a printer mailbox, as shown and described.

DESCRIPTION

FIG. 1 is a front, right-side perspective view of a printer mailbox showing the new design;
FIG. 2 is a front view thereof;
FIG. 3 is a top view thereof;
FIG. 4 is a right-side view thereof;
FIG. 5 is a left-side view thereof;
FIG. 6 is a rear view thereof; and,
FIG. 7 is a bottom view thereof.
The broken lines shown in the drawings illustrate portions of the printer mailbox that form no part of the claimed design.

1 Claim, 7 Drawing Sheets



(58) **Field of Classification Search**
 CPC 1/00204; H04N 1/00249; H04N 1/00278;
 H04N 1/00602; H04N 1/00631
 See application file for complete search history.

(56) **References Cited**

U.S. PATENT DOCUMENTS

D266,431	S	*	10/1982	Clowe	D18/38
D267,799	S	*	2/1983	Esaki	D14/470
D314,397	S	*	2/1991	Hashimoto	D18/37
D319,472	S	*	8/1991	Clyburn	D18/49
D324,232	S	*	2/1992	Ronzani	D18/55
D396,879	S	*	8/1998	Senshiki	D18/47
D400,219	S	*	10/1998	Mercier	D15/145
6,064,498	A	*	5/2000	Taniguchi H04N 1/00525	271/3.03
D483,400	S		12/2003	Ortiz		
D531,214	S	*	10/2006	King	D18/59

D532,816	S	*	11/2006	Smith	D18/50
D549,278	S	*	8/2007	Ramos	D18/40
D623,220	S		9/2010	Kim et al.		
D630,245	S		1/2011	Terenzio et al.		
D681,108	S	*	4/2013	Lim	D18/50
D726,813	S	*	4/2015	Gonzalez	D18/3.3
D730,356	S	*	5/2015	Sato	D14/421
D733,711	S	*	7/2015	Nakagawa	D14/421
D765,771	S	*	9/2016	Kim	D18/49
2008/0112007	A1	*	5/2008	Yamada G03G 15/0178	358/1.15

OTHER PUBLICATIONS

Brother Mx-4000 Mailbox, posted Apr. 3, 2016 [online], retrieved [Sep. 28, 2016], Retrieved from Internet, URL: <<https://www.amazon.com/Brother-Mx-4000-Mailbox-Plain-Sheets/dp/B01DRWW6P4>>.*

* cited by examiner

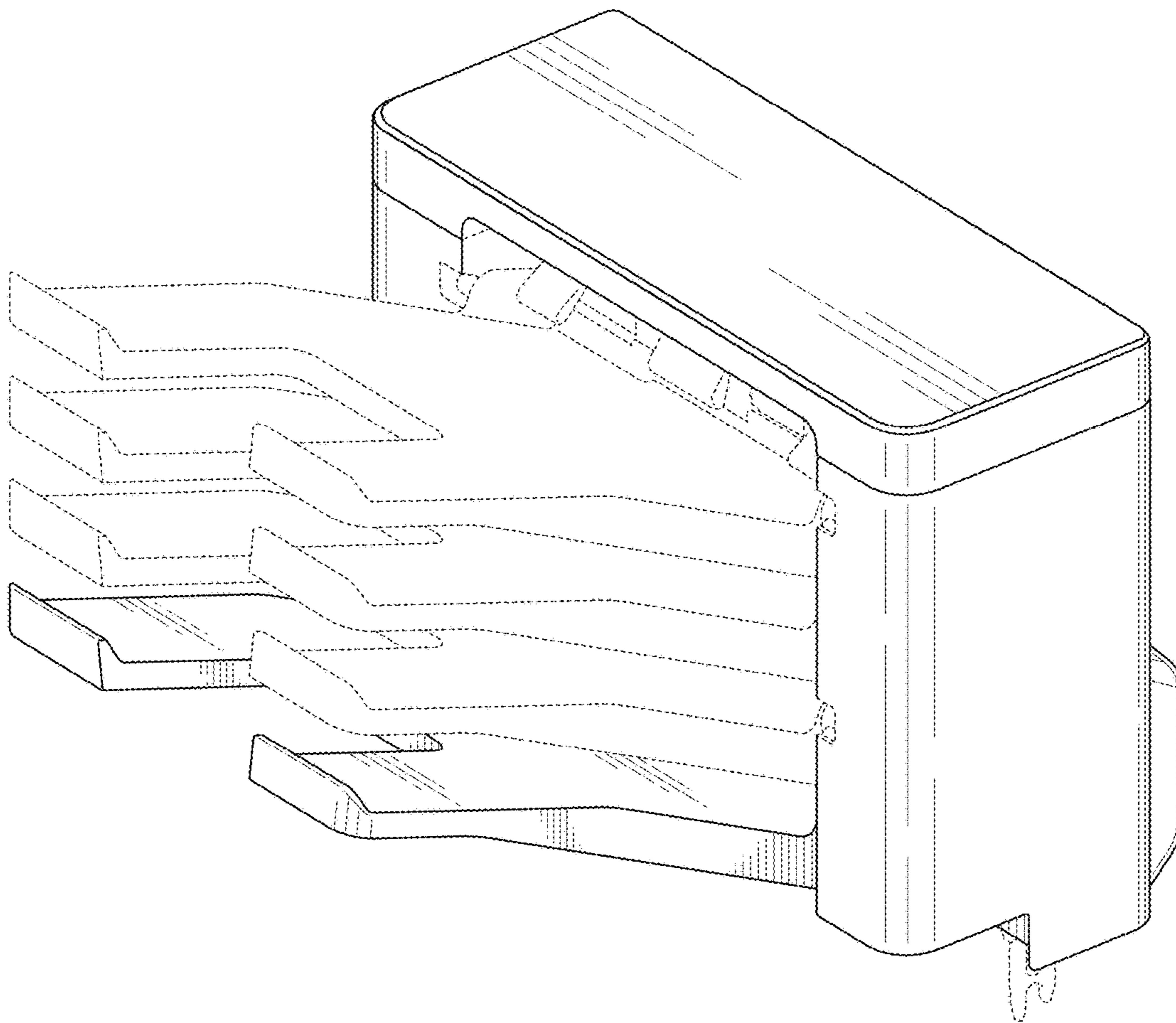


FIG. 1

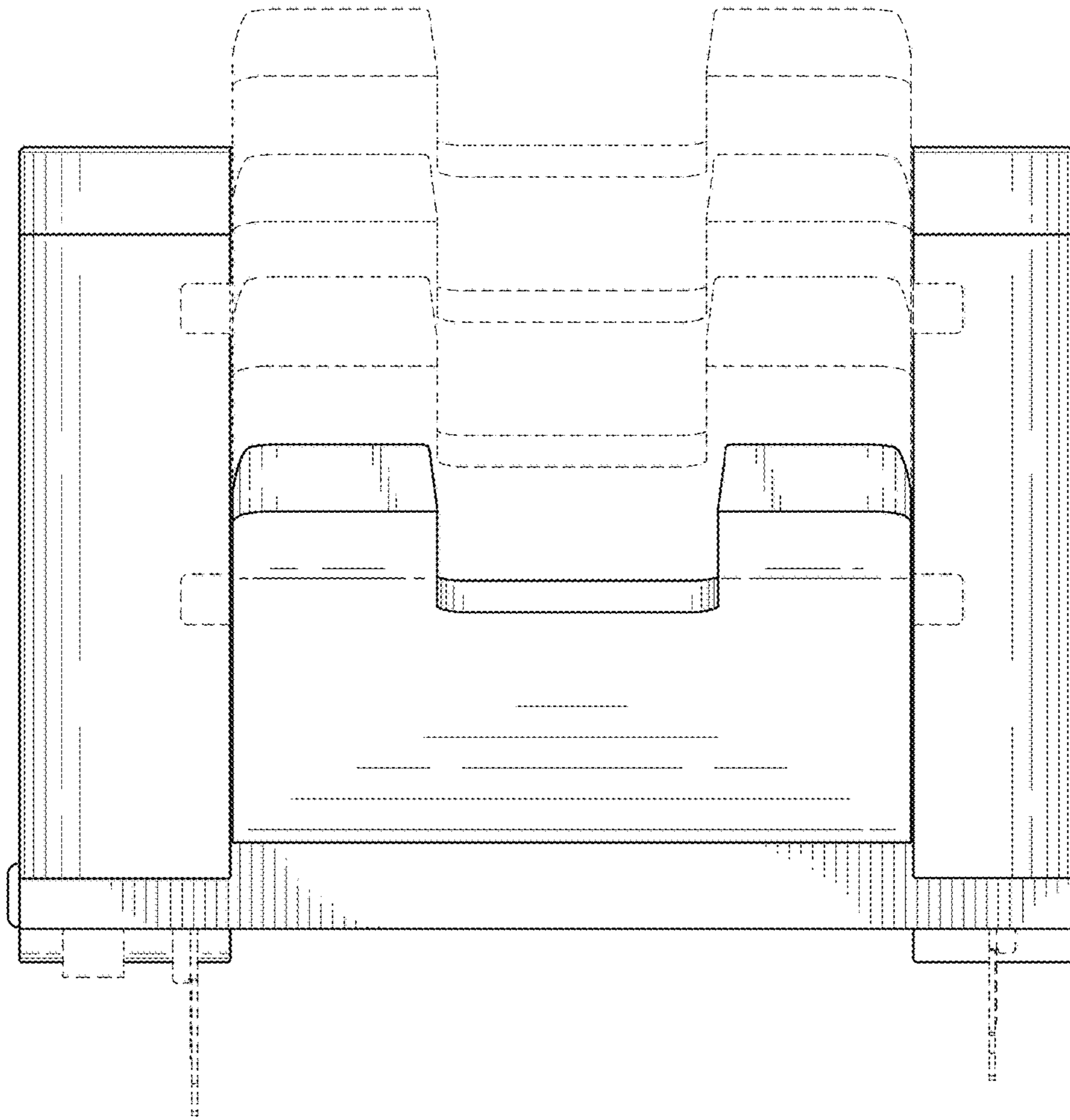


FIG. 2

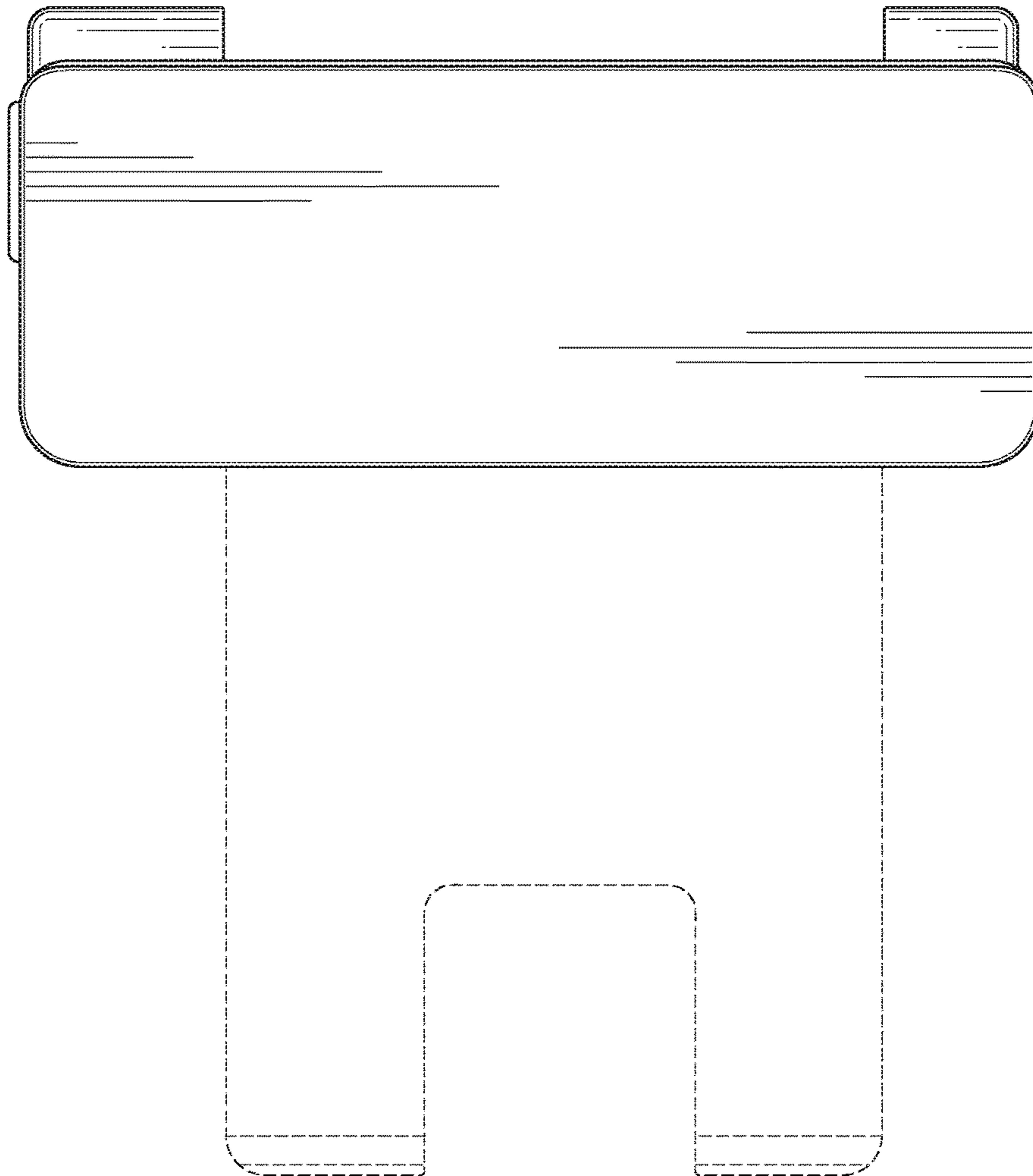


FIG. 3

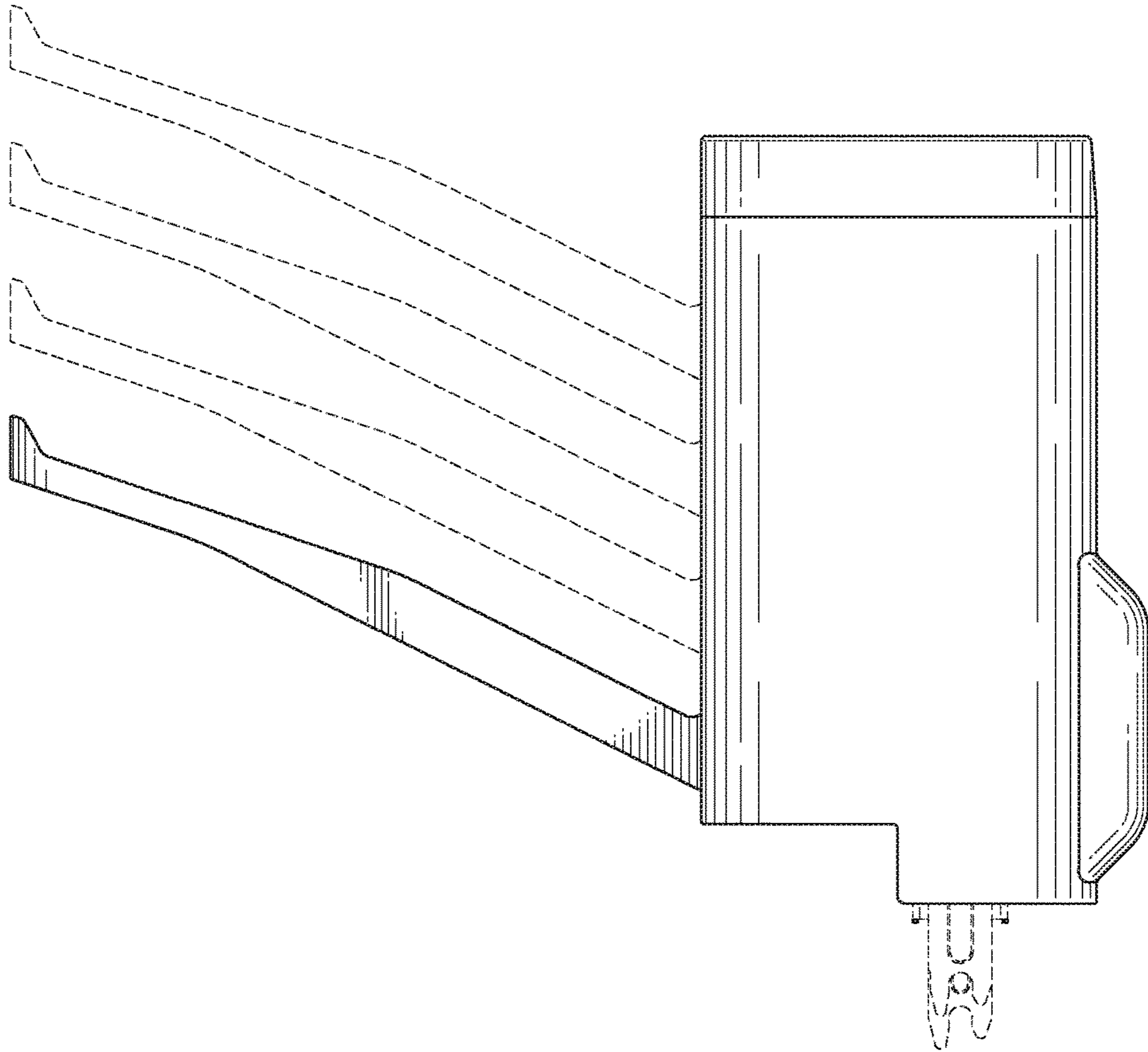


FIG. 4

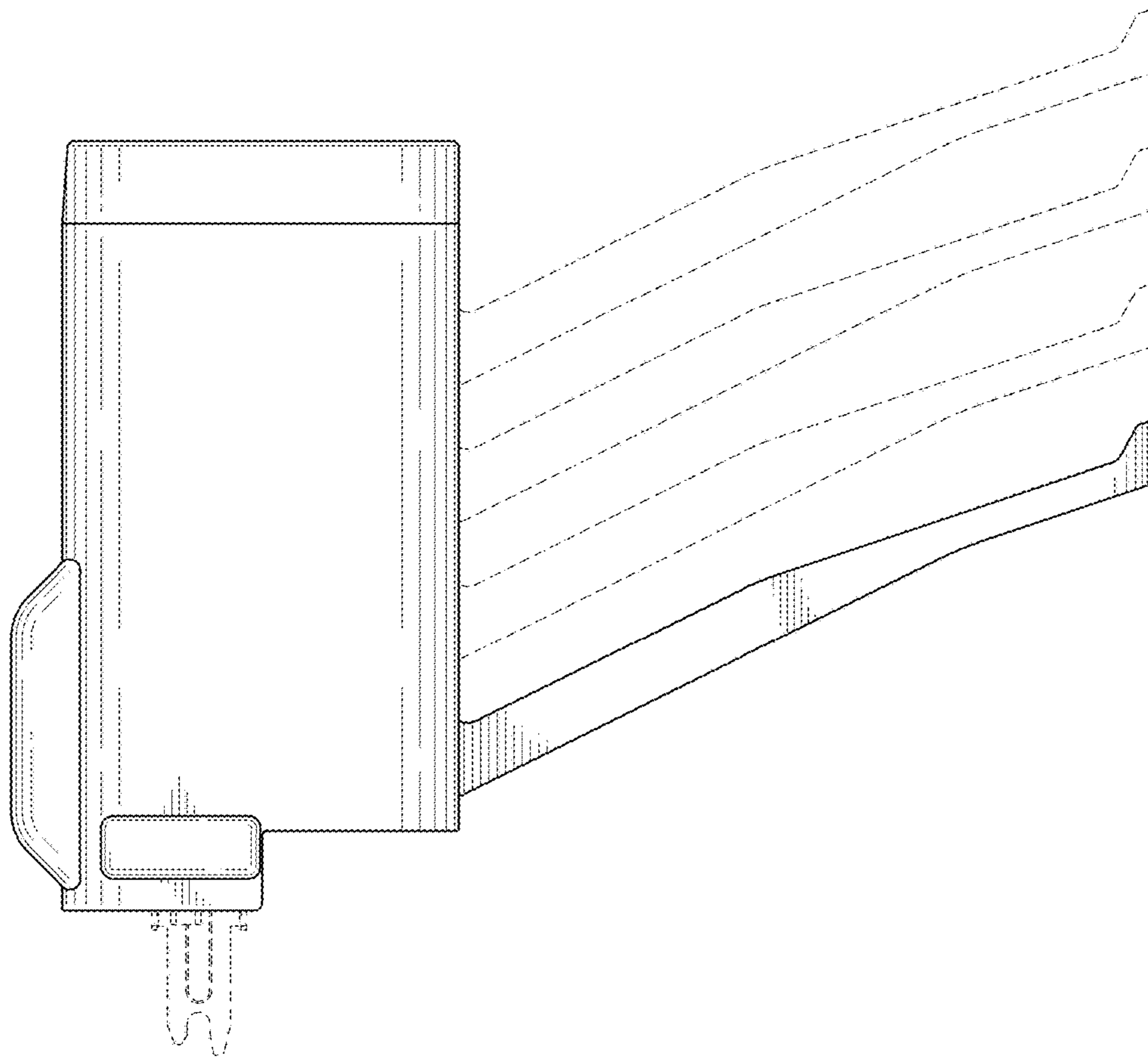


FIG. 5

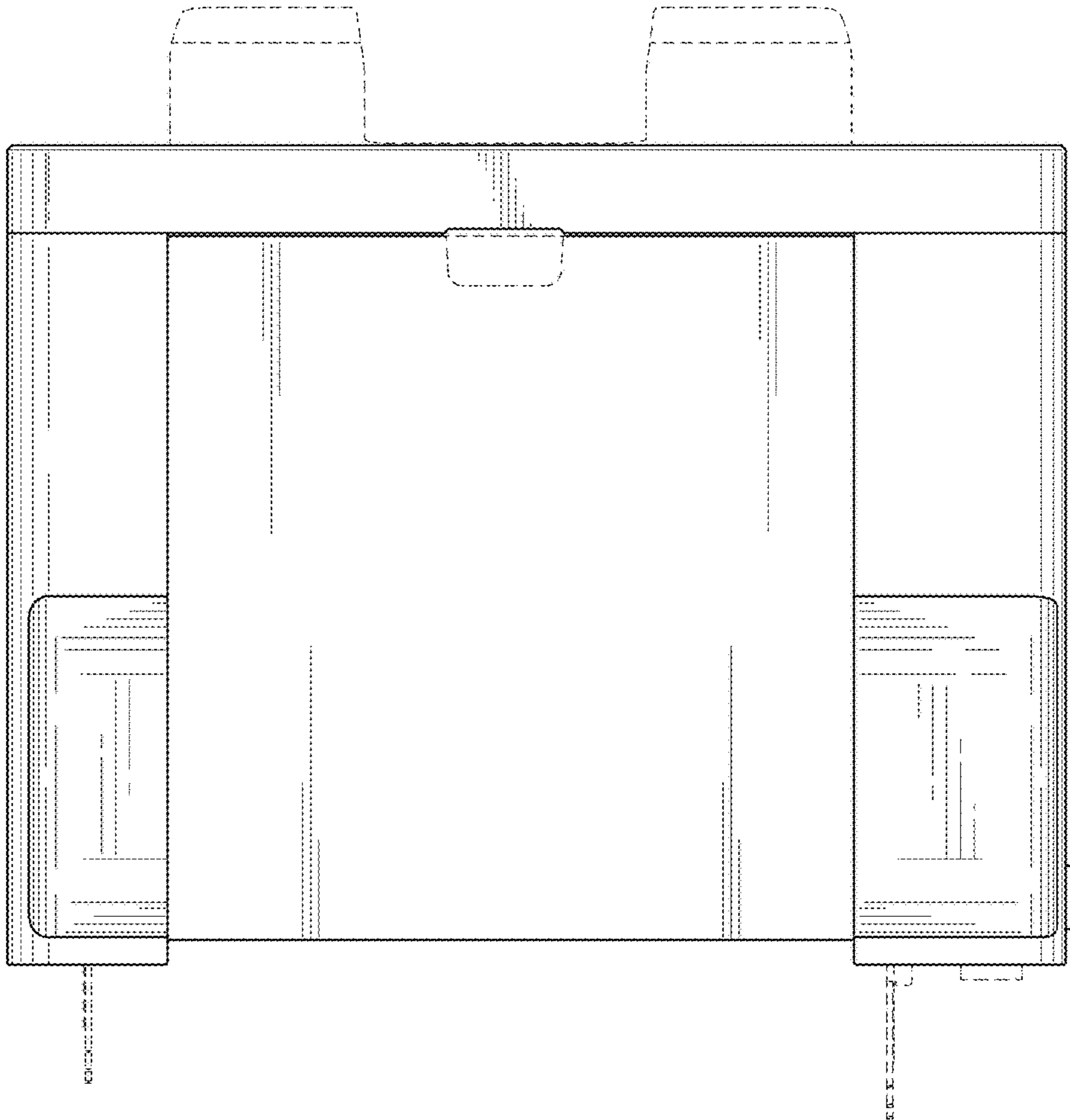


FIG. 6

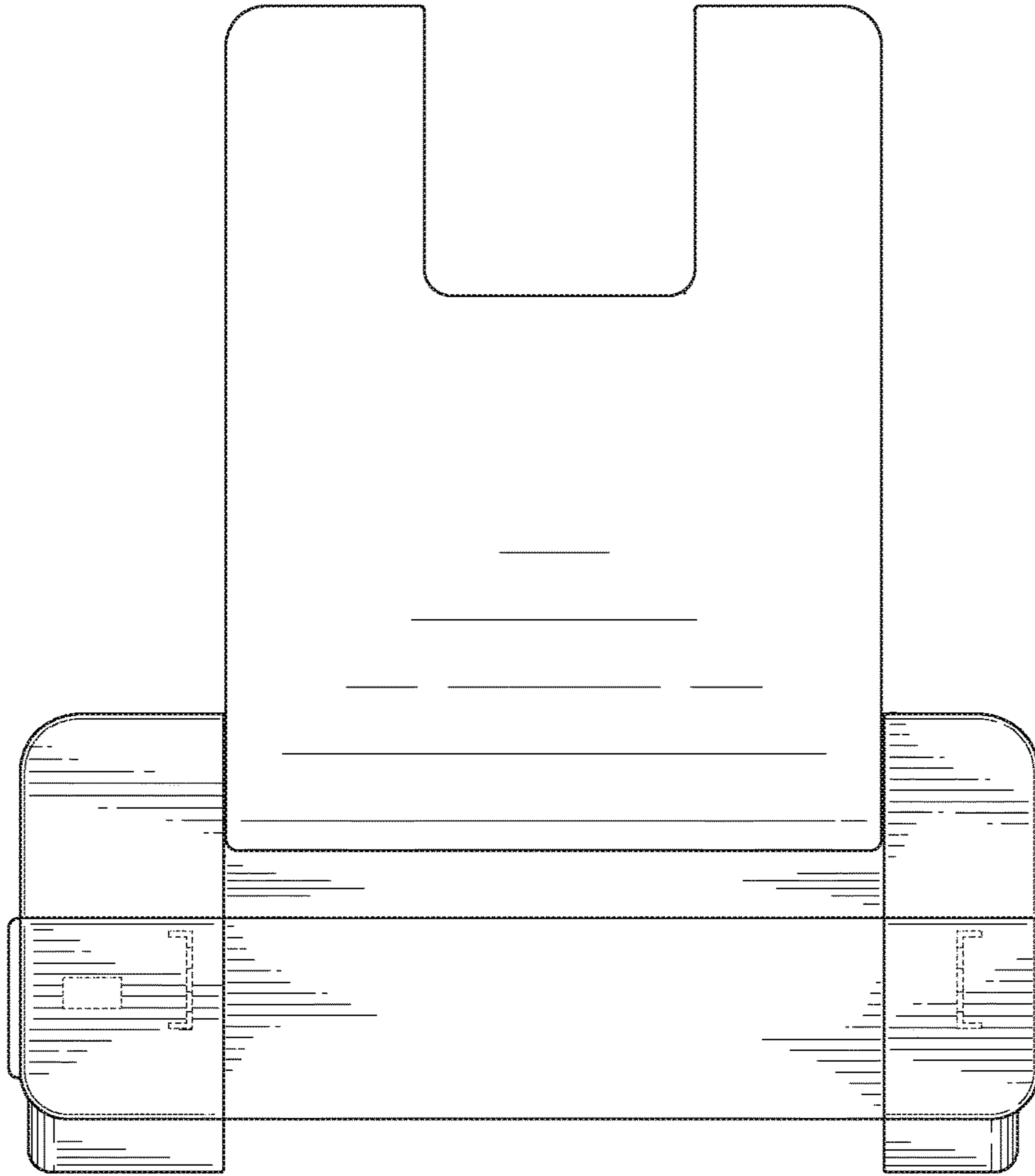


FIG. 7