



US00D783706S

(12) **United States Design Patent** (10) **Patent No.:** **US D783,706 S**
Besim (45) **Date of Patent:** **** Apr. 11, 2017**

(54) **EYEGLASSES**

(71) Applicant: **Sener Besim**, South Yarra (AU)

(72) Inventor: **Sener Besim**, South Yarra (AU)

(**) Term: **14 Years**

(21) Appl. No.: **29/523,182**

(22) Filed: **Apr. 7, 2015**

(51) **LOC (10) Cl.** **16-09**

(52) **U.S. Cl.**
USPC **D16/335**

(58) **Field of Classification Search**
USPC D16/101, 300-342, 900; D29/109-110;
D21/483, 659-661; D14/372; 351/41,
351/44, 45-48, 51-52, 62, 158, 92,
351/103-123, 140-153, 63, 59; 2/13, 15,
2/426-432, 447-449, 441, 434-437
CPC G02C 2200/08; G02C 1/06; G02C 5/14;
G02C 11/02; G02C 11/04; G02C 5/16;
G02C 2200/22; G02C 5/146; G02C
5/2254; G02C 5/008; G01C 5/16; A61M
2021/0044; A63B 33/002
See application file for complete search history.

(56) **References Cited**

U.S. PATENT DOCUMENTS

D121,637 S *	7/1940	Reynolds	D16/334
D135,140 S *	3/1943	Neary	D16/316
D135,141 S *	3/1943	Reynolds	D16/335
D164,145 S *	7/1951	Wright	D16/335
D166,578 S *	4/1952	Splaine	D16/335
D308,877 S *	6/1990	Shirode	D16/319

5,844,655 A *	12/1998	Chang	G02C 5/2209 351/113
D423,555 S *	4/2000	Conner	D16/328
D559,886 S *	1/2008	Masterson	D16/303
D636,009 S *	4/2011	Hunt	D16/306
D682,924 S *	5/2013	Cheung	D16/334
D733,210 S *	6/2015	Keller	D16/303
D749,669 S *	2/2016	Ho	D16/332
D767,015 S *	9/2016	Chim	D16/323
2005/0251960 A1 *	11/2005	Kanou	G02C 5/008 16/228

* cited by examiner

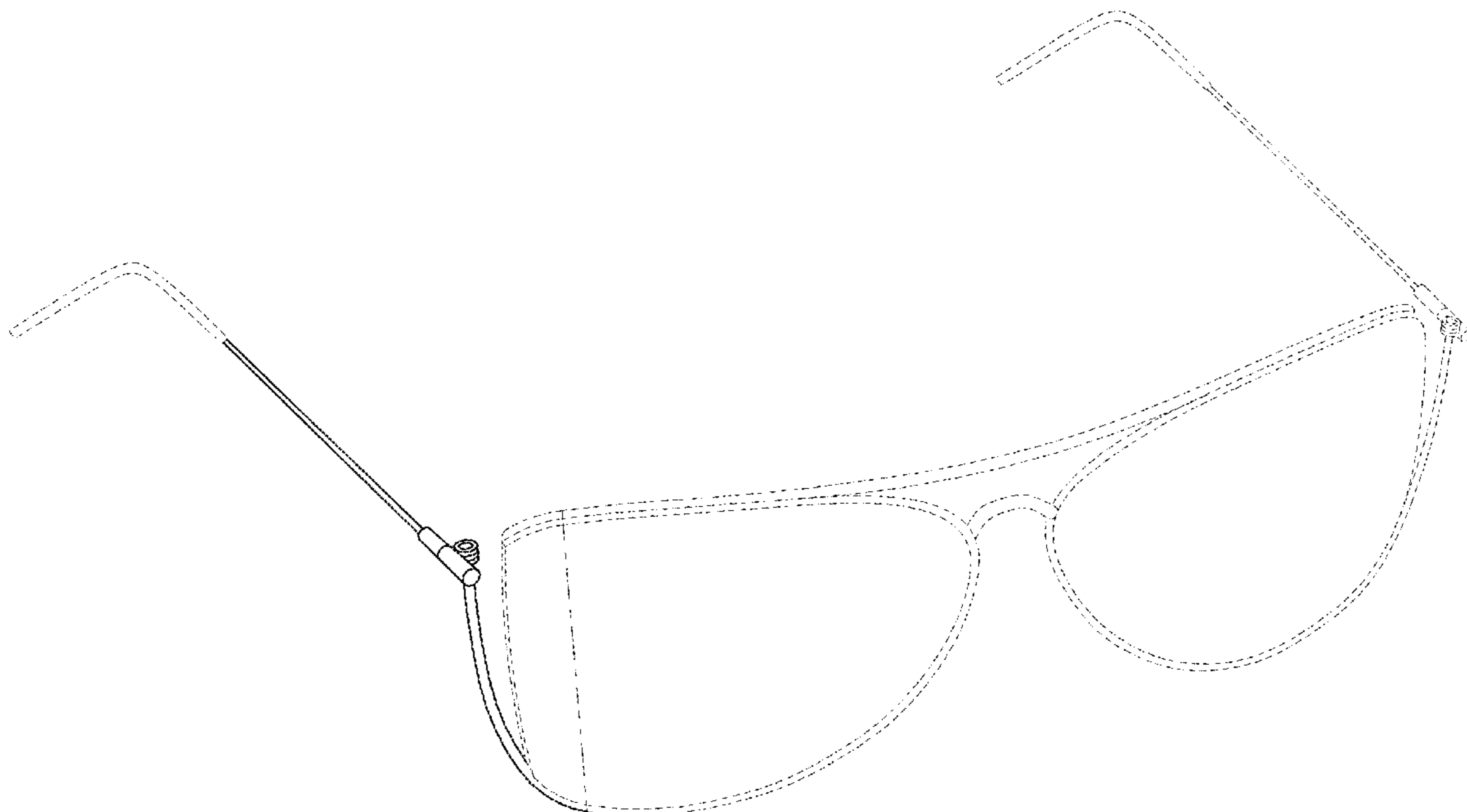
Primary Examiner — Eric Goodman
Assistant Examiner — Sanjeev Paul
(74) *Attorney, Agent, or Firm* — K&L Gates LLP

(57) **CLAIM**
The ornamental design for eyeglasses, as shown and described.

DESCRIPTION

FIG. 1 illustrates a top perspective view of an embodiment of eyeglasses according to the present disclosure; FIG. 2 illustrates a right side elevational view thereof; FIG. 3 illustrates a front side elevational view thereof; The ornamental design for eyeglasses, as shown and described.
FIG. 4 illustrates a top plan view thereof; and, FIG. 5 illustrates a bottom plan view thereof.
The broken lines shown in the drawings are included for the purpose of illustrating environmental structure and form no part of the claimed design. The dot-dash-dot lines represents the bounds of the claimed design and the edge of the partial view as illustrated in FIG. 1.

1 Claim, 3 Drawing Sheets



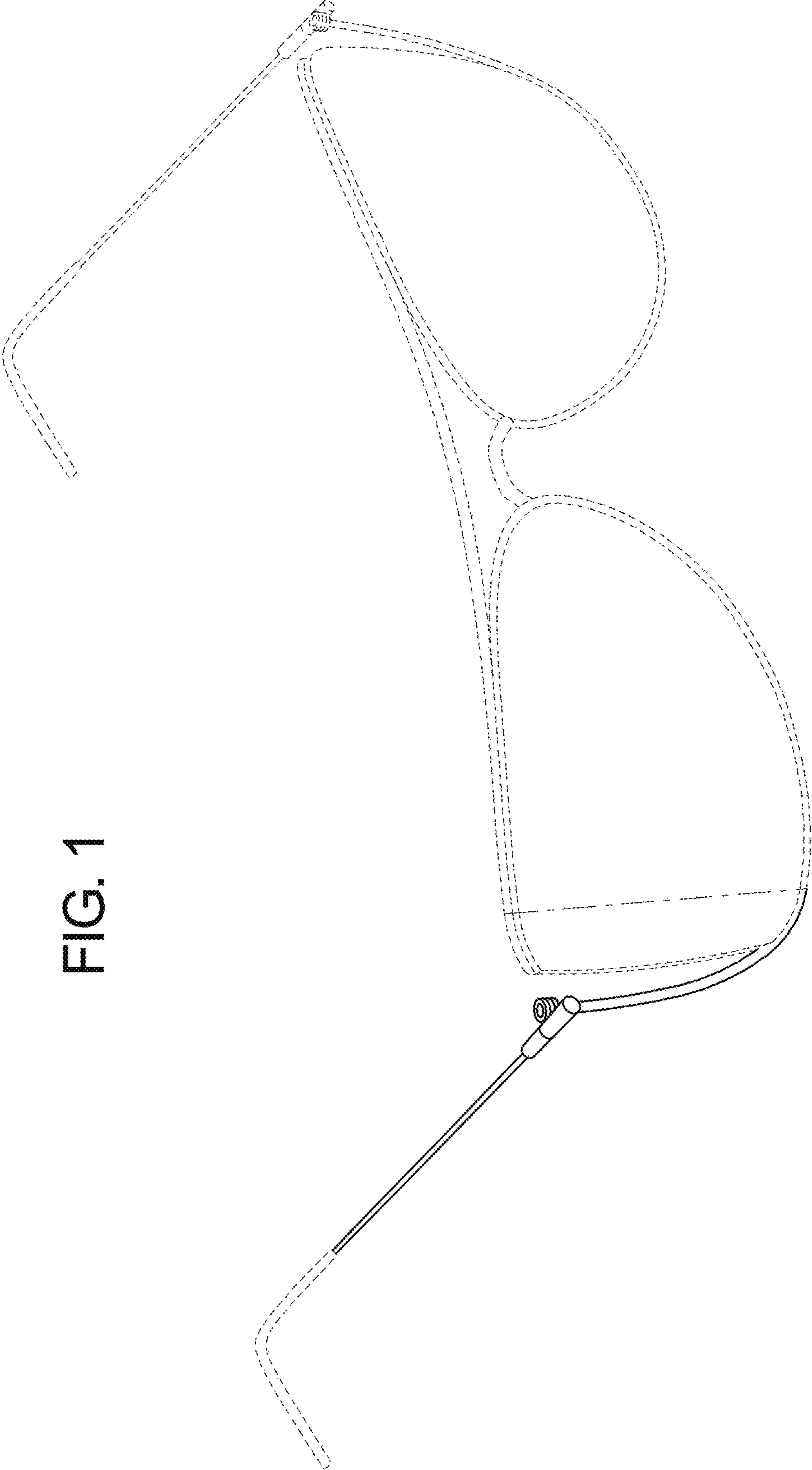


FIG. 1

FIG. 3

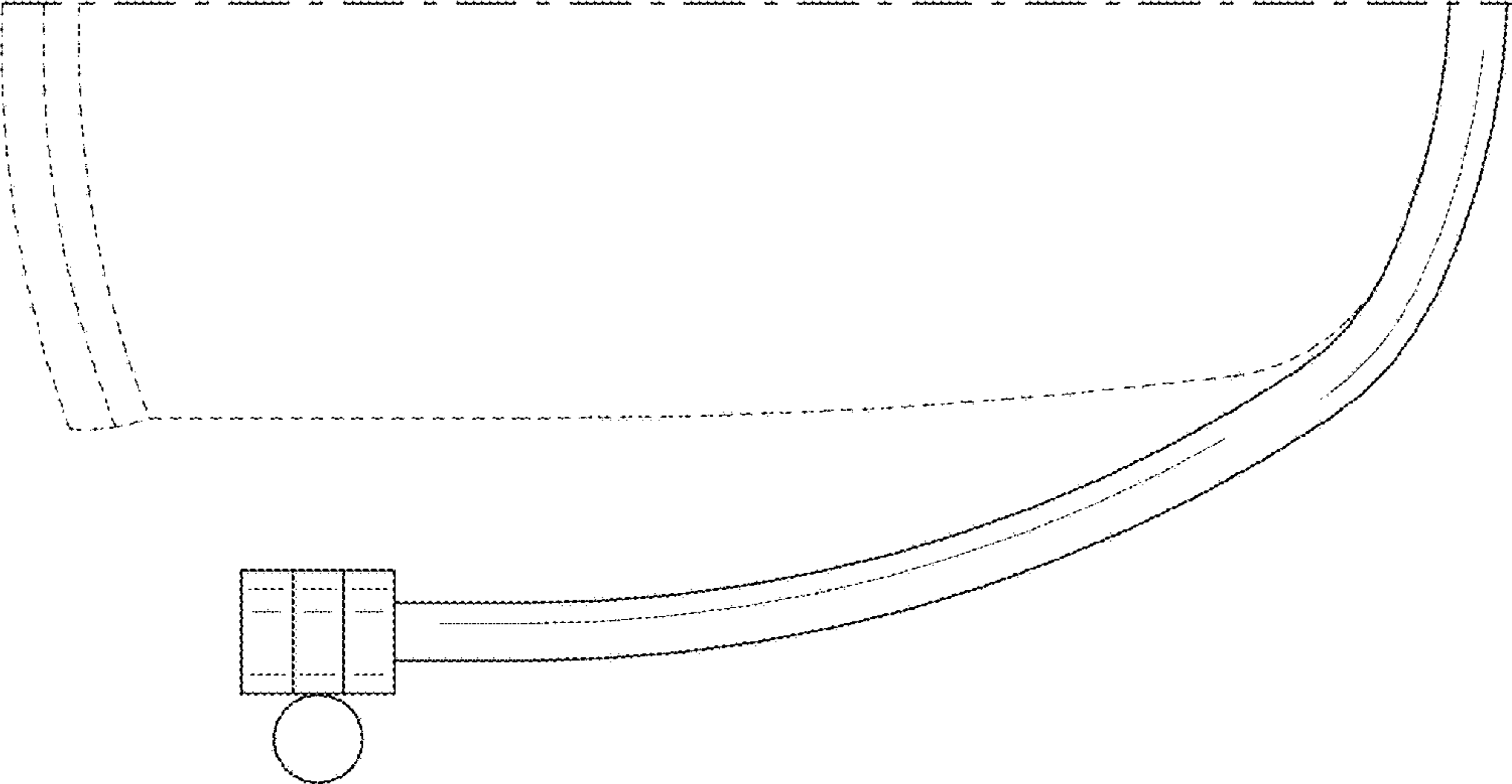


FIG. 2

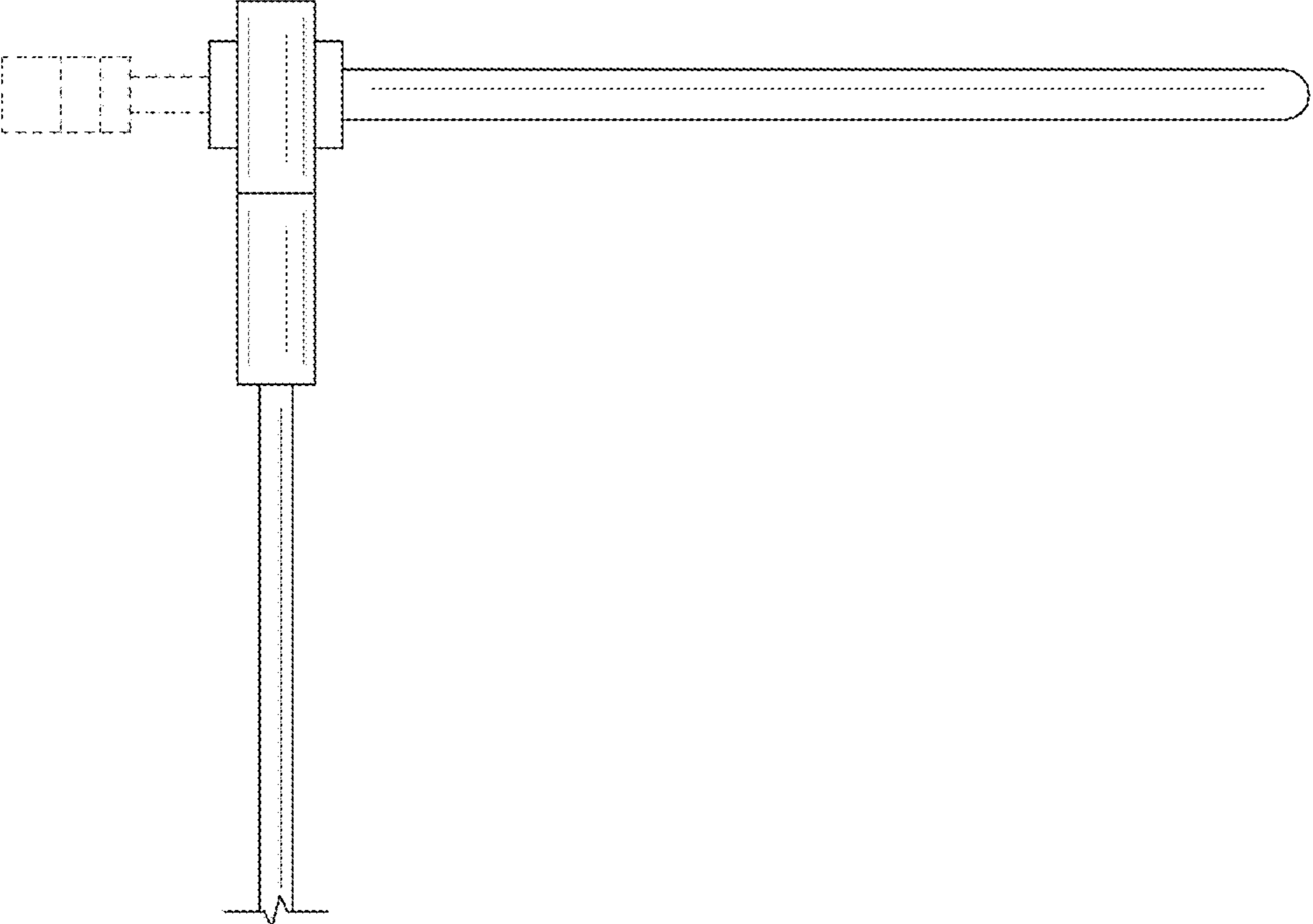


FIG. 5

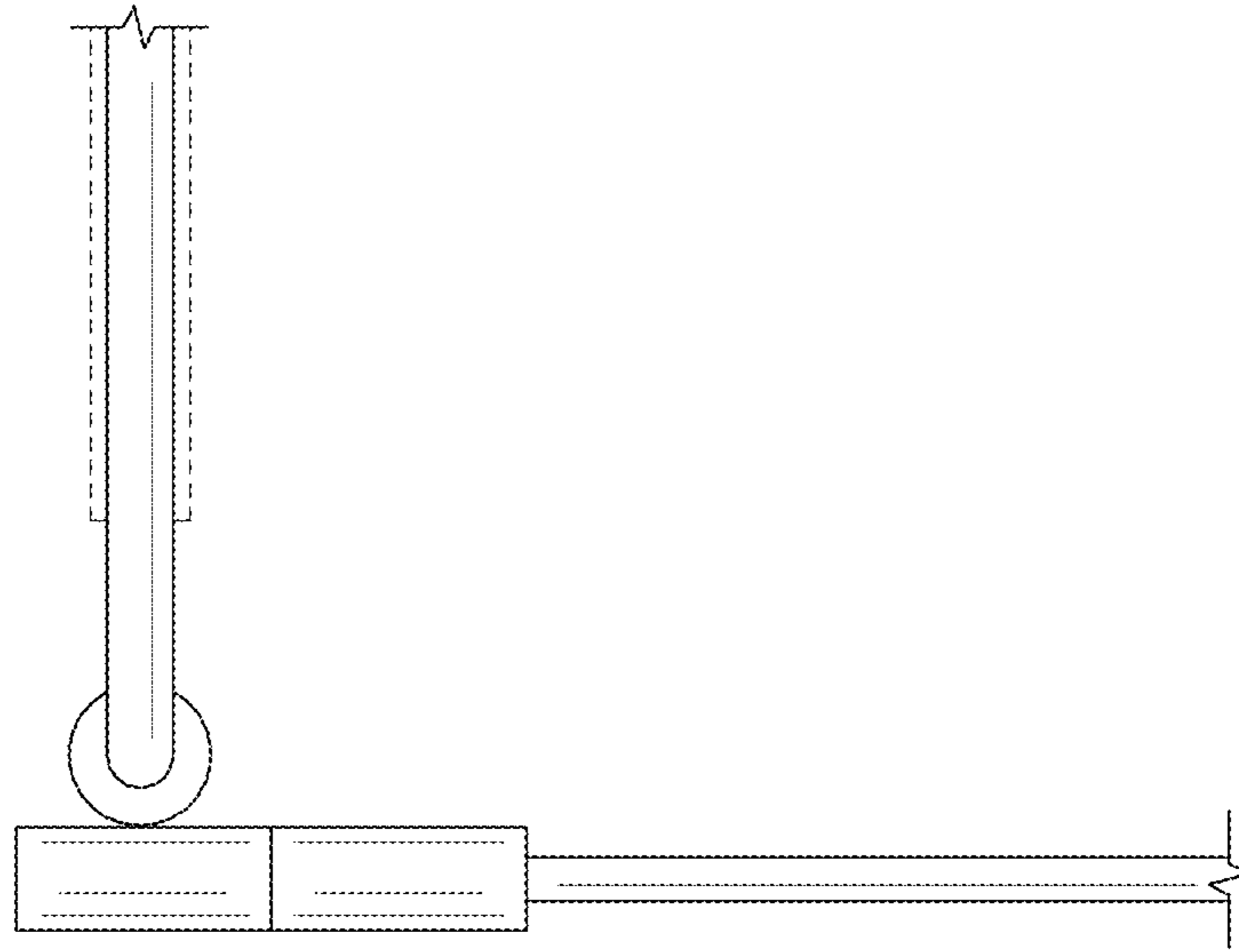


FIG. 4

