



US00D783700S

(12) **United States Design Patent**  
**Tagawa et al.**

(10) **Patent No.:** **US D783,700 S**  
(45) **Date of Patent:** **\*\* Apr. 11, 2017**

(54) **CAMERA LENS**

(71) Applicant: **TAMRON CO., LTD.**, Saitama-shi,  
Saitama (JP)

(72) Inventors: **Kinya Tagawa**, Tokyo (JP); **Shota Matsuda**, Tokyo (JP)

(73) Assignee: **TAMRON CO., LTD.**, Saitama-shi (JP)

(\*\*) Term: **15 Years**

(21) Appl. No.: **29/537,979**

(22) Filed: **Aug. 31, 2015**

(30) **Foreign Application Priority Data**

Jul. 29, 2015 (JP) ..... 2015-016906

(51) **LOC (10) Cl.** ..... **16-05**

(52) **U.S. Cl.**  
USPC ..... **D16/219**

(58) **Field of Classification Search**

USPC ..... D16/200, 210, 211, 218, 219, 202-206,  
D16/208, 217; D9/414, 418, 427, 430,  
D9/432; D6/517, 524, 527, 528, 531,  
D6/535, 559; D14/174, 194, 204, 221;  
348/148, 372-376; 396/529, 535,  
396/539-541

CPC ..... G03B 15/03; G03B 17/02; G03B 17/04;  
G03B 17/56; G03B 19/04; G03B 1/00;  
G03B 7/00; G03B 13/02; G03B 13/04;  
G03B 13/1963; H04N 5/2251; H04N  
5/2252; H04N 5/2253; H04N 5/2254

See application file for complete search history.

(56) **References Cited**

**U.S. PATENT DOCUMENTS**

5,481,406 A \* 1/1996 Yamazaki ..... G03B 17/08  
359/694  
D412,922 S \* 8/1999 Sekine ..... D16/134

D420,029 S \* 2/2000 Kimura ..... D16/134  
D433,044 S \* 10/2000 Nagaoka ..... D16/134  
D441,382 S \* 5/2001 Konno ..... D16/134  
D449,322 S \* 10/2001 Ono ..... D16/134  
D562,865 S \* 2/2008 Yasutomi ..... D16/134  
D566,158 S \* 4/2008 Yasutomi ..... D16/134  
D583,847 S \* 12/2008 Watanabe ..... D16/134  
D684,208 S \* 6/2013 Lee ..... D16/219  
D684,620 S \* 6/2013 Kim ..... D16/219

(Continued)

*Primary Examiner* — Robin V Webster

*Assistant Examiner* — Rachel Voorhies

(74) *Attorney, Agent, or Firm* — Westerman, Hattori,  
Daniels & Adrian, LLP

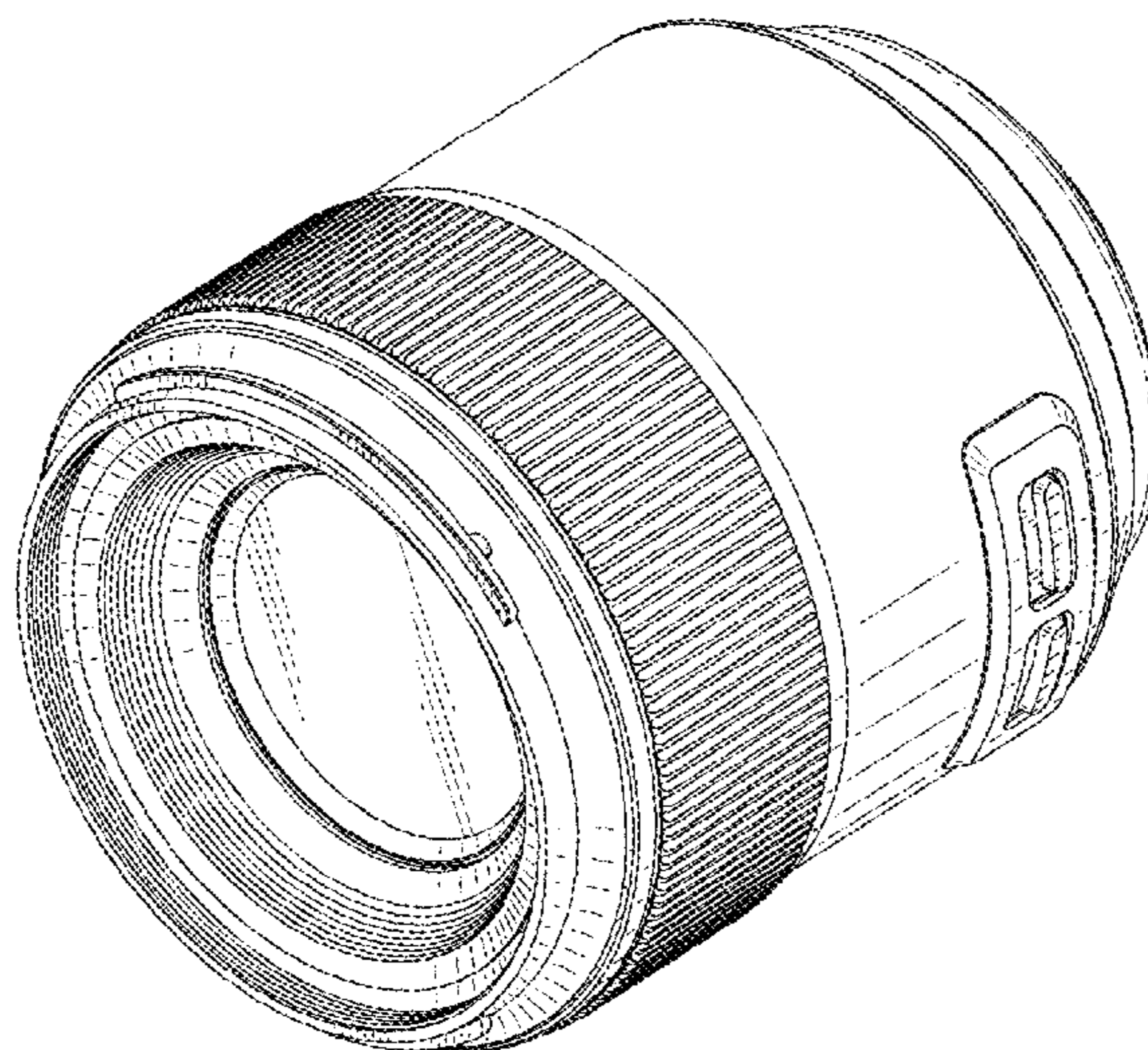
(57) **CLAIM**

The ornamental design for a camera lens, as shown and described.

**DESCRIPTION**

FIG. 1 is a front, left, bottom perspective view of a camera lens, showing our new design,  
FIG. 2 is a perspective view taken from a rear, right, top plan side thereof,  
FIG. 3 is a front elevation view thereof,  
FIG. 4 is a rear elevation thereof,  
FIG. 5 is a left side elevation view thereof,  
FIG. 6 is a right side elevation view thereof,  
FIG. 7 is a top plan view thereof,  
FIG. 8 is a bottom plan view thereof,  
FIG. 9 is another left side elevation view thereof; and,  
FIG. 10 is a cross section thereof taken along a line 10-10 of FIG. 9, in which the inside mechanism of the camera lens, which is not claimed, is omitted.  
The oblique line shading in FIGS. 5 and 6 indicates transparency.

**1 Claim, 5 Drawing Sheets**



(56)

References Cited

U.S. PATENT DOCUMENTS

D693,870	S *	11/2013	Kim	.....	D16/219
D696,709	S *	12/2013	Sato	.....	D16/219
D697,542	S *	1/2014	Kim	.....	D16/219
D697,543	S *	1/2014	Kim	.....	D16/219
D713,870	S *	9/2014	Li	.....	D16/219
D718,362	S *	11/2014	Noh	.....	D16/219
D726,239	S *	4/2015	So	.....	D16/219
D736,847	S *	8/2015	Kobayashi	.....	D16/134
D737,359	S *	8/2015	Jung	.....	D16/219
D737,360	S *	8/2015	Jung	.....	D16/219
D741,937	S *	10/2015	Park	.....	D16/219
D744,024	S *	11/2015	Oh	.....	D16/219
2009/0279192	A1 *	11/2009	Harada	.....	G02B 7/04 359/825
2011/0164172	A1 *	7/2011	Shintani	.....	G03B 9/36 348/362
2013/0028590	A1 *	1/2013	Hasuda	.....	G03B 17/14 396/530
2013/0088632	A1 *	4/2013	Korekuni	.....	H04N 5/23209 348/335
2014/0211083	A1 *	7/2014	Wakikawa	.....	H04N 5/2254 348/373
2014/0369674	A1 *	12/2014	Neff	.....	G03B 11/041 396/448
2015/0049202	A1 *	2/2015	Okabe	.....	G03B 17/02 348/207.1
2015/0097983	A1 *	4/2015	Kim	.....	H04N 5/23209 348/222.1
2015/0181090	A1 *	6/2015	Park	.....	H04N 5/2254 348/374
2015/0326788	A1 *	11/2015	Tsuge	.....	G03B 17/14 348/211.1

\* cited by examiner



FIG.1

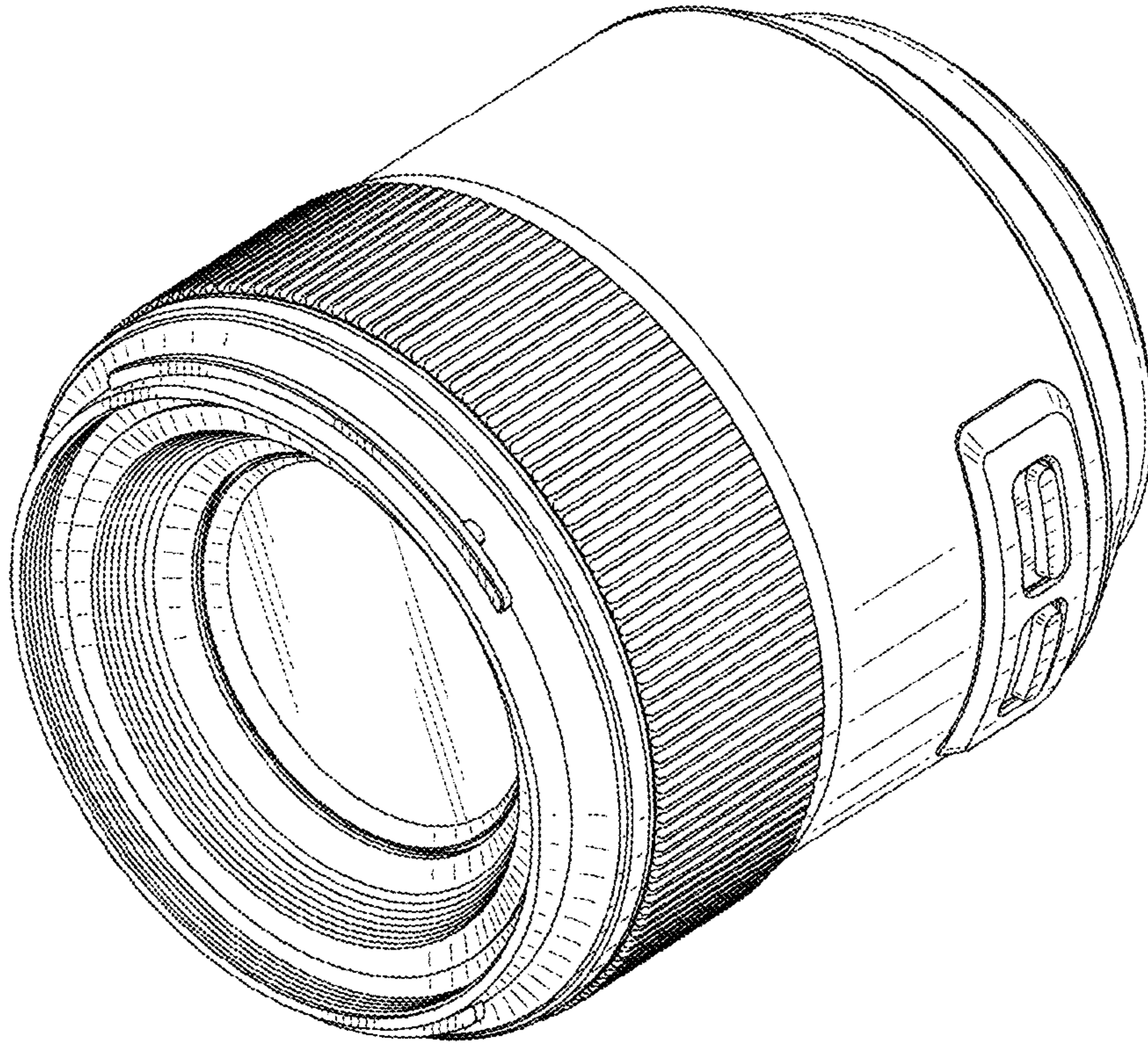


FIG.2

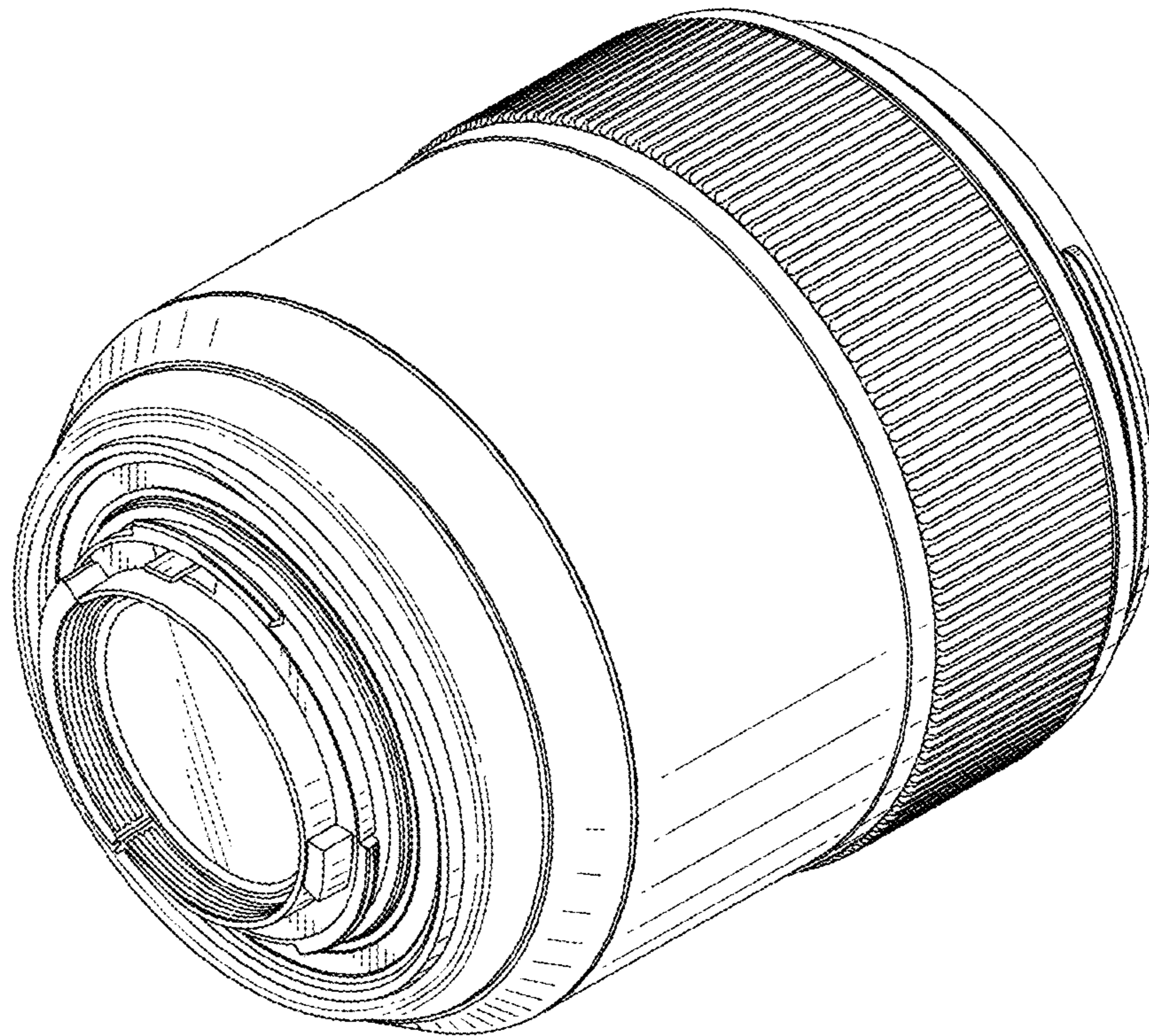




FIG.3

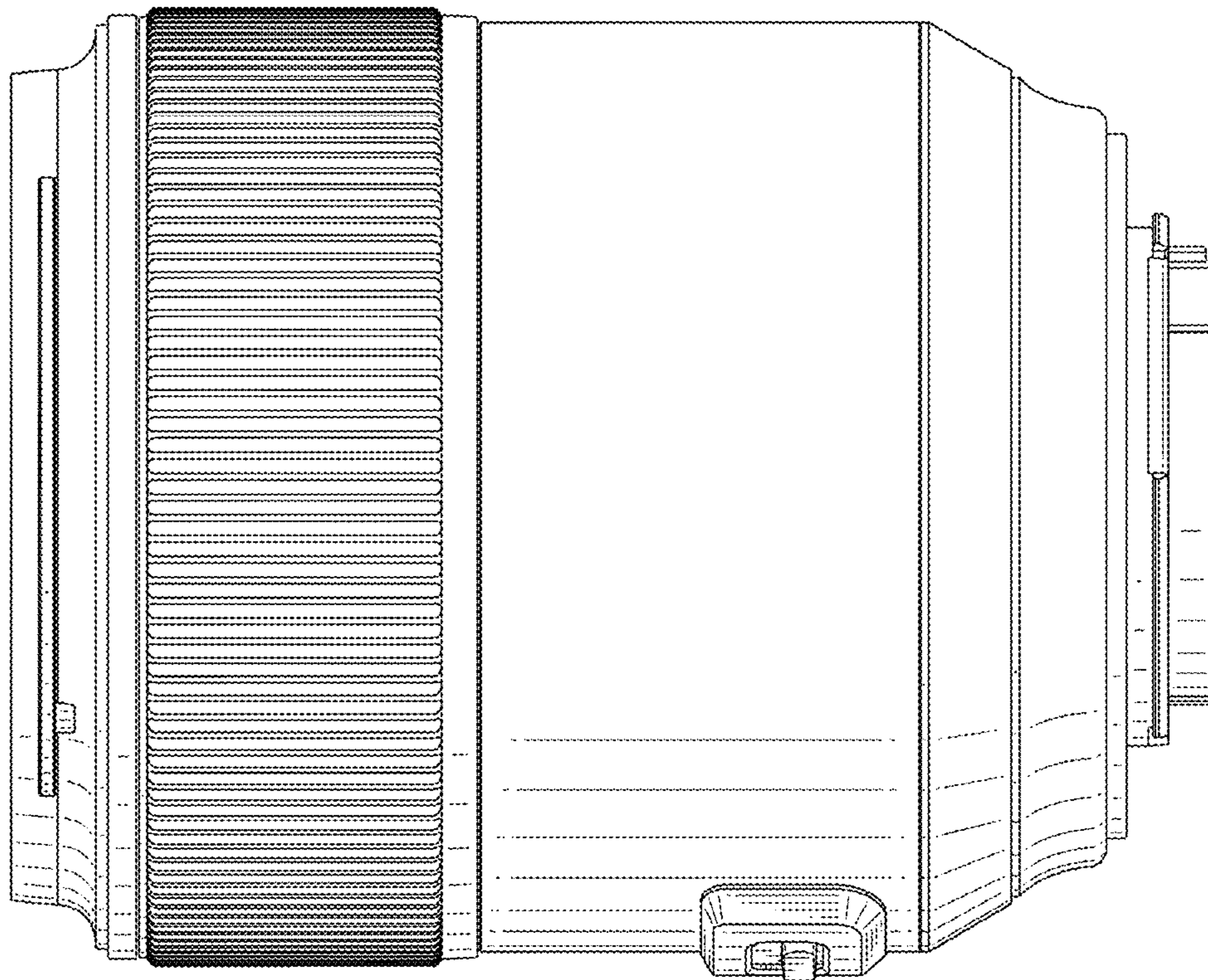


FIG.4

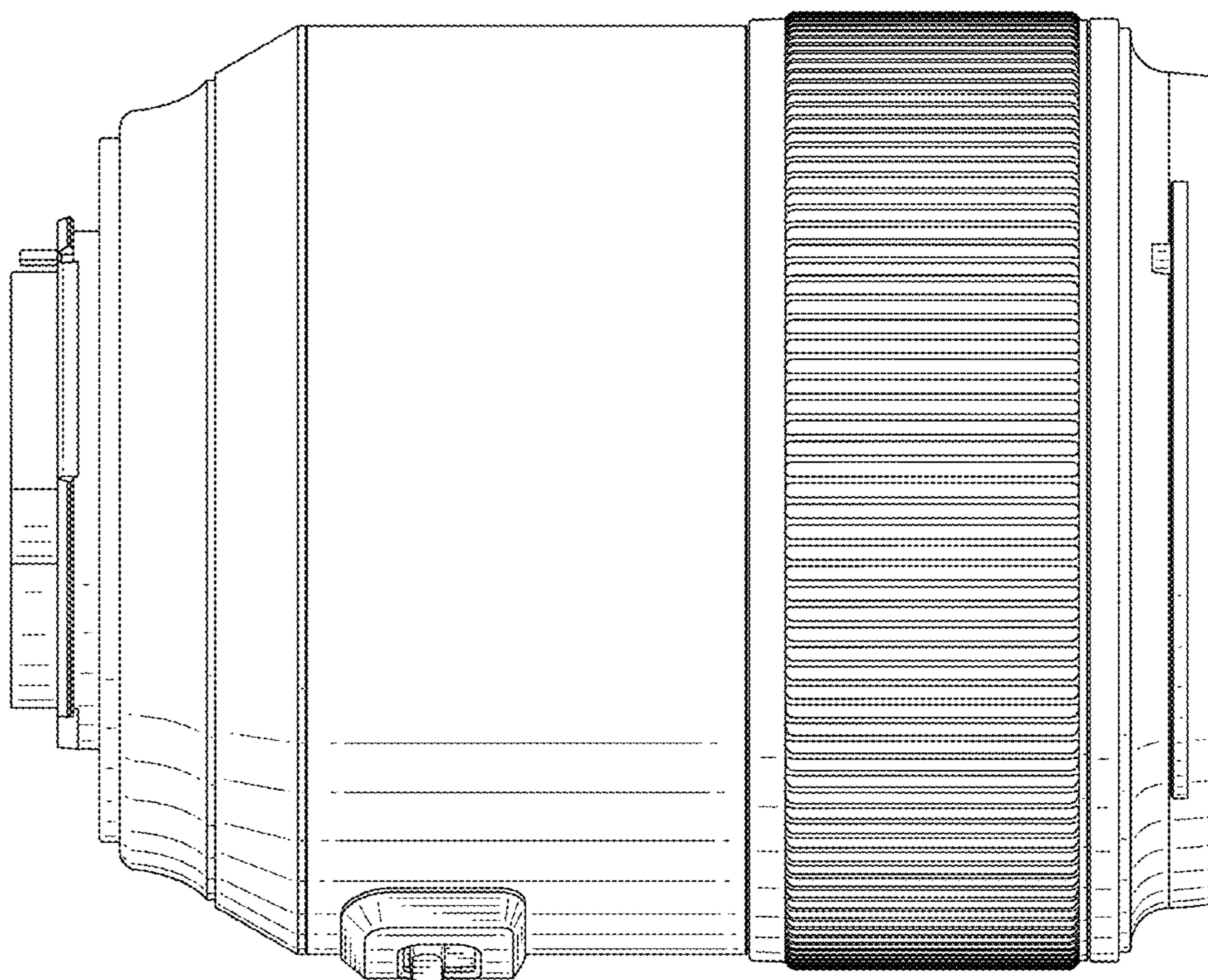




FIG.5

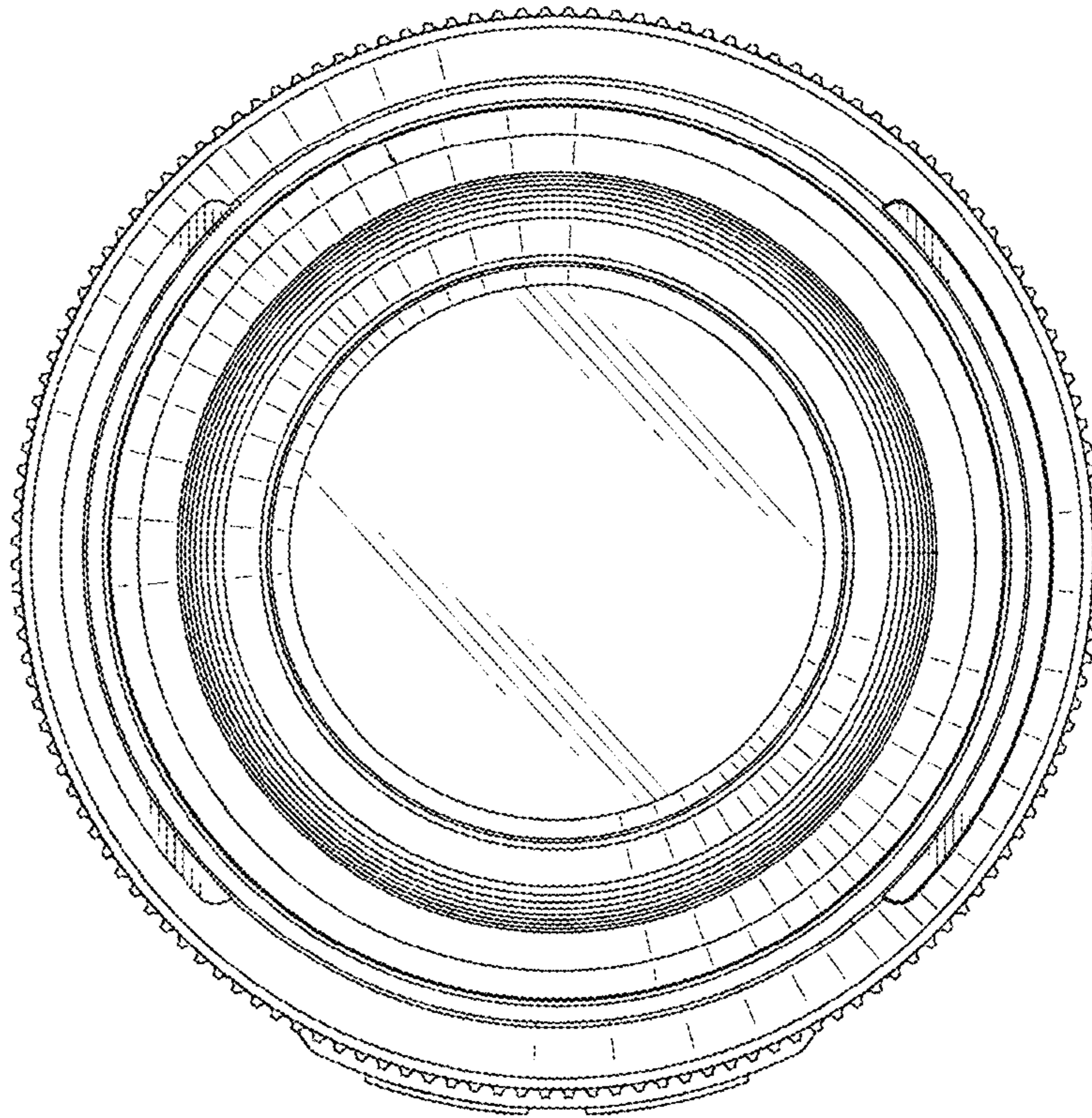


FIG.6

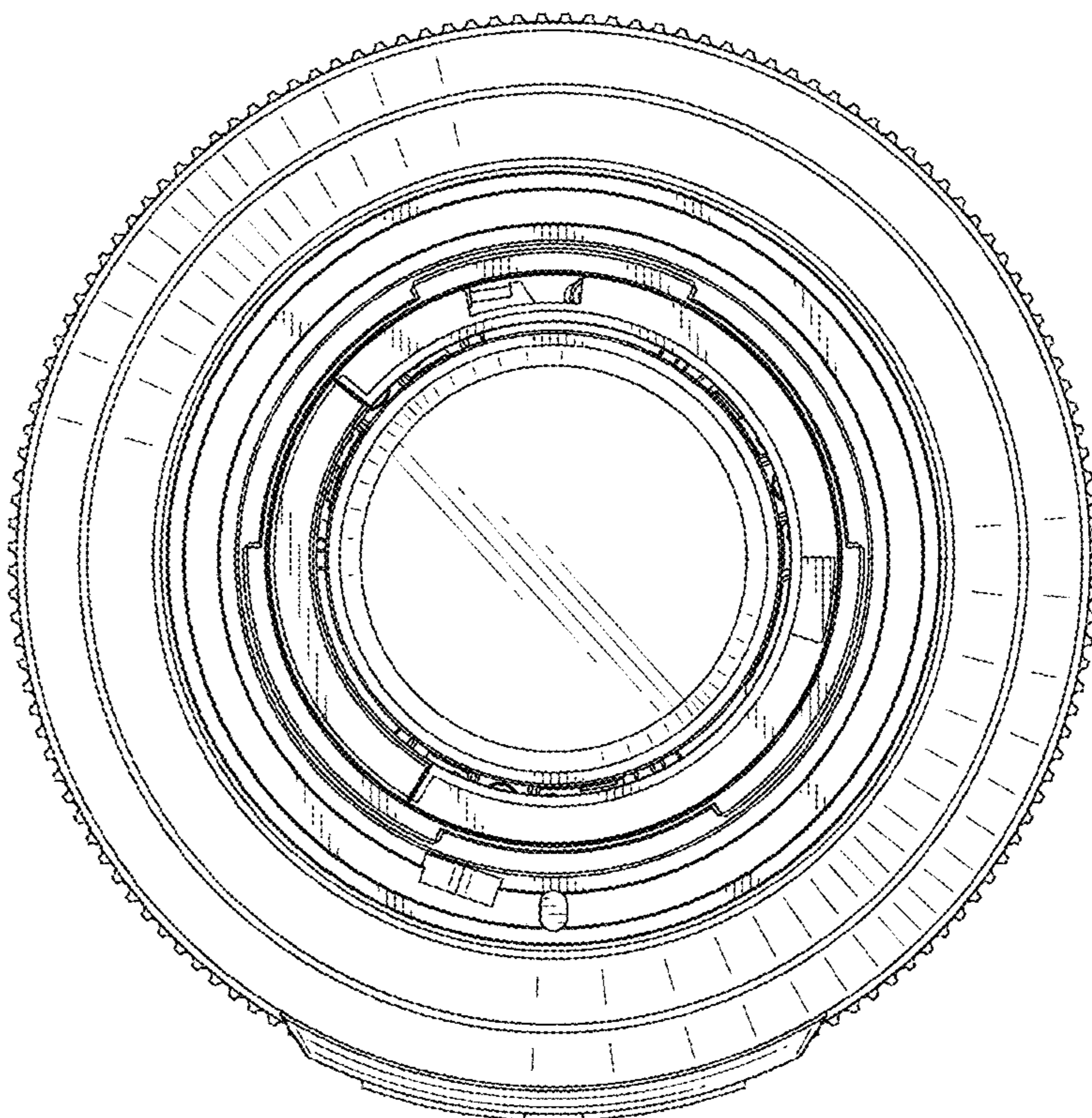




FIG.7

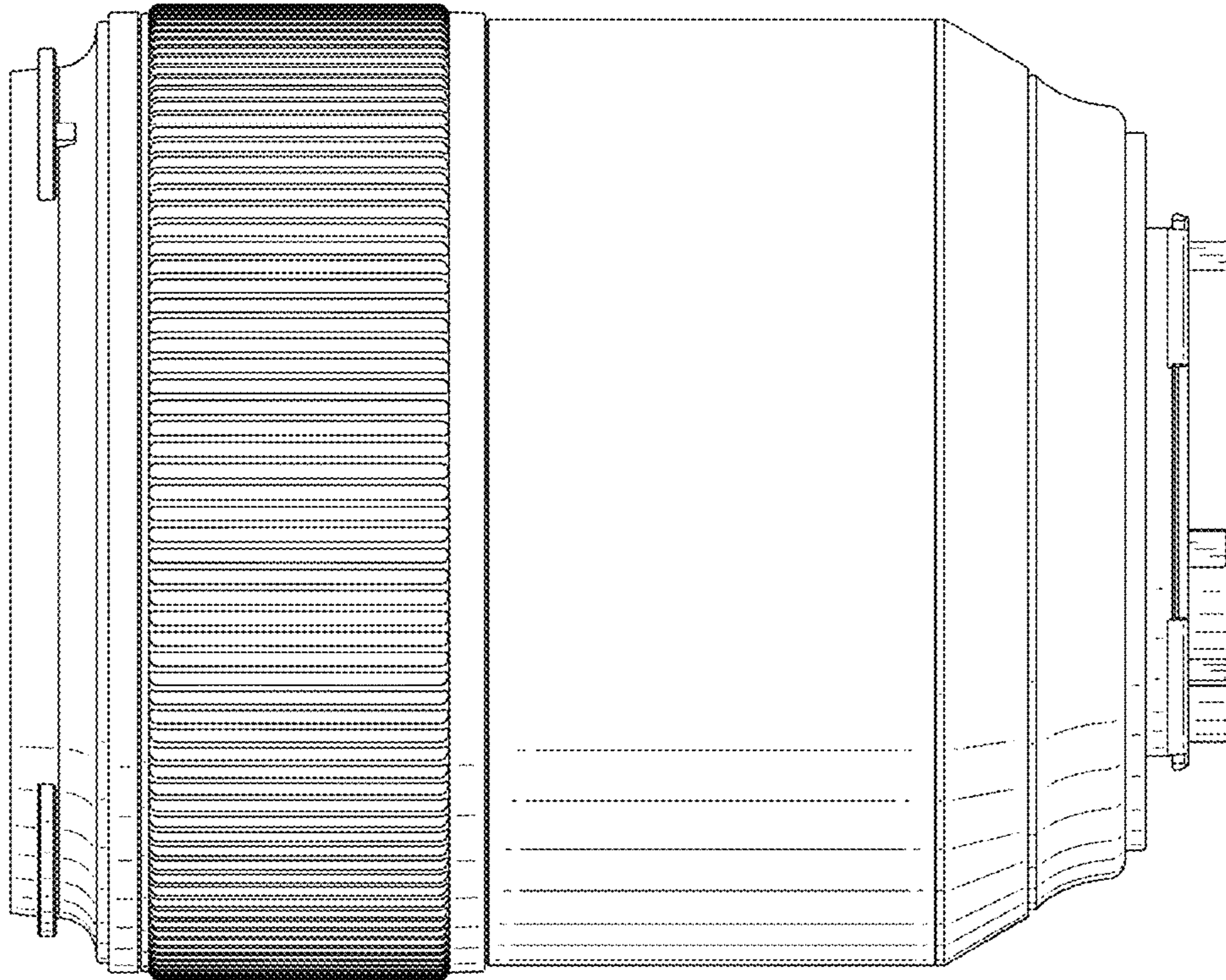


FIG.8

