



US00D783699S

(12) **United States Design Patent**  
**Apothéloz**

(10) **Patent No.:** **US D783,699 S**  
(45) **Date of Patent:** **\*\* Apr. 11, 2017**

(54) **MICROSCOPE PIVOT UNIT**  
(71) Applicant: **Leica Microsystems (Schweiz) AG,**  
Heerbrugg (CH)  
(72) Inventor: **Christophe Apothéloz,** Zurich (CH)  
(73) Assignee: **Leica Microsystems (Schweiz) AG,**  
Heerbrugg (CH)

5,402,582 A \* 4/1995 Raab ..... G01B 21/04  
33/1 PT  
5,492,296 A \* 2/1996 Biber ..... G02B 7/001  
248/292.13  
D457,901 S \* 5/2002 Lo ..... D16/131  
D498,247 S \* 11/2004 Suzuki ..... D16/131  
D592,689 S \* 5/2009 Dunn ..... D16/131  
2002/0166942 A1\* 11/2002 Metelski ..... G02B 7/001  
248/676  
2016/0100136 A1\* 4/2016 Marte ..... F16M 11/06  
348/79

(\*\*) Term: **15 Years**

\* cited by examiner

(21) Appl. No.: **29/542,681**

*Primary Examiner* — Susan Bennett Hattan

(22) Filed: **Oct. 16, 2015**

*Assistant Examiner* — Jennifer Wright

(30) **Foreign Application Priority Data**

(74) *Attorney, Agent, or Firm* — Crowell & Moring LLP

Apr. 17, 2015 (EM) ..... 002683813

(51) **LOC (10) Cl.** ..... **16-06**

(52) **U.S. Cl.**  
USPC ..... **D16/131**

(58) **Field of Classification Search**  
USPC ..... 359/375–395, 428, 424; D16/130–136;  
D22/100, 108, 109, 110, 199; 33/297,  
33/298, 227, 299; 42/111, 112, 113, 122,  
42/130, 134–145, 124; 225/414; 356/29,  
356/139, 2, 250, 251, 252, 138; 89/41,  
89/19, 161, 200–204; 350/550;  
250/467.1

CPC ..... F41G 3/08  
See application file for complete search history.

(56) **References Cited**

**U.S. PATENT DOCUMENTS**

D182,097 S \* 2/1958 Armbruster ..... D16/131  
4,597,643 A \* 7/1986 Podvin ..... G02B 26/007  
16/223  
D345,748 S \* 4/1994 Holbl ..... D16/131

(57) **CLAIM**

The ornamental design for a microscope pivot unit, as shown and described.

**DESCRIPTION**

This application contains subject matter related to the following U.S. design patent applications:

Application Ser. No. 29/542,684, filed herewith and entitled “Microscope”; and

Application Ser. No. 29/542,687, filed herewith and entitled “Stand and Pivot Unit”

FIG. 1 is a rear view of a microscope pivot unit according to the design;

FIG. 2 is a right side view thereof;

FIG. 3 is a front view thereof;

FIG. 4 is a left side view thereof;

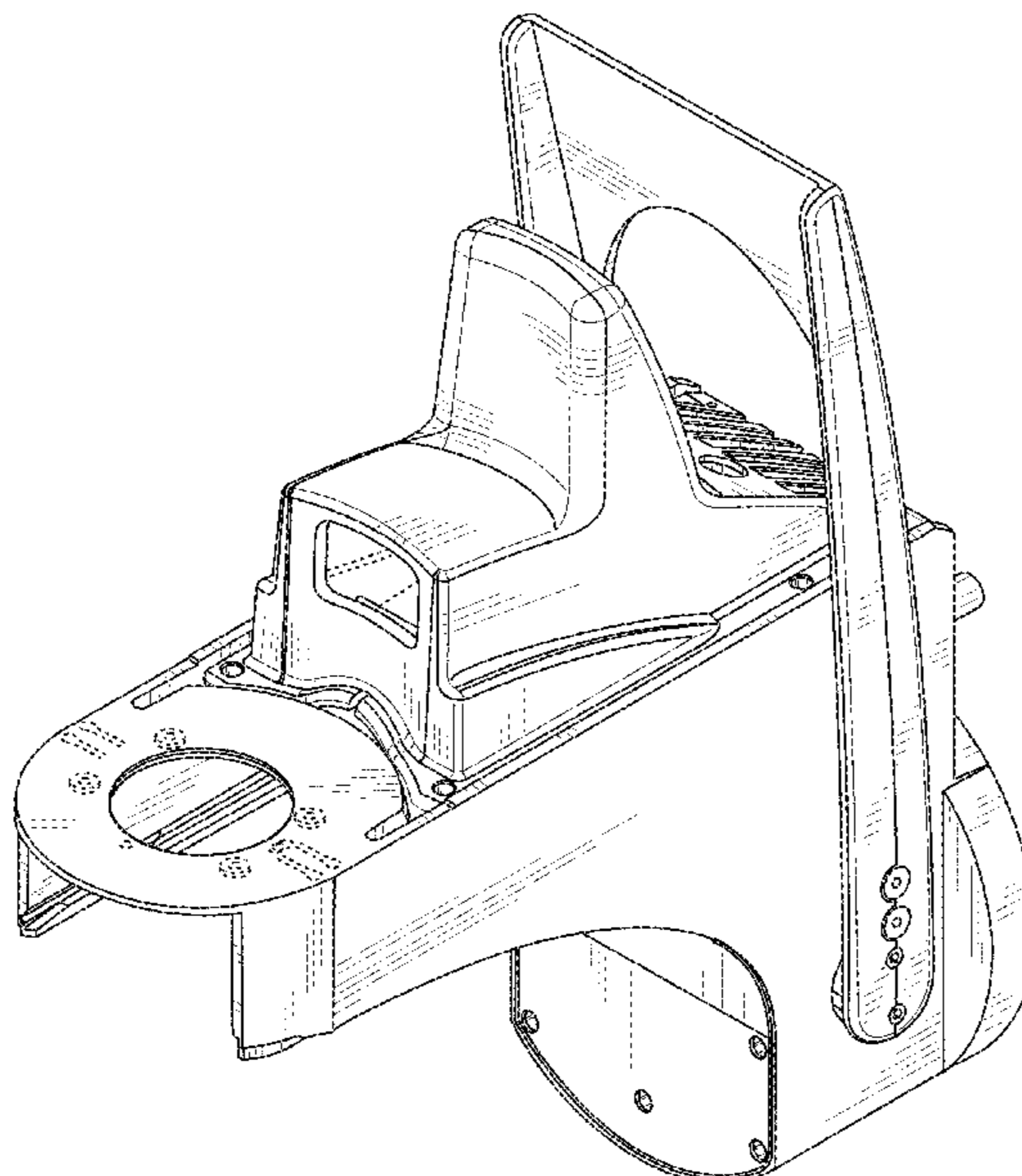
FIG. 5 is a front, right perspective view thereof;

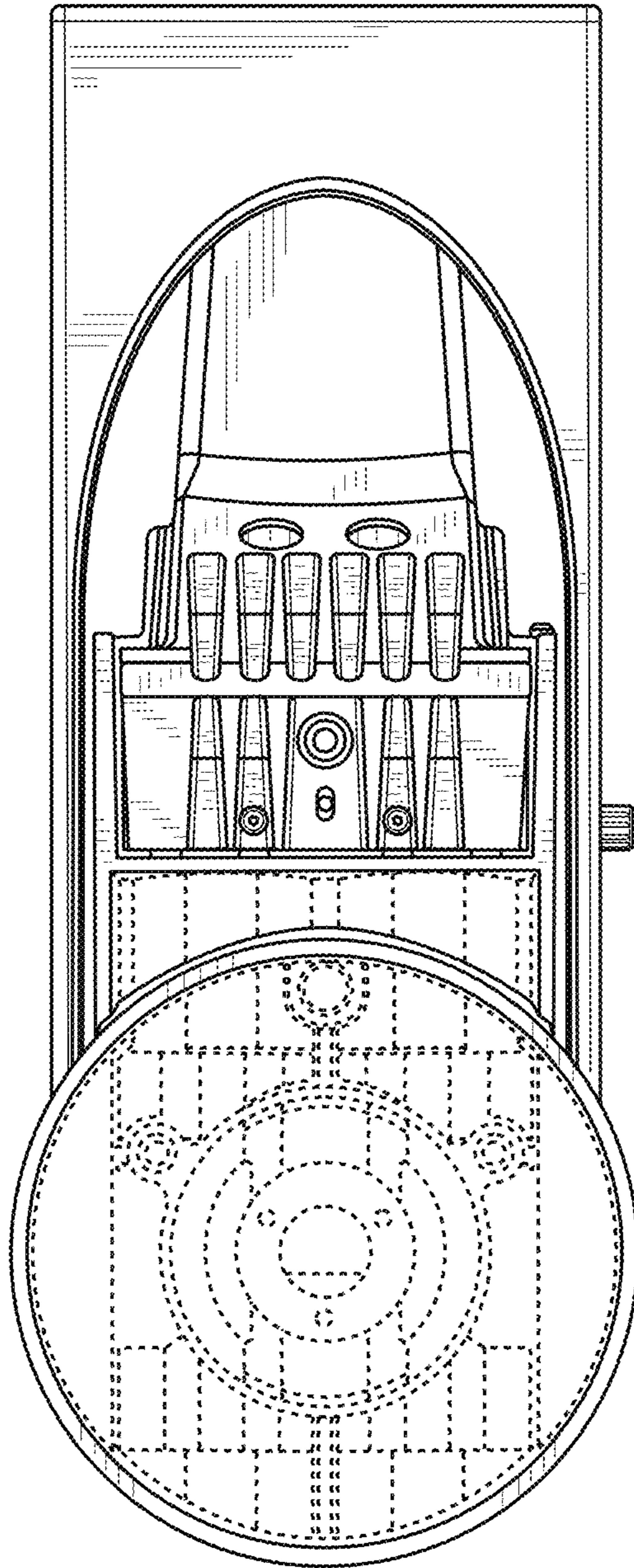
FIG. 6 is a top view thereof; and,

FIG. 7 is a bottom view thereof.

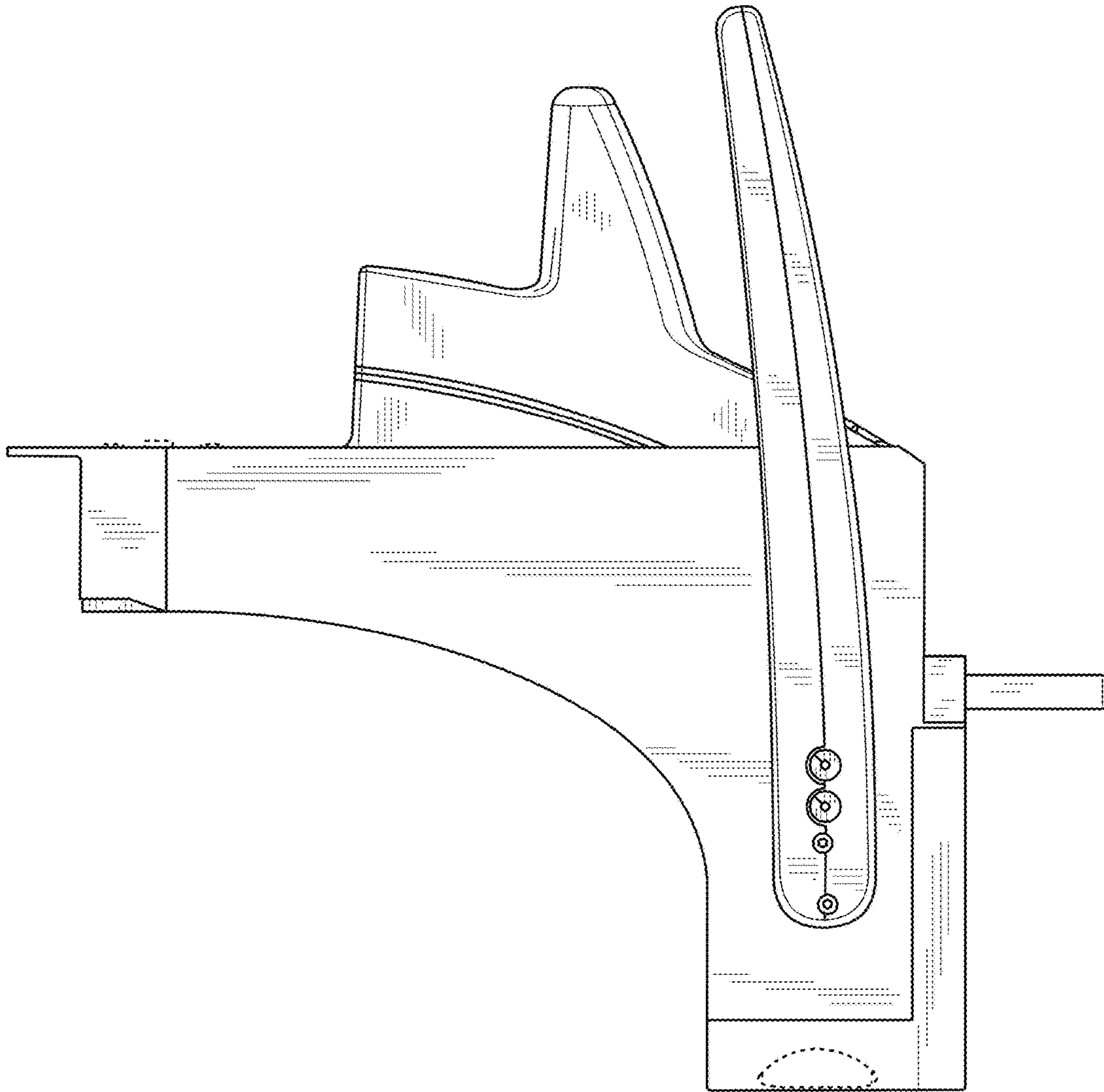
The broken lines are for illustrative purposes only and form no part of the claimed design.

**1 Claim, 7 Drawing Sheets**

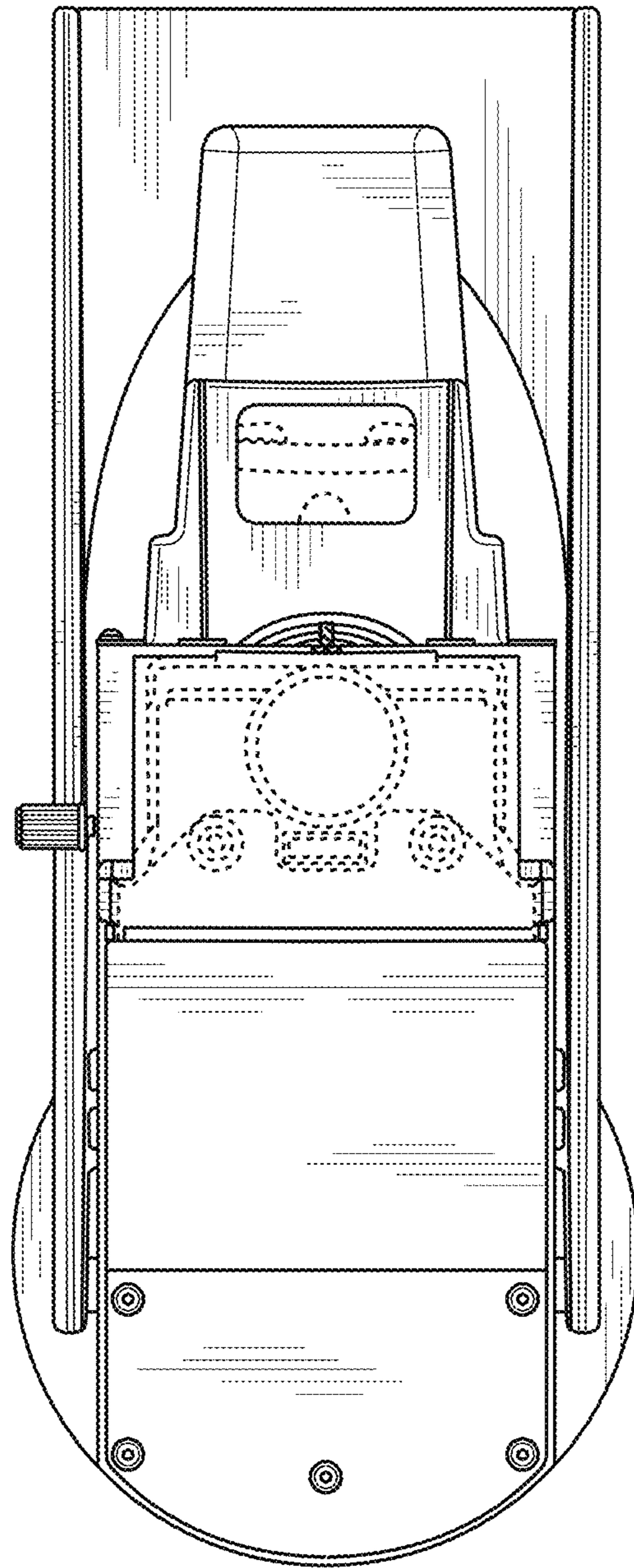




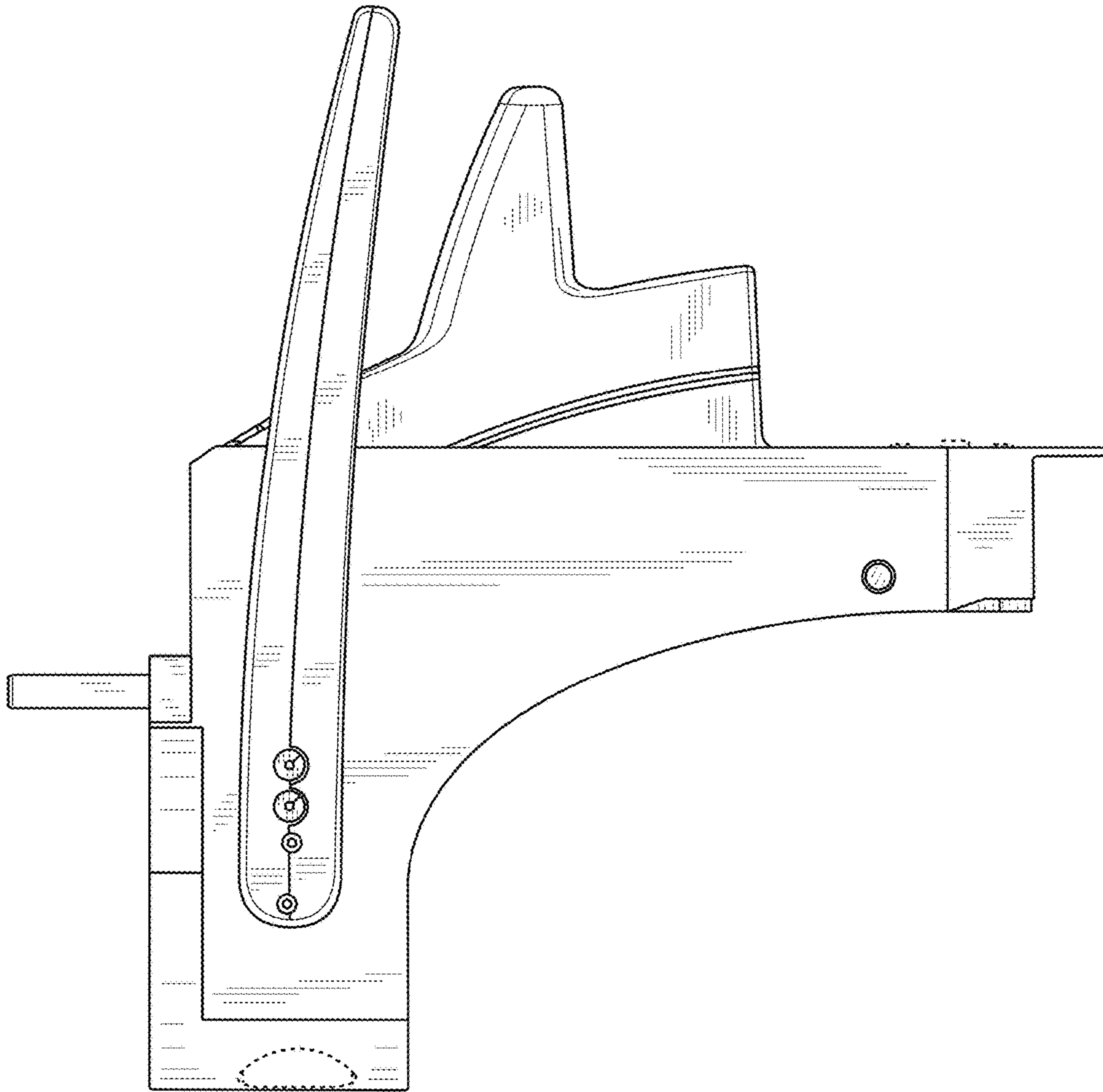
**FIG. 1**



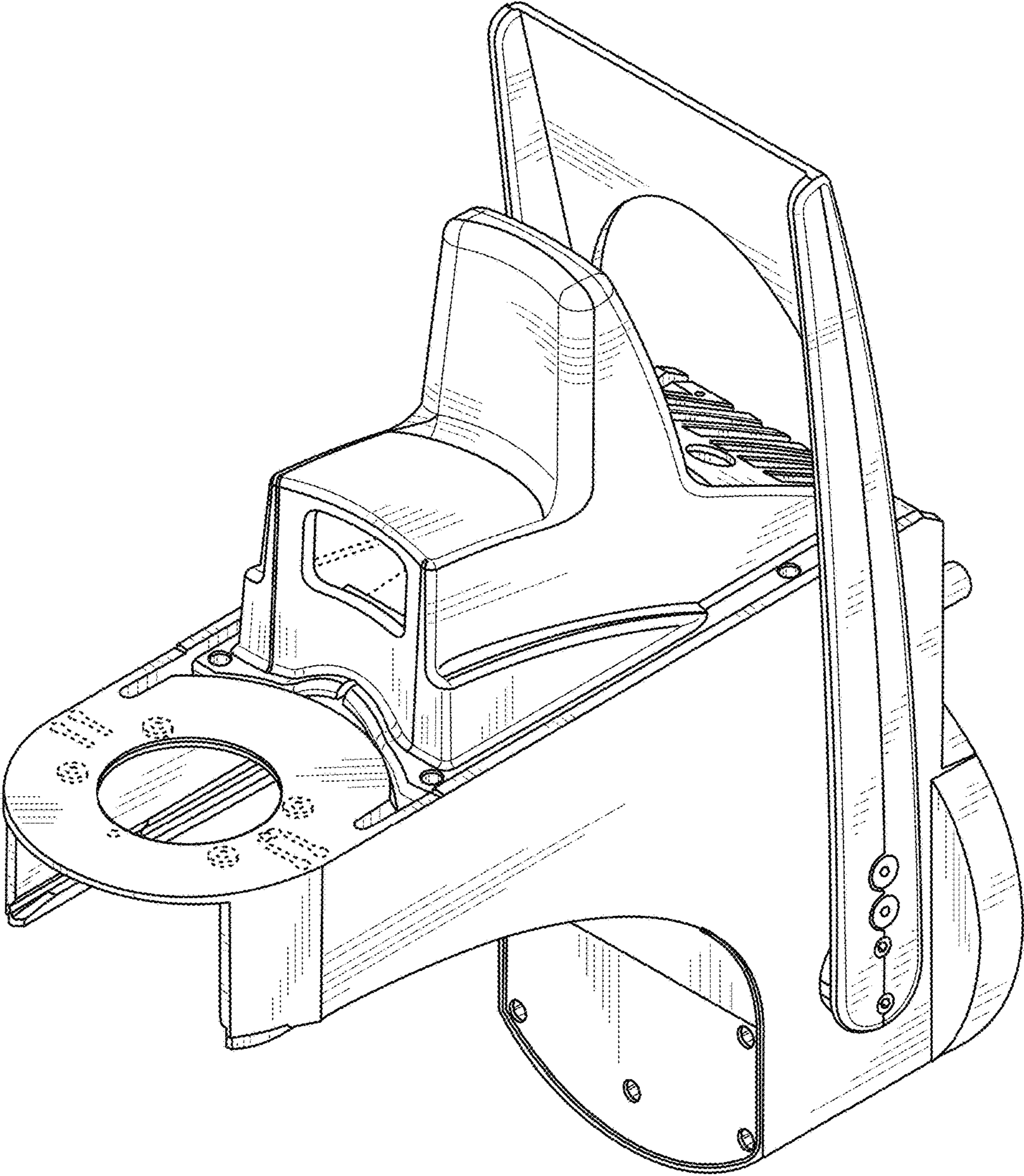
**FIG. 2**



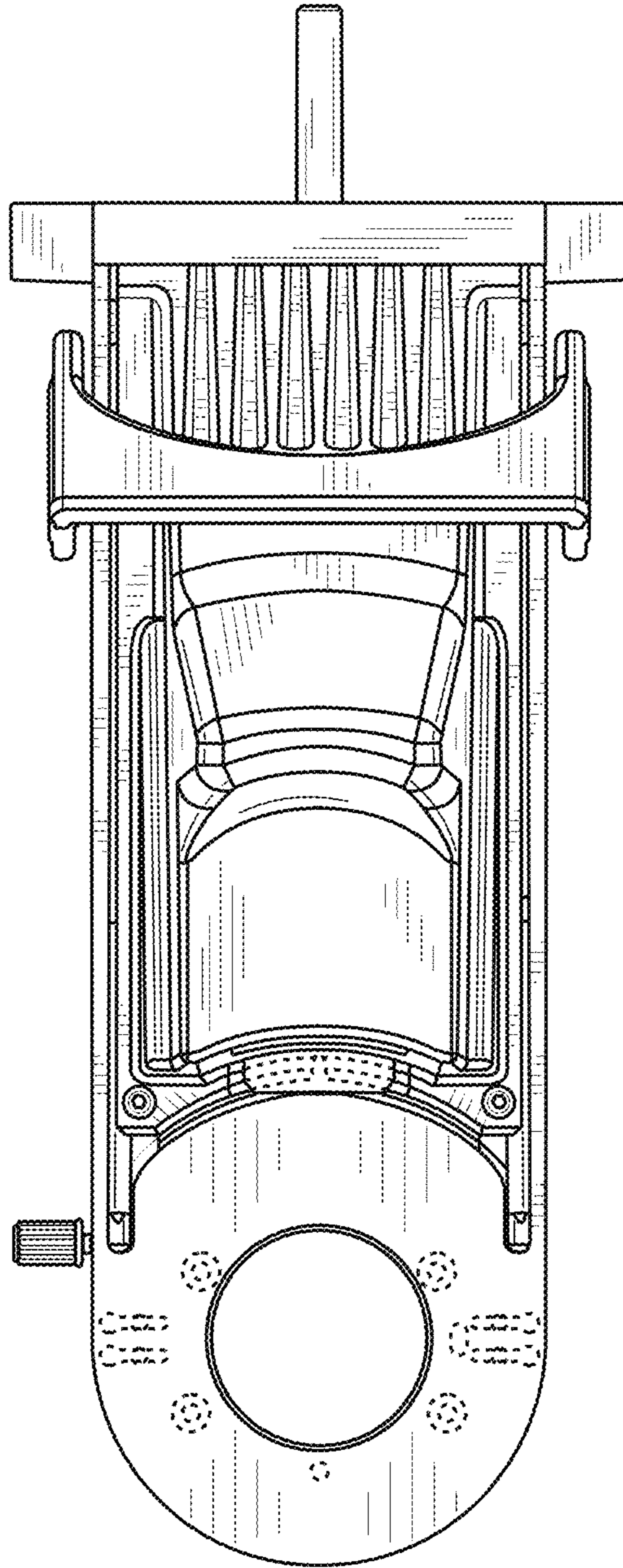
**FIG. 3**



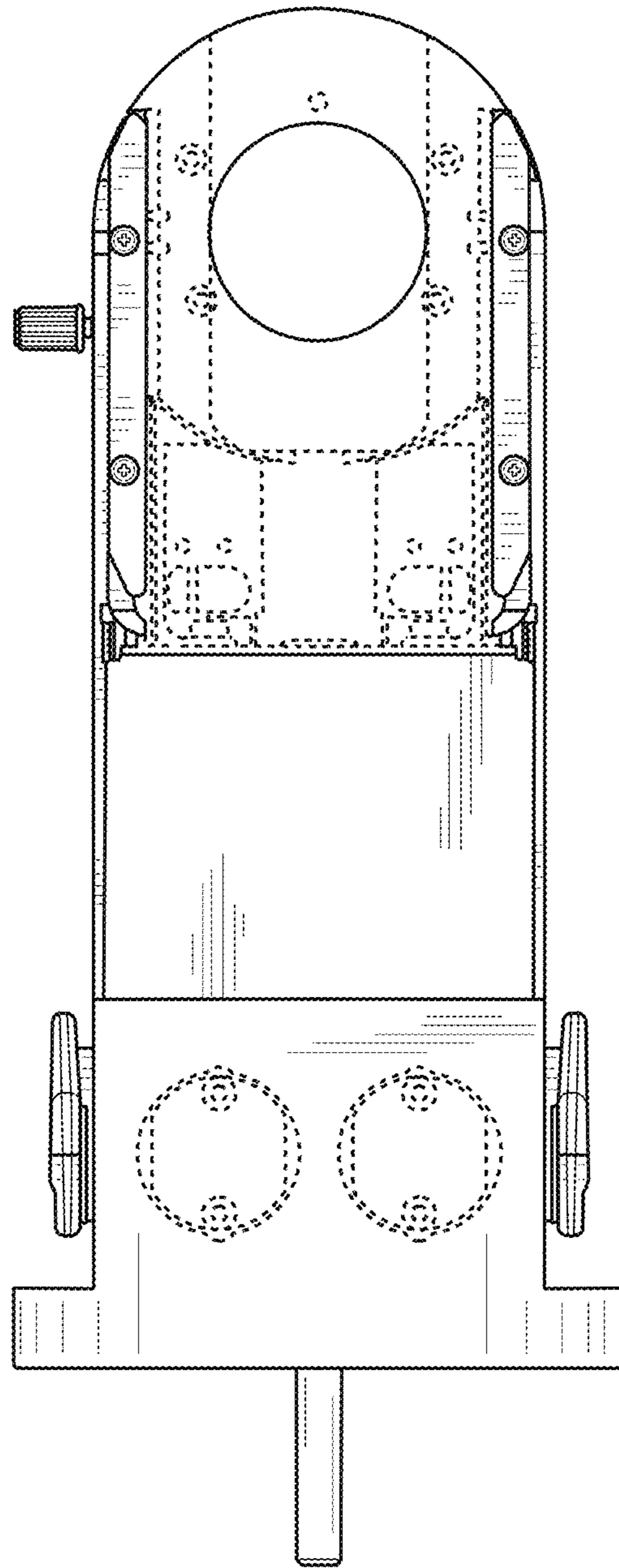
**FIG. 4**



**FIG. 5**



**FIG. 6**



**FIG. 7**