



US00D783694S

(12) **United States Design Patent**
Yauchi

(10) **Patent No.:** **US D783,694 S**

(45) **Date of Patent:** **** Apr. 11, 2017**

(54) **MEASURING INSTRUMENTS FOR
MACHINE TOOLS**

(71) Applicant: **DAISHOWA SEIKI KABUSHIKI
KAISHA**, Higashiosaka-shi, Osaka (JP)

(72) Inventor: **Masataka Yauchi**, Higashiosaka (JP)

(73) Assignee: **DAISHOWA SEIKI KABUSHIKI
KAISHA**, Higashiosaka-Shi, Osaka (JP)

(**) Term: **15 Years**

(21) Appl. No.: **29/576,126**

(22) Filed: **Aug. 31, 2016**

Related U.S. Application Data

(62) Division of application No. 35/500,122 (U.S. filing date under 35 U.S.C. 384), and having an international filing date of Jun. 26, 2015.

(30) **Foreign Application Priority Data**

Apr. 8, 2015 (JP) 2015-007979
Apr. 8, 2015 (JP) 2015-007980

(51) **LOC (10) Cl.** **15-09**

(52) **U.S. Cl.**
USPC **D15/122**

(58) **Field of Classification Search**
USPC D15/122
CPC G01B 7/12; B23Q 1/017; B23Q 39/04;
B23Q 3/15526; B23Q 1/4857; B23B
13/12; B23B 3/168; B23B 3/167; B23H
7/02

See application file for complete search history.

(56) **References Cited**

U.S. PATENT DOCUMENTS

4,208,796 A 6/1980 Michaud
D277,679 S * 2/1985 Kitamura D15/122

D302,164 S * 7/1989 Itoh D15/122
D306,865 S * 3/1990 Brown D15/122
D319,834 S * 9/1991 Rutschle D15/131
5,542,899 A * 8/1996 Yamada B23Q 3/15526
483/32
D388,103 S * 12/1997 Gotou D15/122
D420,686 S * 2/2000 Kunema D15/127
D427,614 S * 7/2000 Miyake D15/127
D445,807 S * 7/2001 Baulk D15/127

(Continued)

FOREIGN PATENT DOCUMENTS

JP 2001-328049 A 11/2001

OTHER PUBLICATIONS

Big Daishowa Seiki Co Ltd, Non-contact Tool Position Measuring Device with CCD Camera "Dyna Vision", Catalog No. 158-1, Sep. 2012 (Disclosed in the IDS for parent U.S. Appl. No. 35/500,122).

Primary Examiner — George D Kirschbaum

(74) *Attorney, Agent, or Firm* — Muncy, Geissler, Olds & Lowe, P.C.

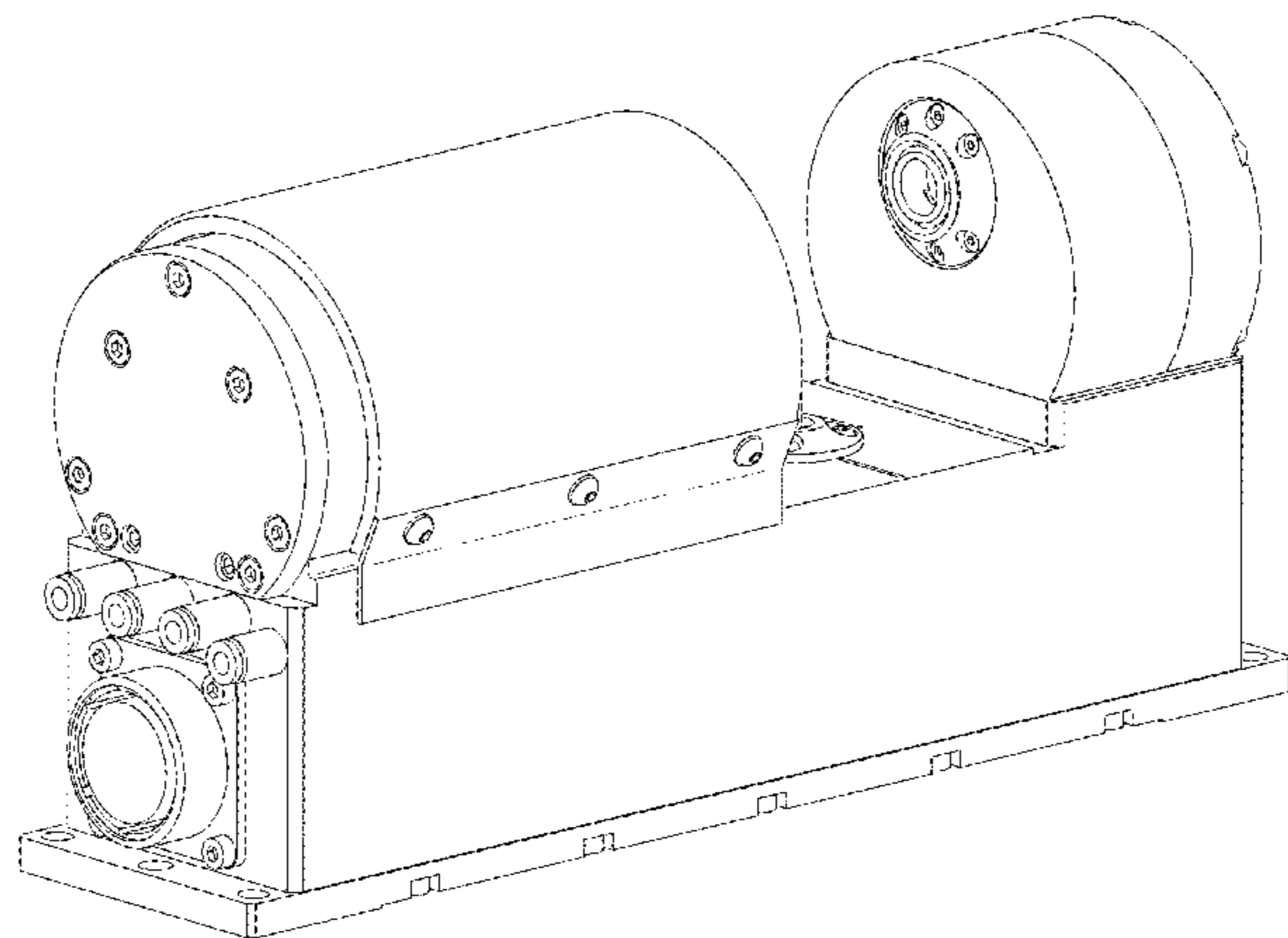
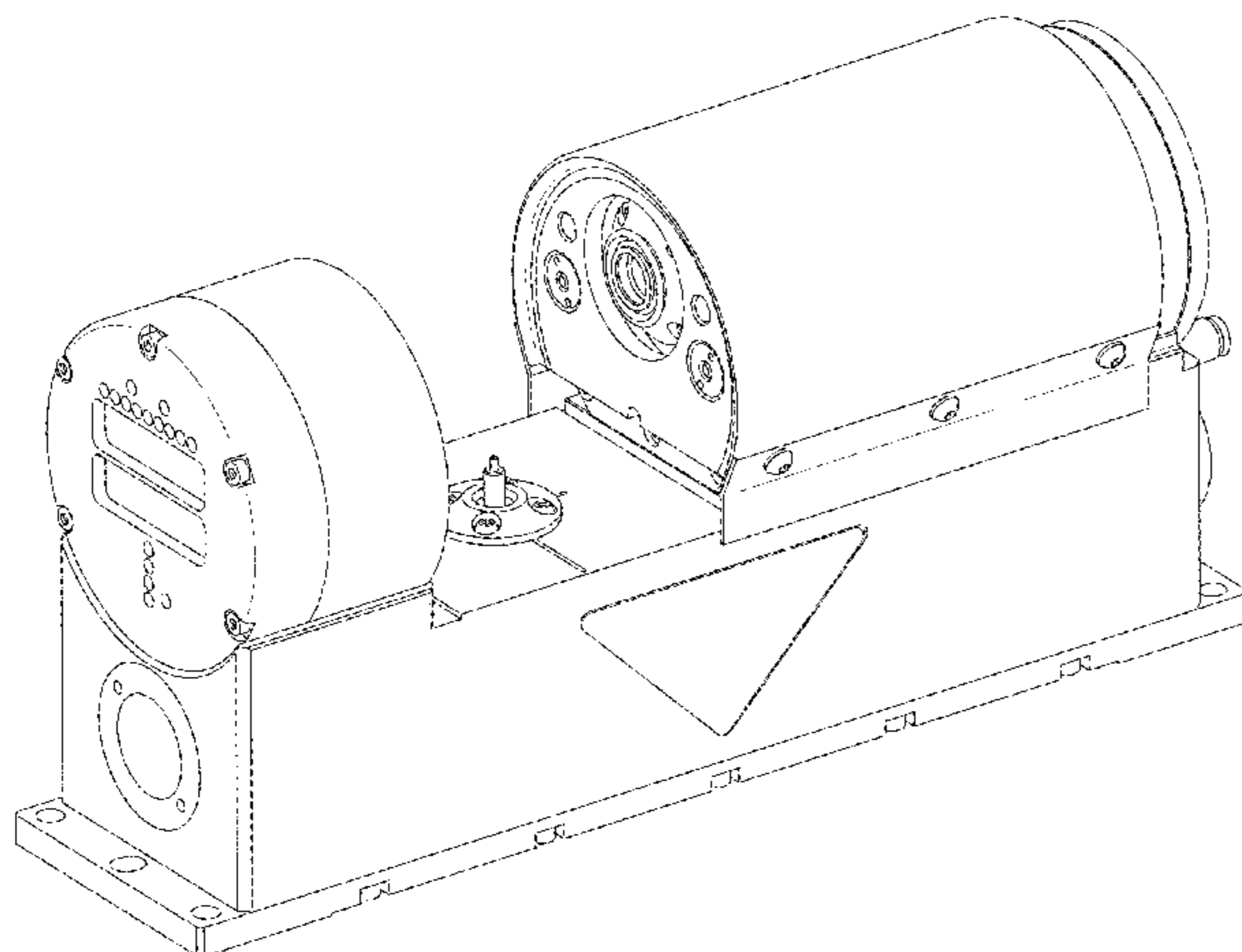
(57) **CLAIM**

The ornamental design for measuring instruments for machine tools, as shown and described.

DESCRIPTION

FIG. 1 is a front view of the measuring instruments for machine tools showing my new design
FIG. 2 is a back view thereof;
FIG. 3 is a left side view thereof;
FIG. 4 is a right side view thereof;
FIG. 5 is a top plan view thereof;
FIG. 6 is a bottom view thereof;
FIG. 7 is a perspective view thereof; and,
FIG. 8 is another perspective view thereof.

1 Claim, 8 Drawing Sheets



(56)

References Cited

U.S. PATENT DOCUMENTS

6,609,448 B2 * 8/2003 Nakaminami B23B 3/167
82/120
6,674,040 B2 * 1/2004 Wehrli B23H 7/02
204/224 M
6,892,613 B2 * 5/2005 Nakaminami B23Q 1/015
82/124
7,150,706 B2 * 12/2006 Grob B23Q 1/4857
29/33 P
D548,754 S * 8/2007 Itabashi D15/122
D548,755 S * 8/2007 Takeshima D15/122
D559,871 S * 1/2008 Kittaka D15/122
D567,263 S * 4/2008 Sugihara D15/122
D578,144 S * 10/2008 Arisue D15/122
7,628,676 B2 12/2009 Tanner
D614,210 S 4/2010 Basler
7,862,050 B2 1/2011 Koshino
D635,595 S * 4/2011 Hiroshima D15/122
D635,596 S * 4/2011 Hiroshima D15/122

D636,796 S * 4/2011 Hiroshima D15/122
D637,631 S * 5/2011 Hiroshima D15/122
D638,449 S * 5/2011 Schindler D15/122
7,954,216 B2 * 6/2011 Sturm B23B 39/16
144/35.1
D654,099 S * 2/2012 Schindler D15/122
D667,030 S * 9/2012 Hiroshima D15/122
D667,032 S * 9/2012 Egami D15/122
D680,563 S * 4/2013 Yang D15/122
D690,331 S * 9/2013 Kitamura D15/122
D690,744 S * 10/2013 Koide D15/122
D690,745 S * 10/2013 Koide D15/122
D693,859 S * 11/2013 Kitamura D15/122
D696,315 S * 12/2013 Schmid D15/122
D716,351 S * 10/2014 Kitamura D15/122
D716,857 S * 11/2014 Shimano D15/122
D736,839 S * 8/2015 Shimano D15/122
9,120,192 B2 * 9/2015 Krieg B23Q 39/024
9,126,266 B2 * 9/2015 Walz B23B 3/168
D759,736 S 6/2016 Huang
9,517,540 B1 * 12/2016 Dring G05B 19/19

* cited by examiner

Fig.1

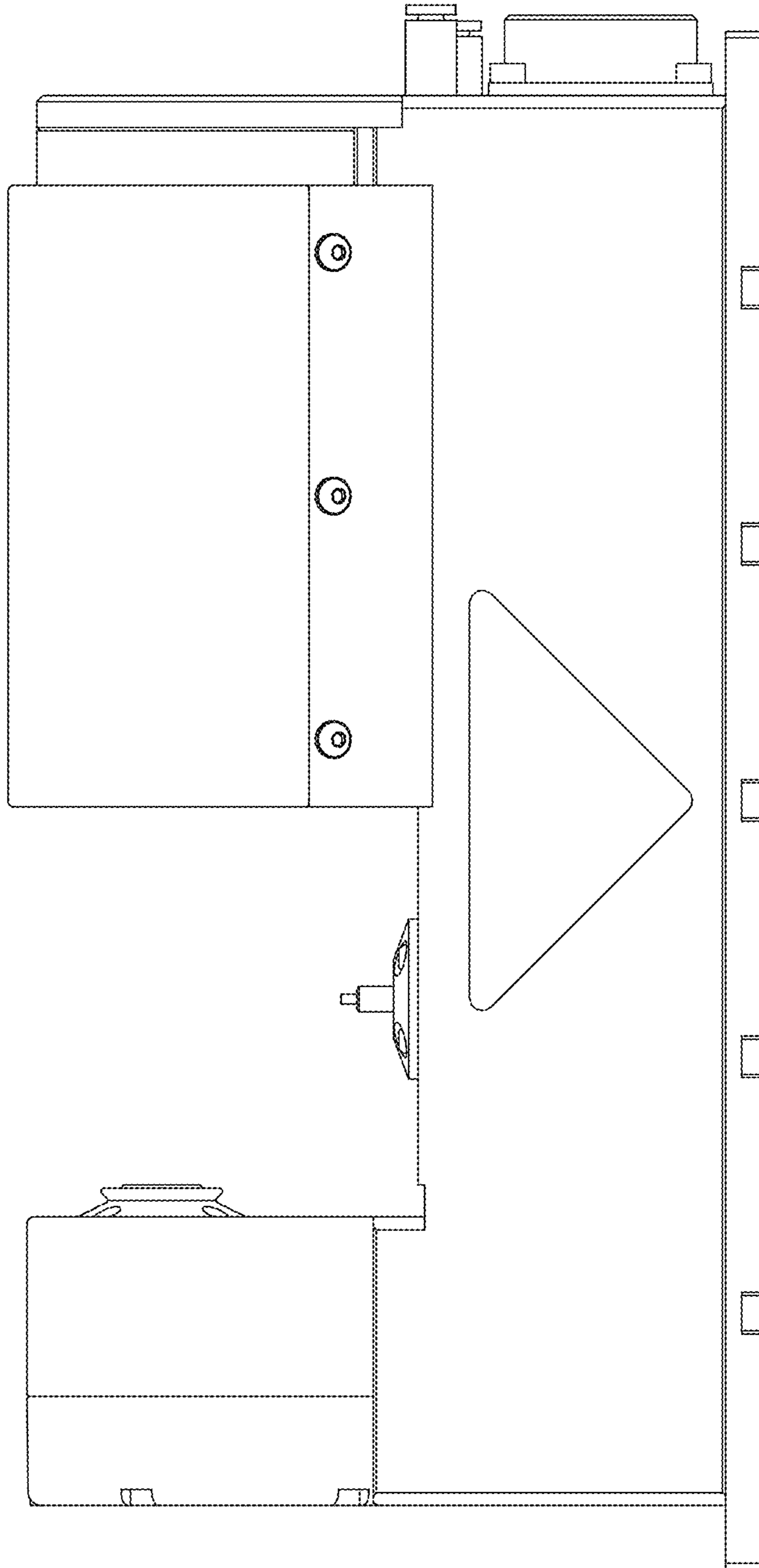


Fig.2

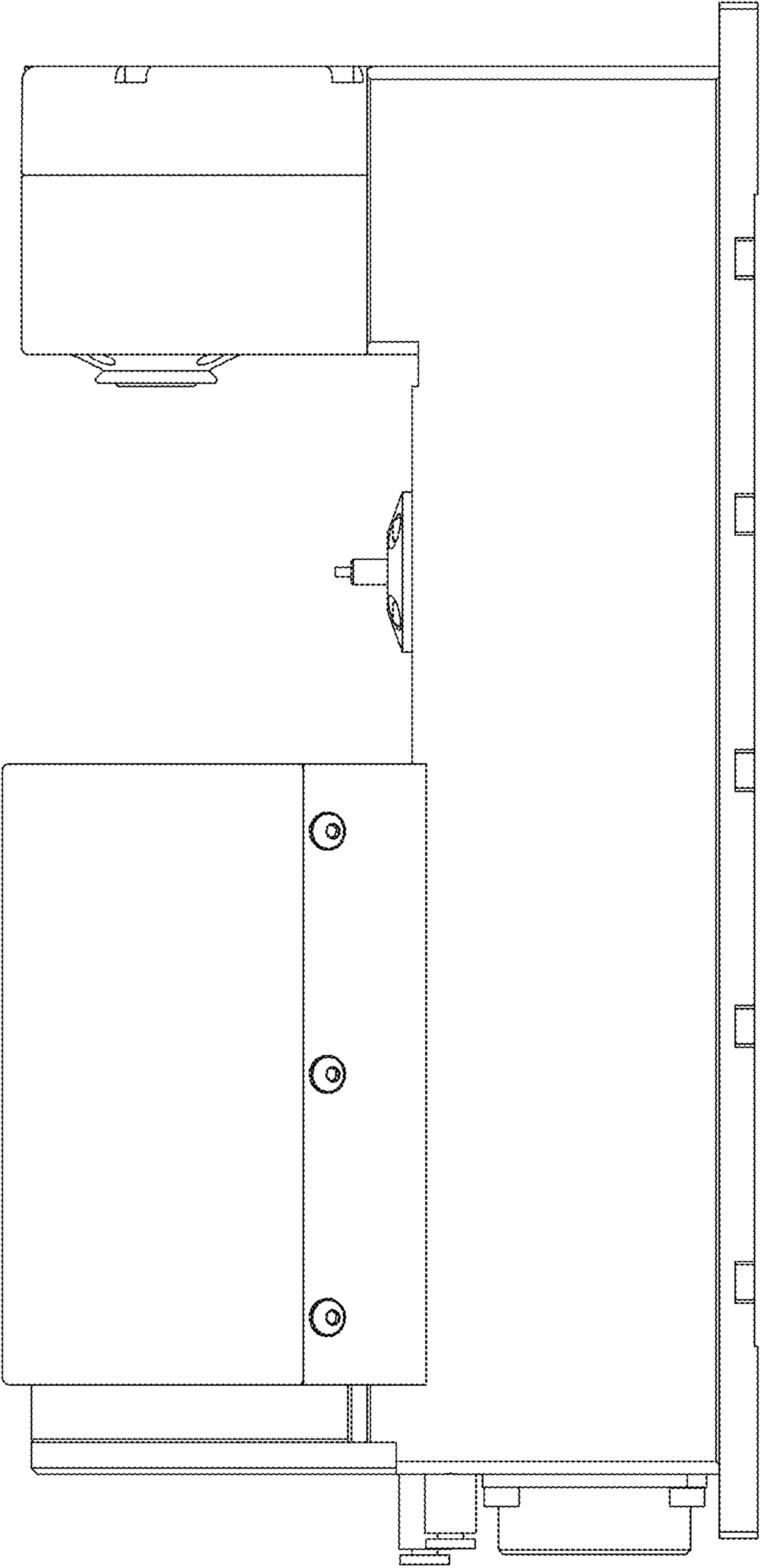


Fig.3

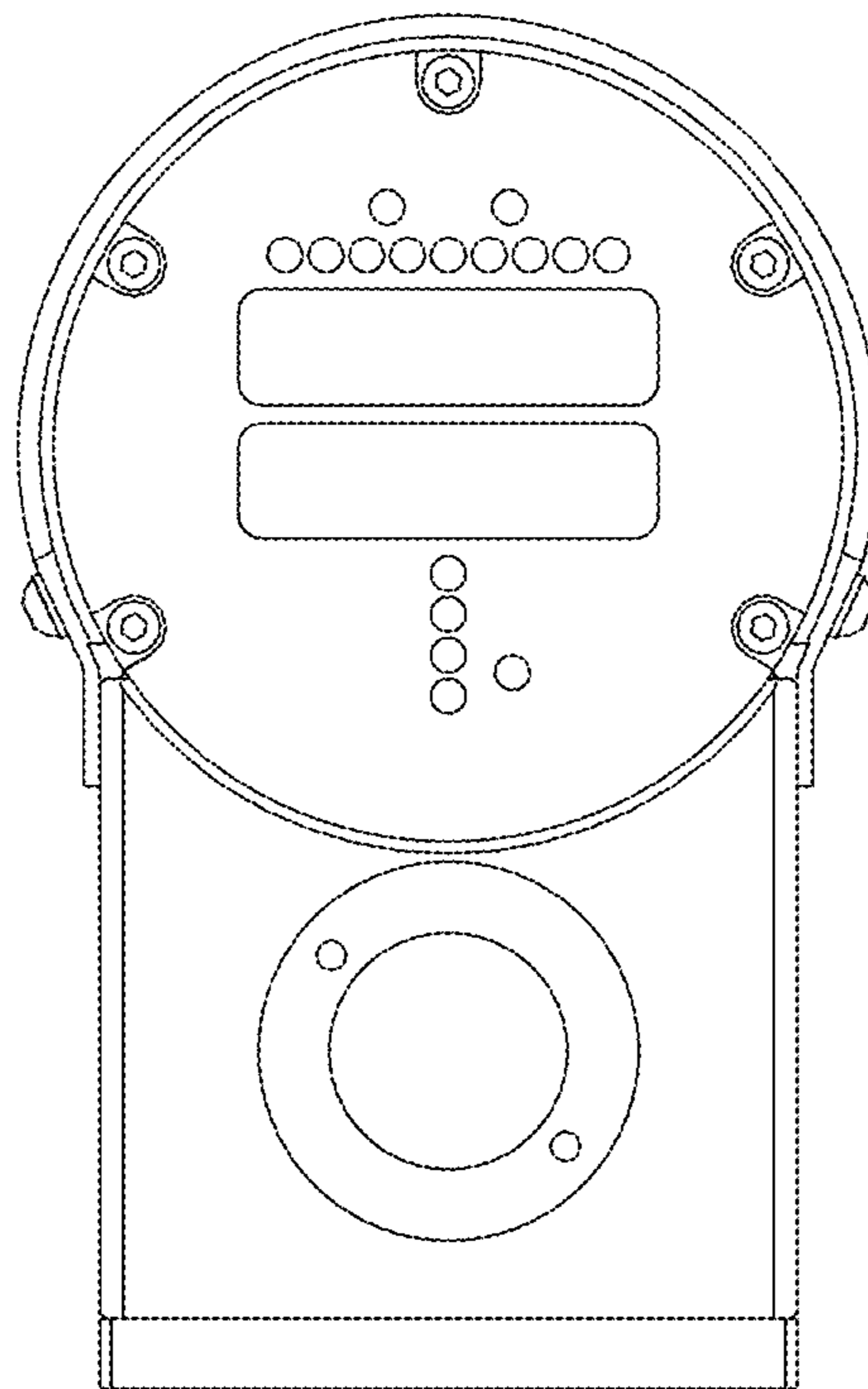


Fig.4

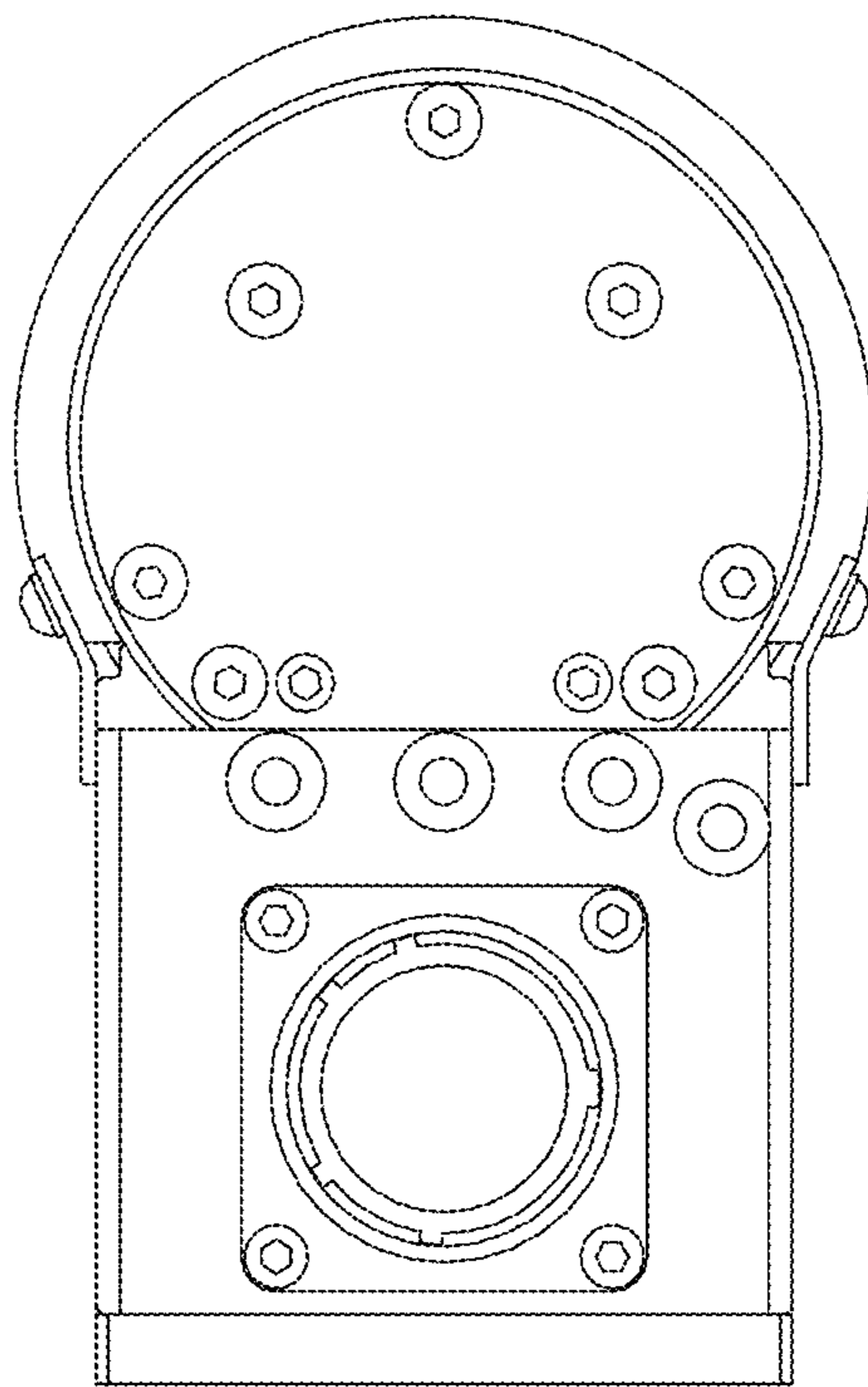


Fig.5

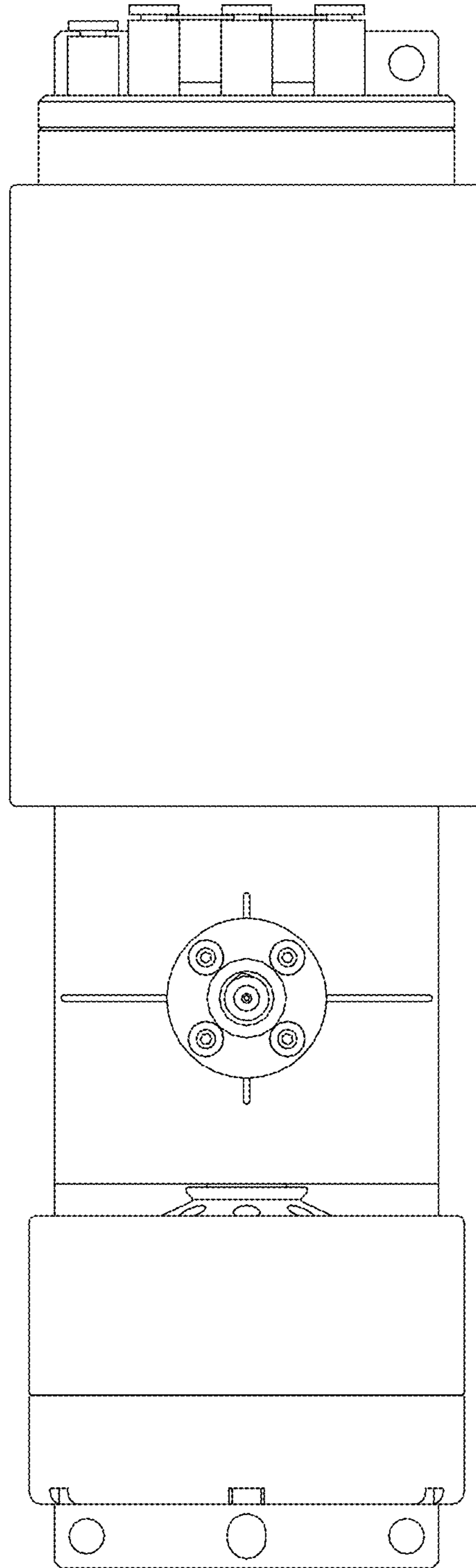


Fig.6

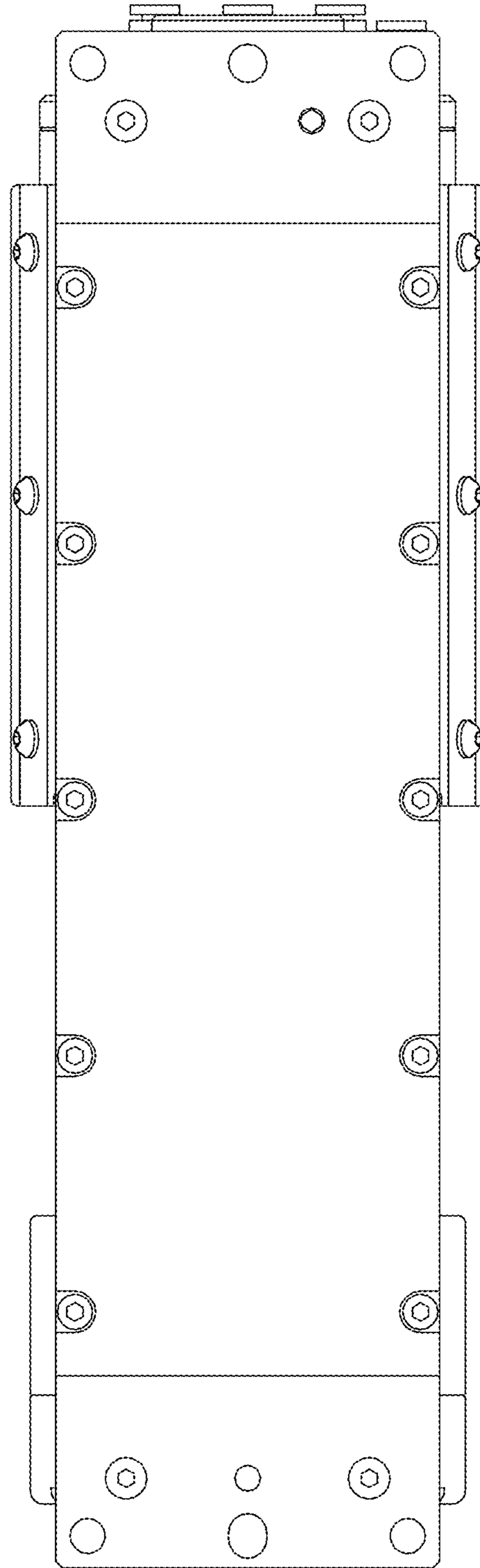


Fig.7

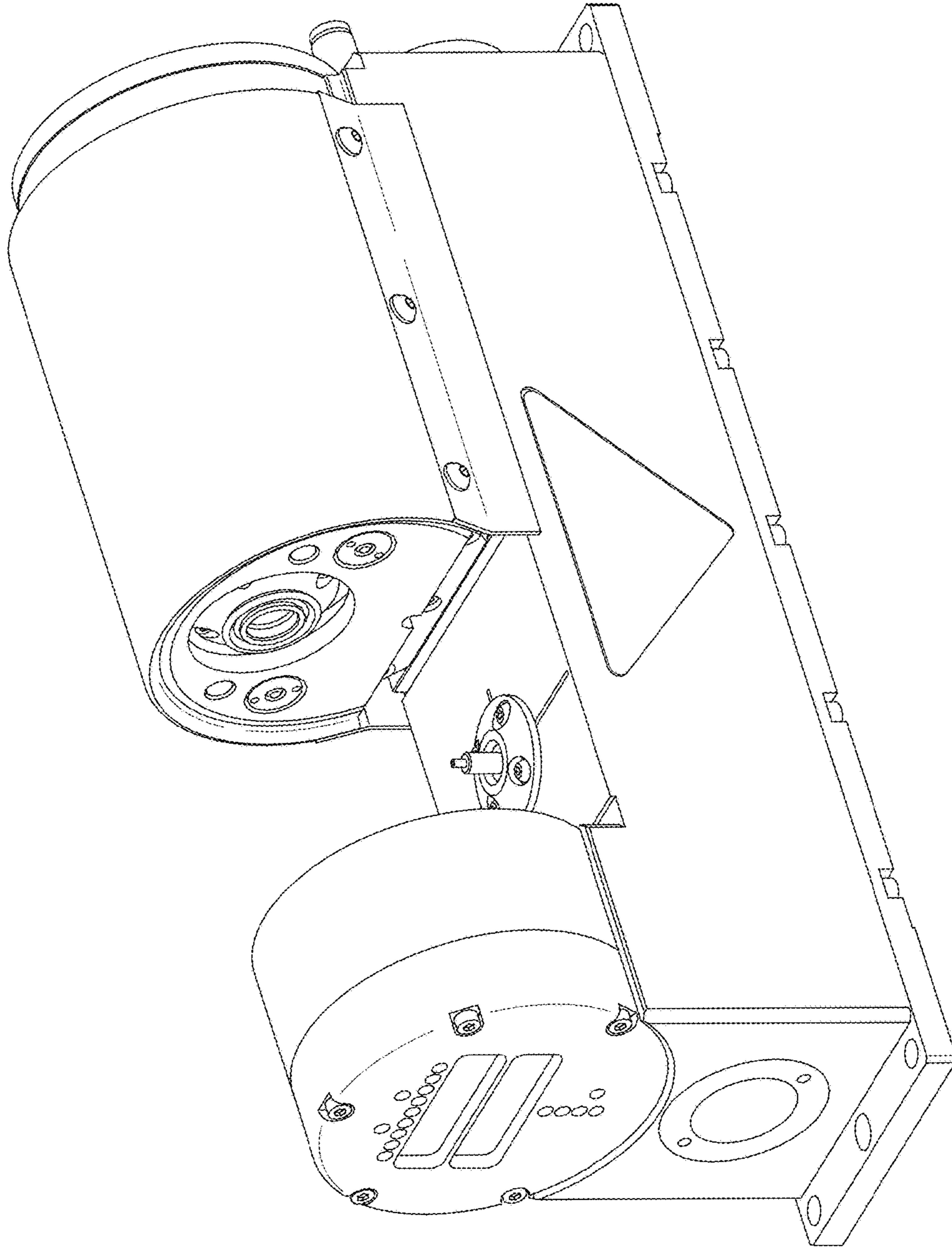


Fig.8

