



US00D783693S

(12) **United States Design Patent**  
**Reches et al.**

(10) **Patent No.:** **US D783,693 S**  
(45) **Date of Patent:** **\*\* Apr. 11, 2017**

(54) **THREE-DIMENSIONAL PRINTER**

**DESCRIPTION**

- (71) Applicant: **Formlabs, Inc.**, Somerville, MA (US)
- (72) Inventors: **Yoav Reches**, Cambridge, MA (US);  
**Jason Livingston**, Somerville, MA (US);  
**Konstantinos Oikonomopoulos**, Boston, MA (US);  
**Craig Broady**, Cambridge, MA (US);  
**Colin B. Raney**, Lexington, MA (US);  
**Jeffery Morin**, Boston, MA (US);  
**Ian Ferguson**, Cambridge, MA (US);  
**Maxim Lobovsky**, Cambridge, MA (US);  
**Natan Linder**, Cambridge, MA (US);  
**Dávid Lakatos**, Cambridge, MA (US)
- (73) Assignee: **Formlabs, Inc.**, Somerville, MA (US)
- (\*\*) Term: **15 Years**
- (21) Appl. No.: **29/535,921**
- (22) Filed: **Aug. 11, 2015**
- (51) **LOC (10) Cl.** ..... **15-09**
- (52) **U.S. Cl.**  
USPC ..... **D15/122**
- (58) **Field of Classification Search**  
USPC ..... D15/122, 135, 138, 145, 146; D18/6-7,  
D18/14, 19, 50, 54, 54.1, 55, 59  
See application file for complete search history.

(56) **References Cited**

U.S. PATENT DOCUMENTS

- D474,805 S \* 5/2003 Gotham ..... D18/50
  - D543,222 S \* 5/2007 Pester ..... D15/145
- (Continued)

*Primary Examiner* — Patricia Palasik

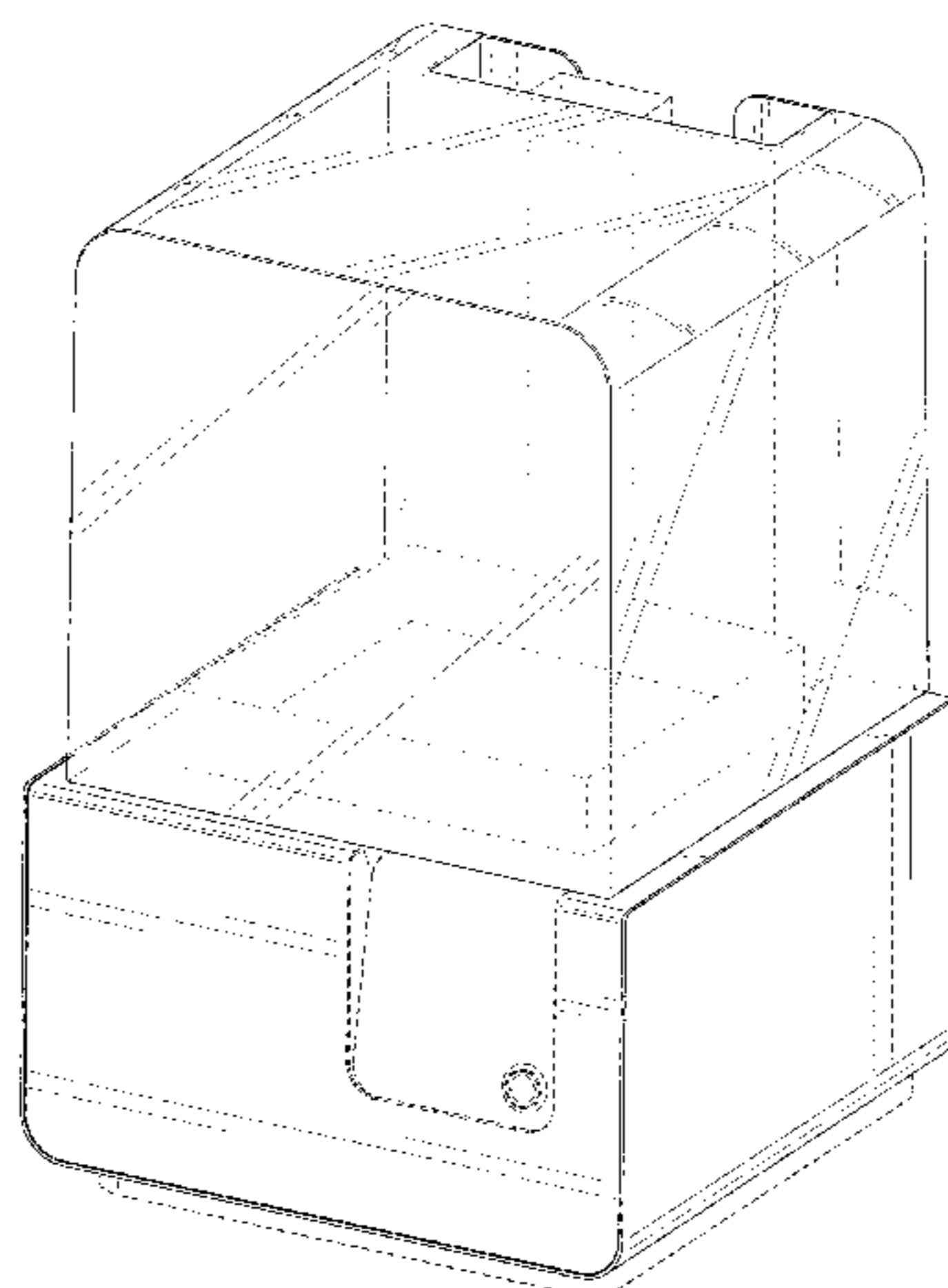
(74) *Attorney, Agent, or Firm* — Wolf, Greenfield & Sacks, P.C.

(57) **CLAIM**

The ornamental design for a three-dimensional printer, as shown and described.

FIG. 1 is a top, front, right perspective view of a three-dimensional printer showing a first embodiment of our design;  
 FIG. 2 is a front view thereof;  
 FIG. 3 is a back view thereof;  
 FIG. 4 is a left-side view thereof;  
 FIG. 5 is a right-side view thereof;  
 FIG. 6 is a top view thereof;  
 FIG. 7 is a bottom view thereof;  
 FIG. 8 is a top, front, right perspective view showing a second embodiment thereof;  
 FIG. 9 is a front view of FIG. 8;  
 FIG. 10 is a back view of FIG. 8;  
 FIG. 11 is a left-side view of FIG. 8;  
 FIG. 12 is a right-side view of FIG. 8;  
 FIG. 13 is a top view of FIG. 8;  
 FIG. 14 is a bottom view of FIG. 8;  
 FIG. 15 is a top, front, right perspective view showing a third embodiment thereof;  
 FIG. 16 is a front view of FIG. 15;  
 FIG. 17 is a back view of FIG. 15;  
 FIG. 18 is a left-side view of FIG. 15;  
 FIG. 19 is a right-side view of FIG. 15;  
 FIG. 20 is a top view of FIG. 15;  
 FIG. 21 is a bottom view of FIG. 15;  
 FIG. 22 is a top, front, right perspective view showing a fourth embodiment thereof;  
 FIG. 23 is a front view of FIG. 22;  
 FIG. 24 is a back view of FIG. 22;  
 FIG. 25 is a left-side view of FIG. 22;  
 FIG. 26 is a right-side view of FIG. 22;  
 FIG. 27 is a top view of FIG. 22;  
 FIG. 28 is a bottom view of FIG. 22;  
 FIG. 29 is a top, front, right perspective view showing a fifth embodiment thereof;  
 FIG. 30 is a front view of FIG. 29;  
 FIG. 31 is a back view of FIG. 29;  
 FIG. 32 is a left-side view of FIG. 29;  
 FIG. 33 is a right-side view of FIG. 29;  
 FIG. 34 is a top view of FIG. 29; and,  
 FIG. 35 is a bottom view of FIG. 29.

(Continued)



The broken lines of the three-dimensional printer depict unclaimed environmental subject matter.

**1 Claim, 35 Drawing Sheets**

(56)

**References Cited**

U.S. PATENT DOCUMENTS

7,297,304 B2 \* 11/2007 Swanson ..... B29C 41/36  
 264/308  
 D559,900 S \* 1/2008 Kimura ..... D18/50  
 D561,249 S \* 2/2008 Smith ..... D18/55  
 D613,319 S \* 4/2010 Okamoto ..... D15/145  
 D641,394 S \* 7/2011 Inada ..... D18/50  
 D694,317 S \* 11/2013 Nakagawa ..... D18/19  
 D694,319 S \* 11/2013 Nakagawa ..... D18/19  
 D696,315 S \* 12/2013 Schmid ..... D15/122  
 D722,108 S \* 2/2015 Reches ..... D18/50

8,945,456 B2 \* 2/2015 Zenere ..... B29C 67/0066  
 264/401  
 D732,586 S \* 6/2015 Chen ..... D15/122  
 D732,587 S \* 6/2015 Hsu ..... D15/122  
 D734,788 S \* 7/2015 Reches ..... D15/122  
 D736,838 S \* 8/2015 Costabeber ..... D15/122  
 D739,459 S \* 9/2015 Murata ..... D18/50  
 D739,885 S \* 9/2015 Lee ..... D15/122  
 D740,863 S \* 10/2015 Kemperle ..... D15/122  
 D742,439 S \* 11/2015 Kraibuhler ..... D15/122  
 D750,162 S \* 2/2016 Ozawa ..... D18/19  
 D751,612 S \* 3/2016 Kojima ..... D15/122  
 D753,741 S \* 4/2016 Lee ..... D15/145  
 D754,763 S \* 4/2016 Kraibuhler ..... D15/122  
 D755,860 S \* 5/2016 Busato ..... D15/122  
 D757,132 S \* 5/2016 Liu ..... D15/122  
 D763,330 S \* 8/2016 Olive ..... D15/122  
 D766,998 S \* 9/2016 Kao ..... D15/122  
 D770,545 S \* 11/2016 Olive ..... D15/122  
 D771,164 S \* 11/2016 Noorazar ..... D15/122  
 2015/0352788 A1 \* 12/2015 Livingston ..... B65D 11/20  
 264/401

\* cited by examiner

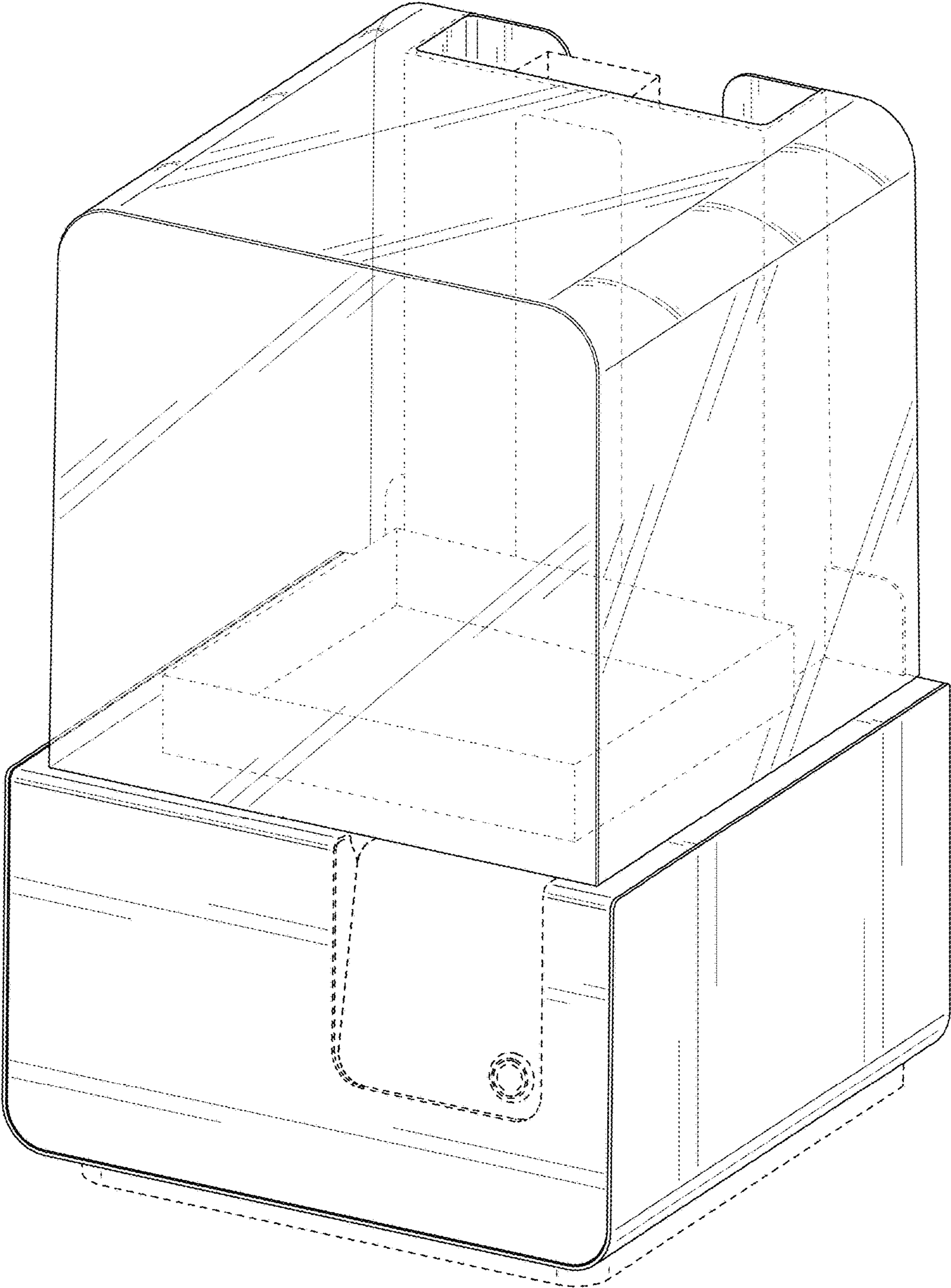


FIG. 1

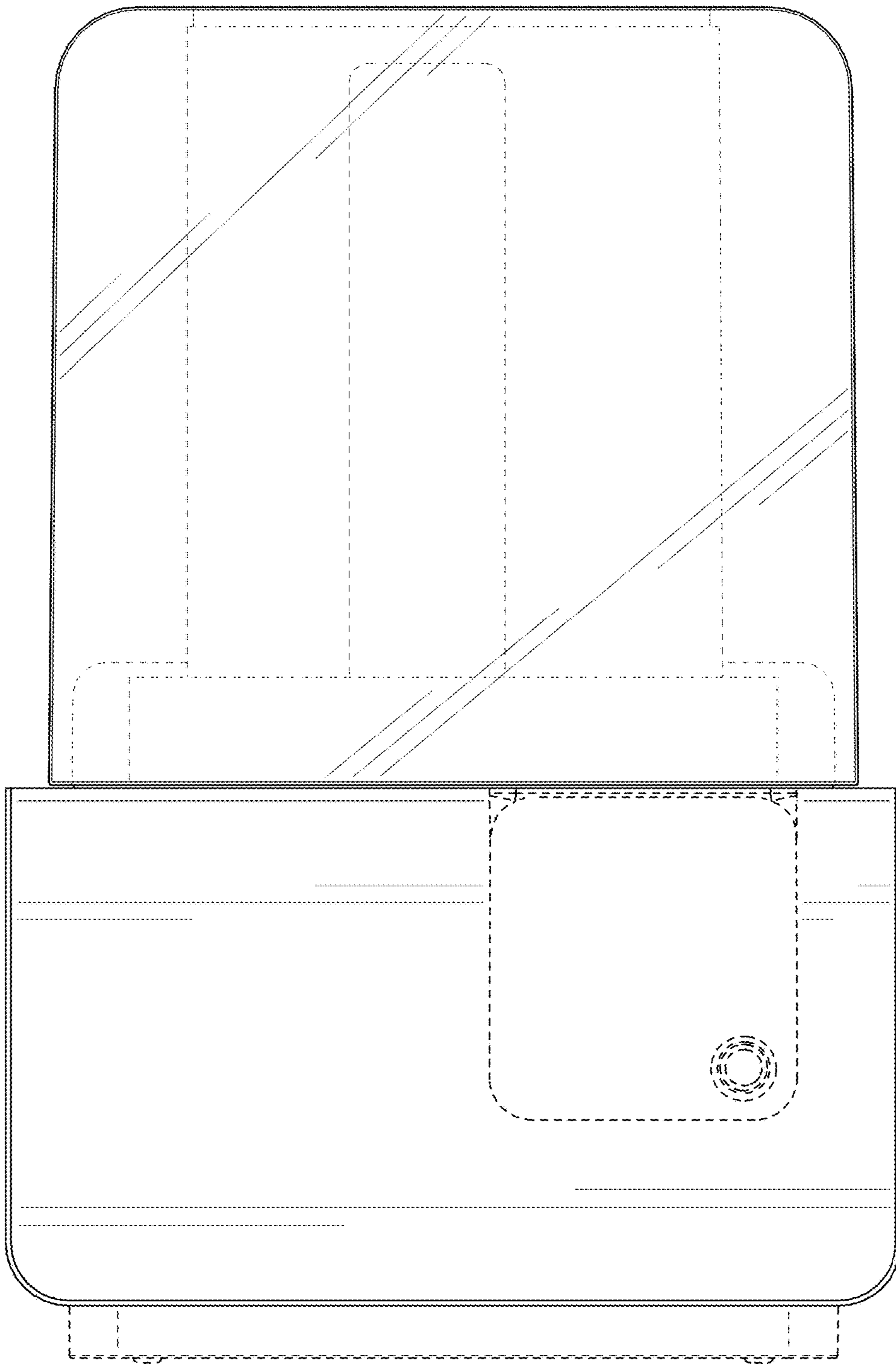


FIG. 2



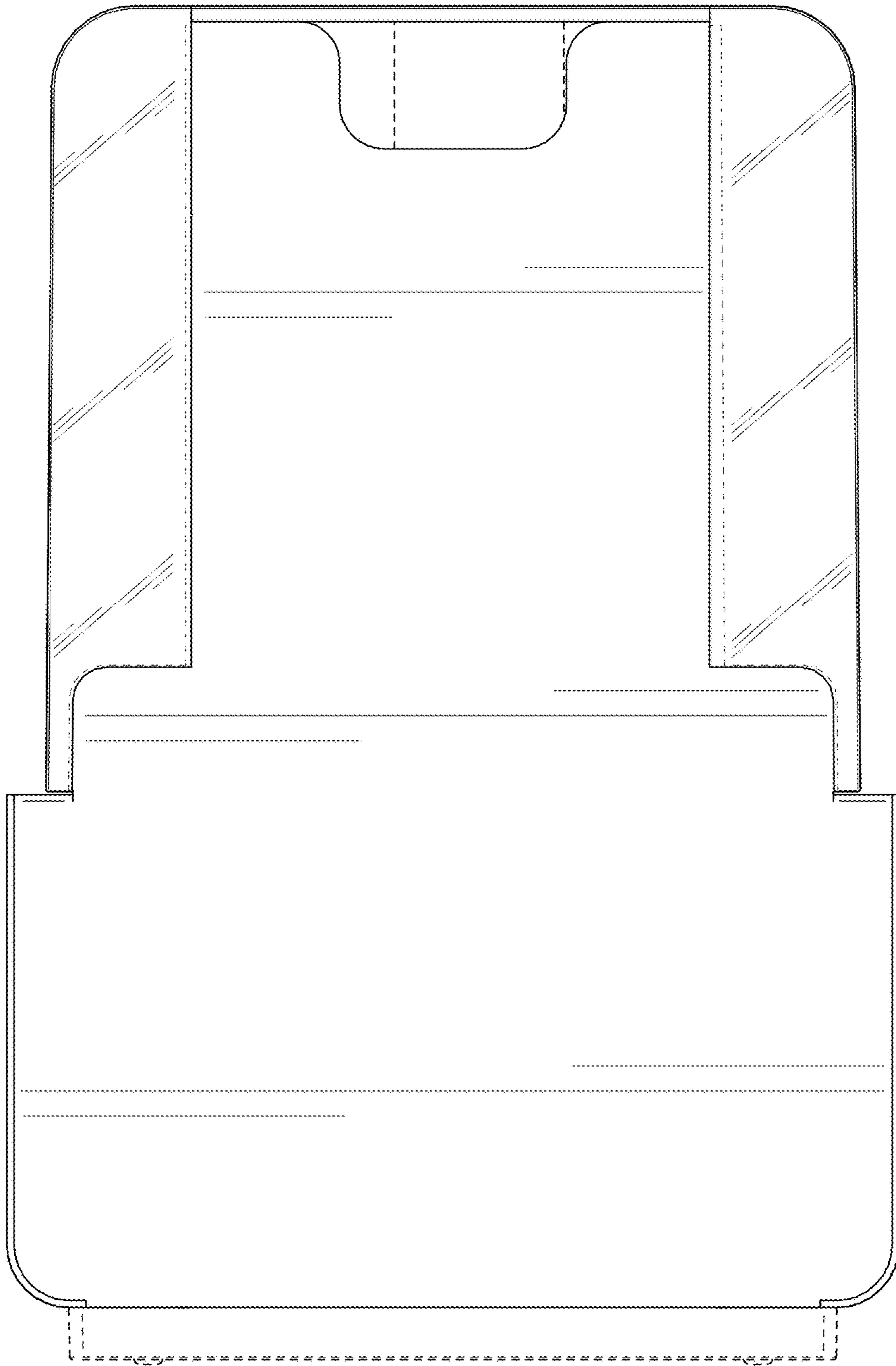


FIG. 3

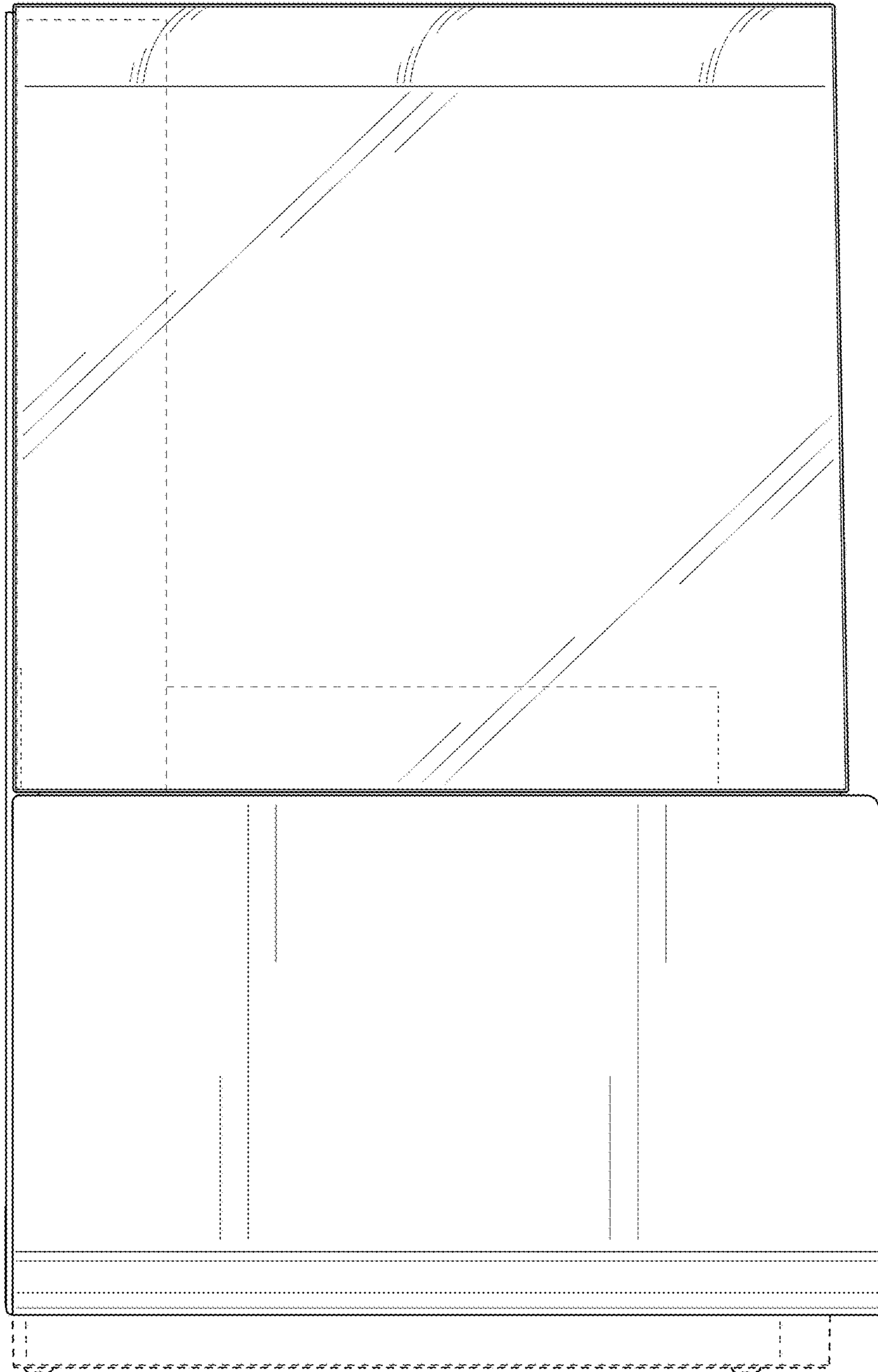


FIG. 4

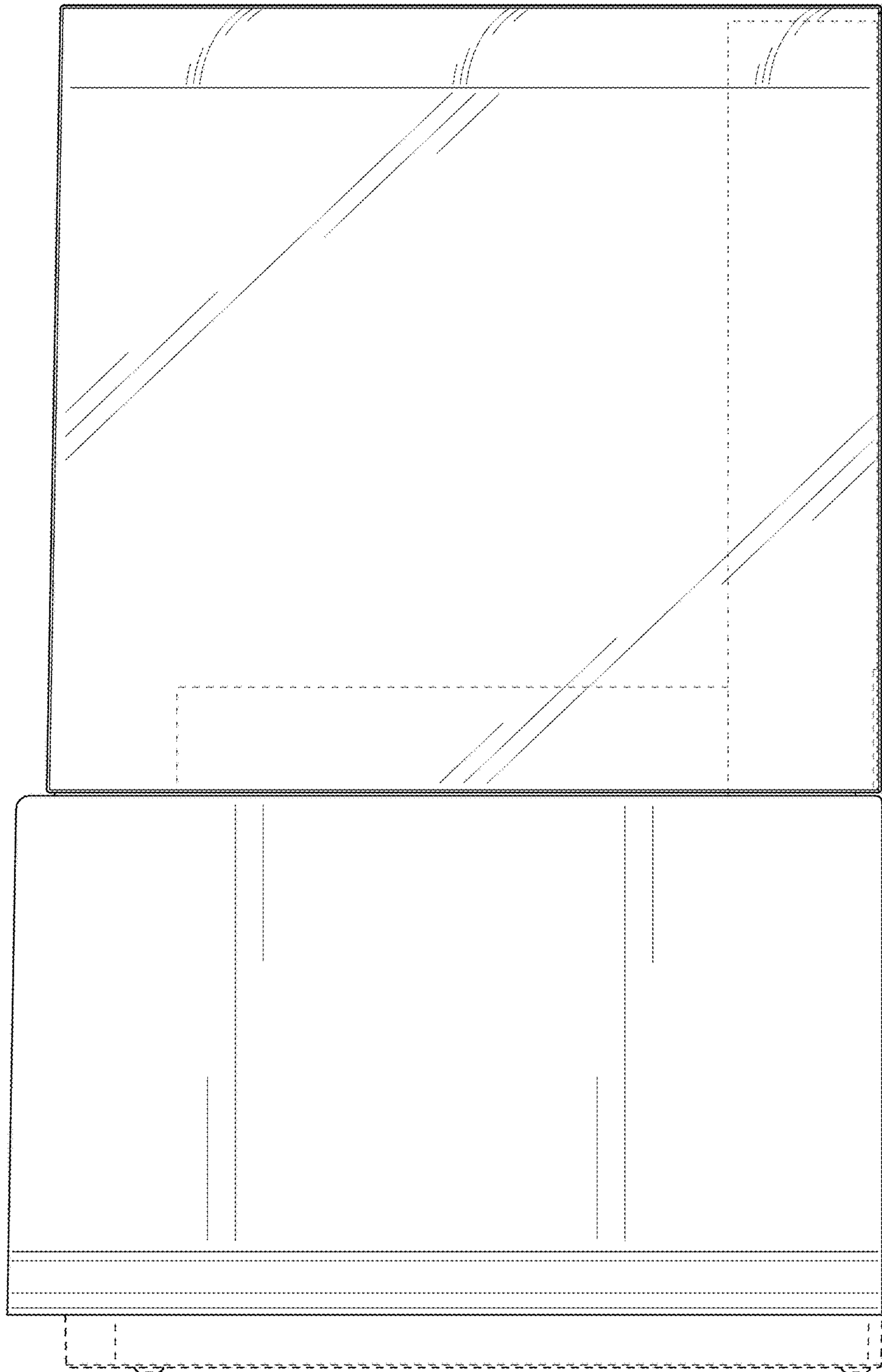


FIG. 5

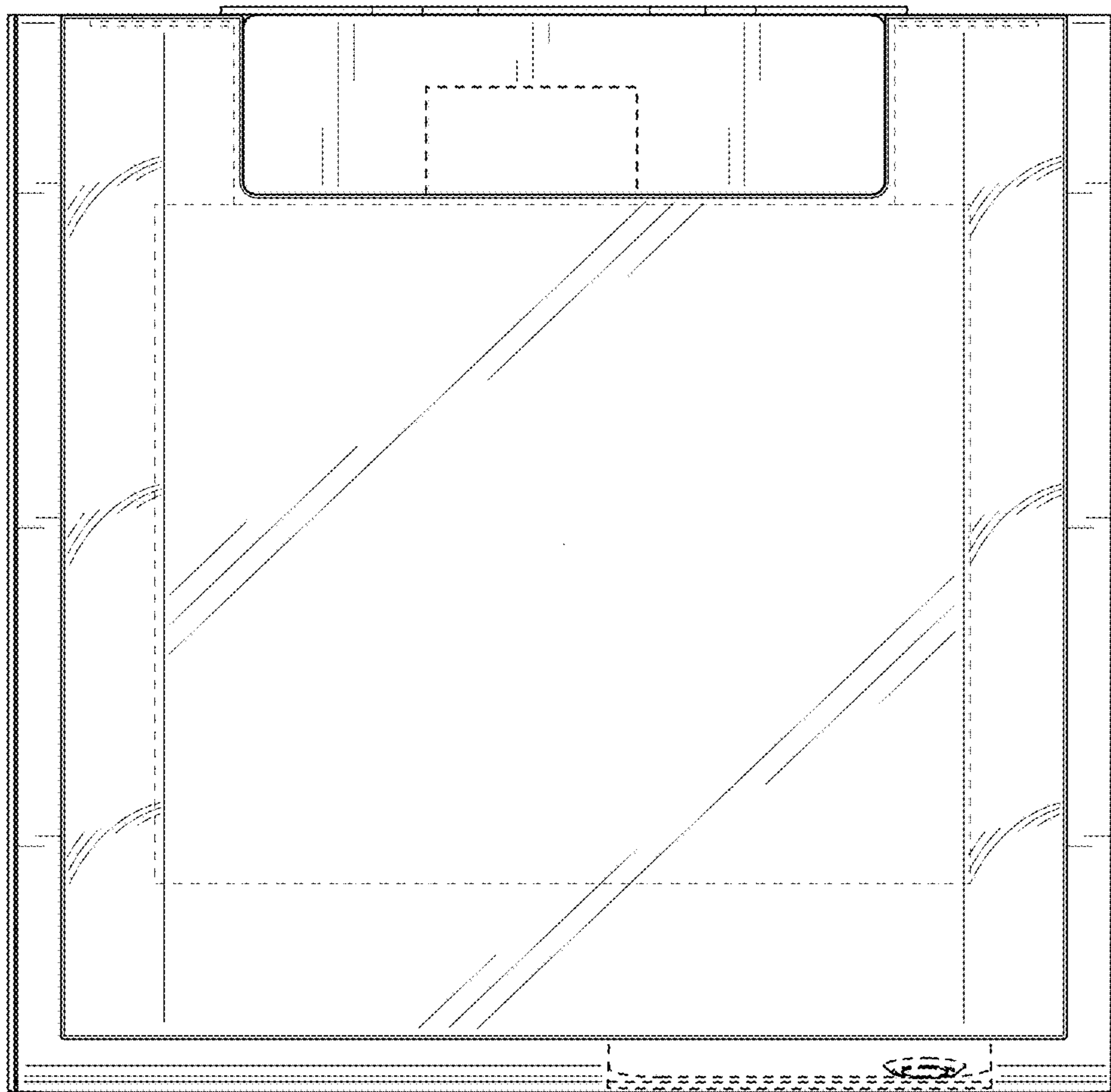


FIG. 6



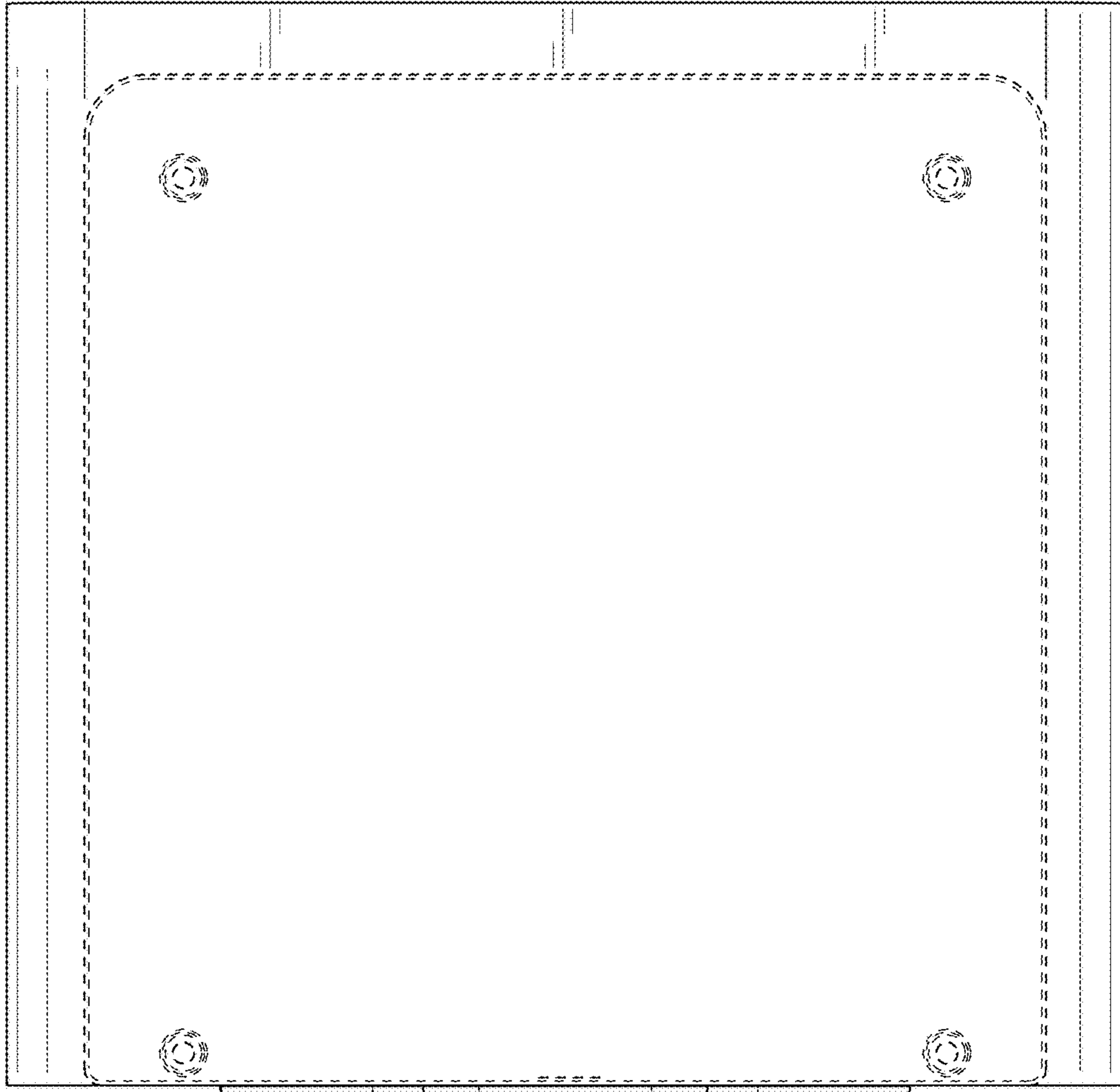


FIG. 7

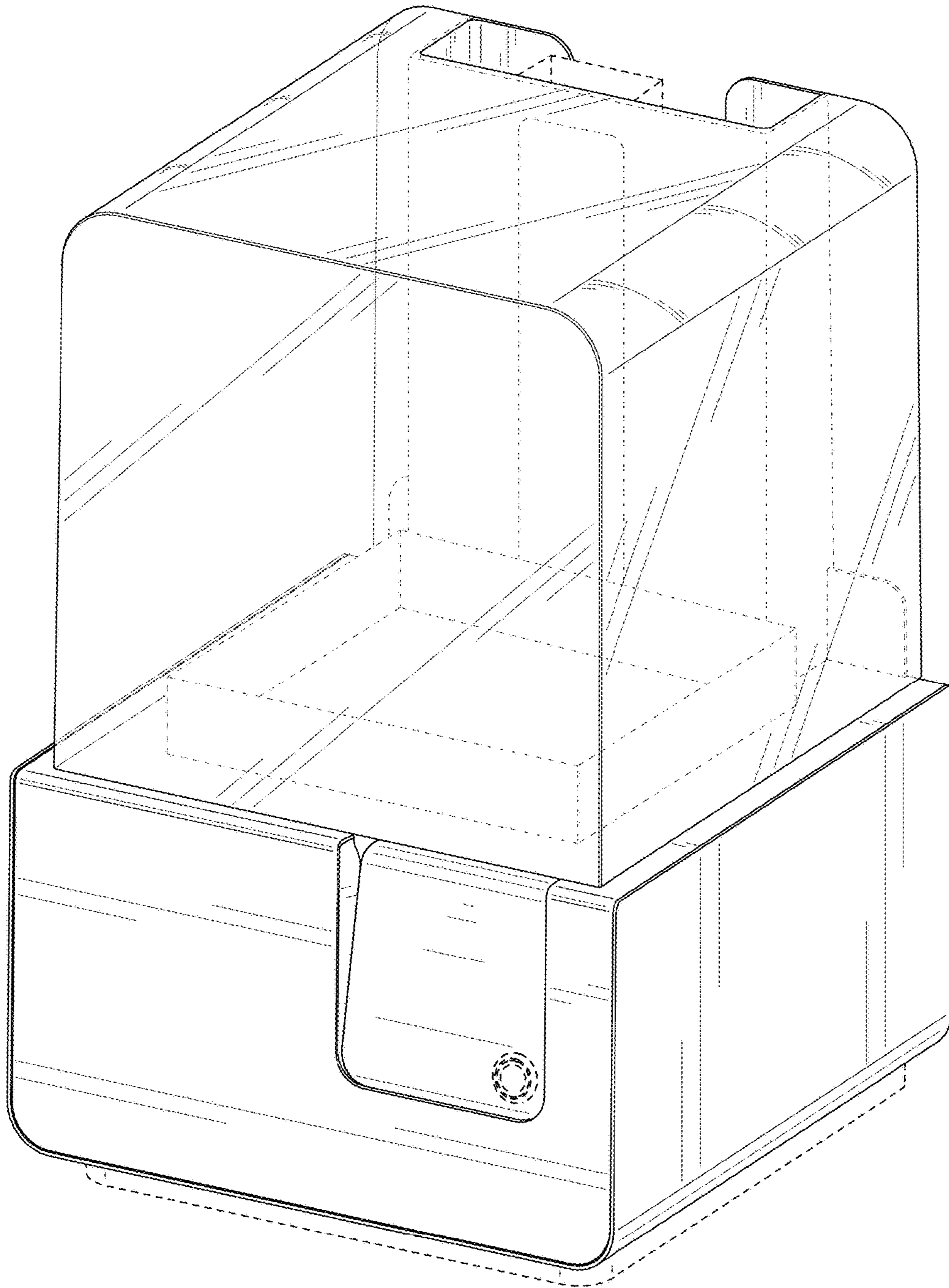


FIG. 8

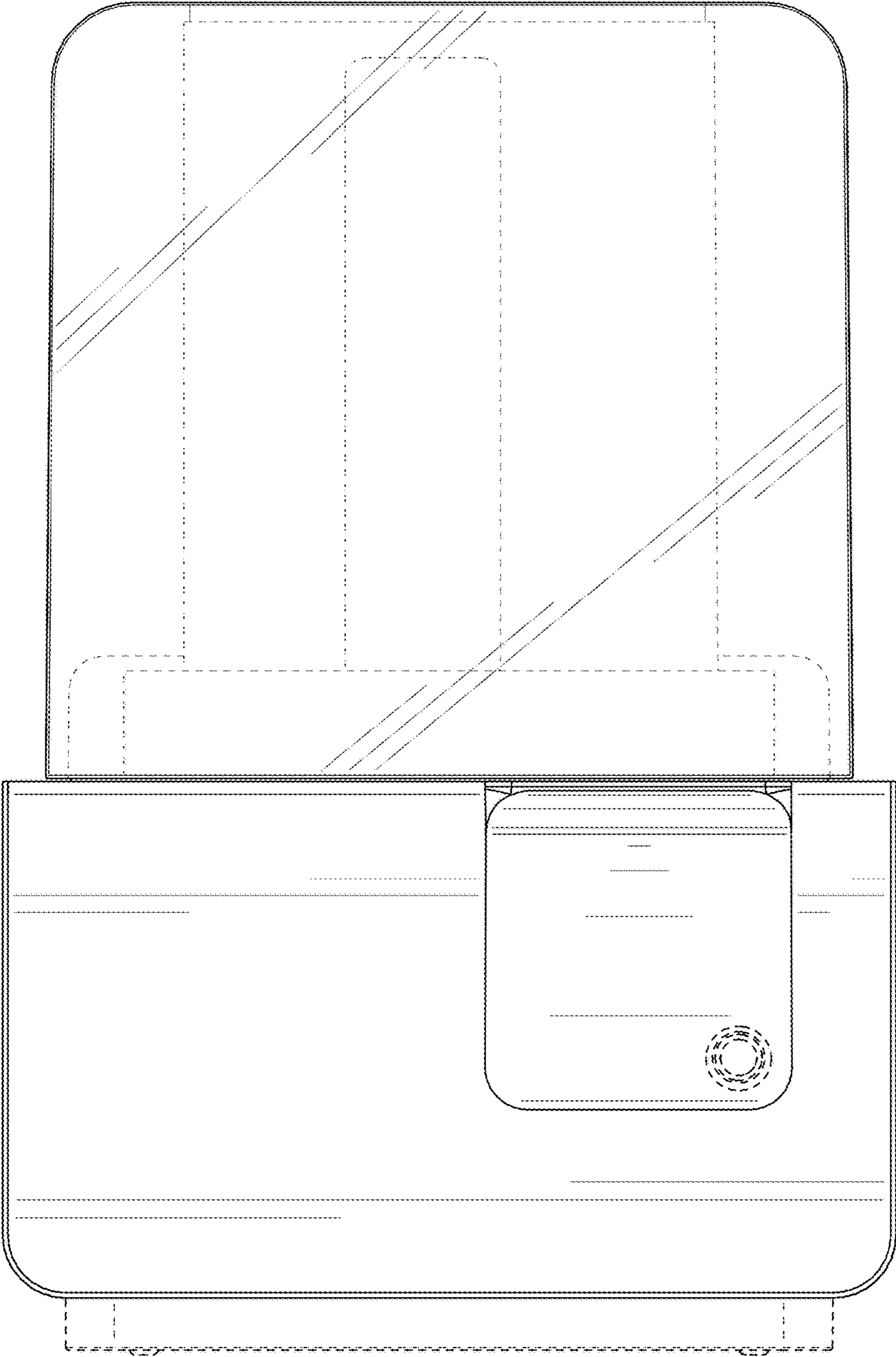


FIG. 9

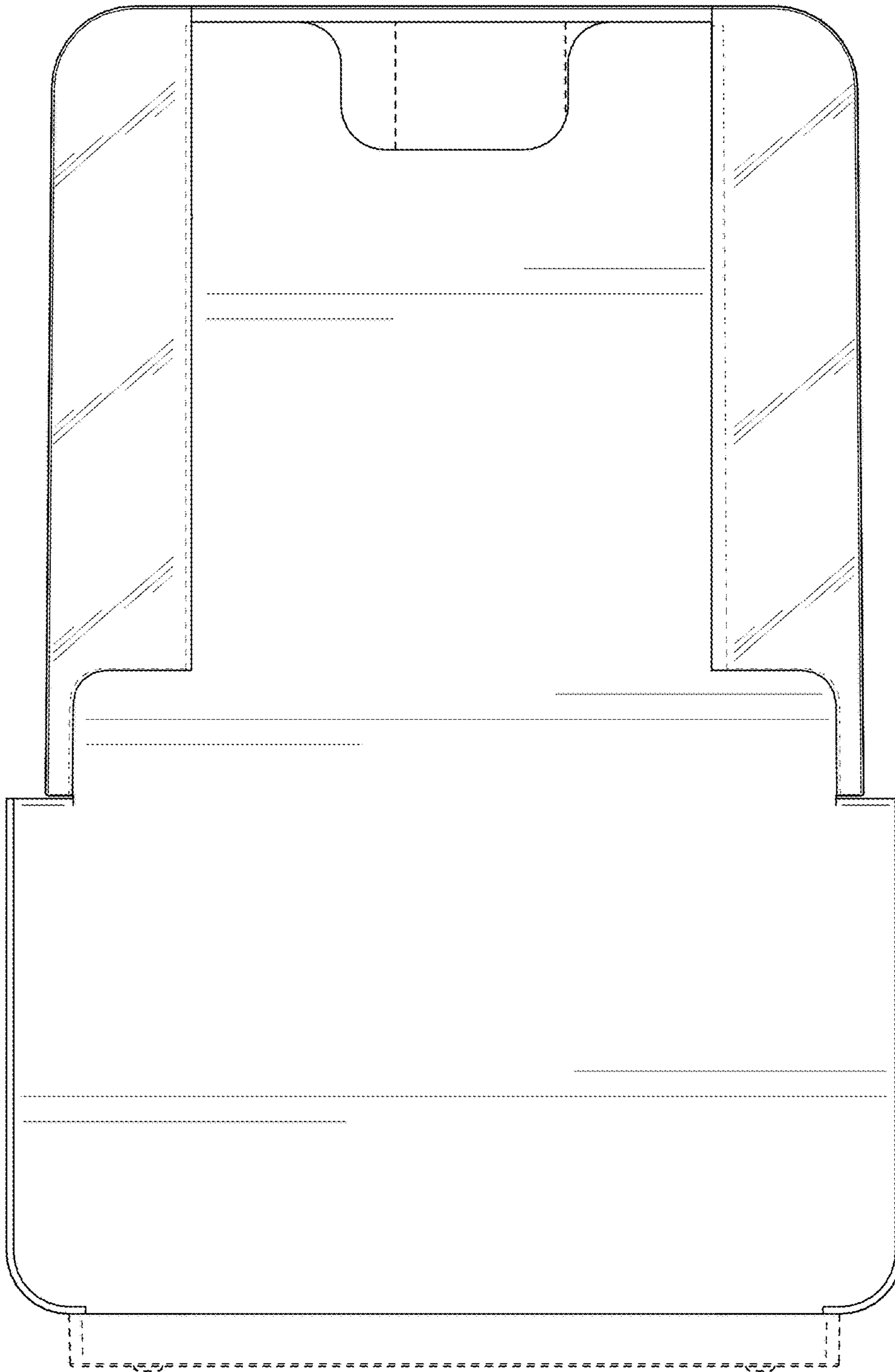


FIG. 10

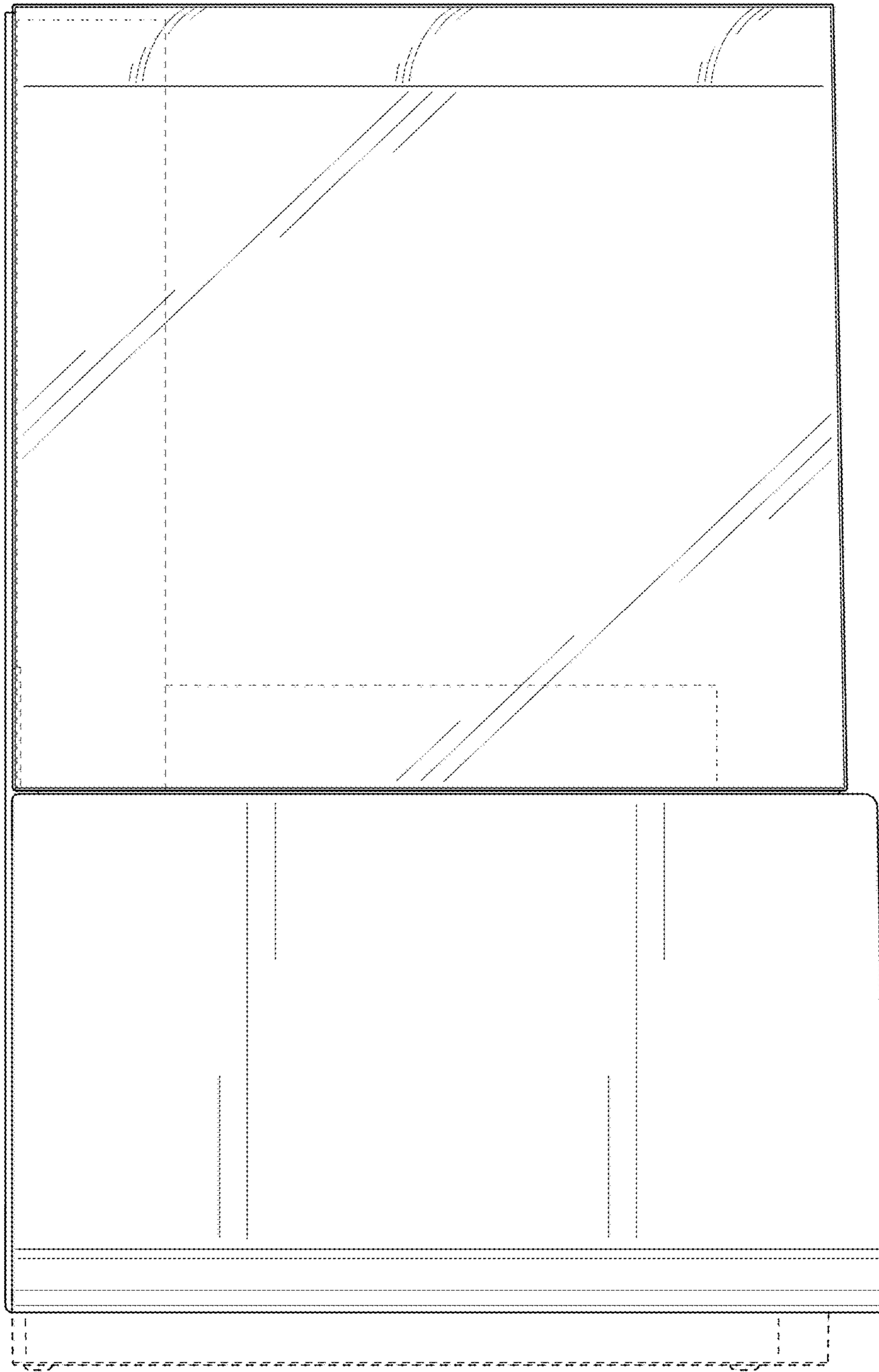


FIG. 11



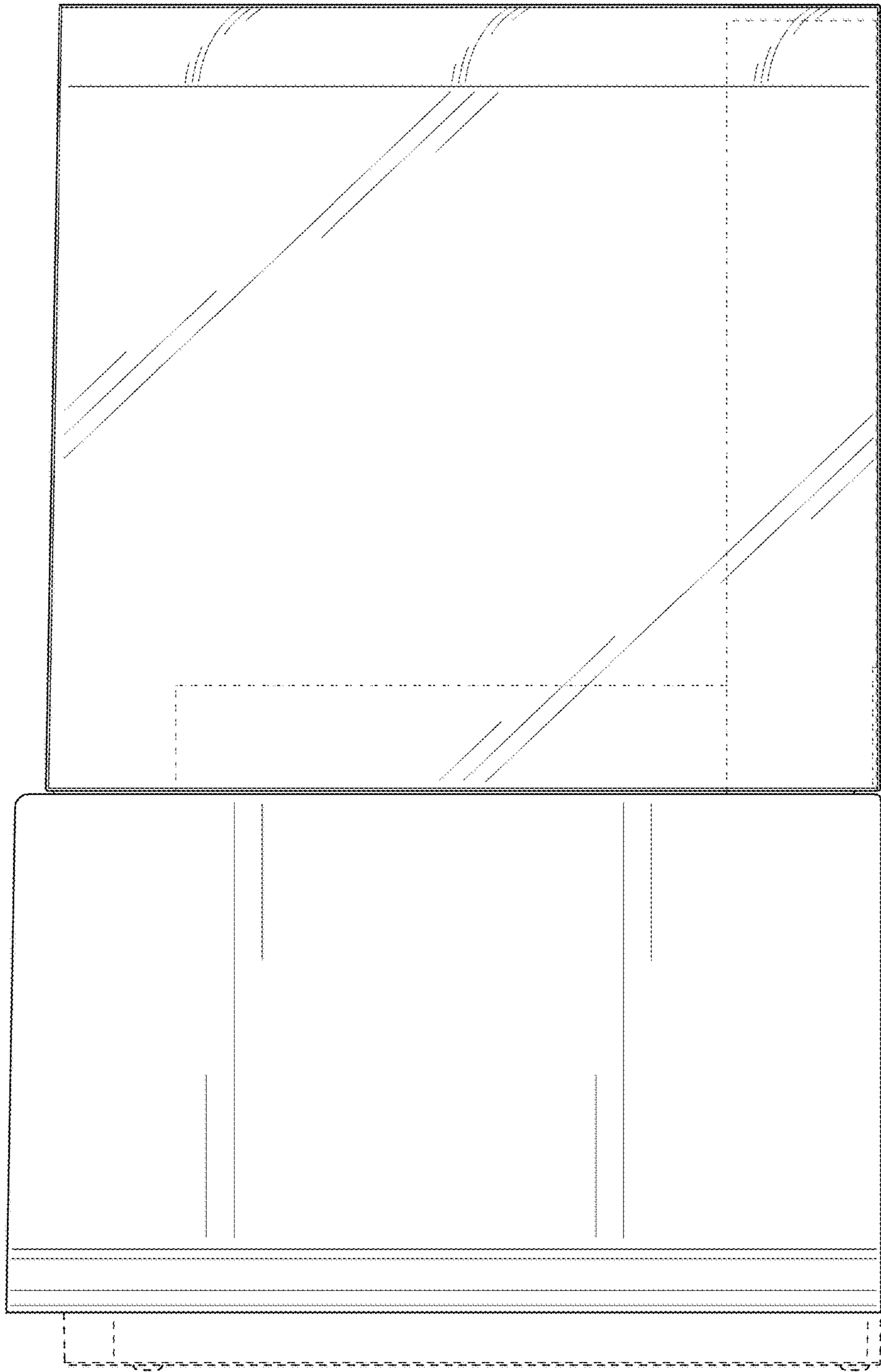


FIG. 12

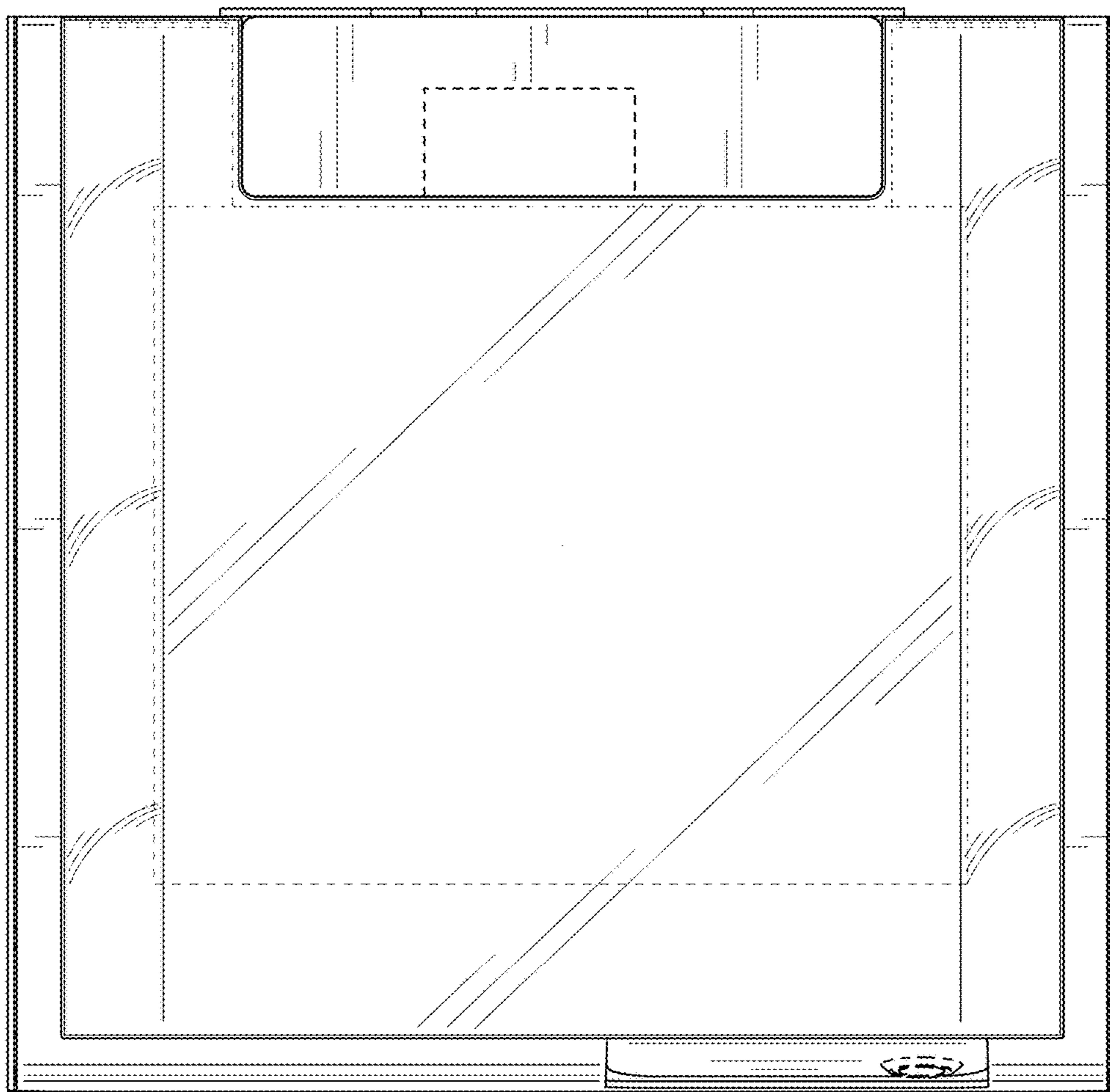


FIG. 13

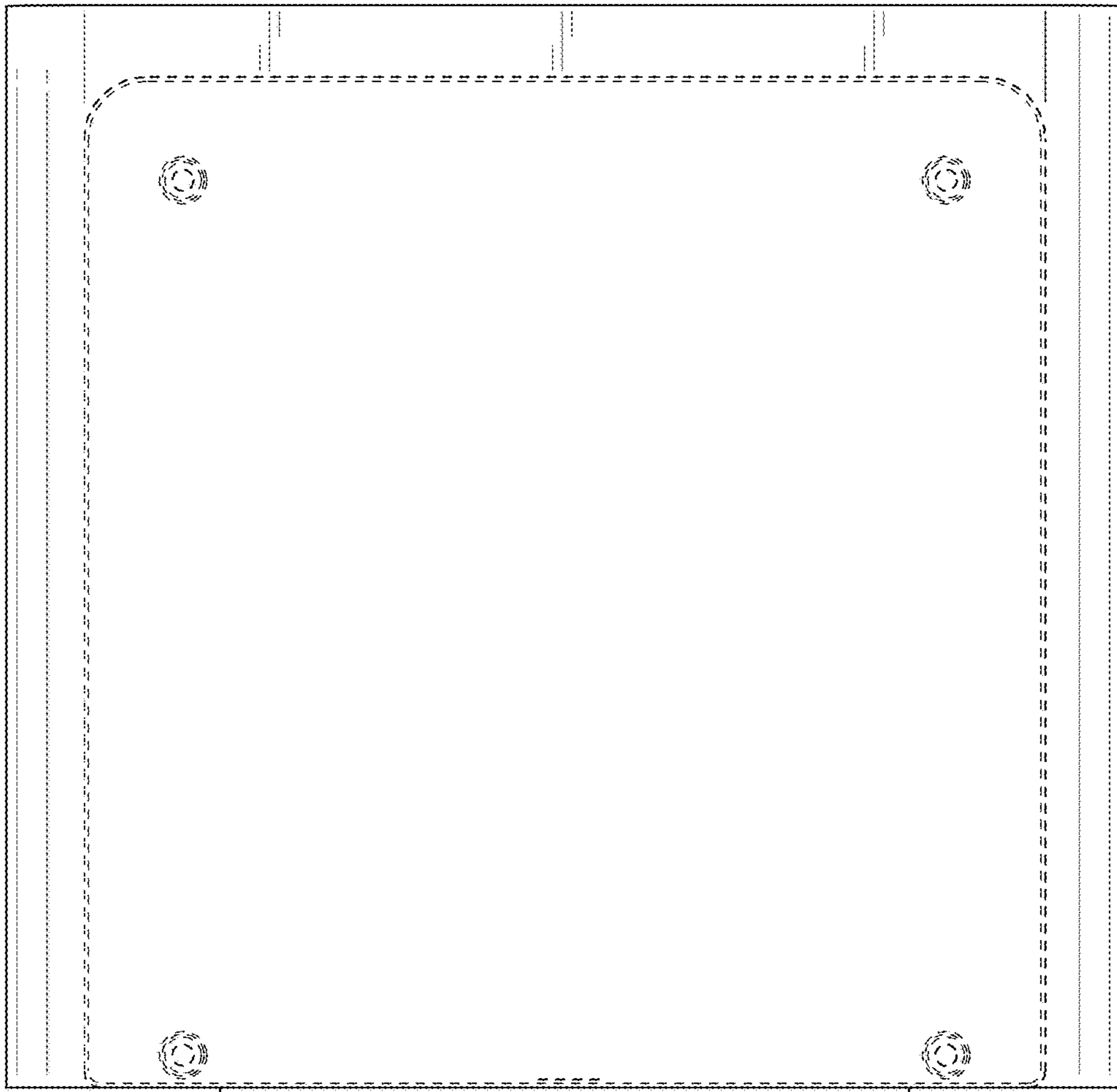


FIG. 14

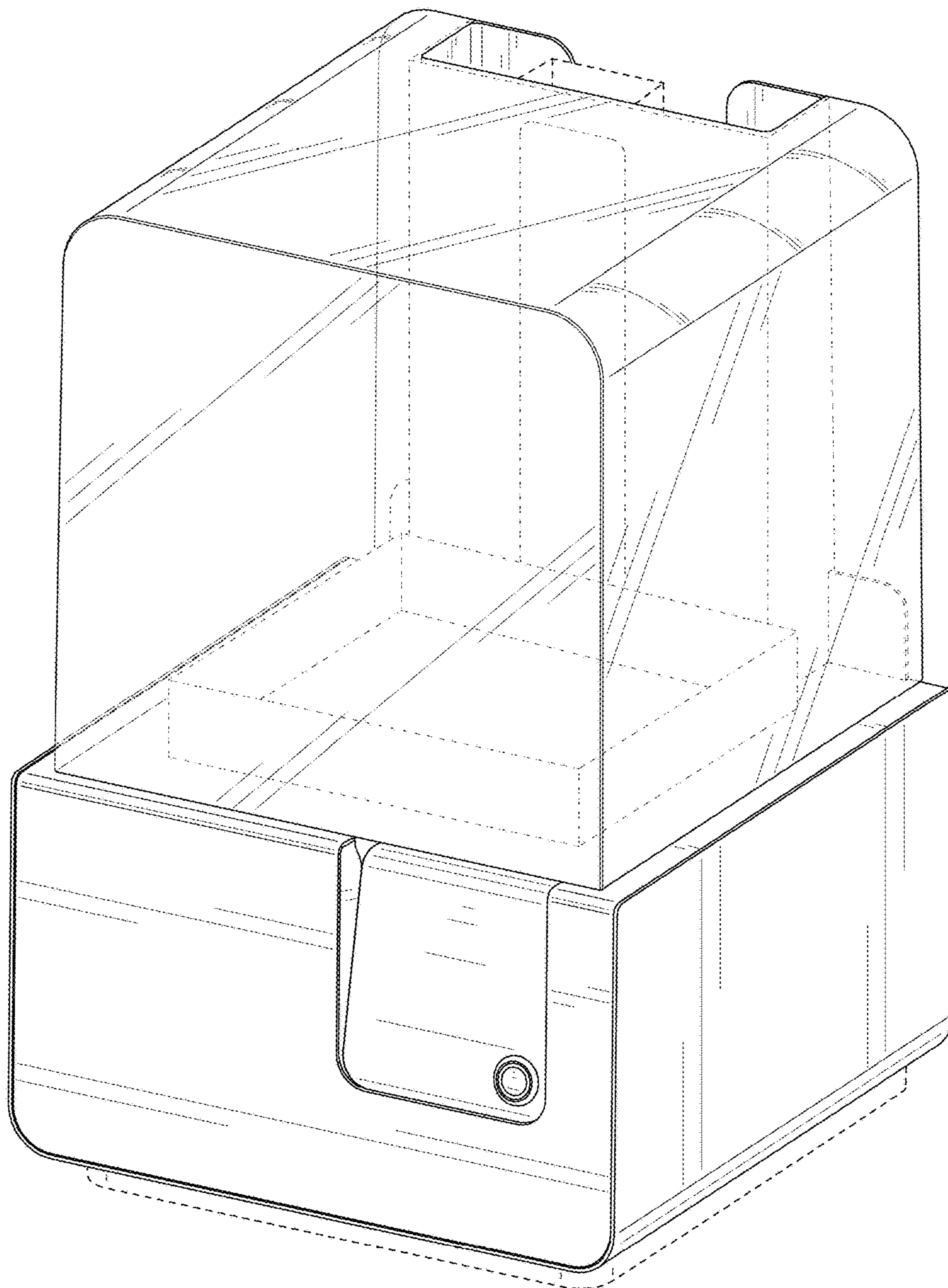


FIG. 15

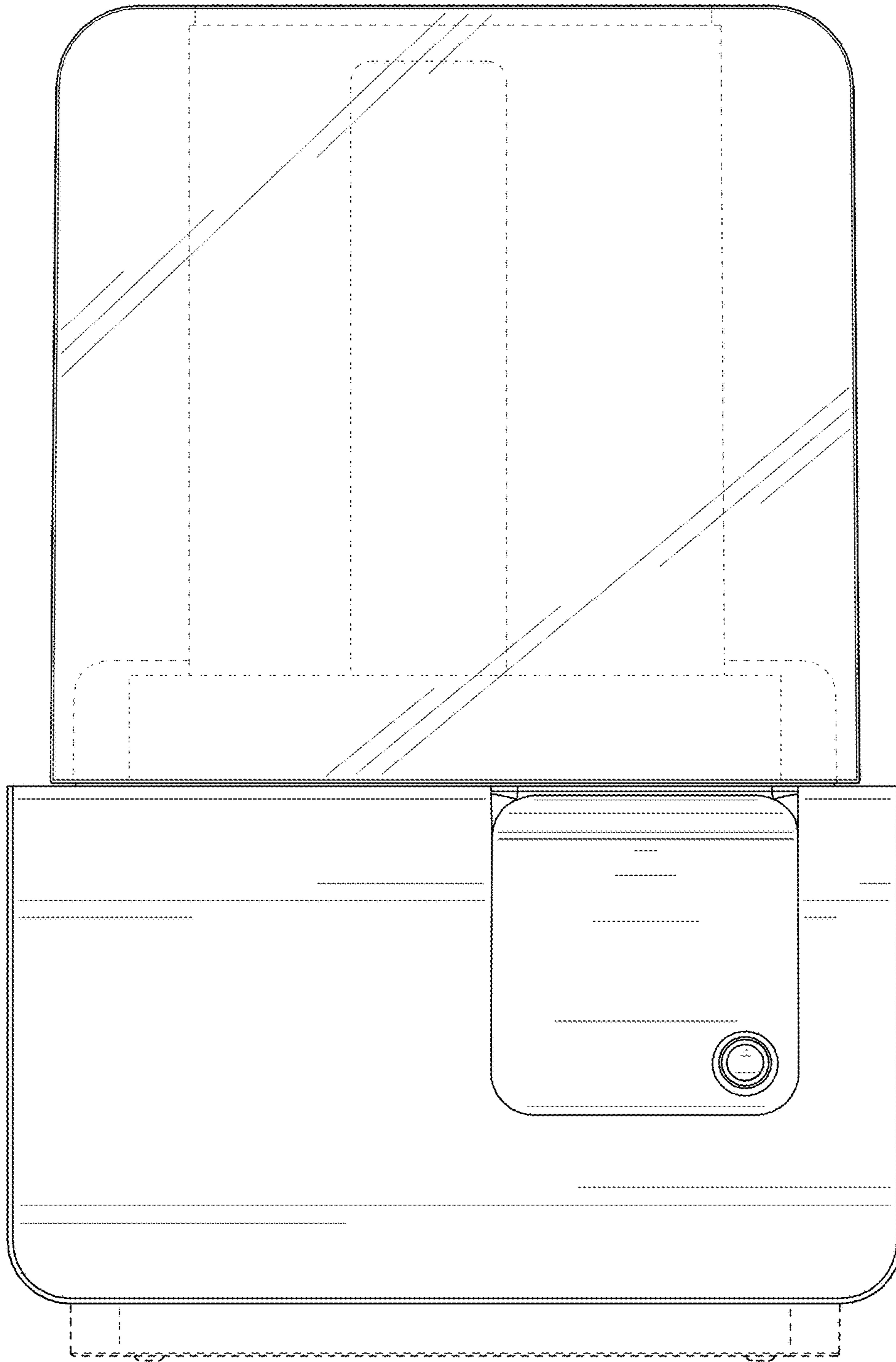


FIG. 16



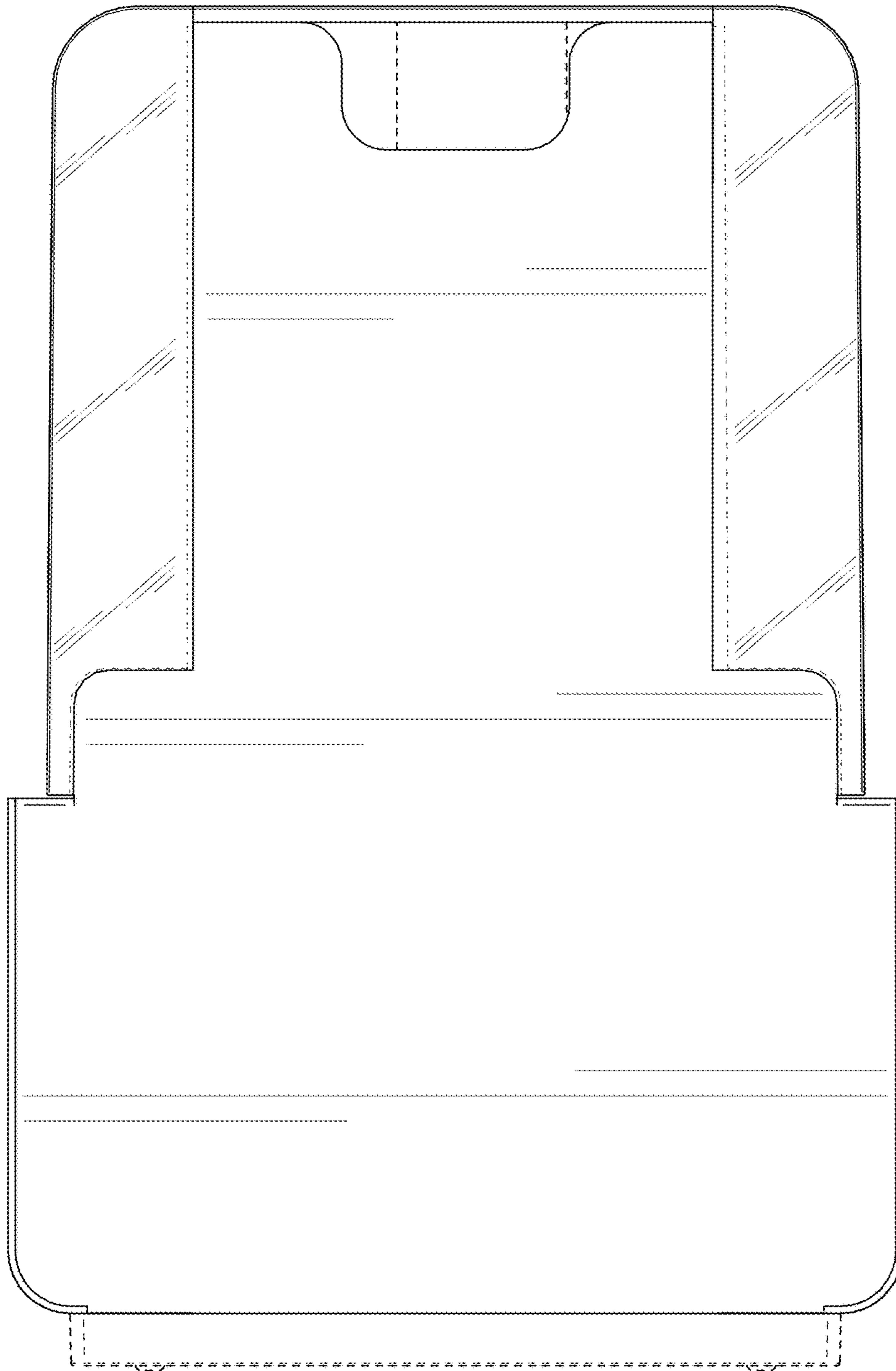


FIG. 17

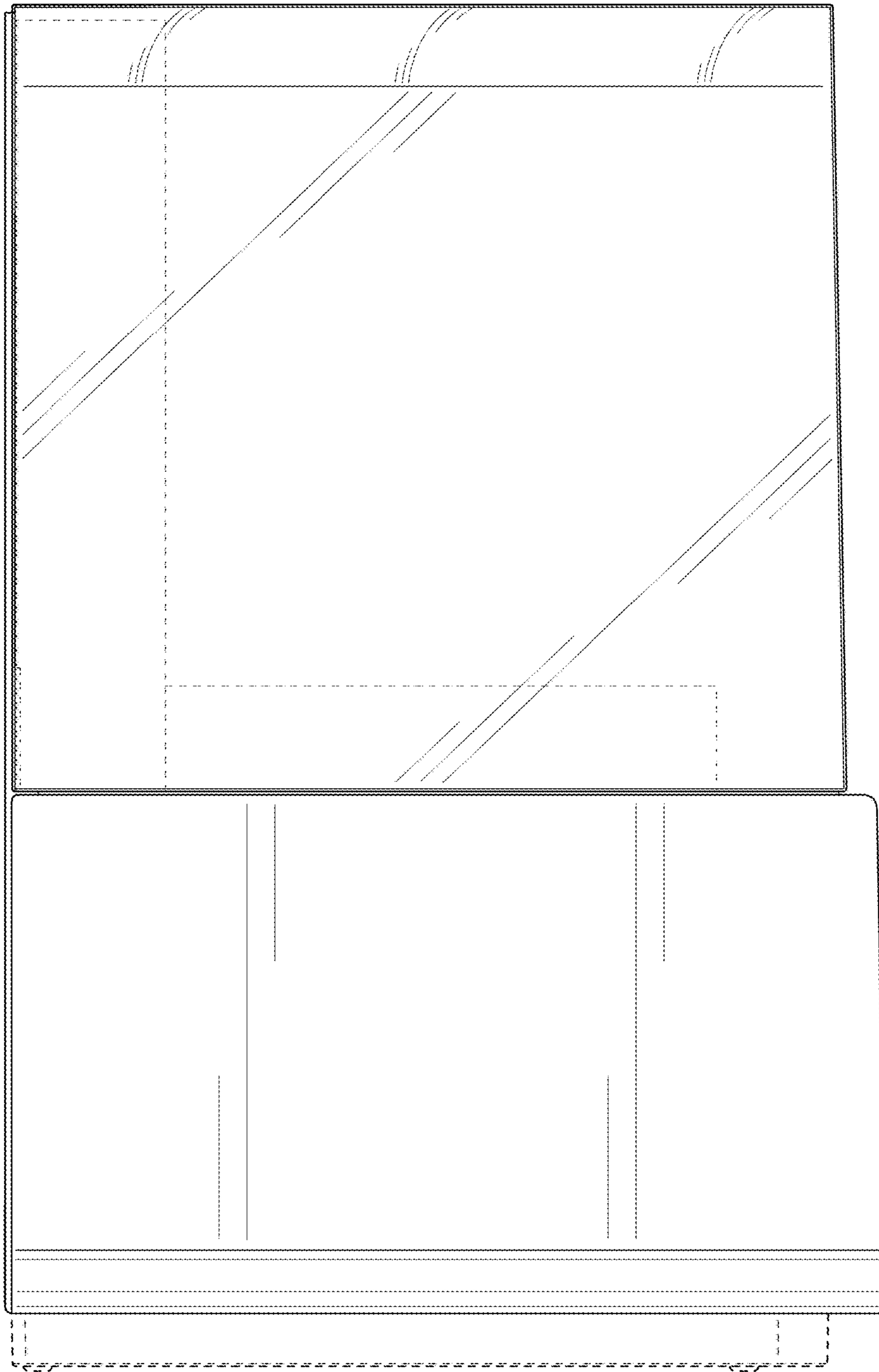


FIG. 18

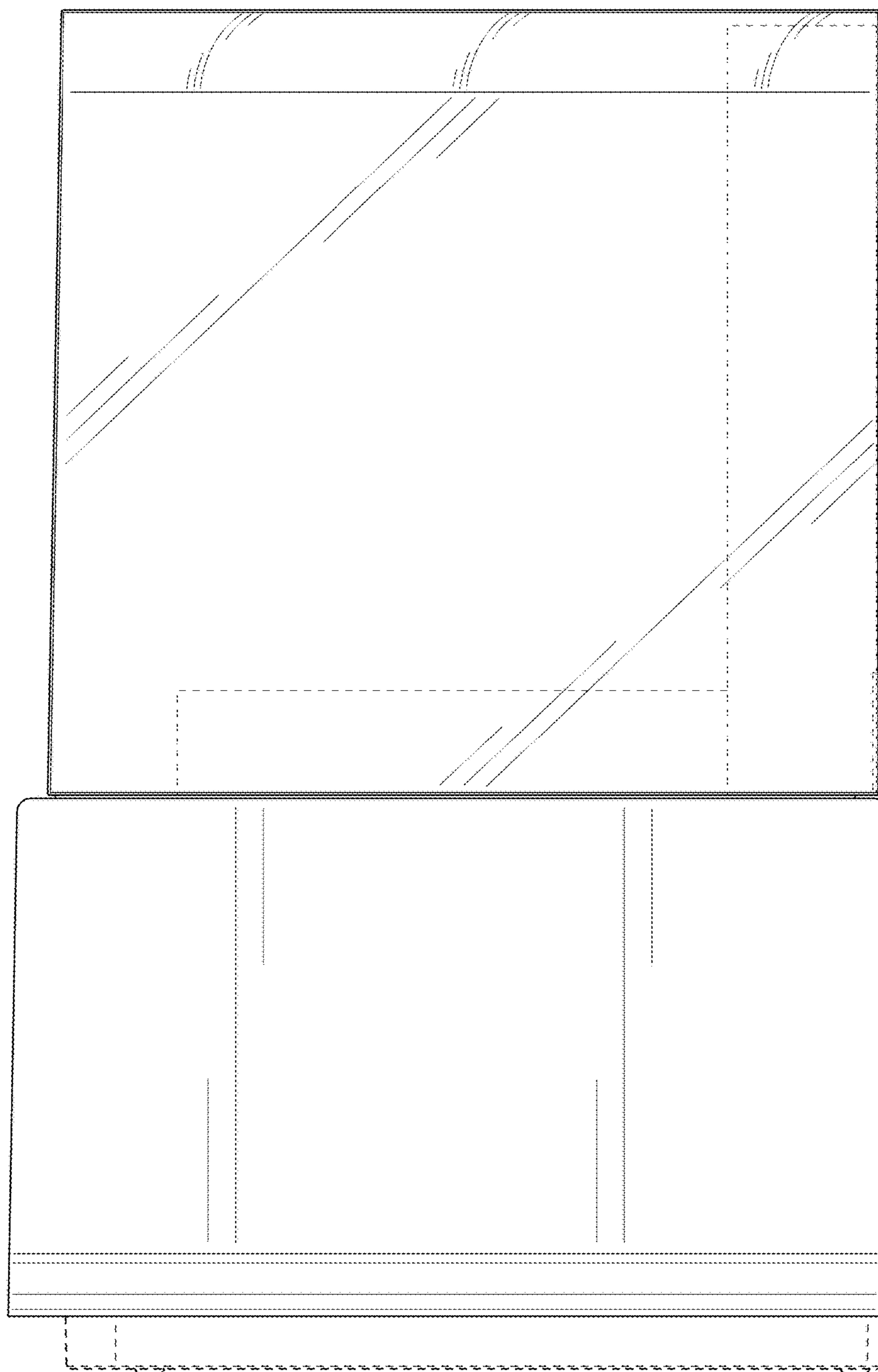


FIG. 19

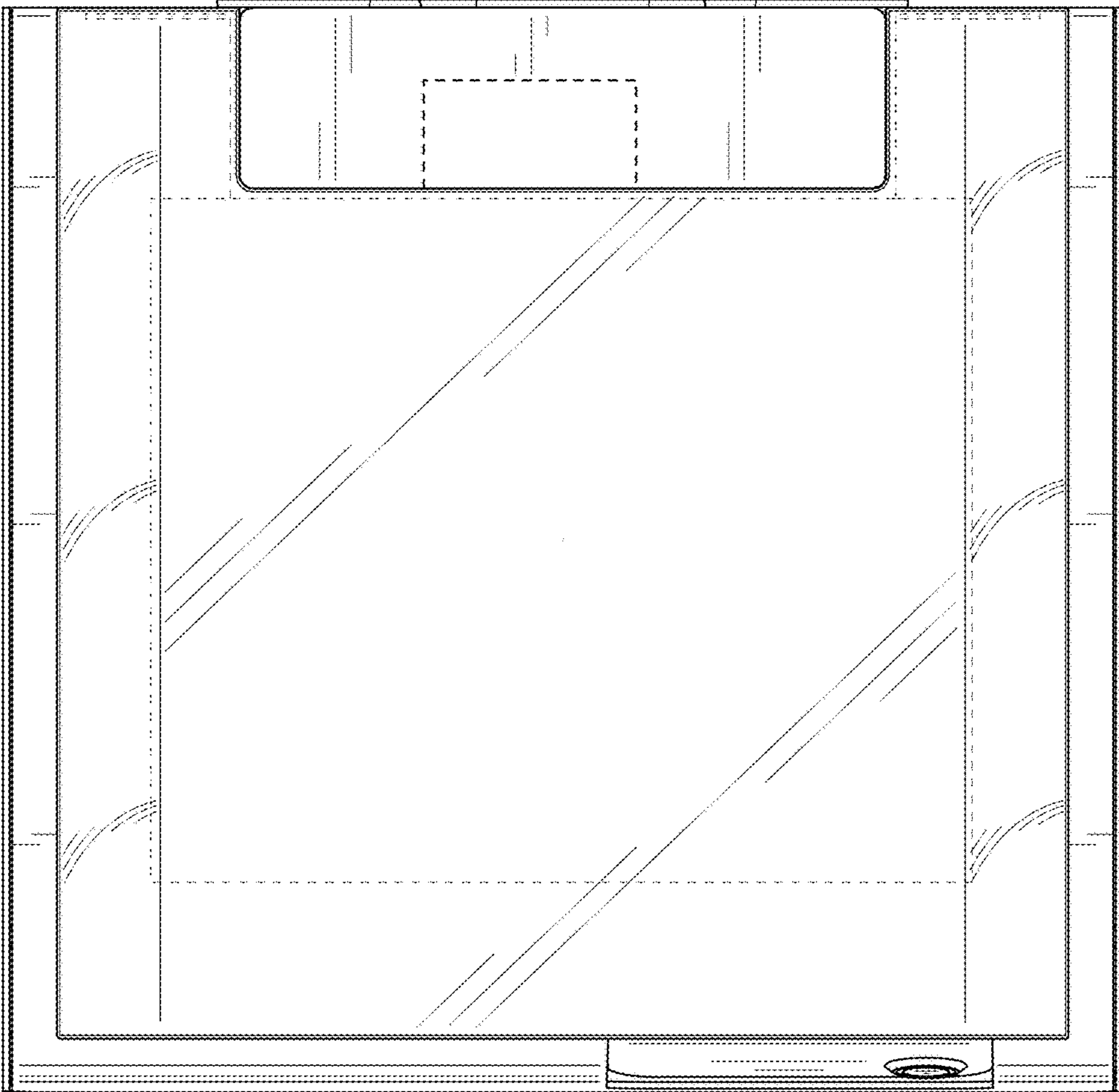


FIG. 20

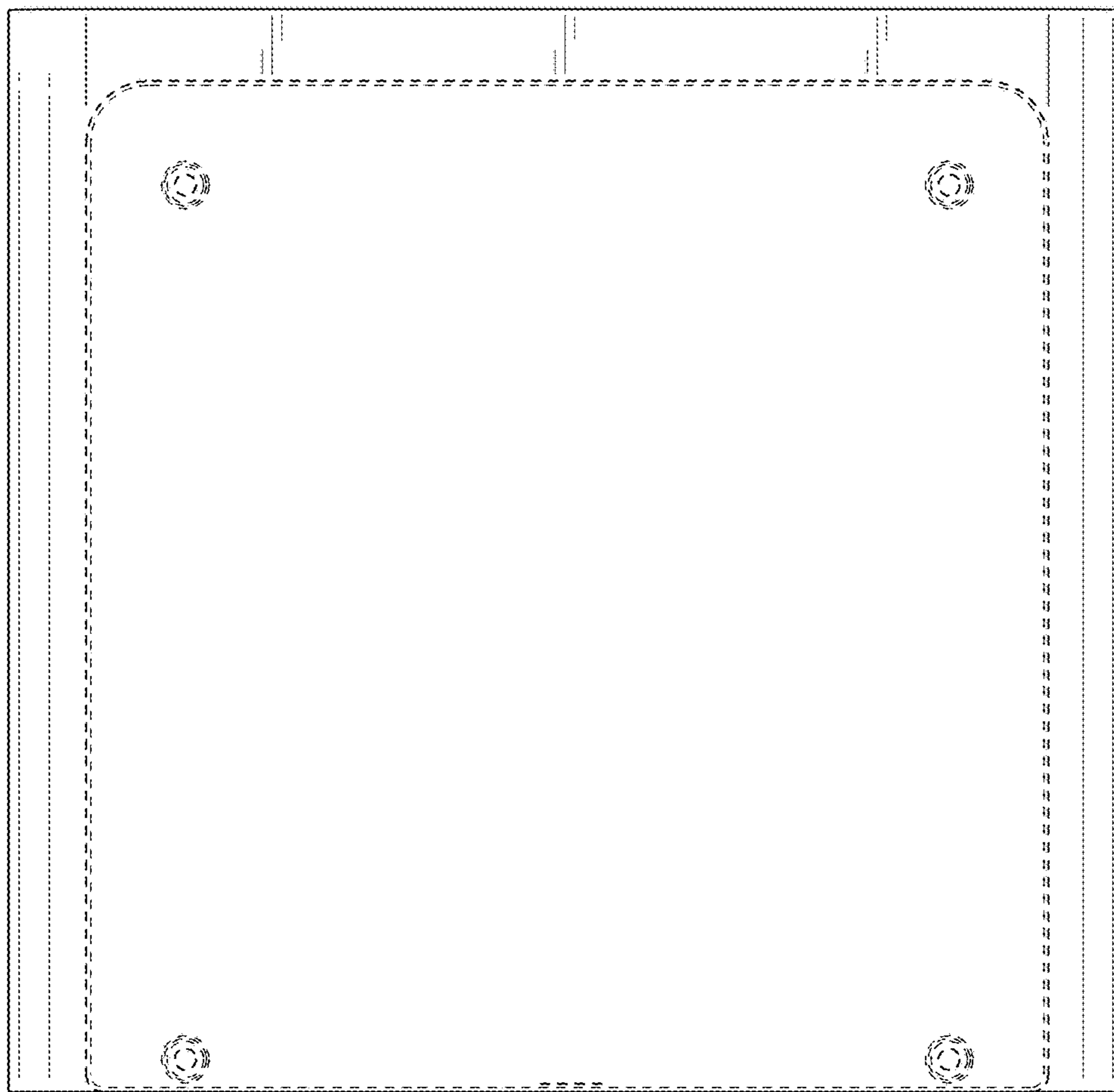


FIG. 21



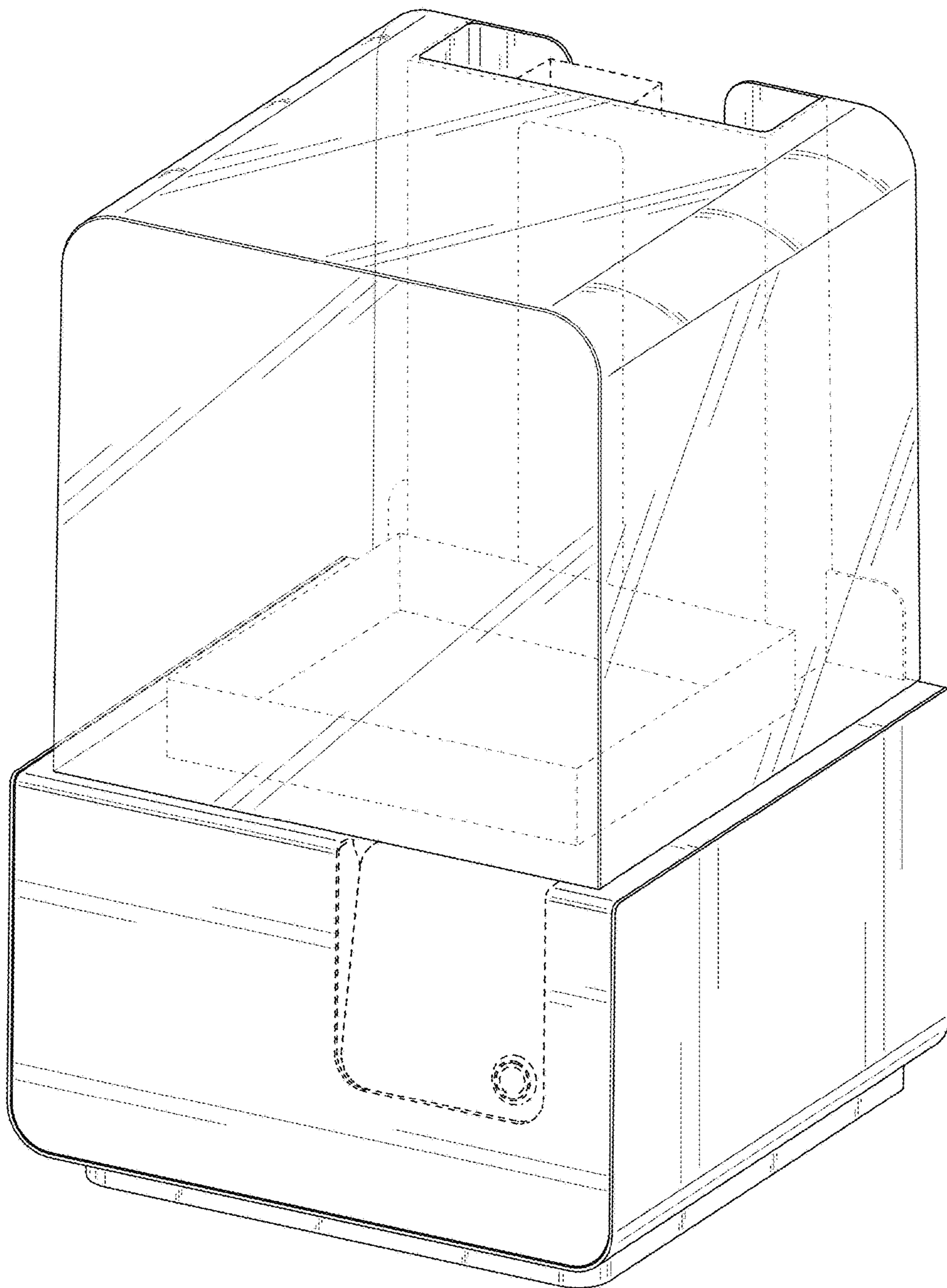


FIG. 22

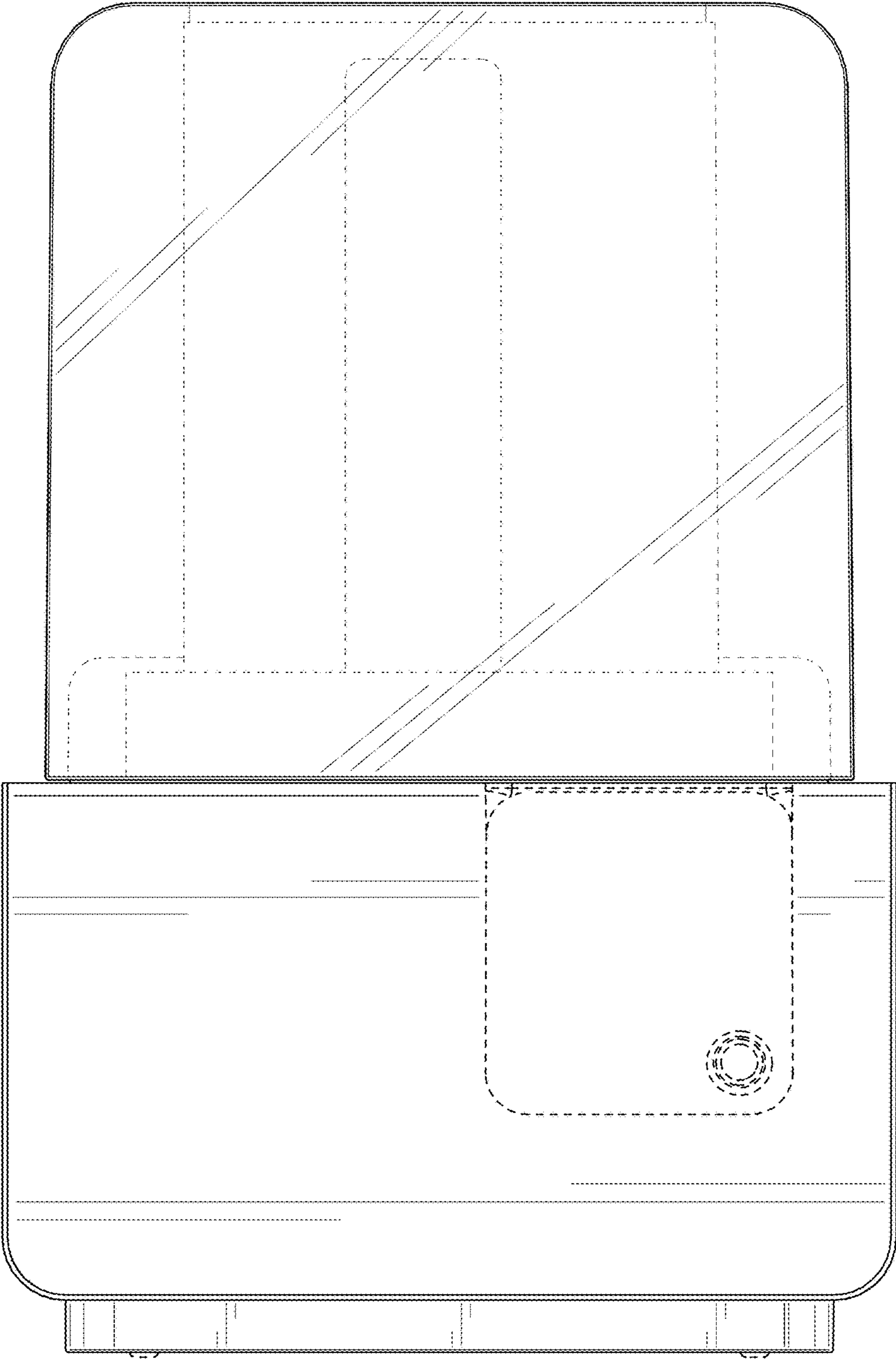


FIG. 23

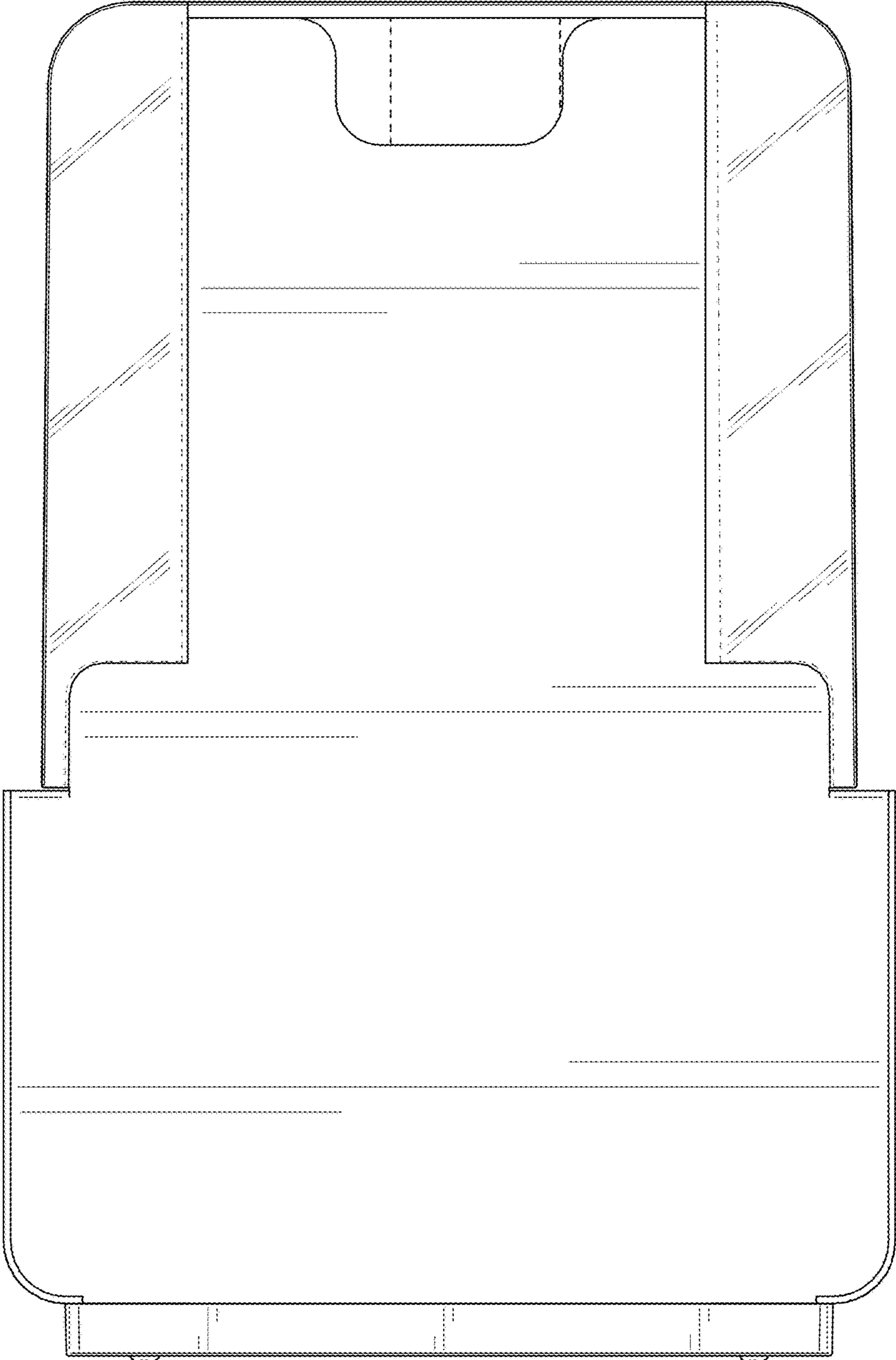


FIG. 24

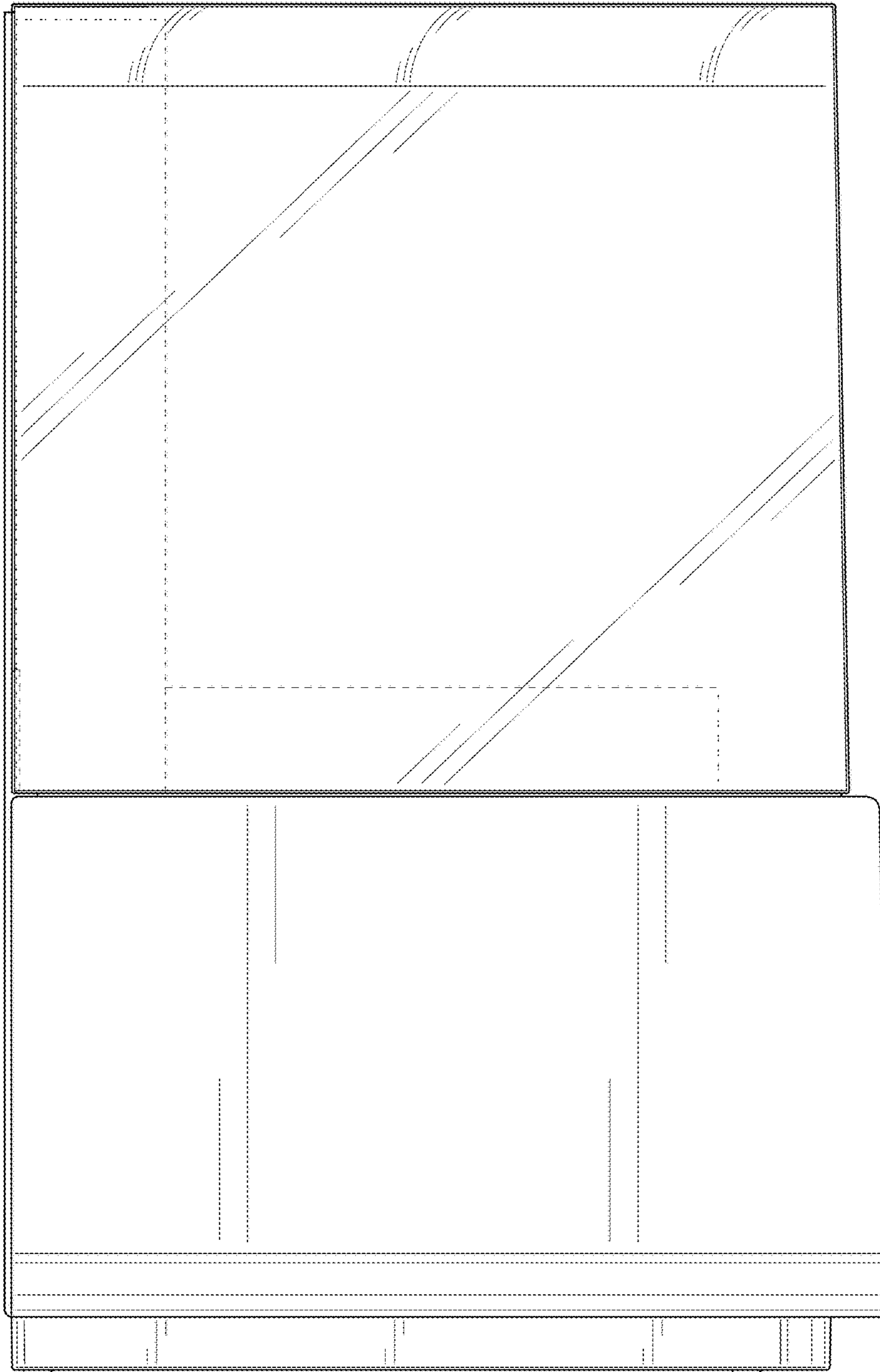


FIG. 25

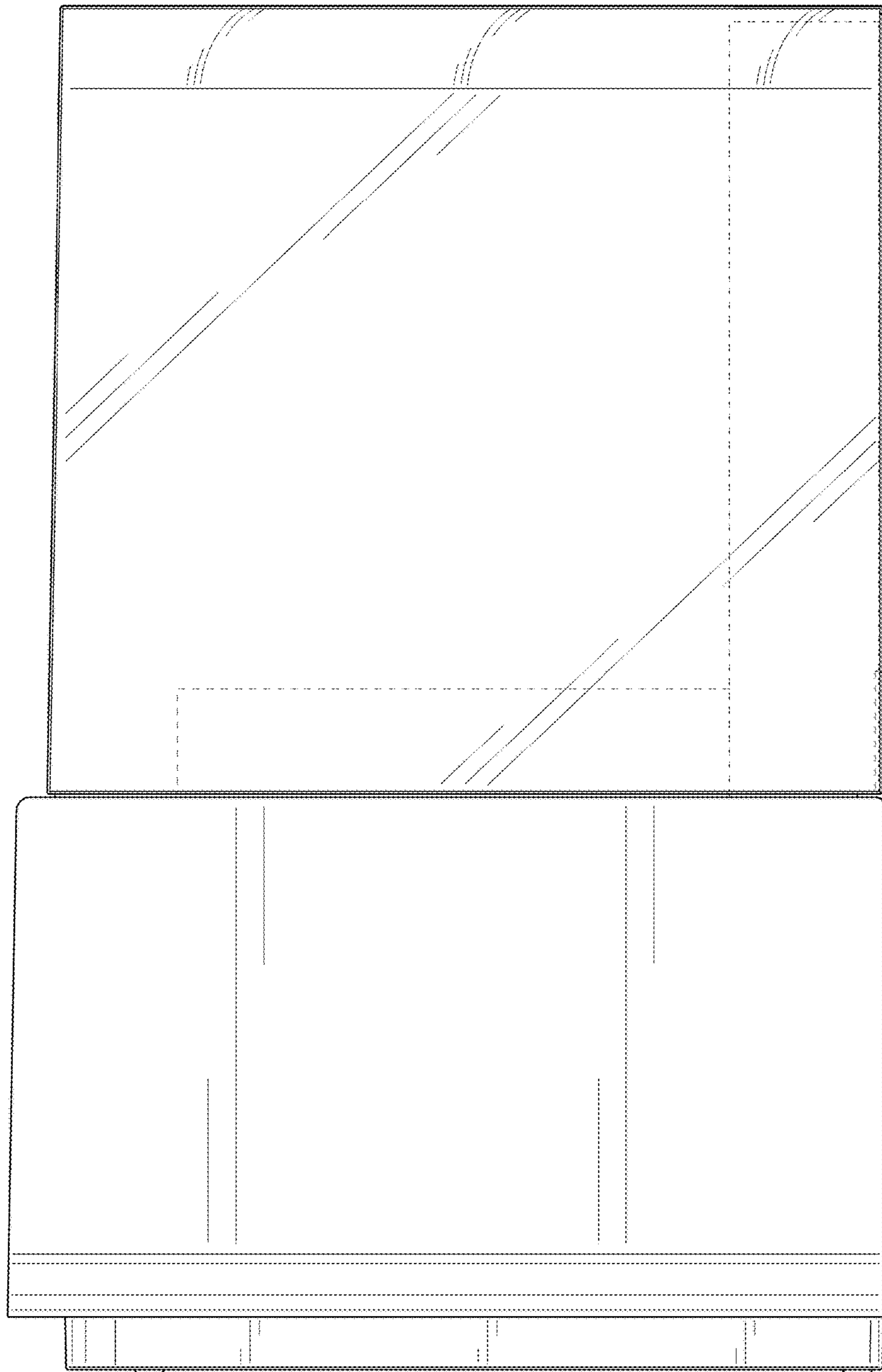


FIG. 26



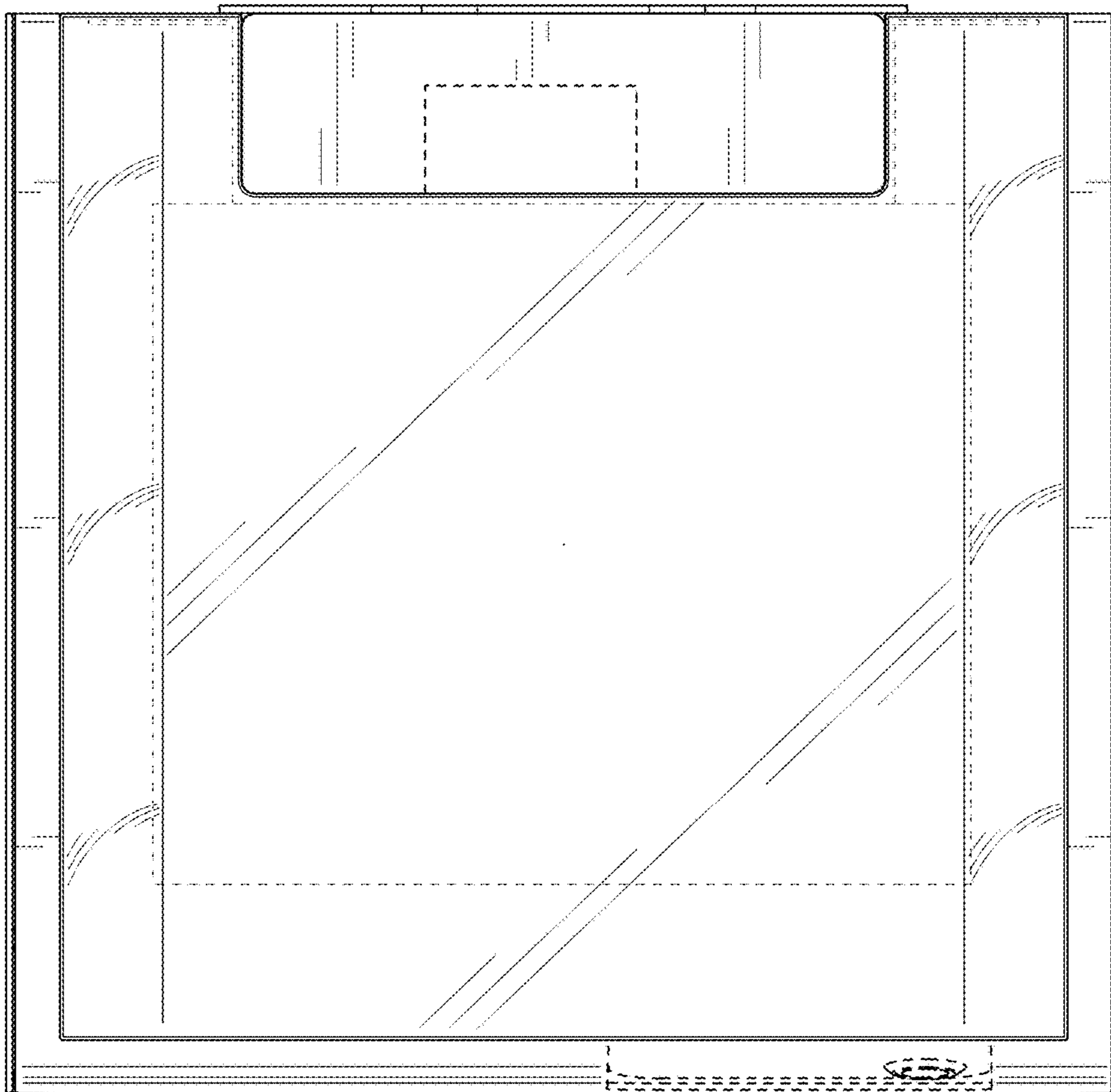


FIG. 27

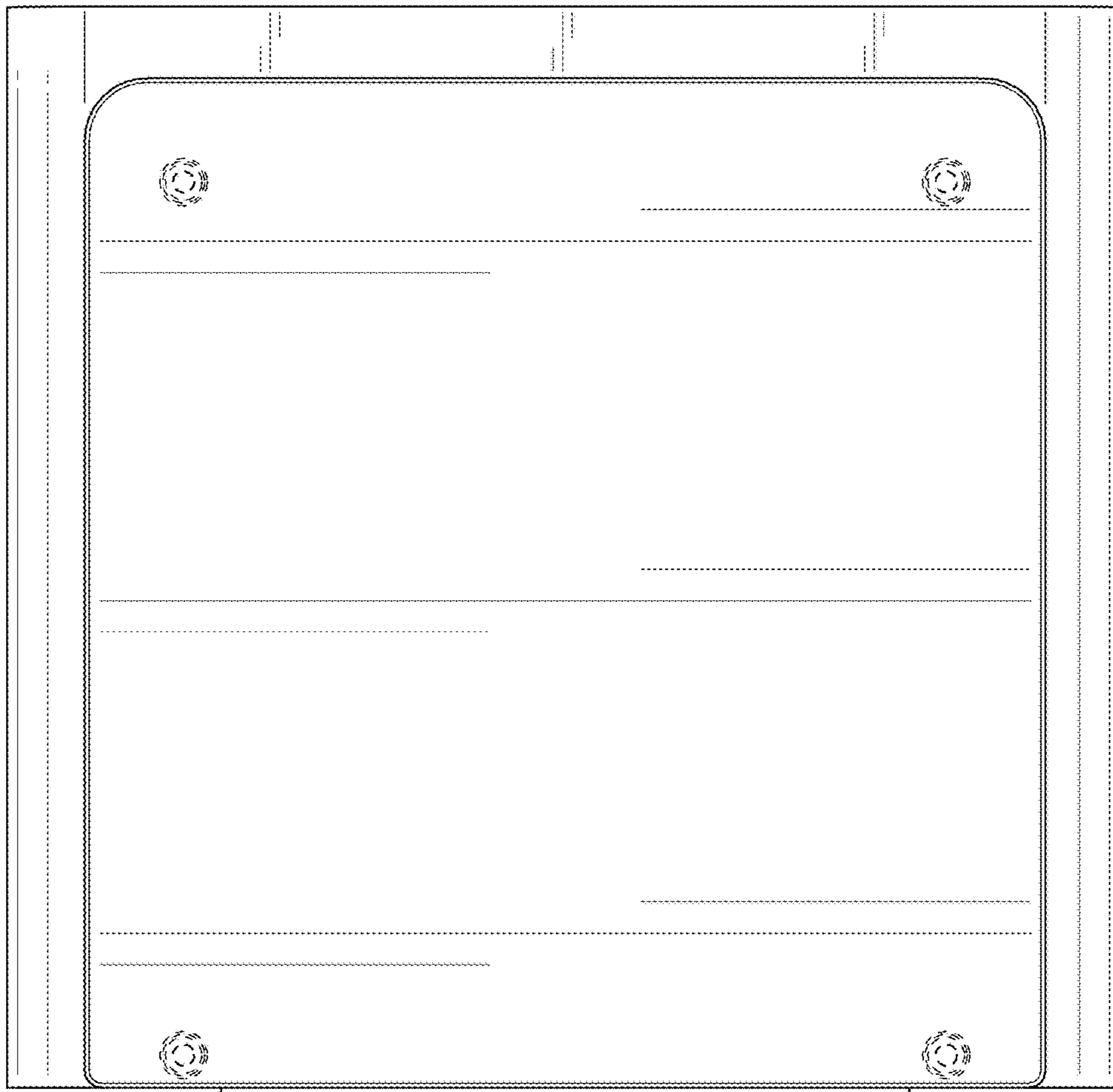


FIG. 28

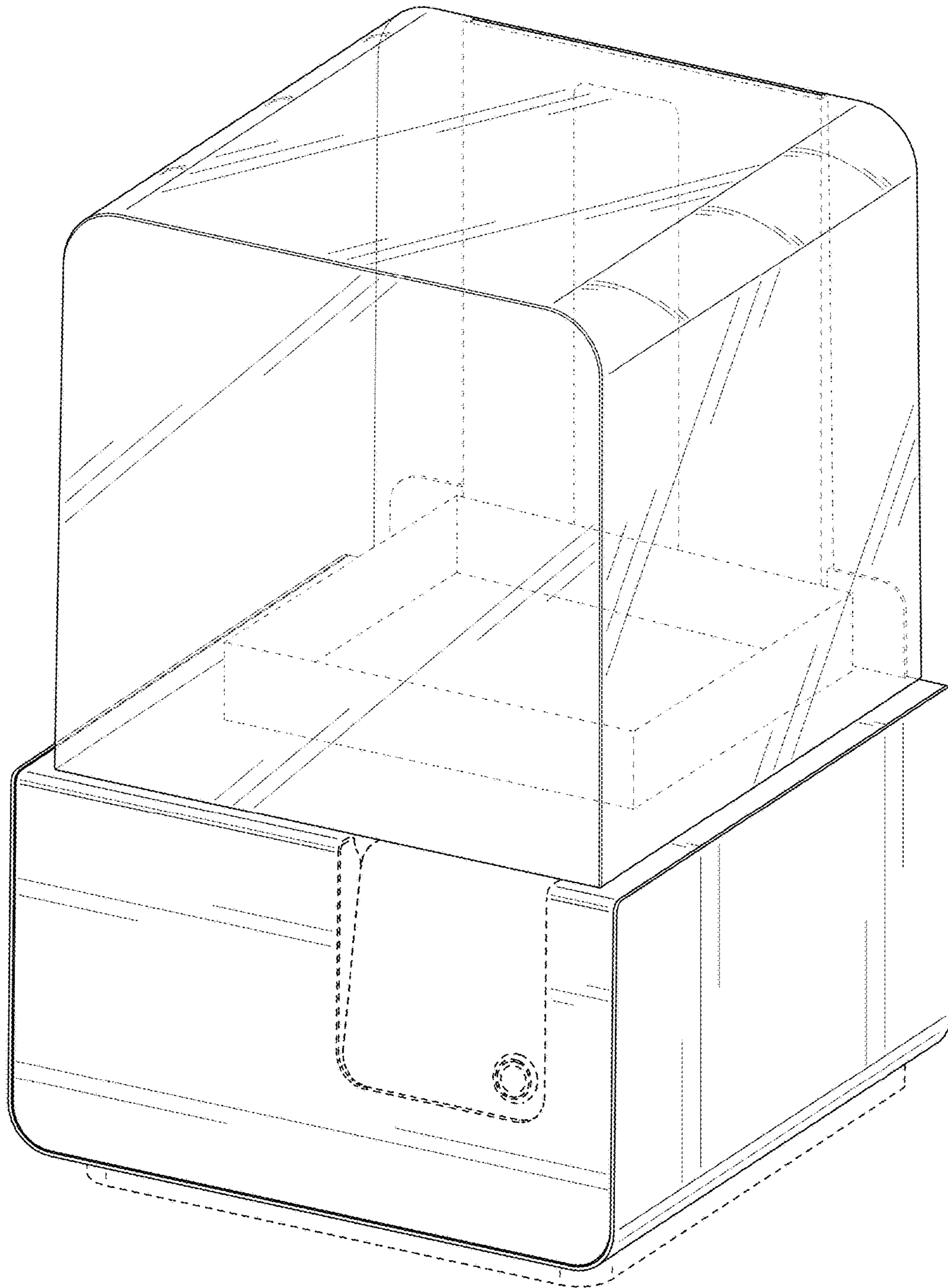


FIG. 29

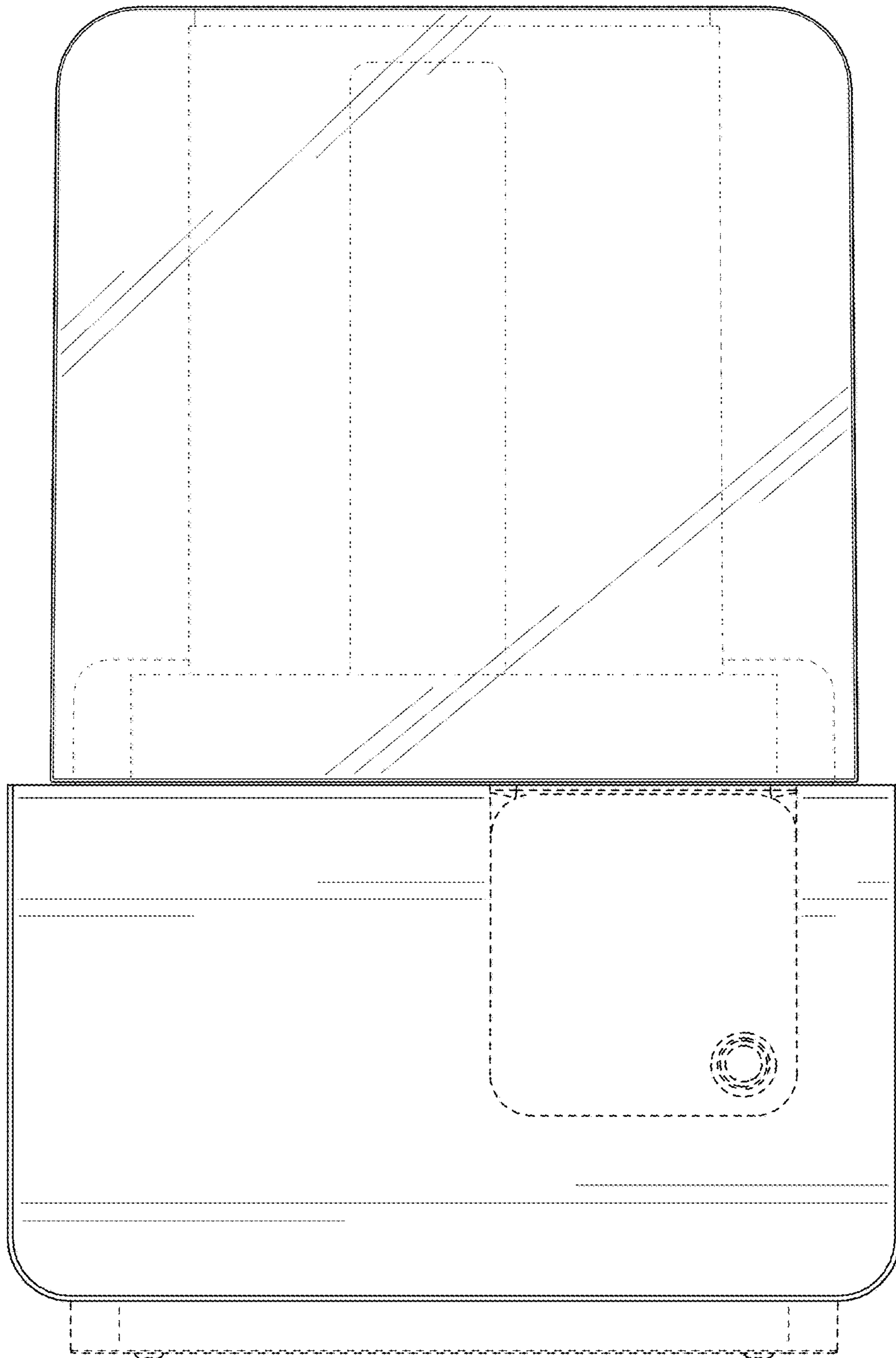


FIG. 30

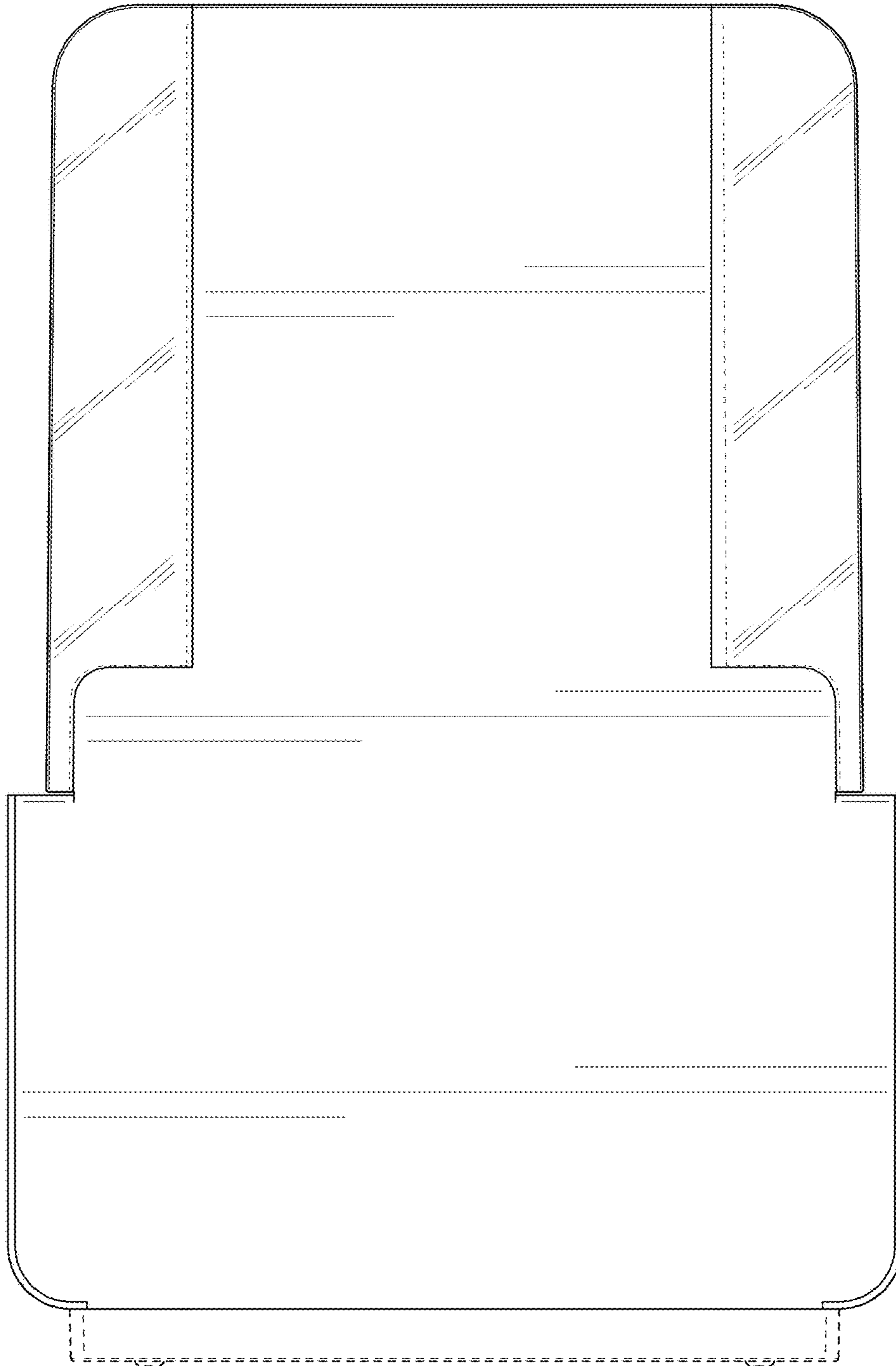


FIG. 31

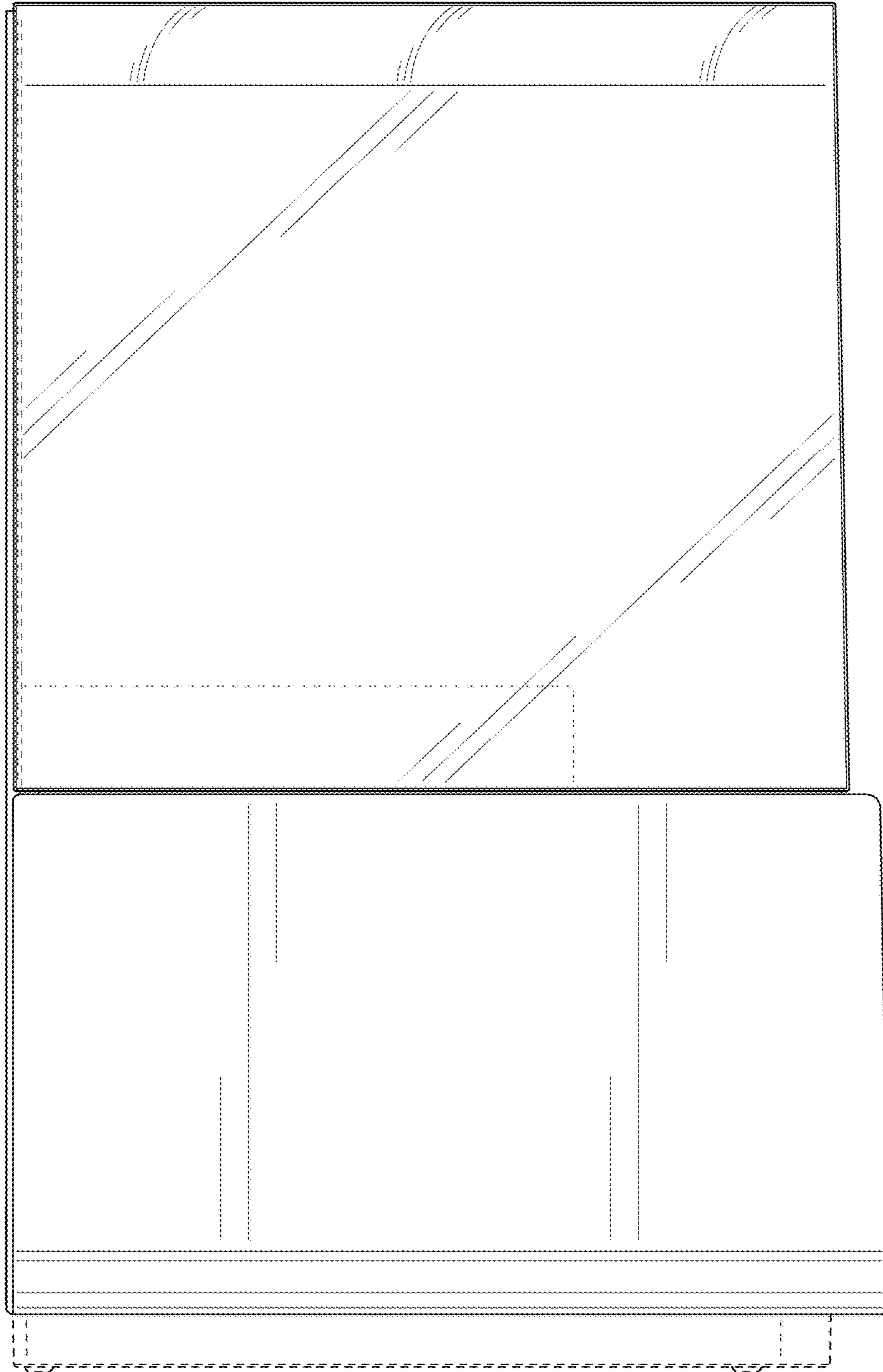


FIG. 32



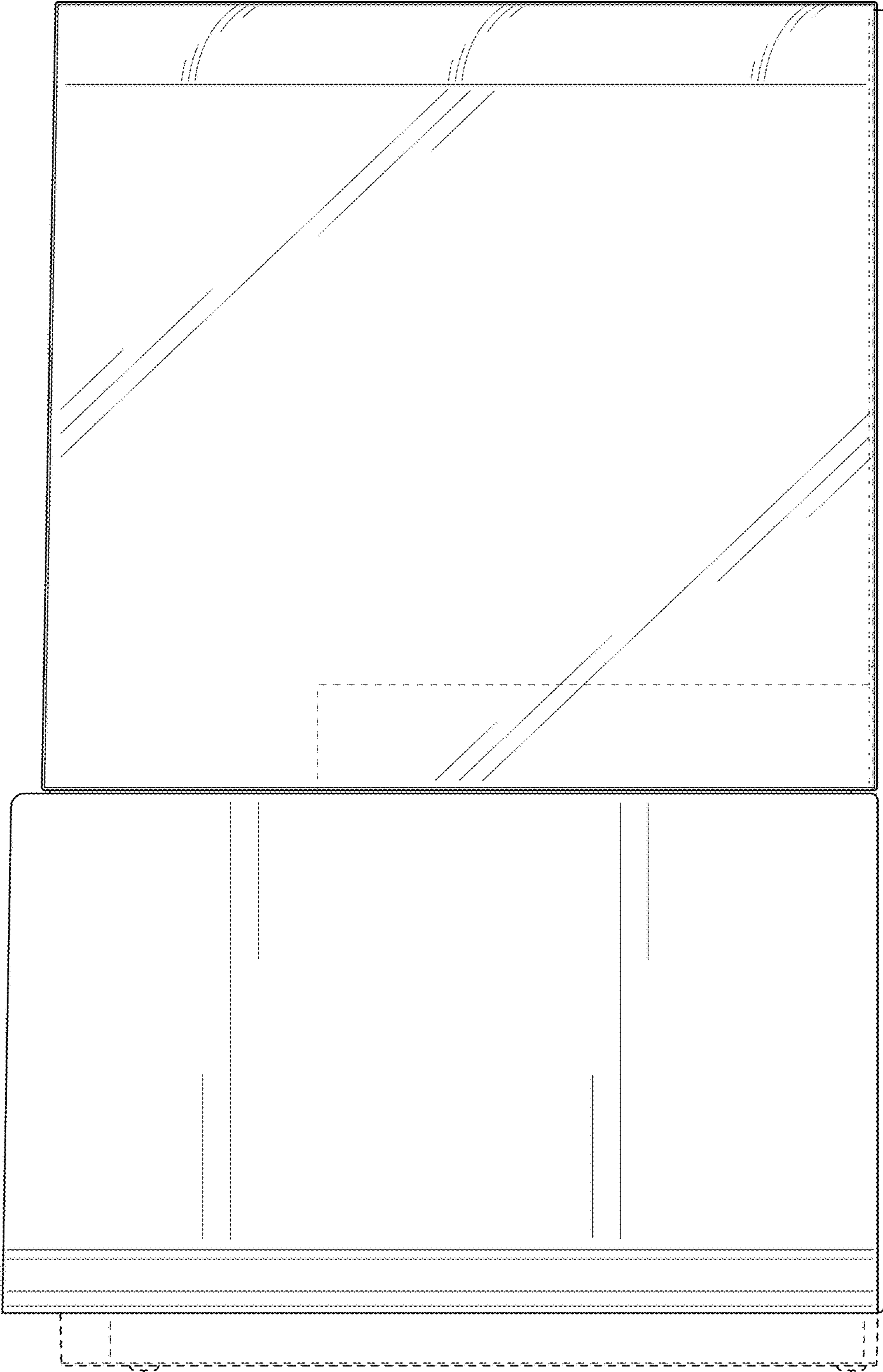


FIG. 33

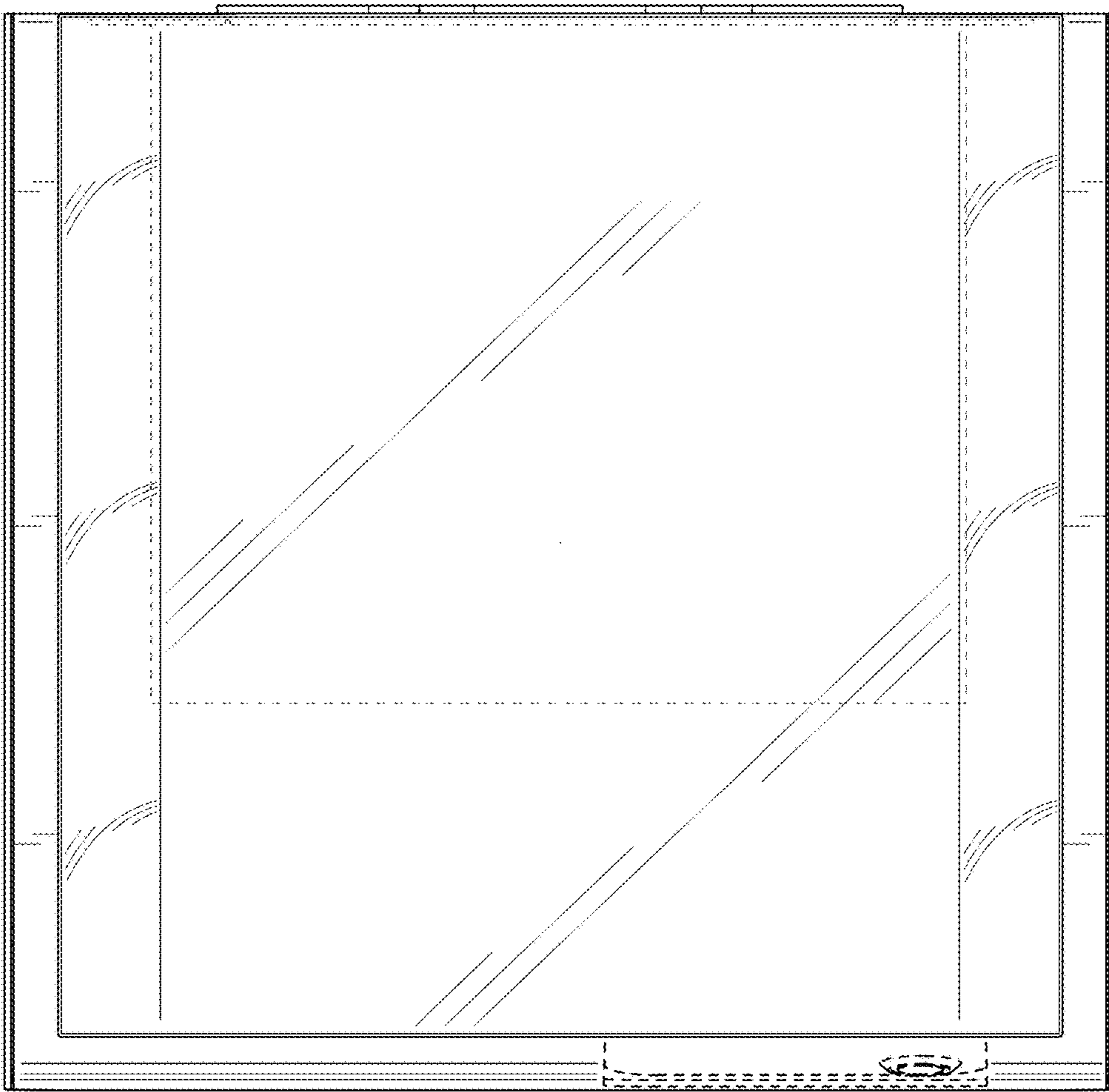


FIG. 34

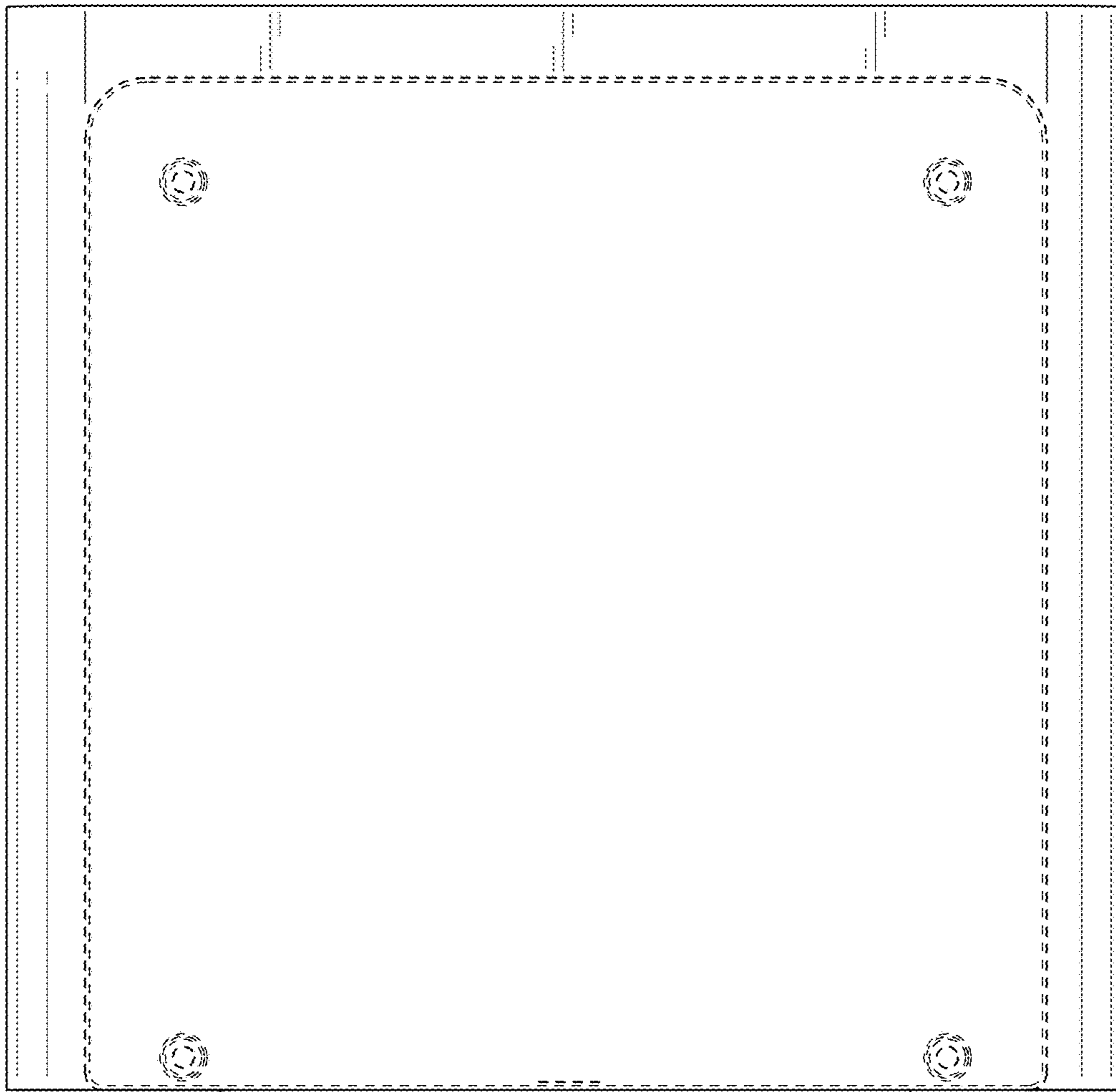


FIG. 35