



US00D783692S

(12) **United States Design Patent** (10) **Patent No.:** **US D783,692 S**
Strothmann et al. (45) **Date of Patent:** **** Apr. 11, 2017**

(54) **SPIN COATER/DEVELOPER**

(57) **CLAIM**

The ornamental design for a spin coater/developer, as shown and described.

(71) Applicant: **Brewer Science Inc.**, Rolla, MO (US)

DESCRIPTION

(72) Inventors: **Jim Strothmann**, Rolla, MO (US);
Roger A. Ruesing, Rolla, MO (US);
Brandon Wilson, Rolla, MO (US);
Kirk Emory, Rolla, MO (US)

FIG. 1 is a front perspective view of a spin coater/developer embodying our design;

FIG. 2 is a rear perspective view of the spin coater/developer shown in FIG. 1;

(73) Assignee: **Brewer Science Inc.**, Rolla, MO (US)

FIG. 3 is a top view of the spin coater/developer shown in FIGS. 1 and 2;

(**) Term: **14 Years**

FIG. 4 is a front elevation view of the spin coater/developer depicted in FIGS. 1-3;

(21) Appl. No.: **29/491,491**

FIG. 5 is a side elevation view of the spin water/developer depicted in FIGS. 1-4;

(22) Filed: **May 21, 2014**

FIG. 6 is a rear elevation view of the spin coater/developer depicted in FIGS. 1-5;

(51) **LOC (10) Cl.** **15-09**

FIG. 7 is a side elevation view of the spin water/developer opposite that shown in FIG. 5;

(52) **U.S. Cl.**

USPC **D15/122**

FIG. 8 is a front perspective view of a spin coater/developer embodying our design, with all but the front portion of the cabinet being shown in broken lines, such that the remaining portion of the cabinet and a number of other features of the cabinet are shown for illustrative purposes only and form no part of the claimed design;

(58) **Field of Classification Search**

USPC D15/122, 144, 144.1, 144.2

See application file for complete search history.

FIG. 9 is a rear perspective view of the spin coater/developer shown in FIG. 8;

(56) **References Cited**

U.S. PATENT DOCUMENTS

4,244,318	A *	1/1981	Chen	118/52
4,895,102	A *	1/1990	Kachel et al.	118/620
D621,426	S *	8/2010	Fusejima et al.	D15/122
8,091,504	B2 *	1/2012	Hsieh et al.	118/319
D654,935	S *	2/2012	Kishimura et al.	D15/122
D655,323	S *	3/2012	Brockhage	D15/145
8,211,234	B2 *	7/2012	Rosenblatt	118/730
D685,825	S *	7/2013	Hoelbl	D15/122

(Continued)

FIG. 10 is a top view of the spin coater/developer shown in FIGS. 8 and 9;

FIG. 11 is a front elevation view of the spin cooler/developer depicted in FIGS. 8-10;

FIG. 12 is a side elevation view of the spin coater/developer depicted in FIGS. 8-11; and,

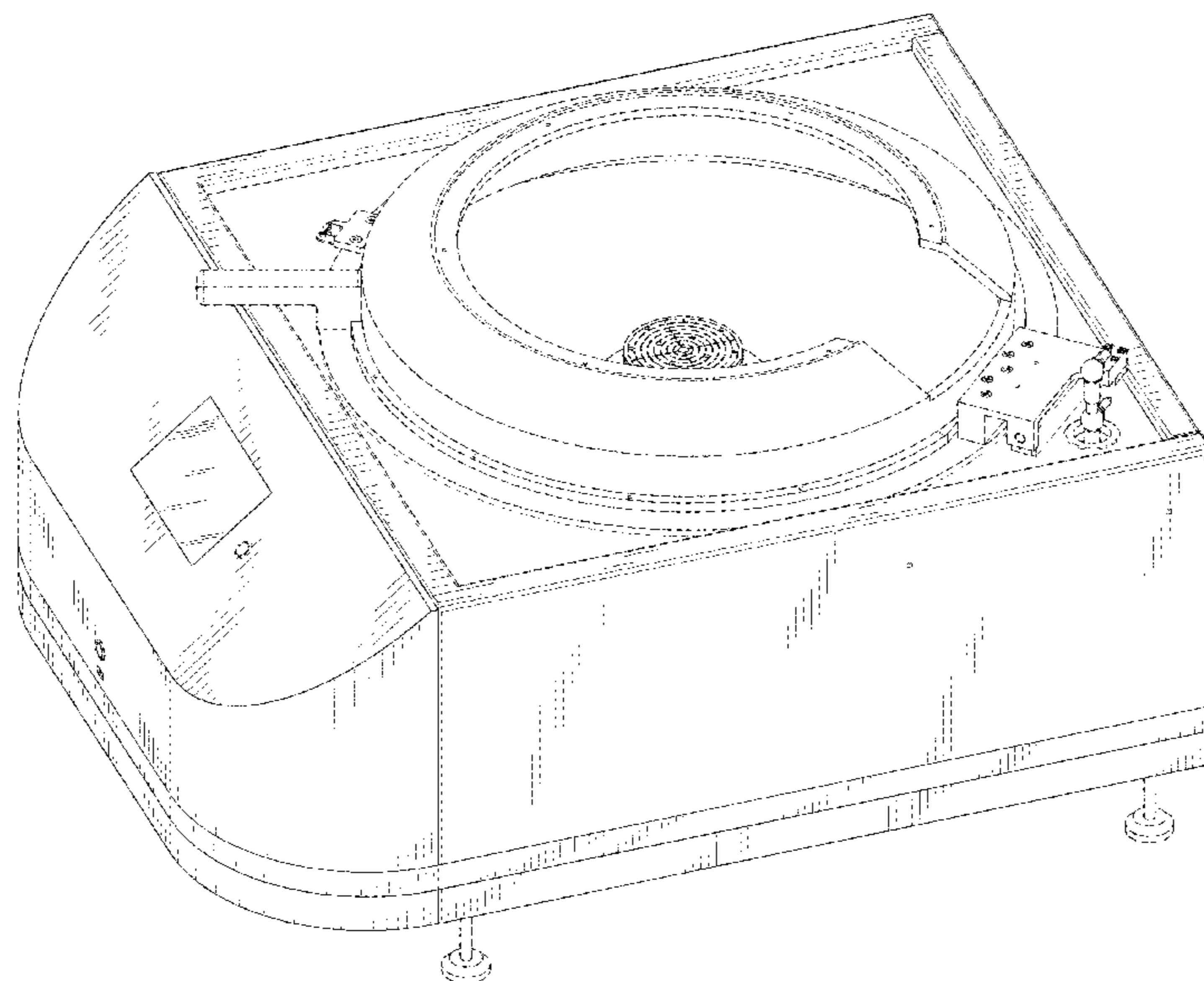
FIG. 13 is a side elevation view of the spin coater/developer opposite that shown in FIG. 12.

The broken lines are directed to environment and/or are for illustrative purposes only. None of the broken lines form part of the claimed design.

Primary Examiner — Patricia Palasik

(74) *Attorney, Agent, or Firm* — Hovey Williams LLP

1 Claim, 13 Drawing Sheets



(56)

References Cited

U.S. PATENT DOCUMENTS

D694,298 S *	11/2013	Hoelbl	D15/122
8,578,877 B2 *	11/2013	Tajima	118/666
8,640,755 B2 *	2/2014	Canale et al.	156/382
8,671,872 B2 *	3/2014	Pilipauskas et al.	118/13
8,991,681 B2 *	3/2015	Maki et al.	228/180.1

* cited by examiner

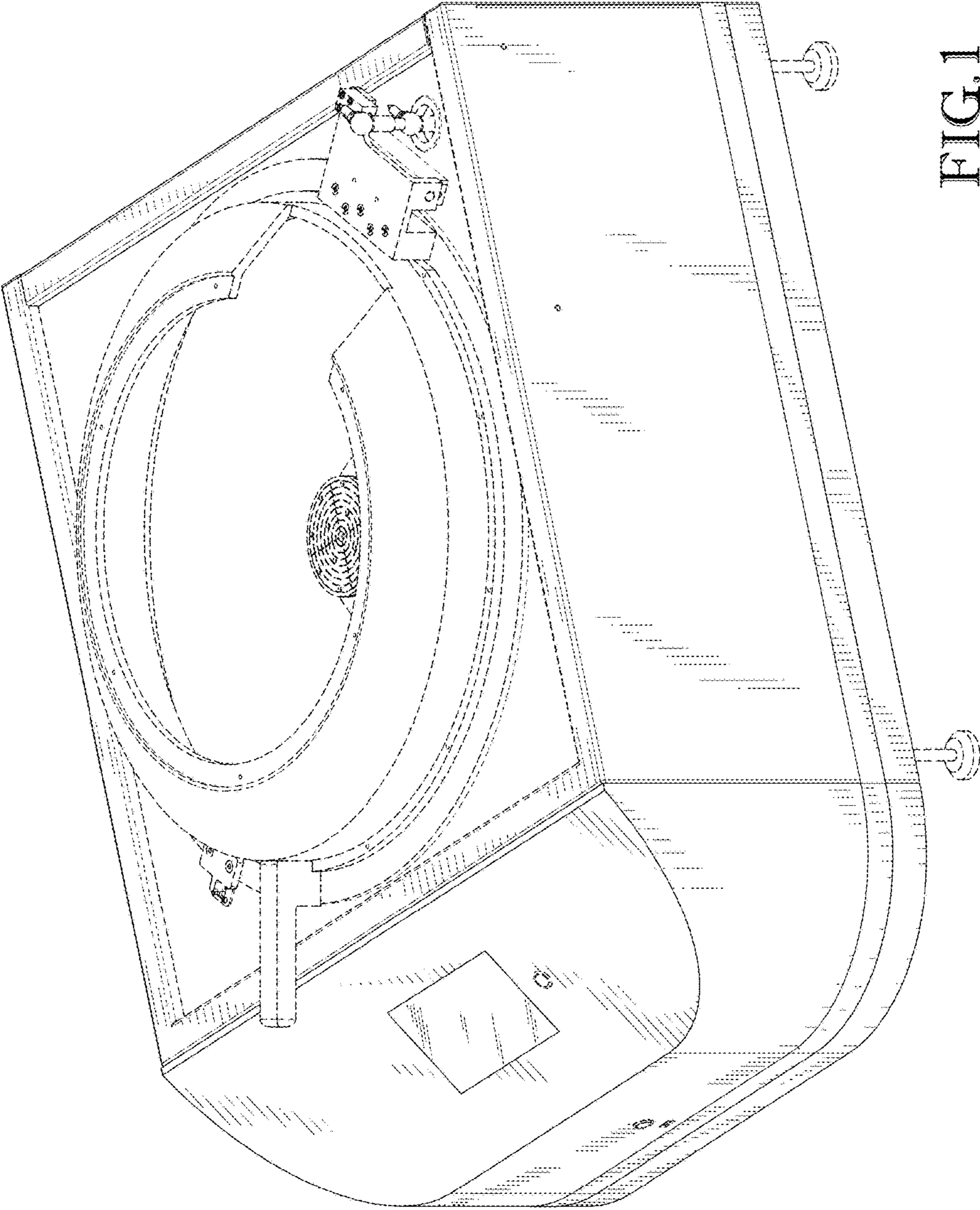


FIG. 1

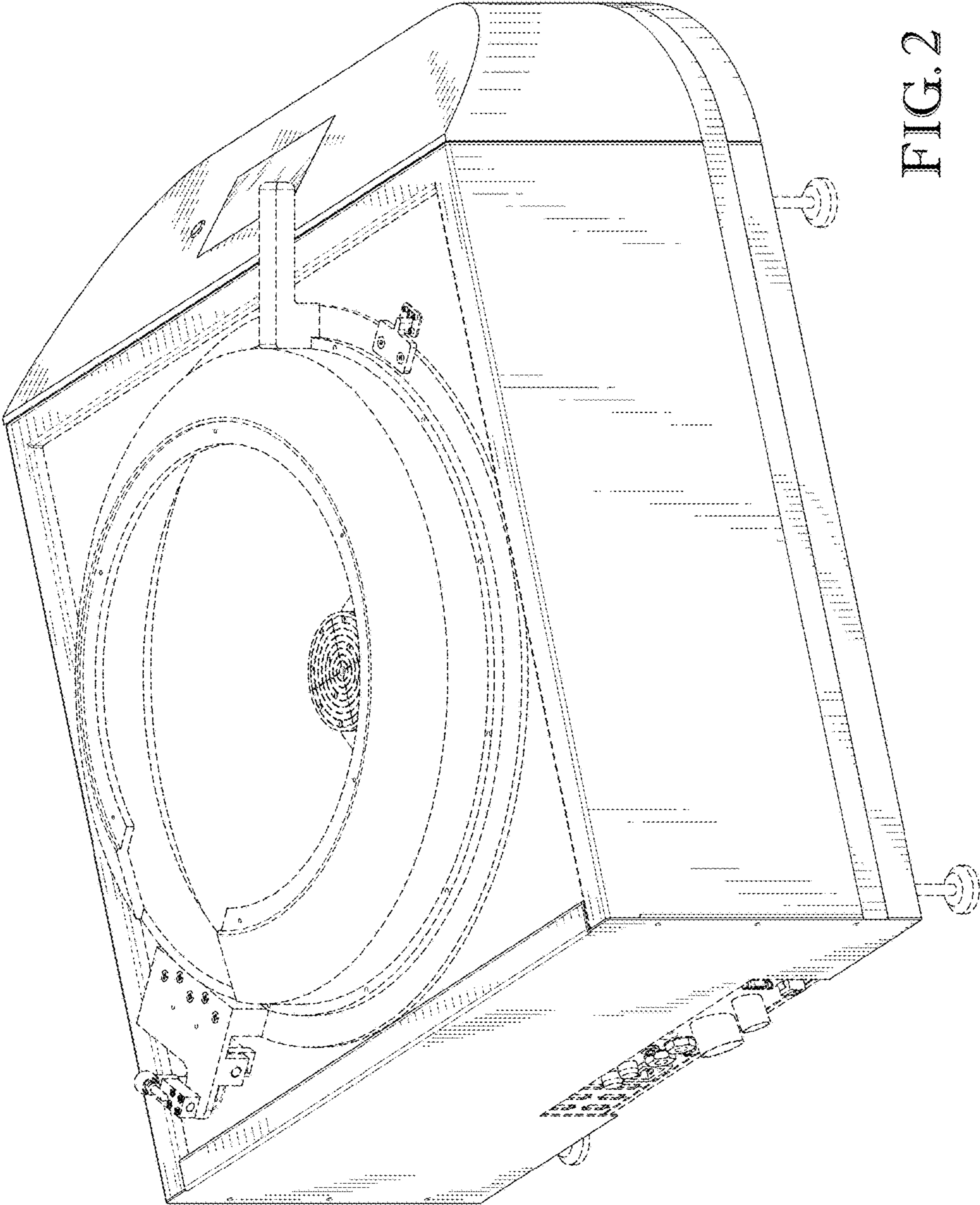


FIG. 2

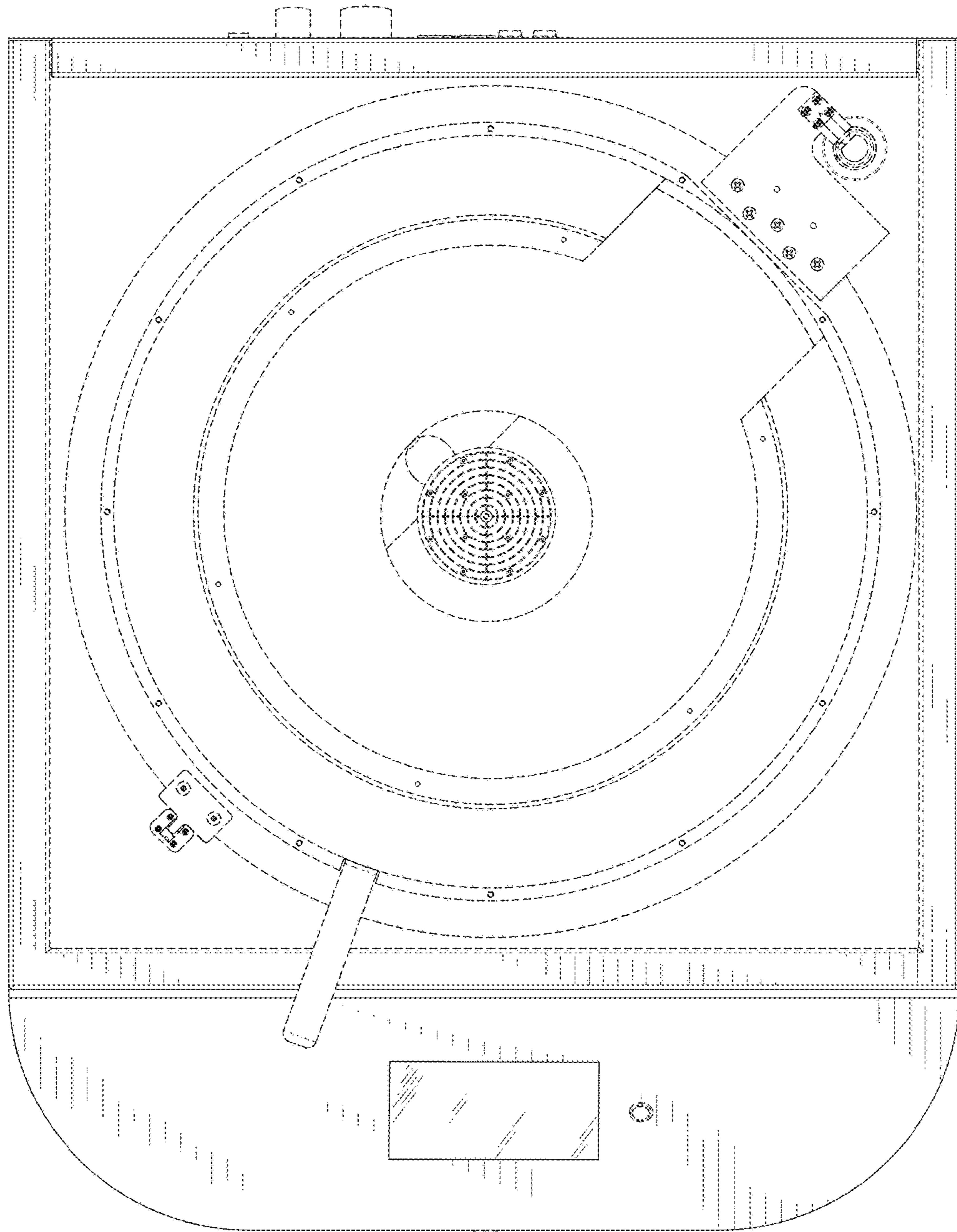


FIG. 3

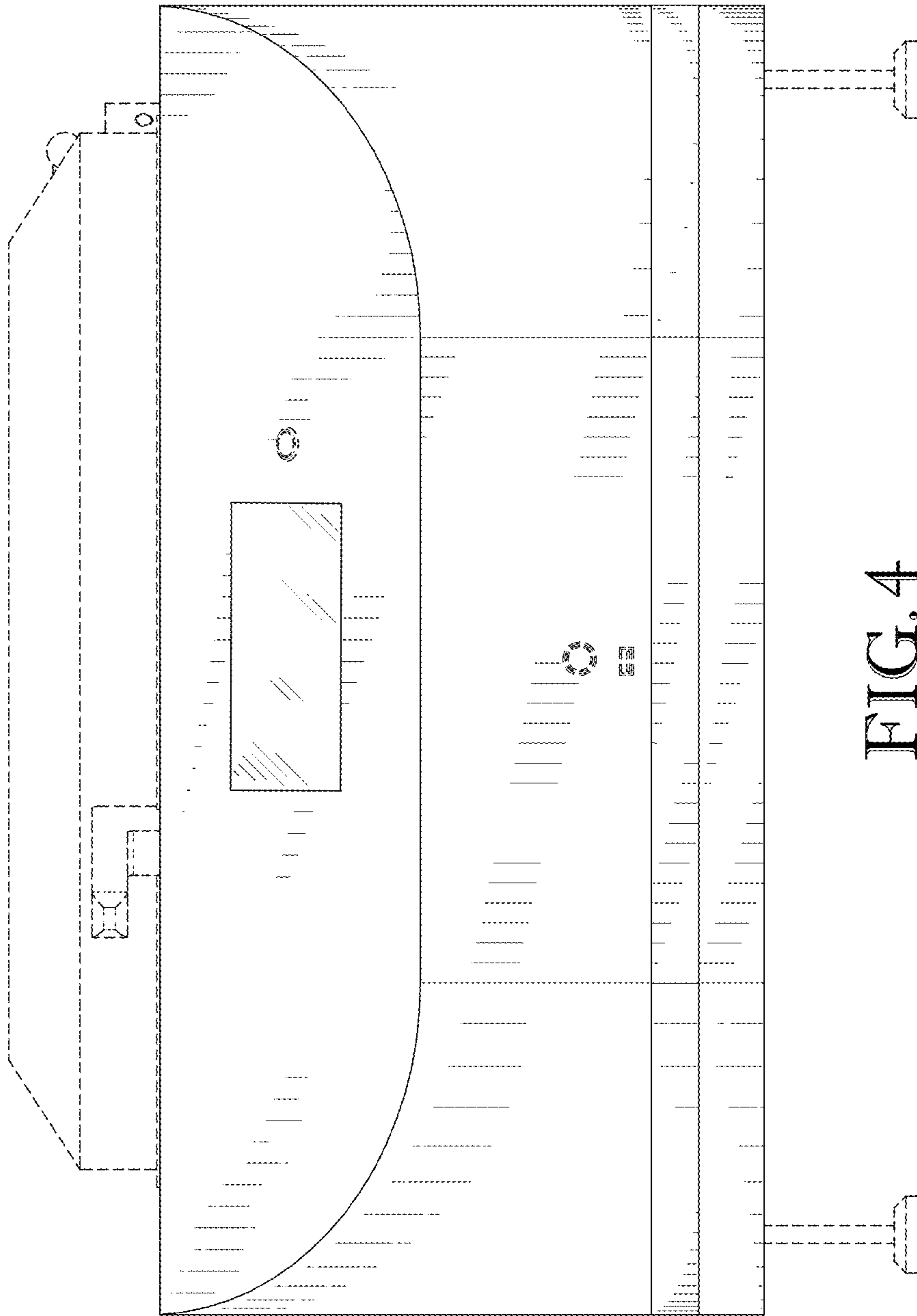


FIG. 4

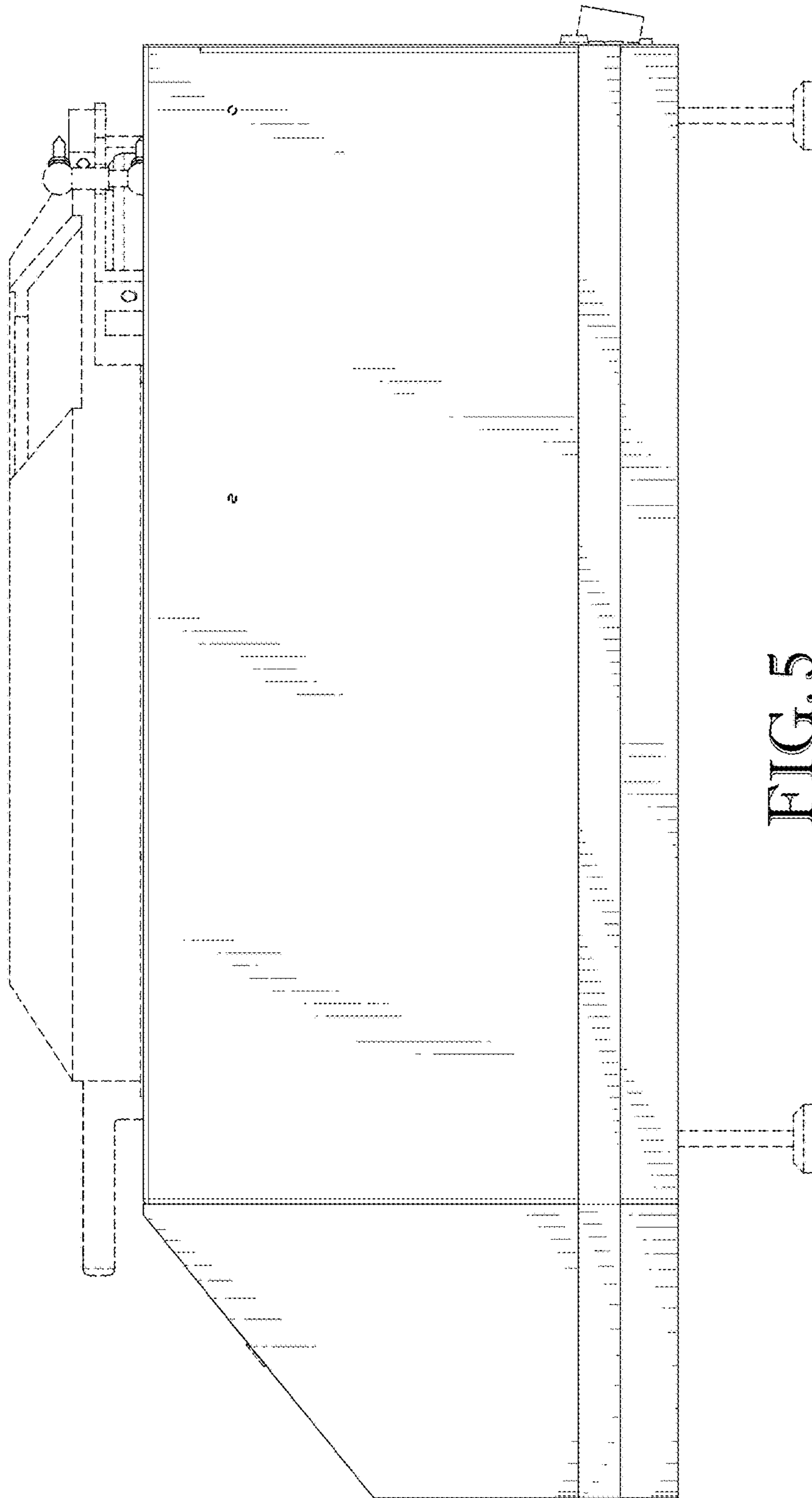


FIG. 5

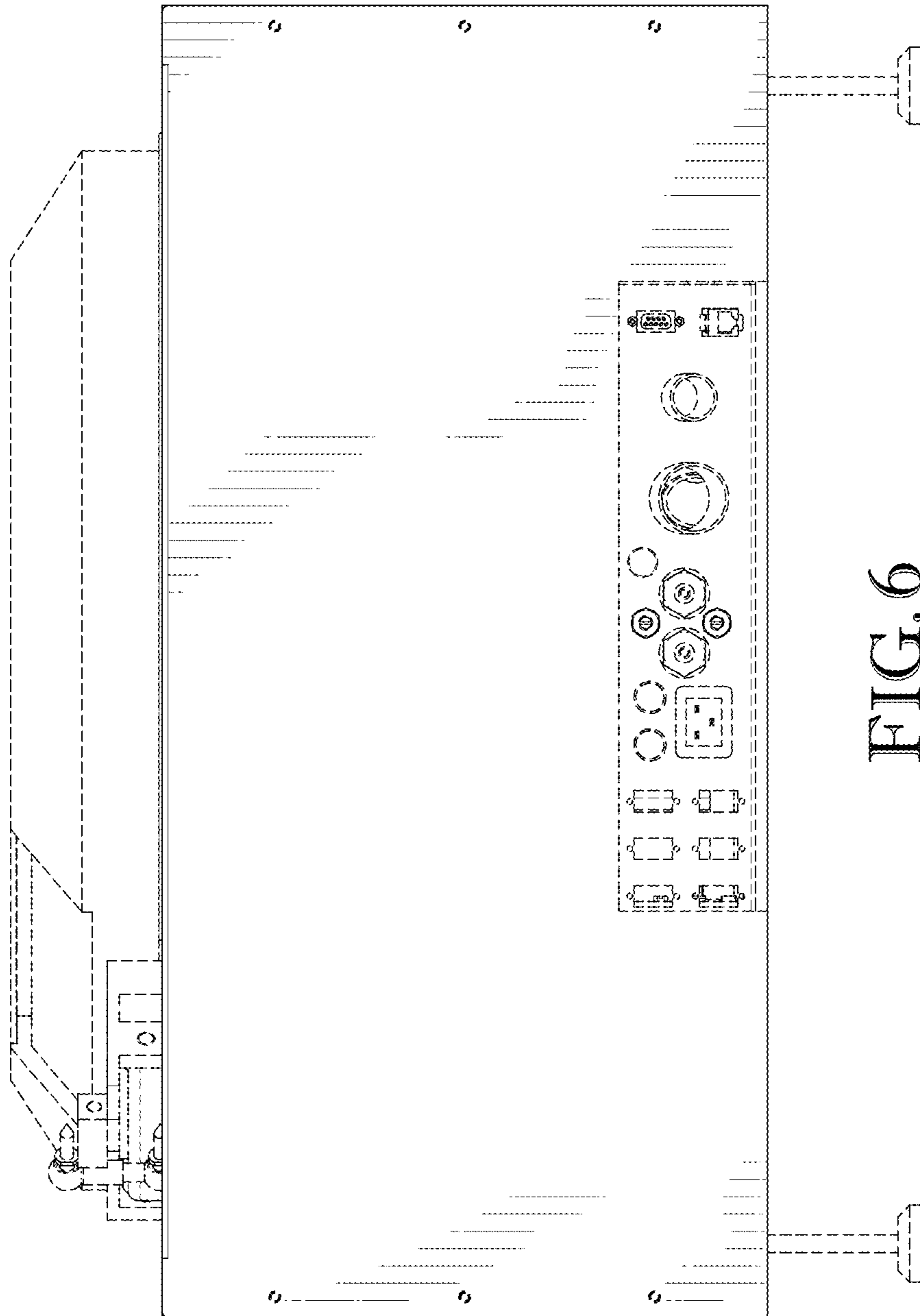
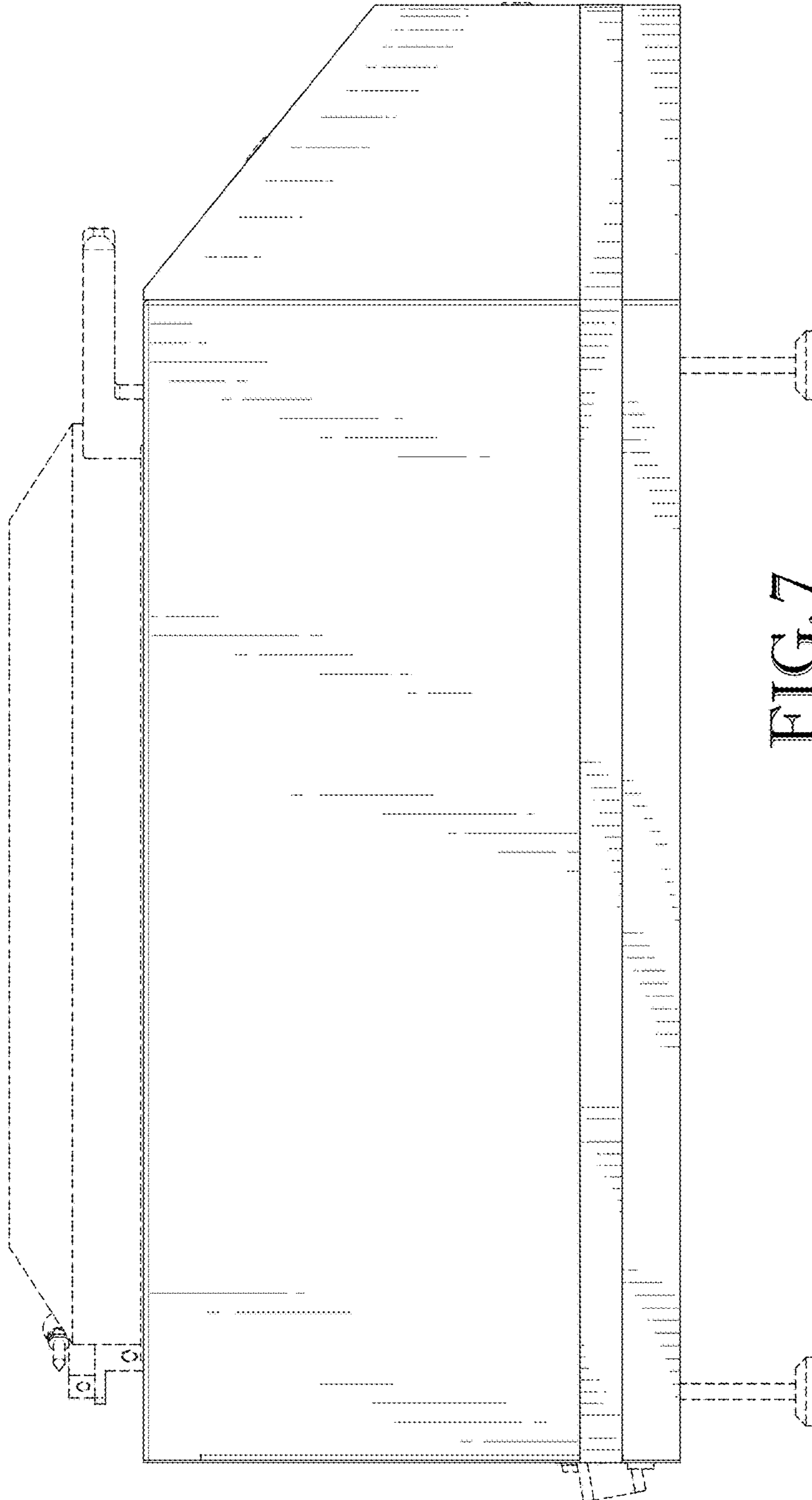


FIG. 6



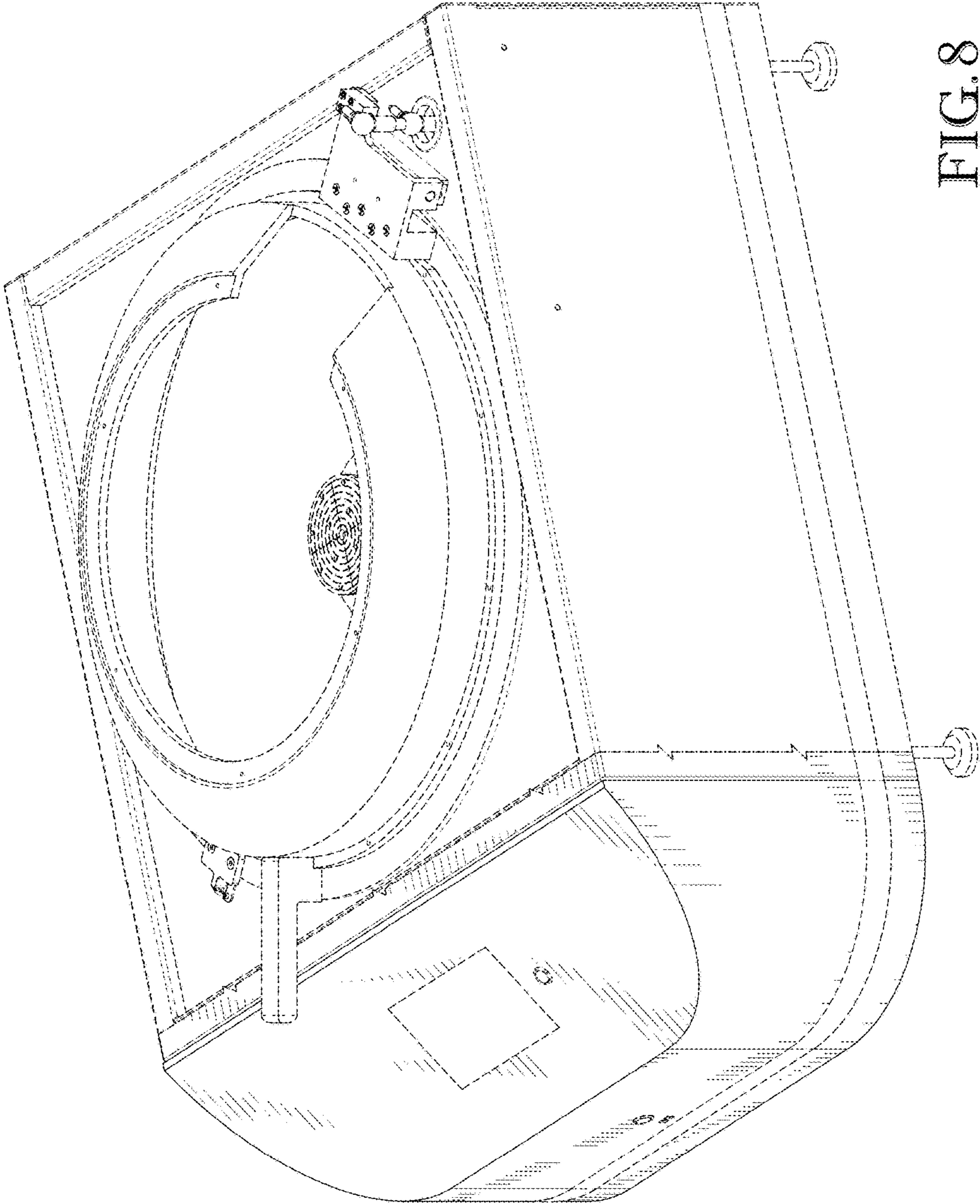


FIG. 8

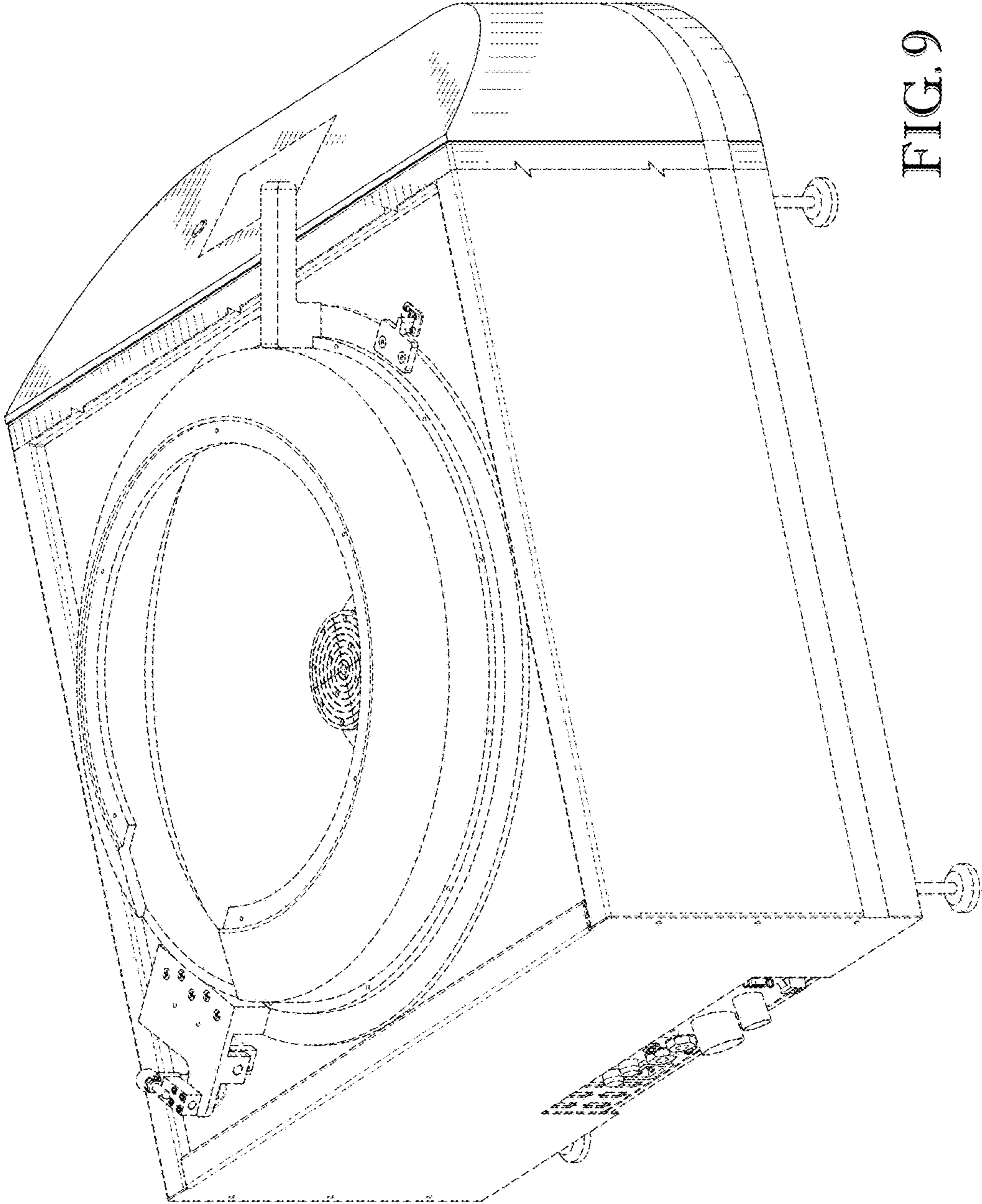


FIG. 9

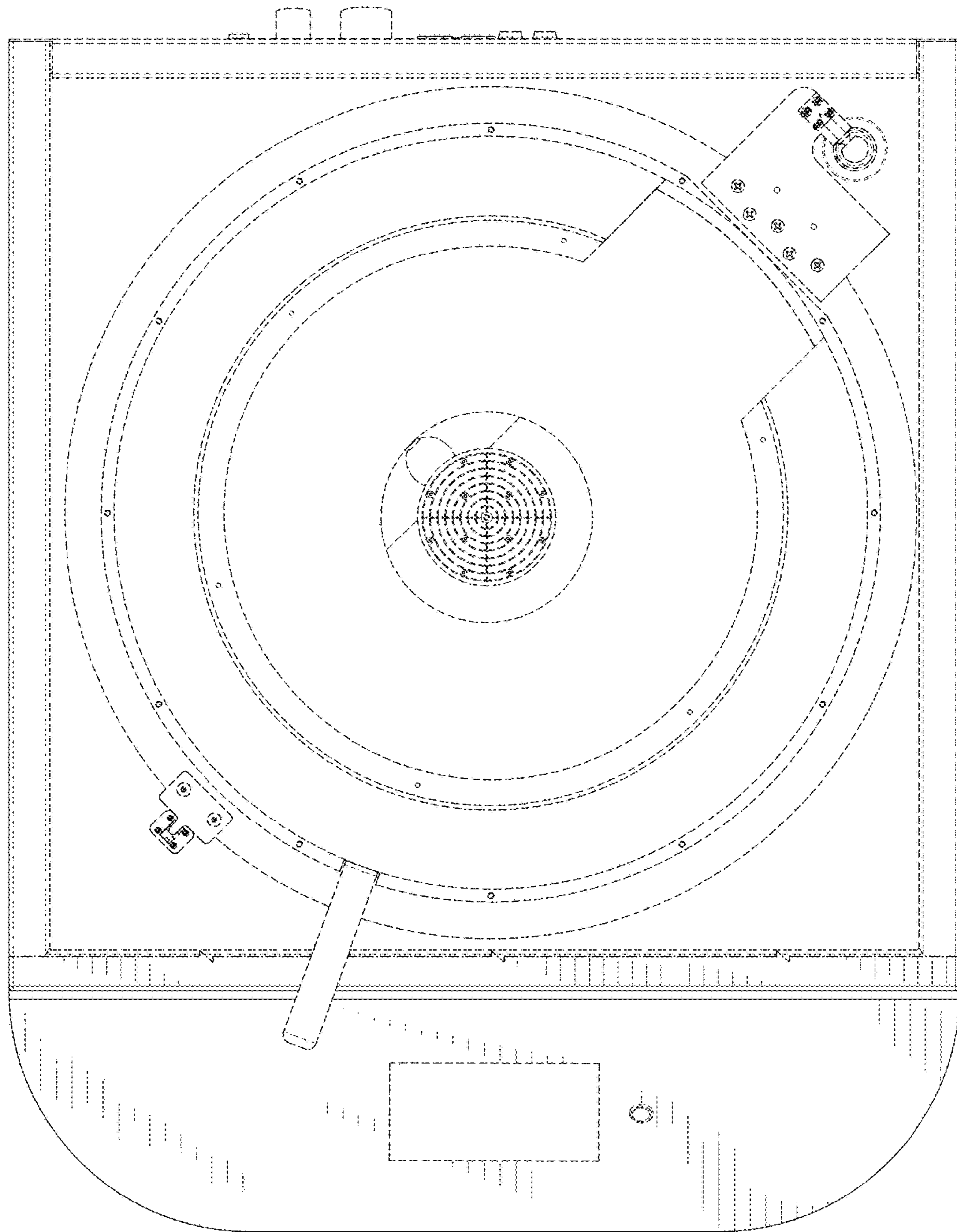


FIG. 10

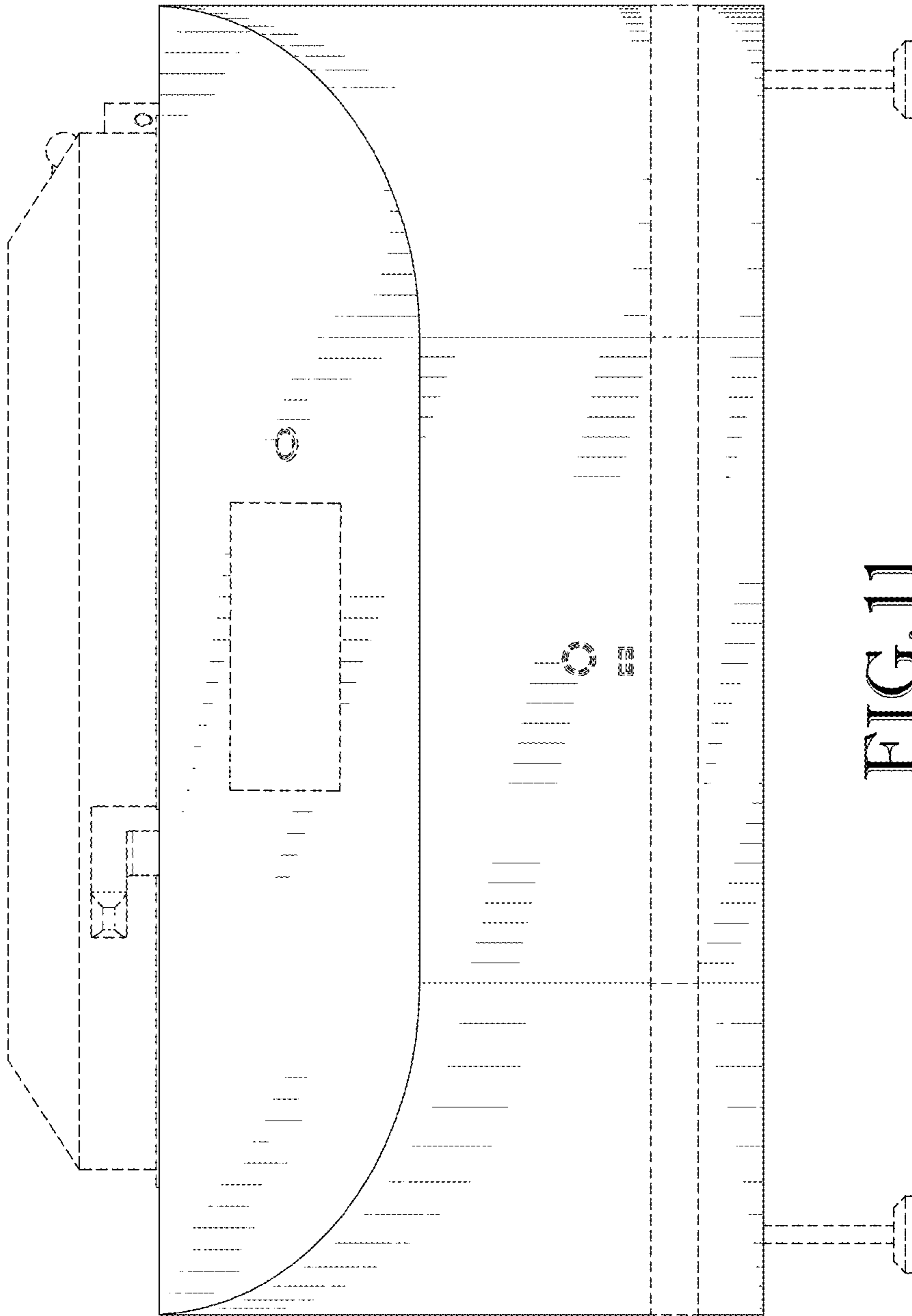


FIG. 11

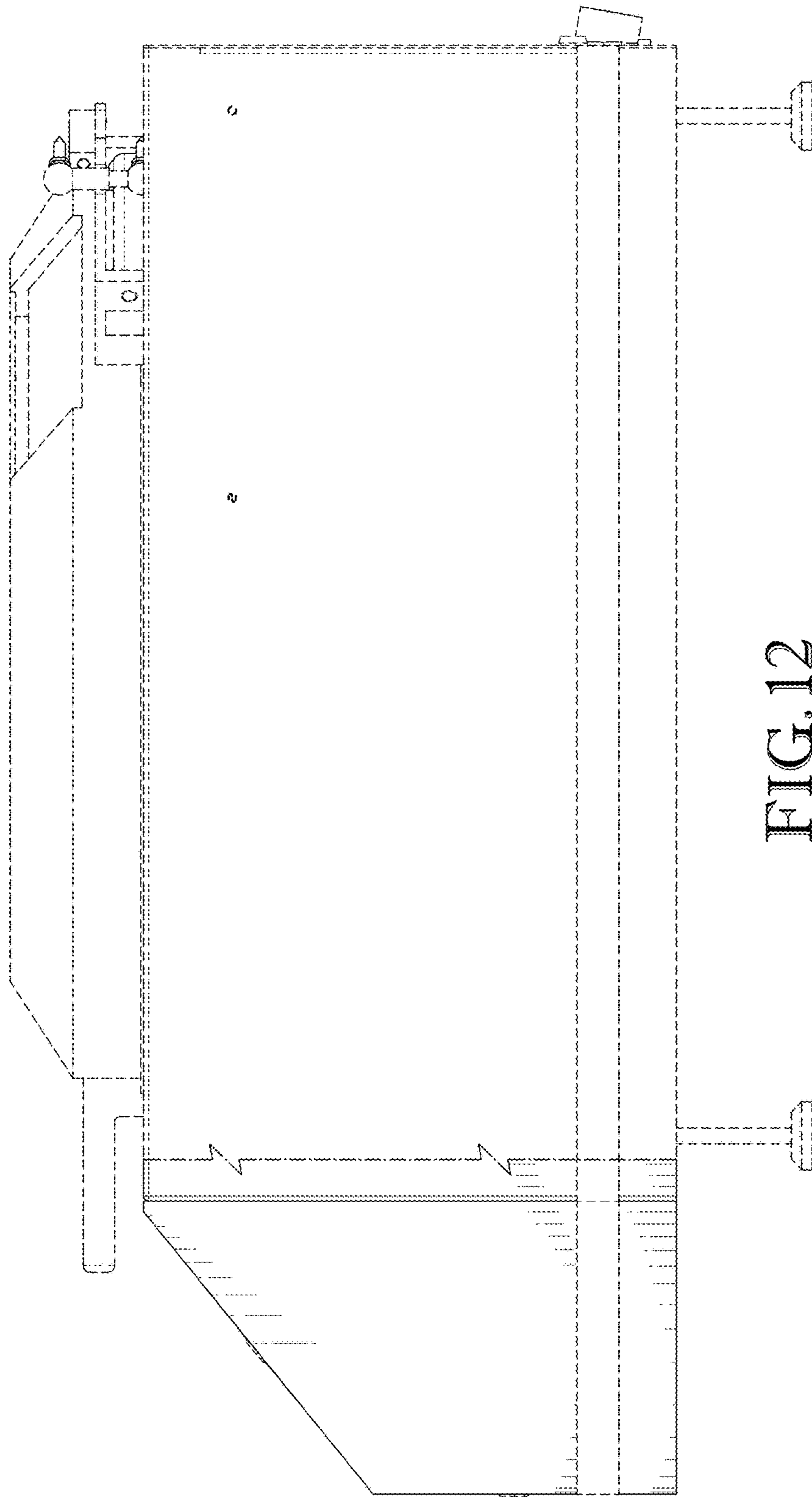


FIG. 12

