



US00D783691S

(12) **United States Design Patent**  
**Kim et al.**

(10) **Patent No.:** **US D783,691 S**

(45) **Date of Patent:** **\*\* Apr. 11, 2017**

(54) **REFRIGERATOR DOOR**

2317/0664; F25D 2321/147; F25D  
2323/02; F25D 2323/023

(71) Applicant: **Samsung Electronics Co., Ltd.**,  
Suwon-si (KR)

See application file for complete search history.

(72) Inventors: **Byeongsoo Kim**, Seoul (KR); **Selim Yoon**, Seongnam-si (KR); **Hyunil Lee**, Seoul (KR); **Sangwoon Jeon**, Seoul (KR)

(56) **References Cited**

U.S. PATENT DOCUMENTS

(73) Assignee: **SAMSUNG ELECTRONICS CO., LTD.**, Suwon-si (KR)

D730,958 S *	6/2015	Choi	.....	D15/91
D738,941 S *	9/2015	Shin	.....	D15/91
D760,820 S *	7/2016	Lee	.....	D15/91
D760,823 S *	7/2016	Lee	.....	D15/91
D761,336 S *	7/2016	Lee	.....	D15/91
D768,738 S *	10/2016	Lee	.....	D15/91
D768,739 S *	10/2016	Lee	.....	D15/91
D769,948 S *	10/2016	Lee	.....	D15/91
D771,160 S *	11/2016	Park	.....	D15/91

(\*\*) Term: **15 Years**

\* cited by examiner

(21) Appl. No.: **29/554,615**

*Primary Examiner* — Ian Simmons

(22) Filed: **Feb. 12, 2016**

*Assistant Examiner* — Khawaja Anwar

(30) **Foreign Application Priority Data**

(74) *Attorney, Agent, or Firm* — McAndrews Held & Malloy, Ltd.

Aug. 28, 2015 (KR) ..... 30-2015-0043528

(51) **LOC (10) Cl.** ..... **15-07**

(57) **CLAIM**

(52) **U.S. Cl.**

The ornamental design for a refrigerator door, as shown and described.

USPC ..... **D15/91**

(58) **Field of Classification Search**

USPC ..... D15/79-91

CPC ..... F25D 25/025; F25D 23/028; F25D

2323/024; F25D 23/00; F25D 23/02;

F25D 2323/021; F25D 23/065; F25D

11/00; F25D 2201/14; F25D 23/021;

F25D 23/025; F25D 23/04; F25D 27/00;

F25D 23/062; F25D 23/067; F25D

2400/18; F25D 23/08; F25D 23/085;

F25D 2500/02; F25D 25/00; F25D

25/005; F25D 25/022; F25D 25/024;

F25D 17/047; F25D 2317/041; F25D

2317/04131; F25D 2317/043; F25D

**DESCRIPTION**

FIG. 1 is a top perspective view of a refrigerator door showing our new design;

FIG. 2 is a front elevation view thereof;

FIG. 3 is a rear elevation view thereof;

FIG. 4 is a left-side elevation view thereof;

FIG. 5 is a right-side elevation view thereof;

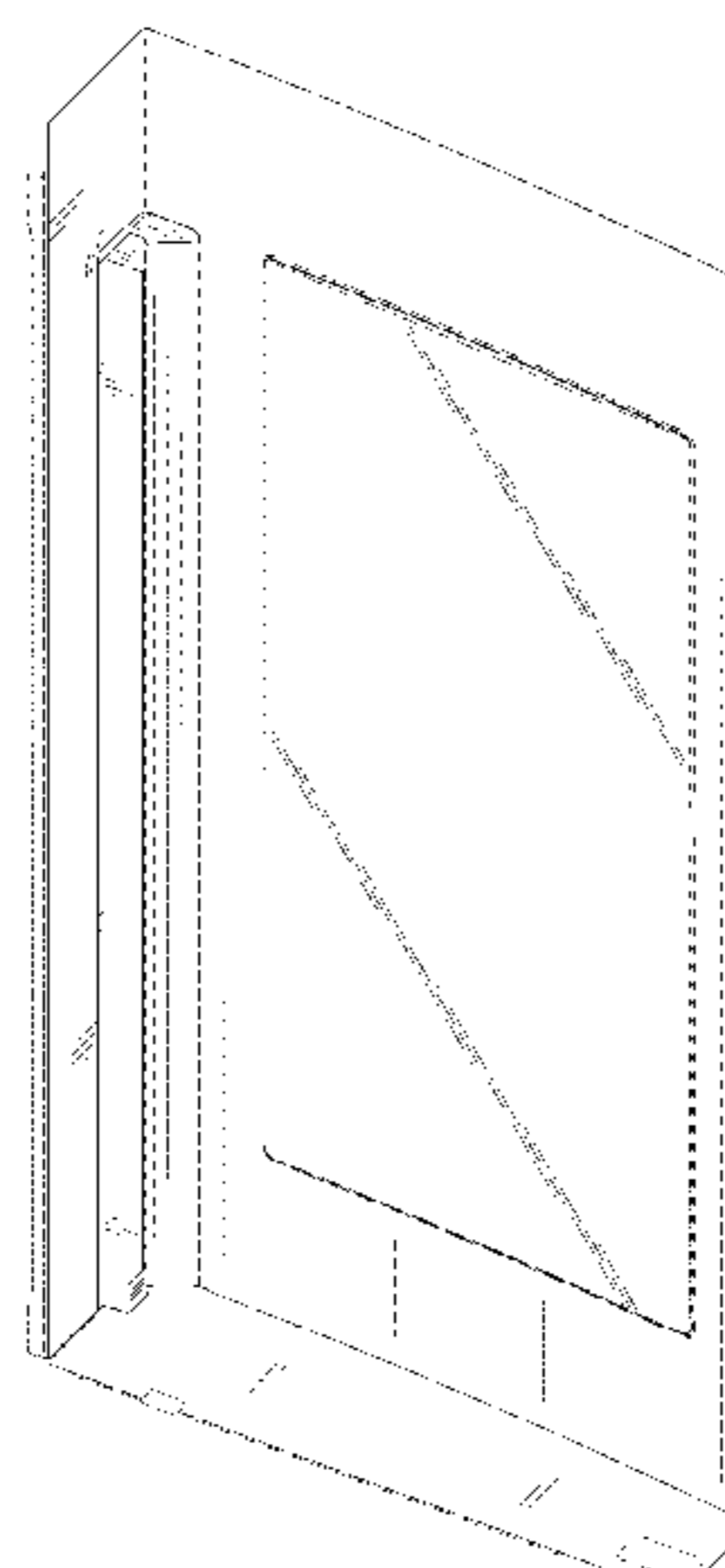
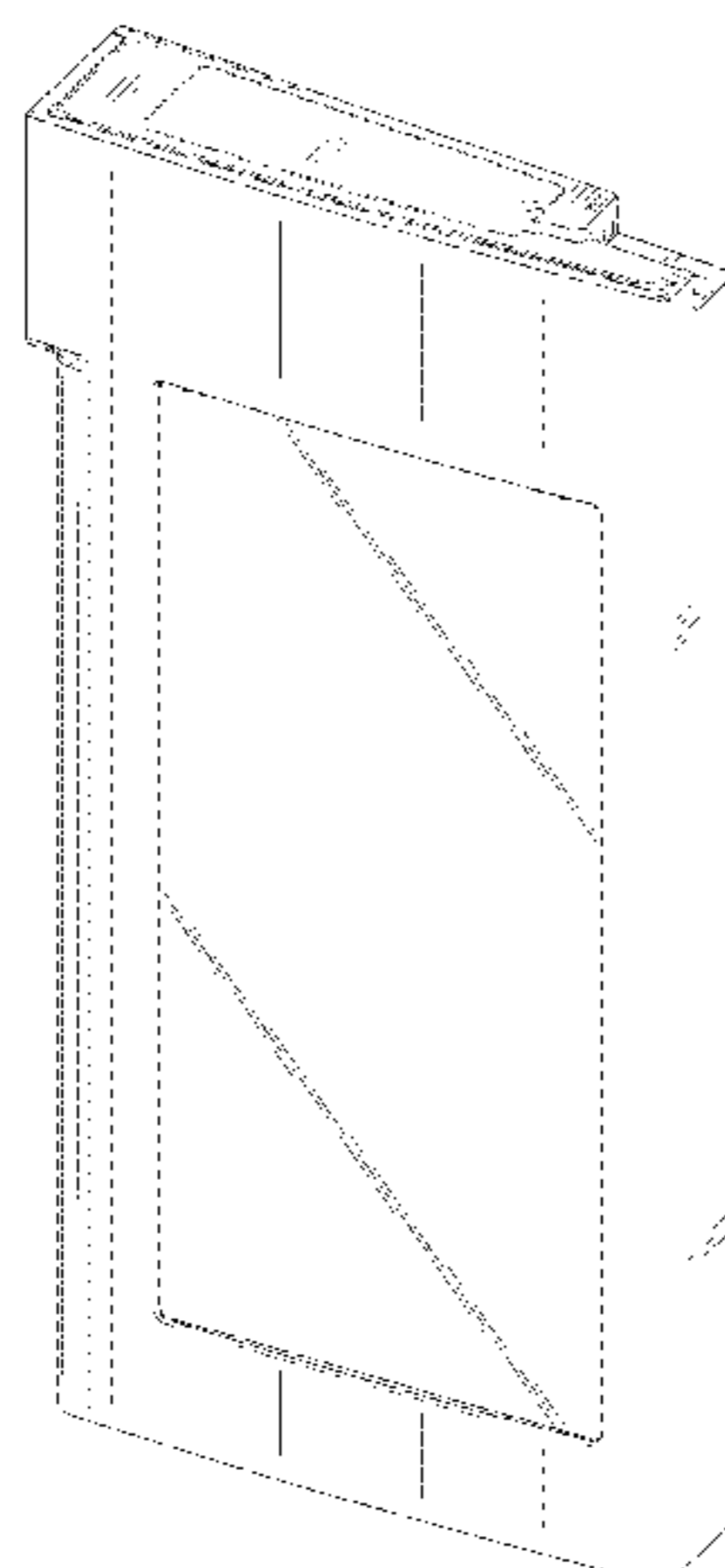
FIG. 6 is a top plan view thereof;

FIG. 7 is a bottom plan view thereof;

FIG. 8 is a bottom perspective view thereof; and,

FIG. 9 is a top perspective view thereof, with additional unclaimed environment.

(Continued)



The broken lines in the figures depict environment and portions of the refrigerator door that form no part of the claimed design.

**1 Claim, 9 Drawing Sheets**

FIG. 1

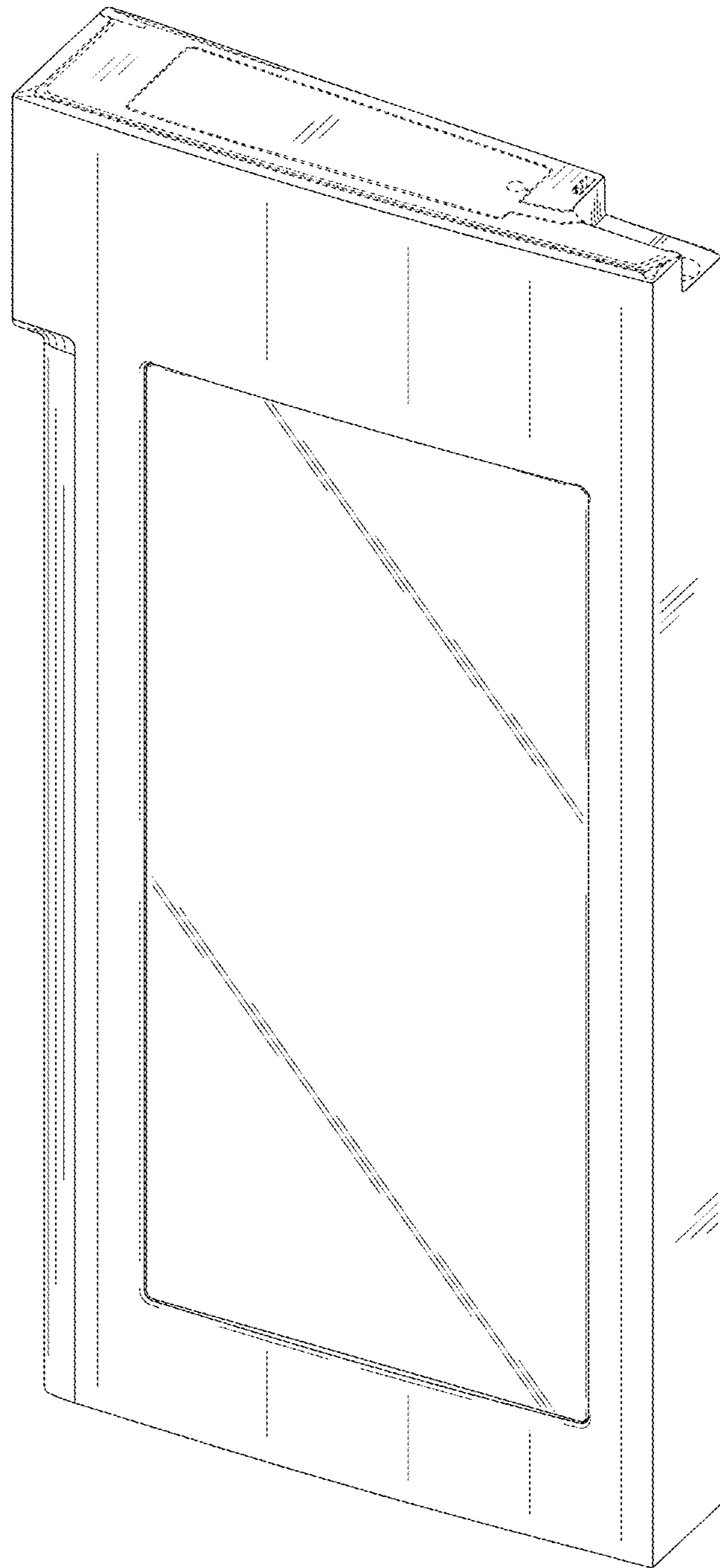


FIG. 2

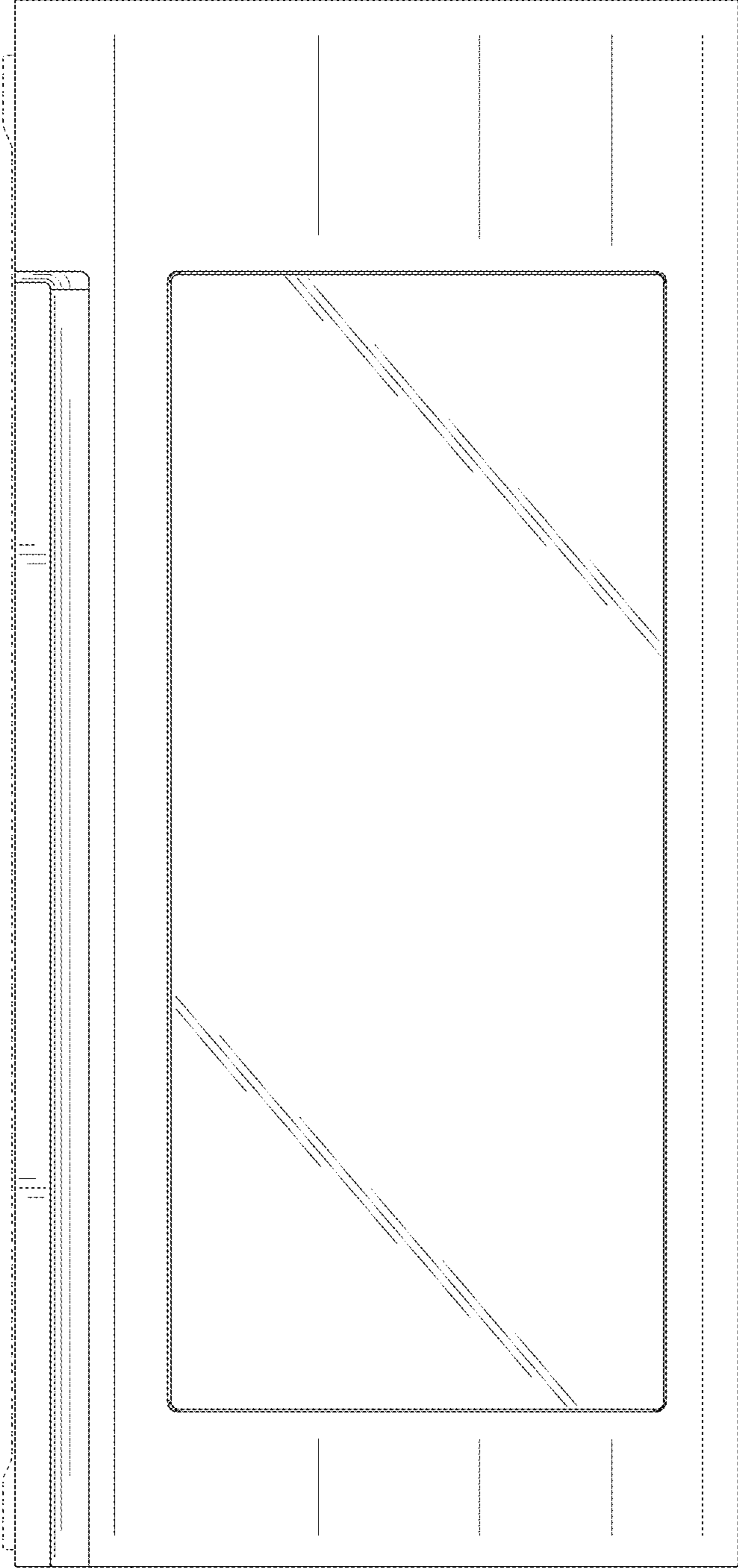


FIG. 3

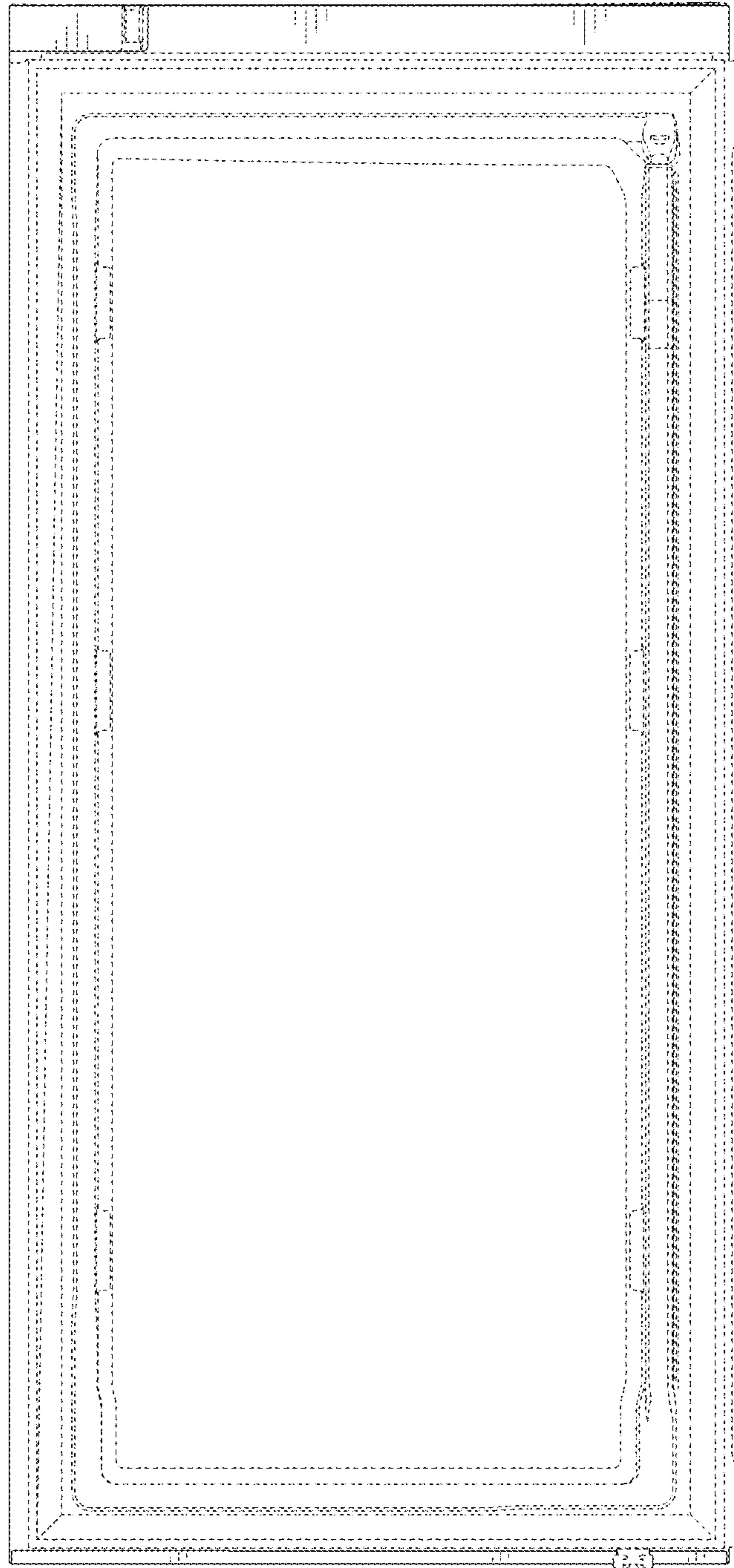


FIG. 4

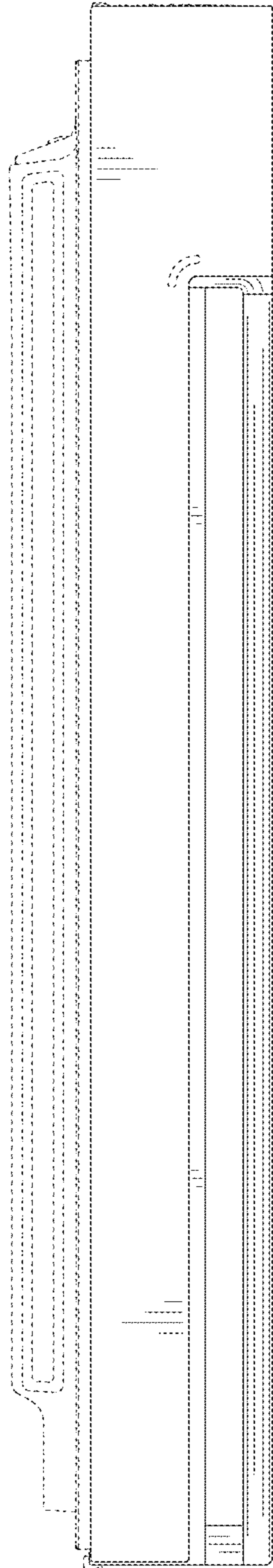


FIG. 5

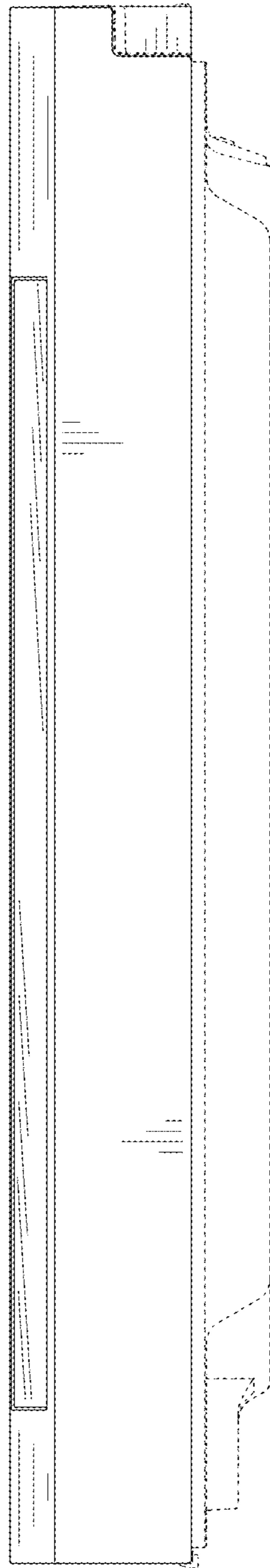


FIG. 6

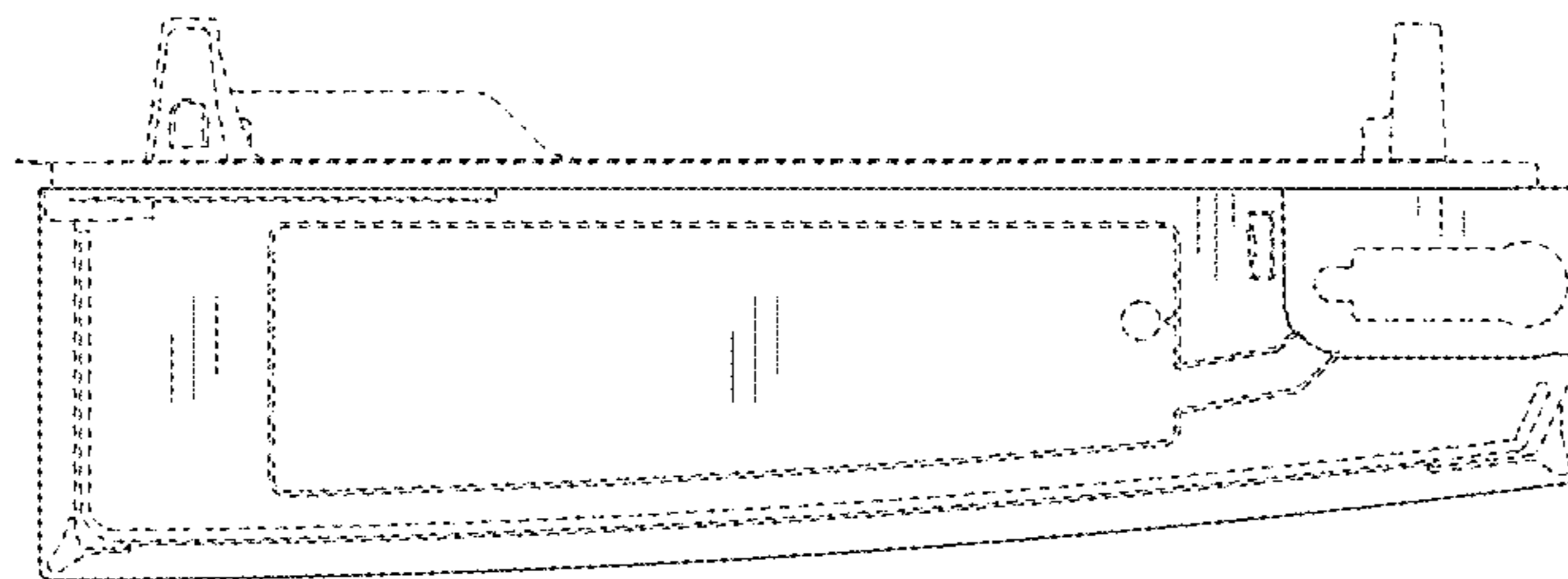




FIG. 7

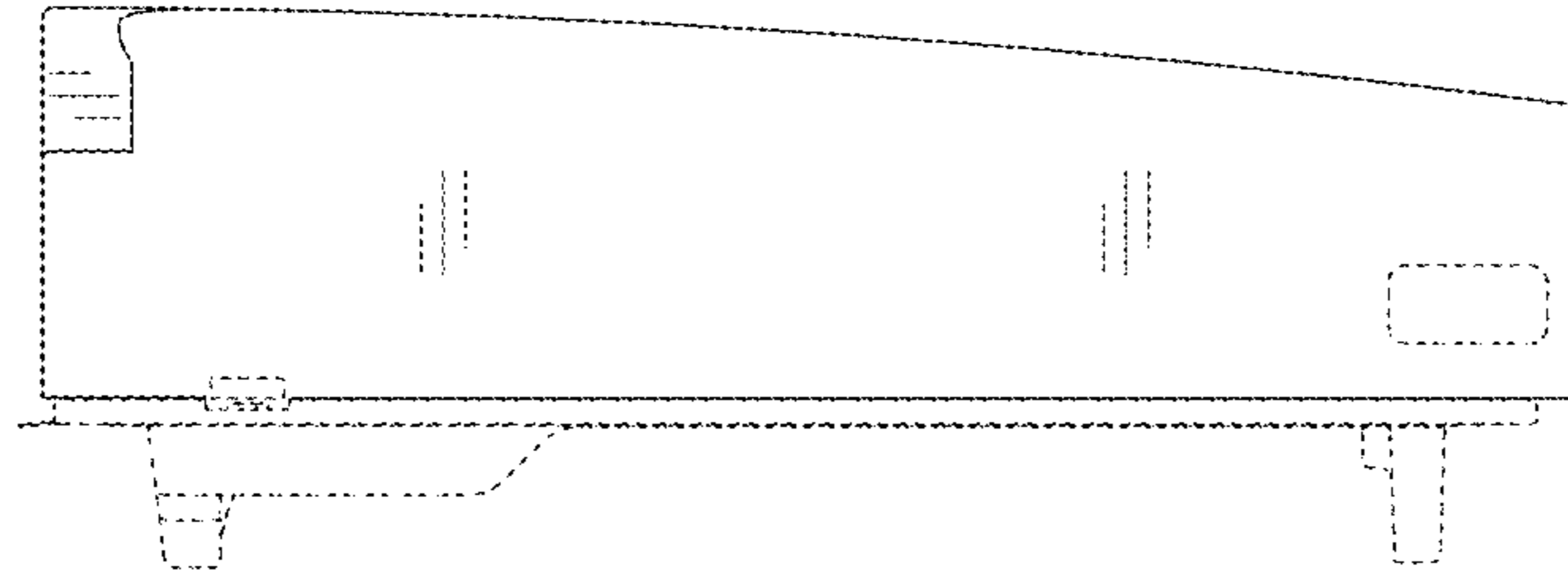


FIG. 8

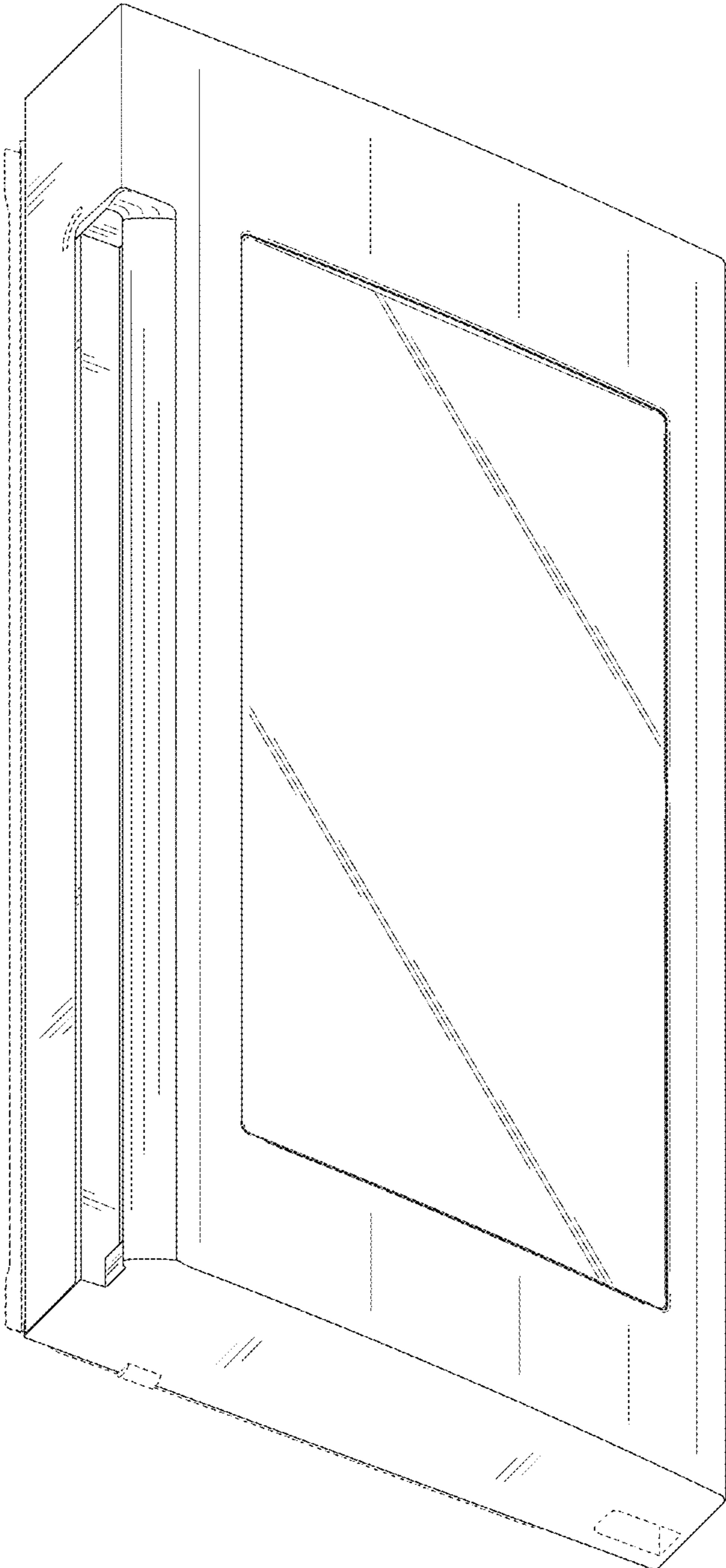


FIG. 9

