



US00D783690S

(12) **United States Design Patent** (10) **Patent No.:** **US D783,690 S**
Lee et al. (45) **Date of Patent:** **** Apr. 11, 2017**

(54) **REFRIGERATOR**

(71) Applicant: **Samsung Electronics Co., Ltd.**,
Suwon-si (KR)

(72) Inventors: **Sanghoon Lee**, Seoul (KR); **Kisoo Kim**,
Gunpo-si (KR)

(73) Assignee: **SAMSUNG ELECTRONICS CO., LTD.**,
Suwon-si, Gyeonggi-Do (KR)

(**) Term: **15 Years**

(21) Appl. No.: **29/544,748**

(22) Filed: **Nov. 5, 2015**

(30) **Foreign Application Priority Data**

Sep. 16, 2015 (KR) 30-2015-0047089

(51) **LOC (10) Cl.** **15-07**

(52) **U.S. Cl.**
USPC **D15/91**

(58) **Field of Classification Search**
USPC D15/79-91
CPC F25D 25/025; F25D 23/028; F25D 25/02;
F25D 23/04; F25D 23/067; F25D 23/02;
F25D 23/025; F25D 2323/024; F25D
23/00; F25D 25/024; F25D 11/00; F25D
2323/021; F25D 23/065; F25D 23/069;
F25D 2201/14; F25D 2323/023; F25D
25/022; F25D 25/04; F25D 29/005; F25D
17/047; F25D 17/065; F25D 2303/085;
F25D 2317/041; F25D 2317/04131; F25D
2317/043; F25D 2317/062; F25D
2317/0664; F25D 2317/067; F25D
2321/147; F25D 2323/02; F25D
2323/122; F25D 23/126; F25D 31/002;
F25D 2317/061; F25D 23/12; F25D
2400/06; F25D 11/02; F25D 2700/12;
F25D 17/042; F25D 17/062; F25D
2317/063

See application file for complete search history.

(56) **References Cited**

U.S. PATENT DOCUMENTS

D716,350 S * 10/2014 Choi D15/91
D718,352 S * 11/2014 Lee D15/91
D730,958 S * 6/2015 Choi D15/91
D760,819 S * 7/2016 Lee D15/86
D760,820 S * 7/2016 Lee D15/91
D760,821 S * 7/2016 Lee D15/91

(Continued)

FOREIGN PATENT DOCUMENTS

KR 3020150019191 4/2015

OTHER PUBLICATIONS

U.S. Appl. No. 29/541,844 dated Oct. 8, 2015 (Unpublished Patent Design Application).

Primary Examiner — Daniel Bui

Assistant Examiner — Khawaja Anwar

(74) *Attorney, Agent, or Firm* — Cantor Colburn LLP

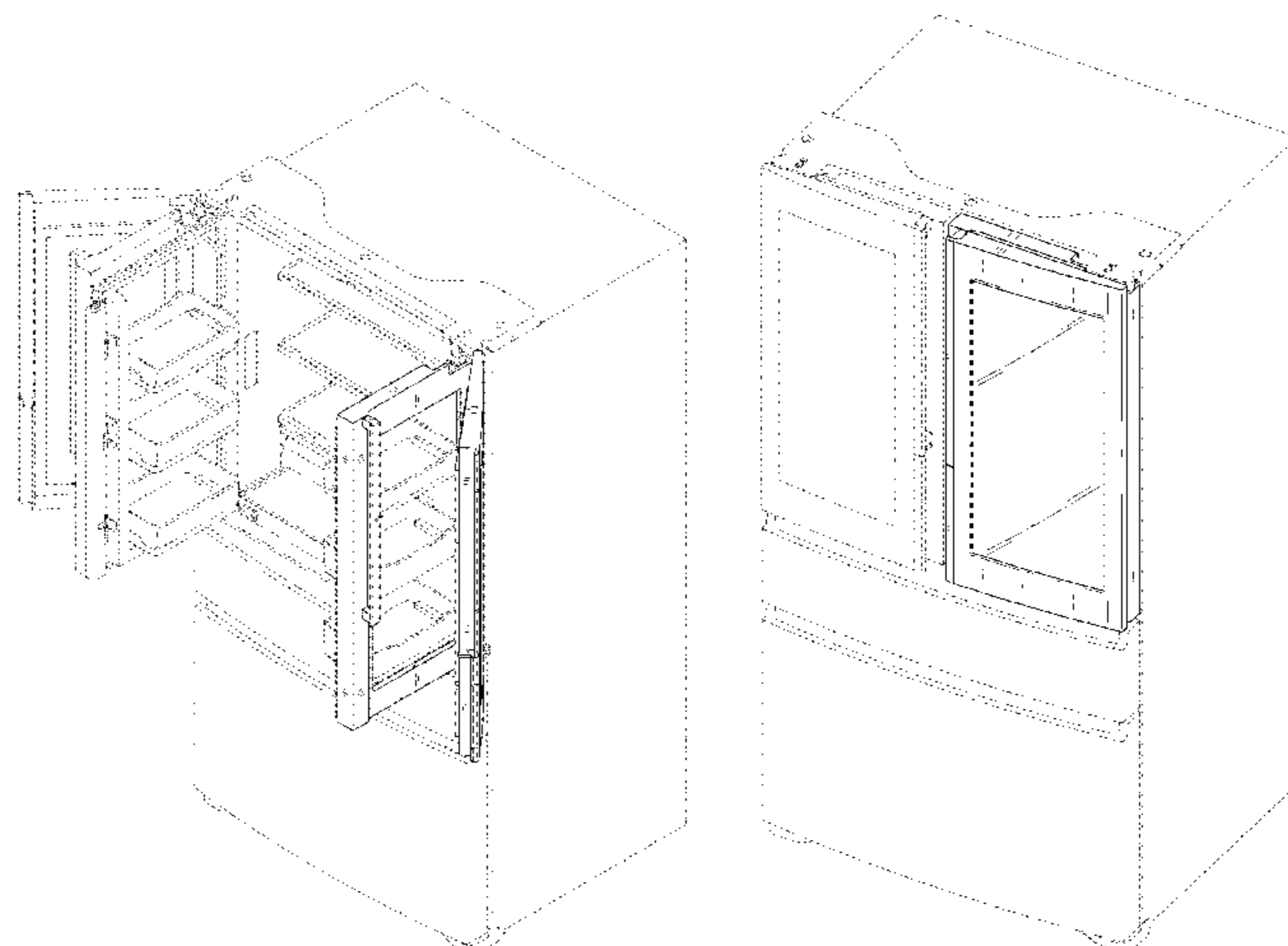
(57) **CLAIM**

The ornamental design for a refrigerator, as shown and described.

DESCRIPTION

FIG. 1 is a perspective view of a refrigerator, showing our new design;
FIG. 2 is a front view thereof;
FIG. 3 is a rear view thereof;
FIG. 4 is a side view thereof;
FIG. 5 is another side view thereof;
FIG. 6 is a top view thereof;
FIG. 7 is a bottom view thereof; and,
FIG. 8 is another perspective view thereof as shown with closed doors.
The broken lines illustrating portions of the refrigerator form no part of the claimed design.

1 Claim, 8 Drawing Sheets



(56)

References Cited

U.S. PATENT DOCUMENTS

D760,822 S *	7/2016	Lee	D15/91
D760,823 S *	7/2016	Lee	D15/91
D760,824 S *	7/2016	Lee	D15/91
D761,333 S *	7/2016	Lee	D15/86
D761,334 S *	7/2016	Lee	D15/86
D761,336 S *	7/2016	Lee	D15/91

* cited by examiner

FIG. 1

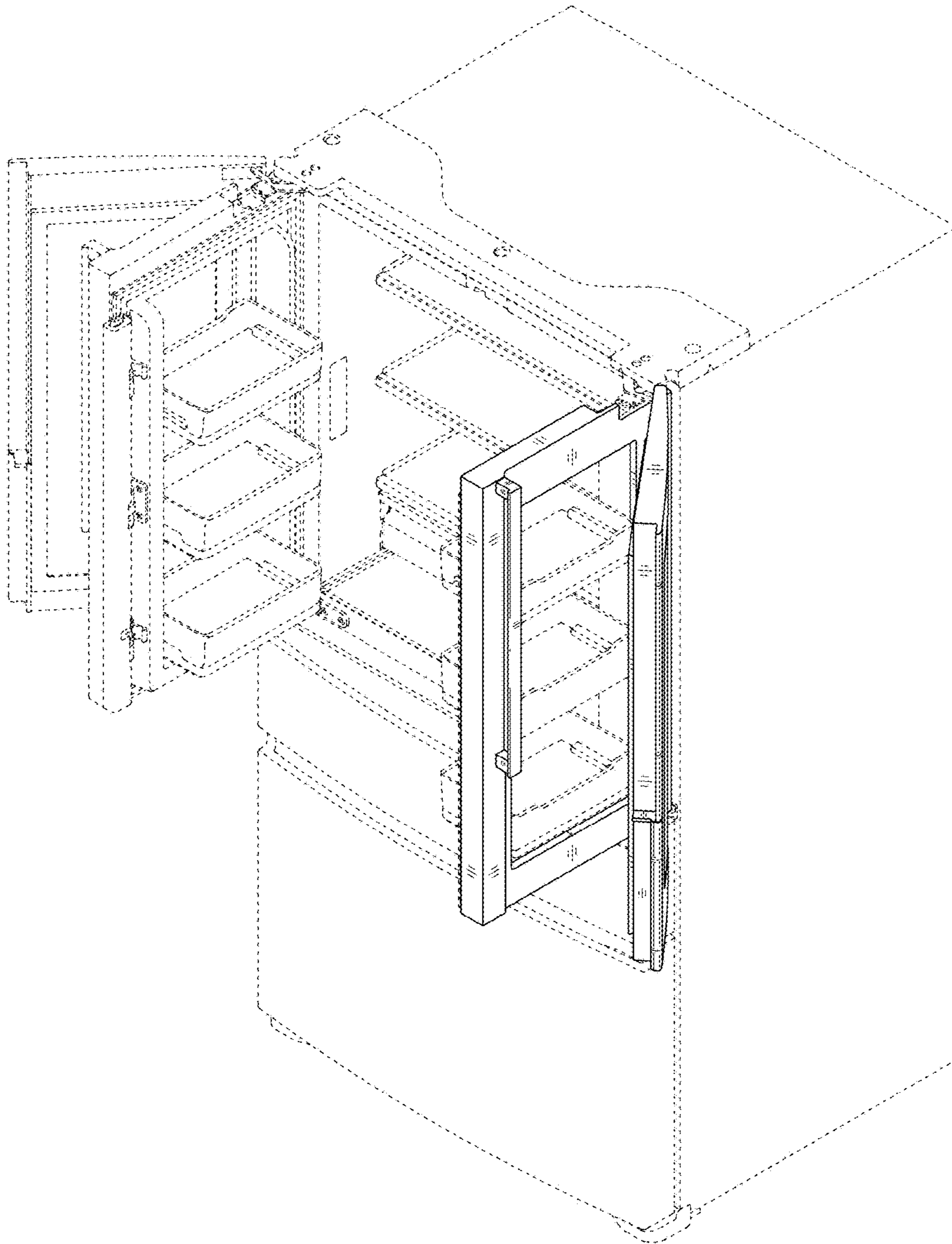


FIG. 2

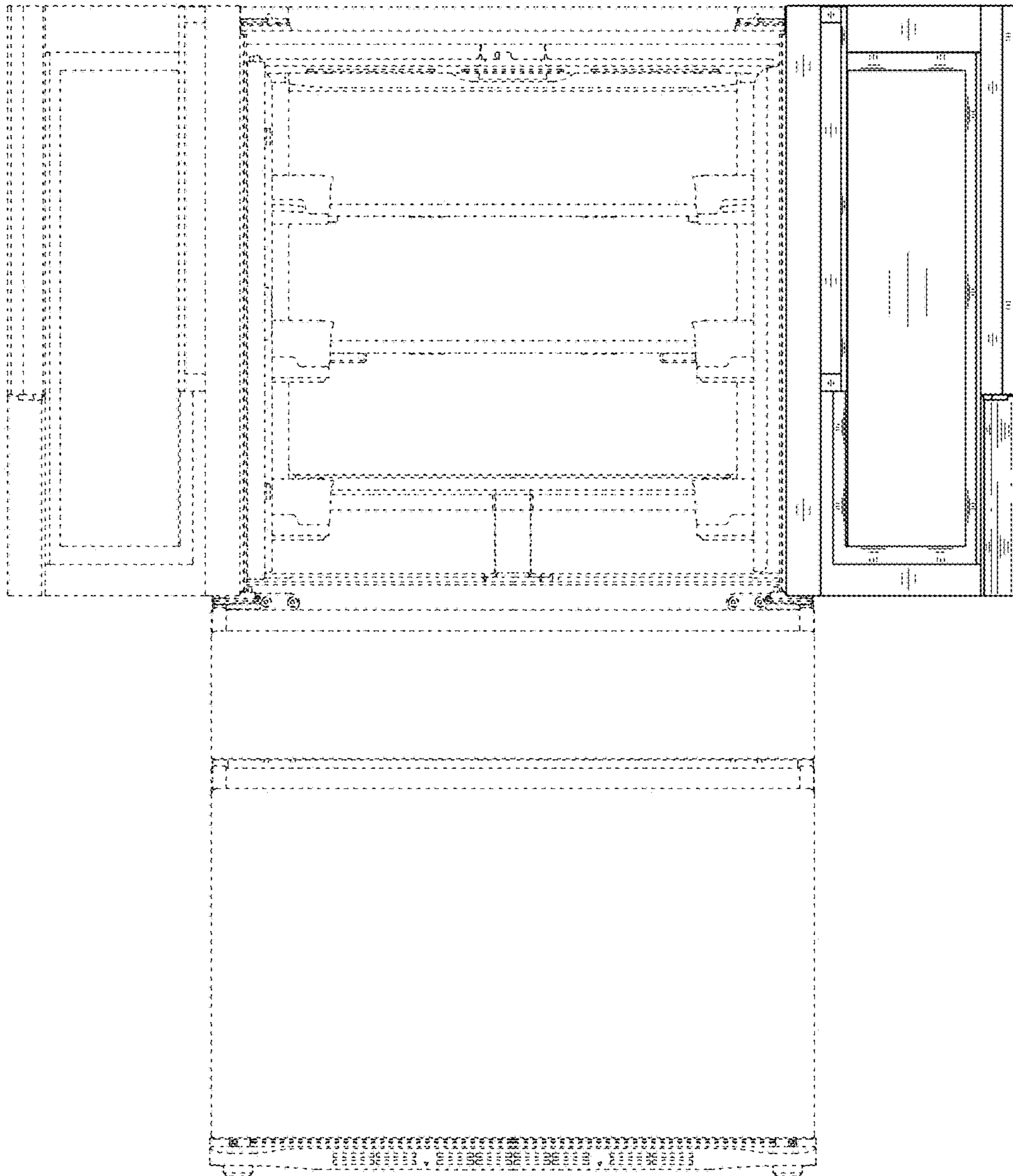


FIG. 3

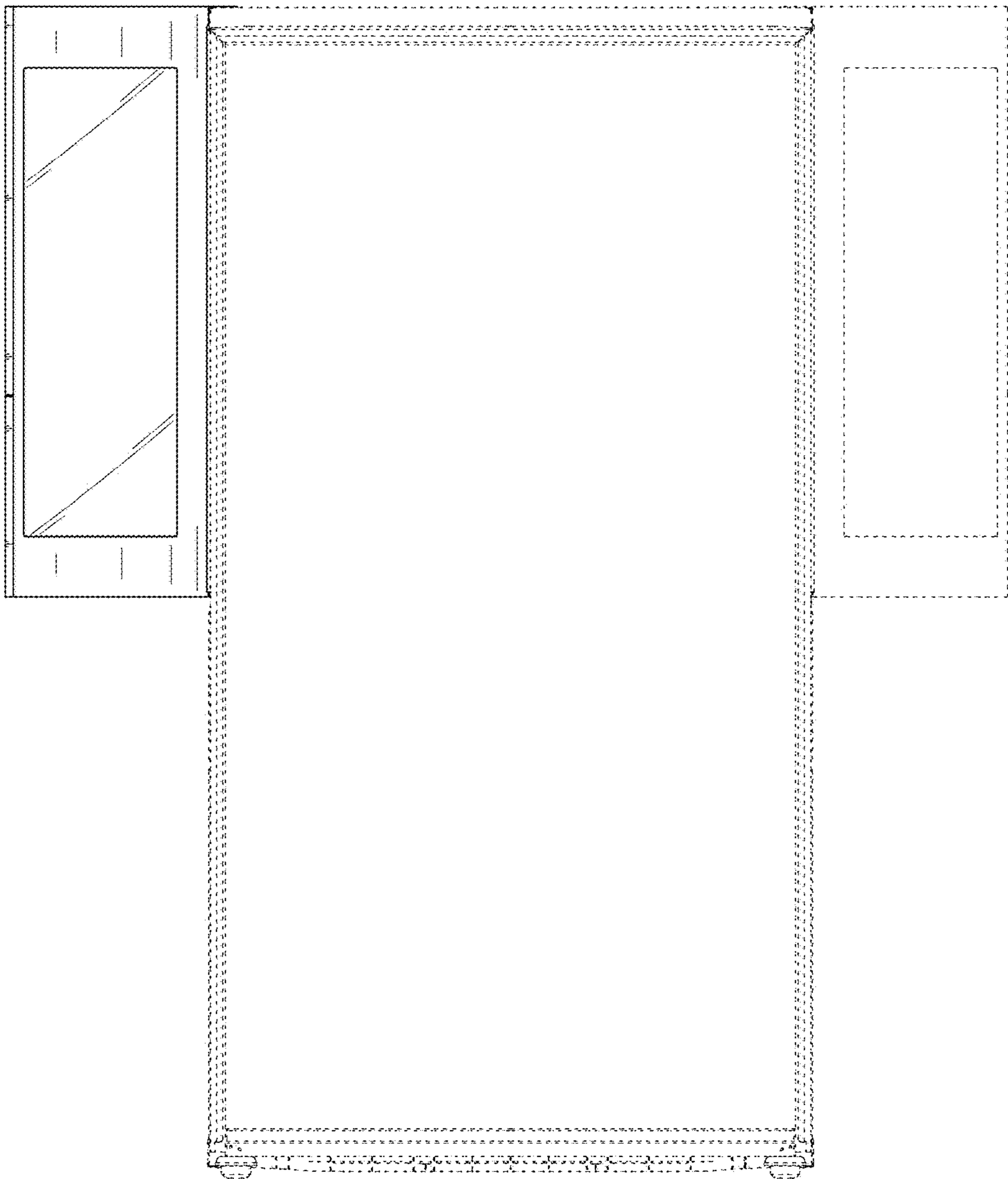


FIG. 4

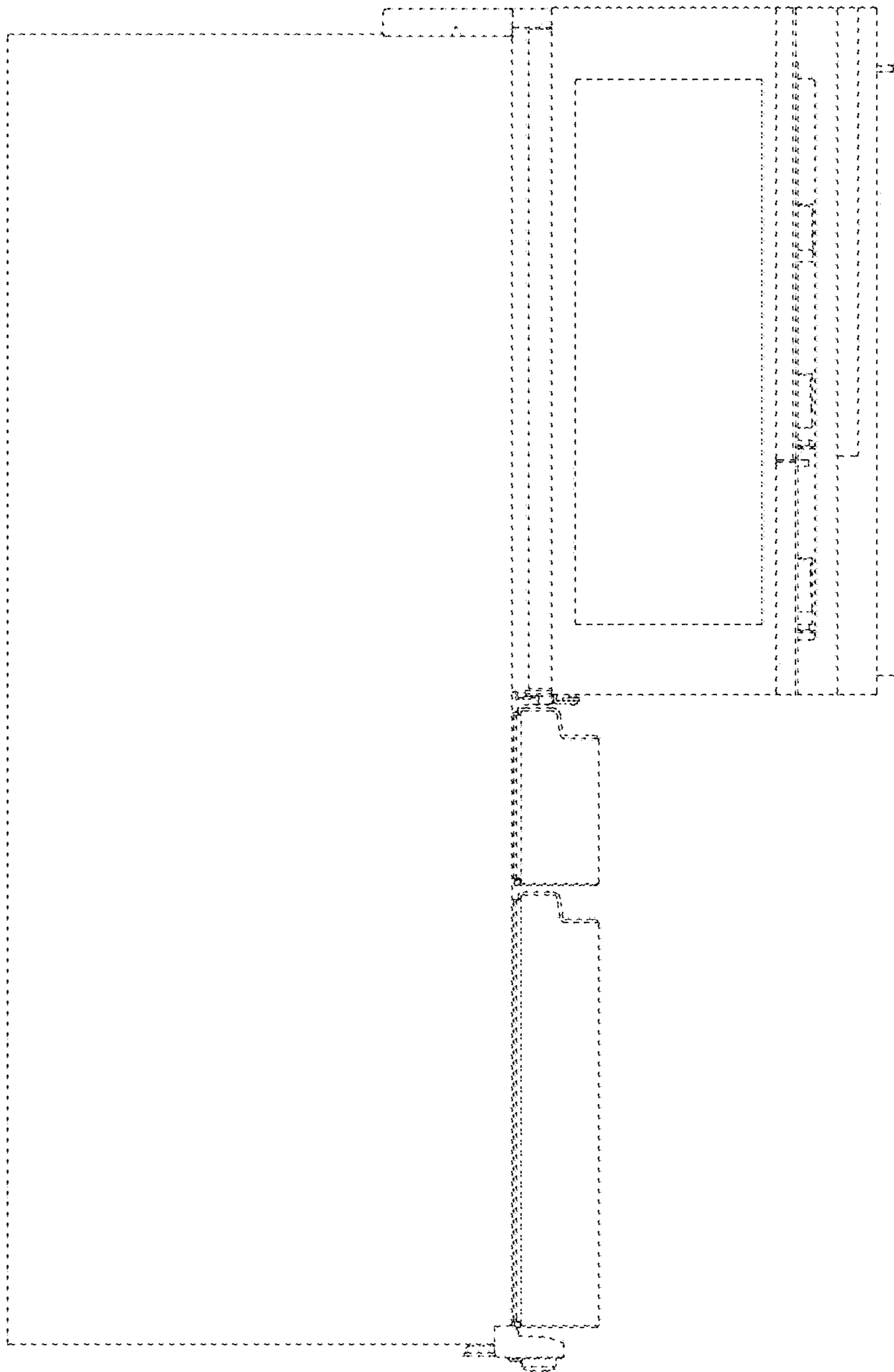


FIG. 5

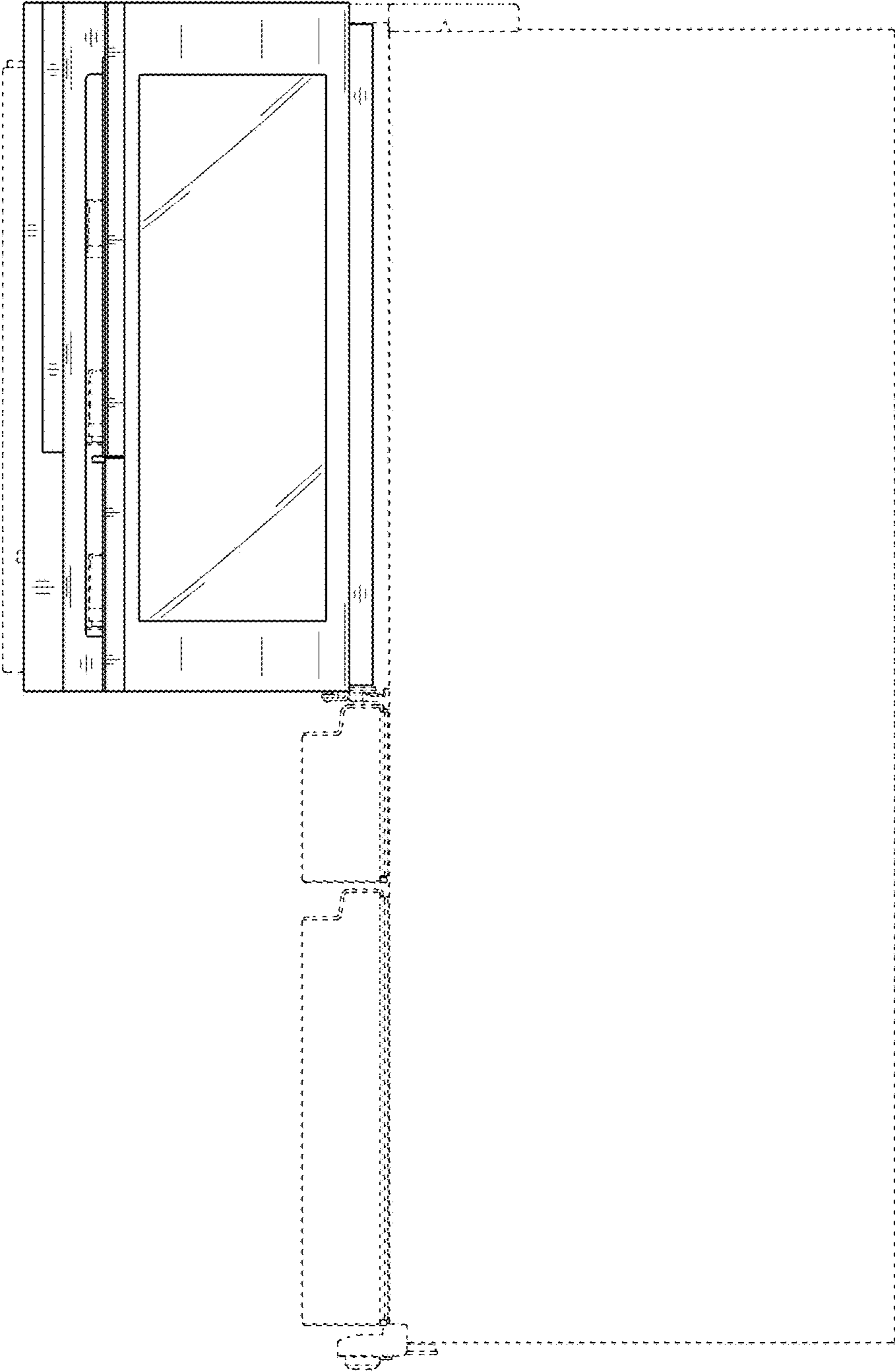


FIG. 6

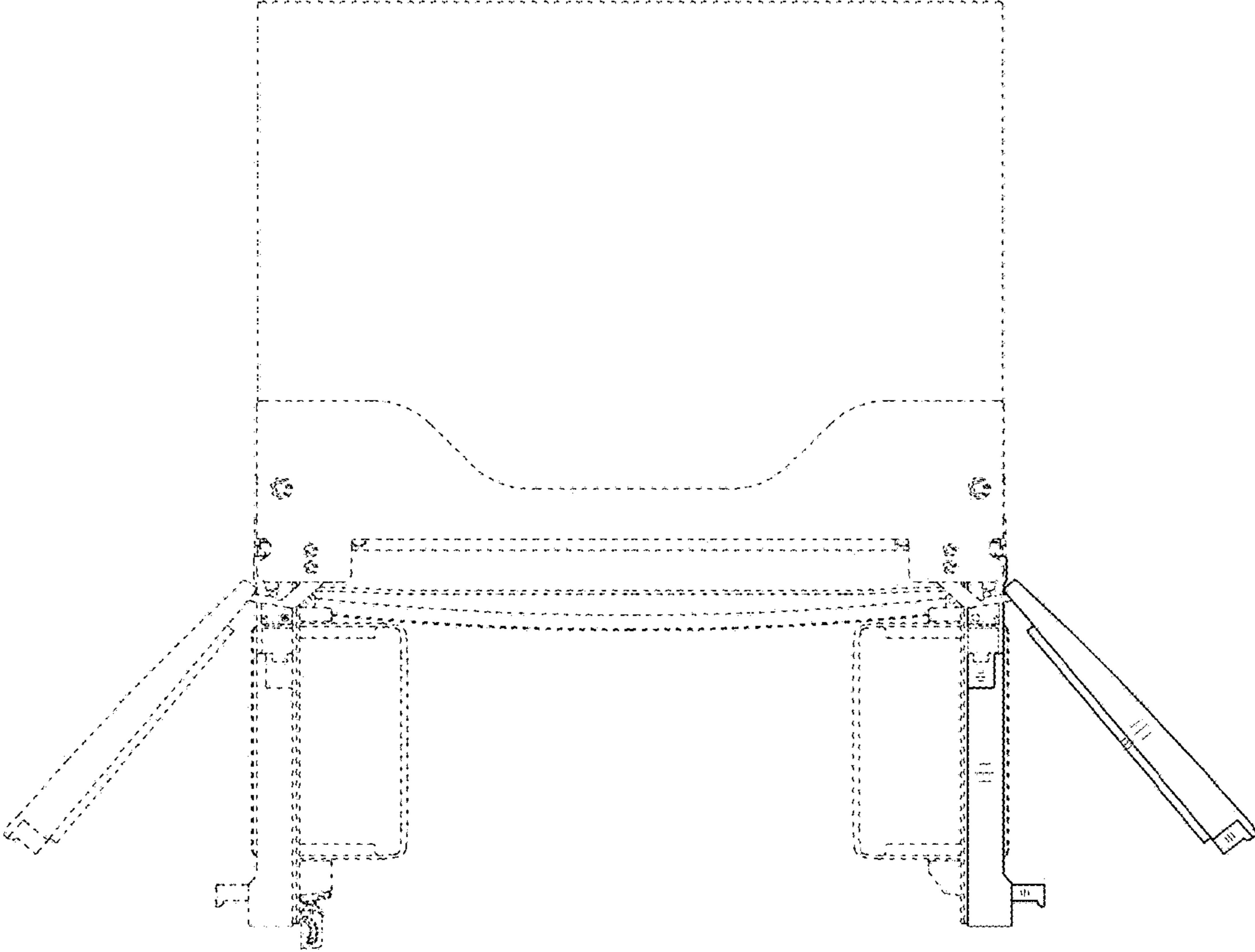


FIG. 7

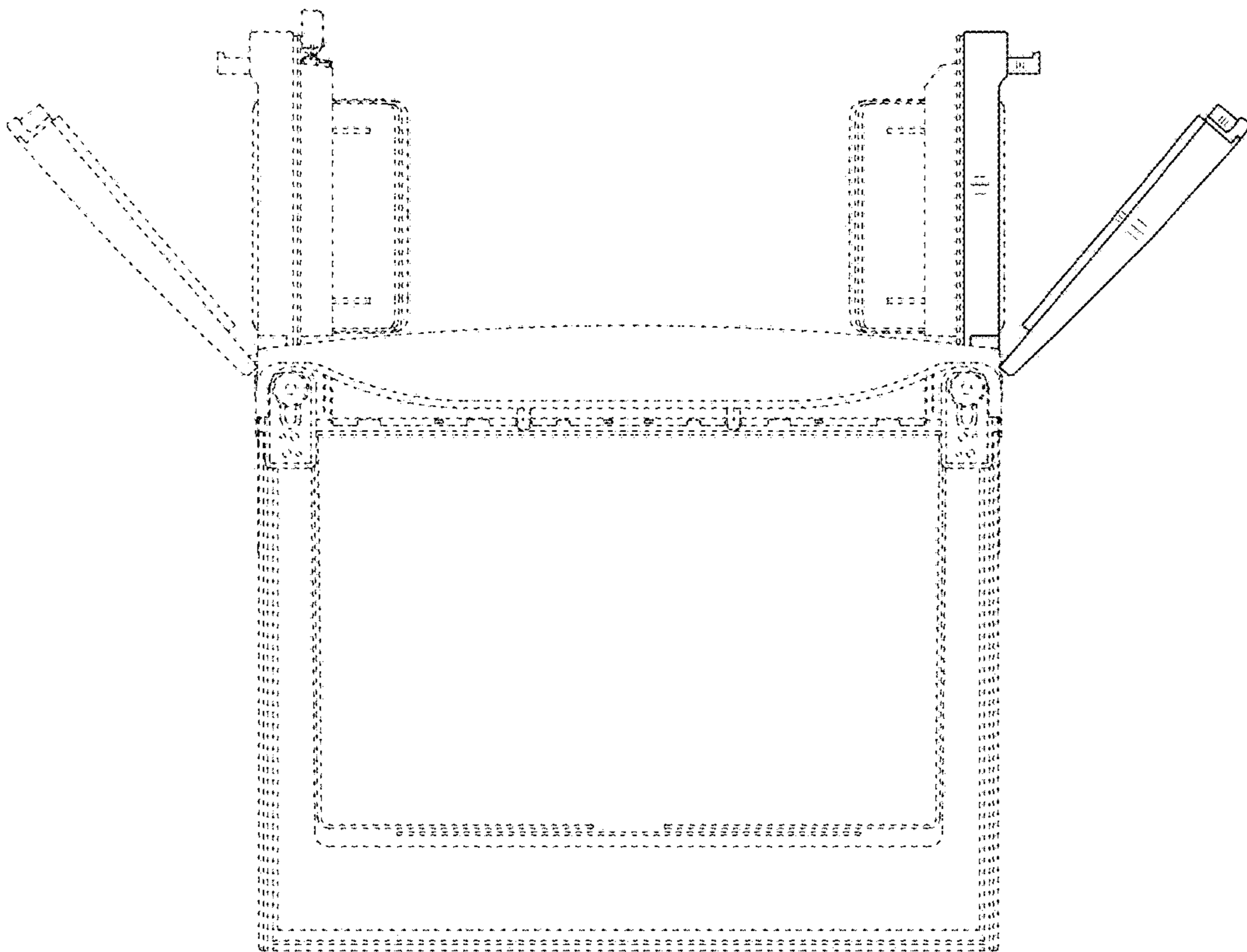


FIG. 8

