



US00D783688S

(12) **United States Design Patent**
Park et al.

(10) **Patent No.:** **US D783,688 S**

(45) **Date of Patent:** **** Apr. 11, 2017**

(54) **WINE REFRIGERATOR**

F25D 17/02; F25D 17/047; F25D 17/067;
F25D 19/02; F25C 5/005; F25C 1/04;
F25C 5/007; F25C

(71) Applicant: **Samsung Electronics Co., Ltd.**,
Suwon-si, Gyeonggi-do (KR)

(Continued)

(72) Inventors: **Seojin Park**, Yongin-si (KR); **Binna Kim**, Seoul (KR); **Seyoun Park**, Seoul (KR)

(56)

References Cited

U.S. PATENT DOCUMENTS

(73) Assignee: **SAMSUNG ELECTRONICS CO., LTD.**, Gyeonggi-Do (KR)

D680,828 S * 4/2013 Decker D7/705
D714,844 S * 10/2014 Jeon D15/89

(Continued)

(**) Term: **15 Years**

FOREIGN PATENT DOCUMENTS

(21) Appl. No.: **29/553,099**

EM 000512561-0006 3/2006
KR 300385085 S 6/2005
KR 300643650 S 5/2012

(22) Filed: **Jan. 28, 2016**

(30) **Foreign Application Priority Data**

Aug. 19, 2015 (KR) 30-2015-0041917

(51) **LOC (10) Cl.** **15-07**

(52) **U.S. Cl.**
USPC **D15/89**

(58) **Field of Classification Search**
USPC D15/79-91; D23/213, 249, 229-230,
D23/228, 282-283, 411, 412, 393, 370
CPC F25D 11/02; F25D 2317/0666; F25D
2323/021; F25D 2700/12; F25D
2700/122; F25D 29/00; F25D 2317/0682;
F25D 2700/121; F25D 2700/14; F25D
17/045; F25D 27/00; F25D 17/065; F25D
23/12; F25D 2700/02; F25D 2400/02;
F25D 11/022; F25D 2317/067; F25D
23/02; F25D 2400/361; F25D 11/00;
F25D 17/042; F25D 21/14; F25D
2323/122; F25D 23/006; F25D 23/04;
F25D 2400/06; F25D 2400/16; F25D
2400/28; F25D 2500/02; F25D 2700/10;
F25D 2700/123; F25D 23/003; F25D
23/021; F25D 23/069; F25D 23/087;
F25D 2400/04; F25D 2400/14; F25D
2400/30; F25D 2400/40; F25D 25/025;
F25D 27/005; F25D 11/006; F25D 11/04;

Primary Examiner — Ian Simmons

Assistant Examiner — Khawaja Anwar

(74) *Attorney, Agent, or Firm* — Cantor Colburn LLP

(57)

CLAIM

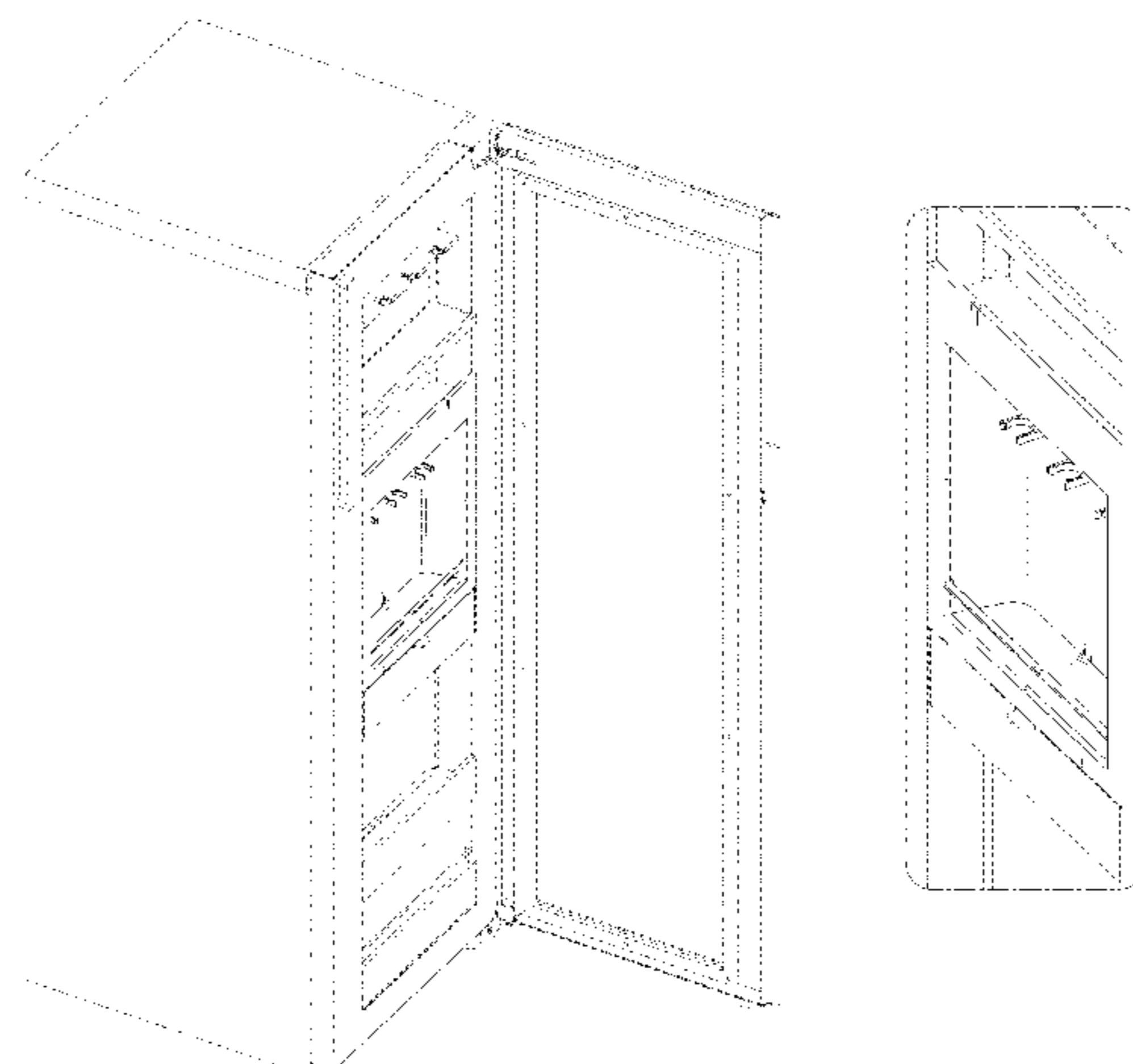
The ornamental design for a wine refrigerator, as shown and described.

DESCRIPTION

FIG. 1 is a perspective view of a wine refrigerator, showing our new design;
FIG. 2 is a front view thereof;
FIG. 3 is a rear view thereof;
FIG. 4 is a left side view thereof;
FIG. 5 is a right side view thereof;
FIG. 6 is a top view thereof;
FIG. 7 is a bottom view thereof; and,
FIG. 8 is an enlarged perspective view of the portion 8 of FIG. 2.

The broken lines illustrating portions of the wine refrigerator form no part of the claimed design. The dot-dash broken

(Continued)



lines indicating portions of the claimed design that are illustrated in enlargements form no part of the claimed design.

1 Claim, 8 Drawing Sheets

(58) **Field of Classification Search**

CPC 1/00; F25C 2400/10; F25C 5/08; F25C 5/182; F25C 5/185; F25C 1/24; F25C 2400/14; F25C 2500/06; F25C 5/046; F25C 1/225; F25C 2305/022; F25C 5/16
See application file for complete search history.

(56) **References Cited**

U.S. PATENT DOCUMENTS

D714,845 S	*	10/2014	Jeon	D15/89
D760,560 S	*	7/2016	Chosovich	D7/701
D765,744 S	*	9/2016	Park	D15/89
D768,212 S	*	10/2016	Lee	D15/89

* cited by examiner

FIG. 1

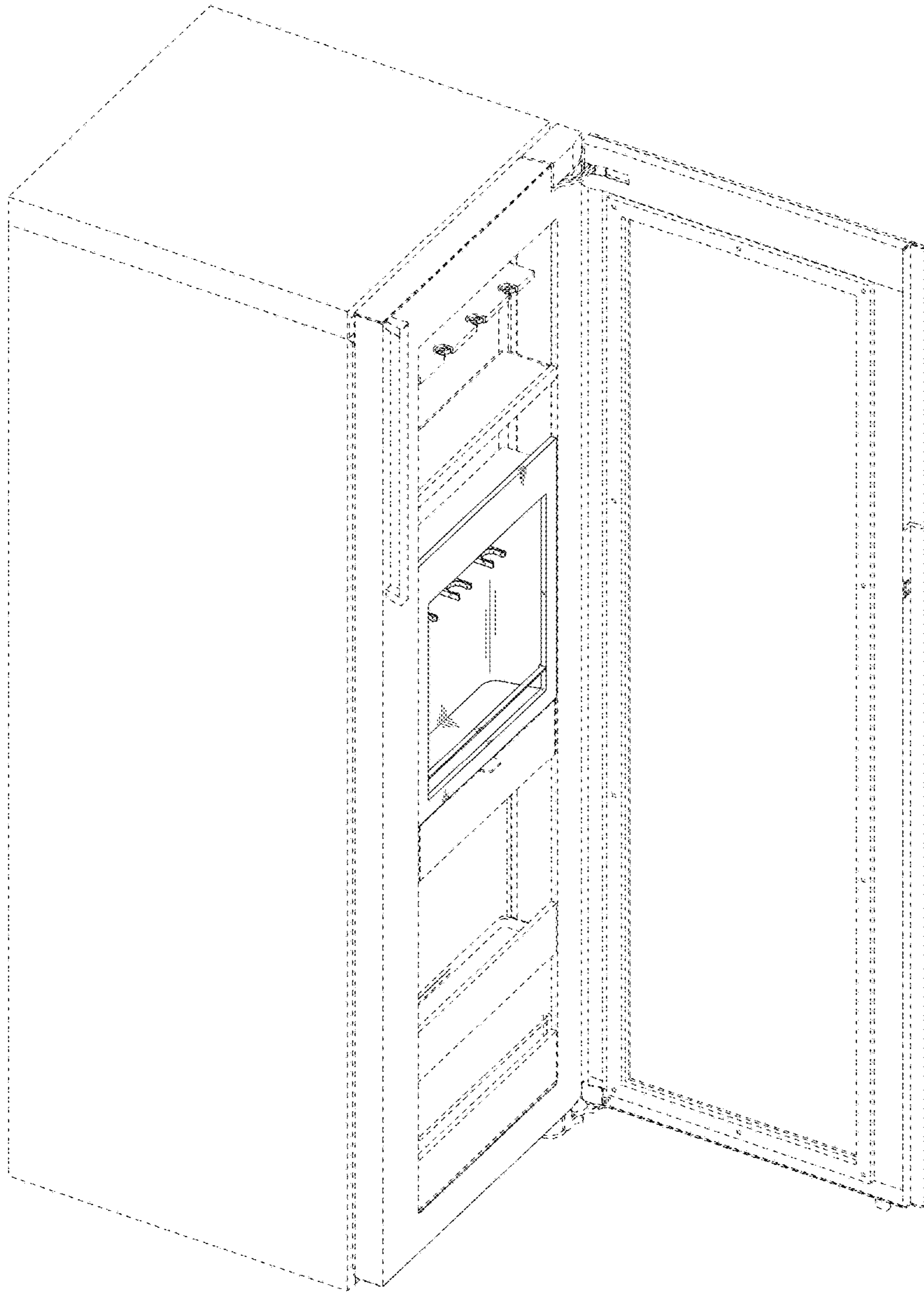


FIG. 2

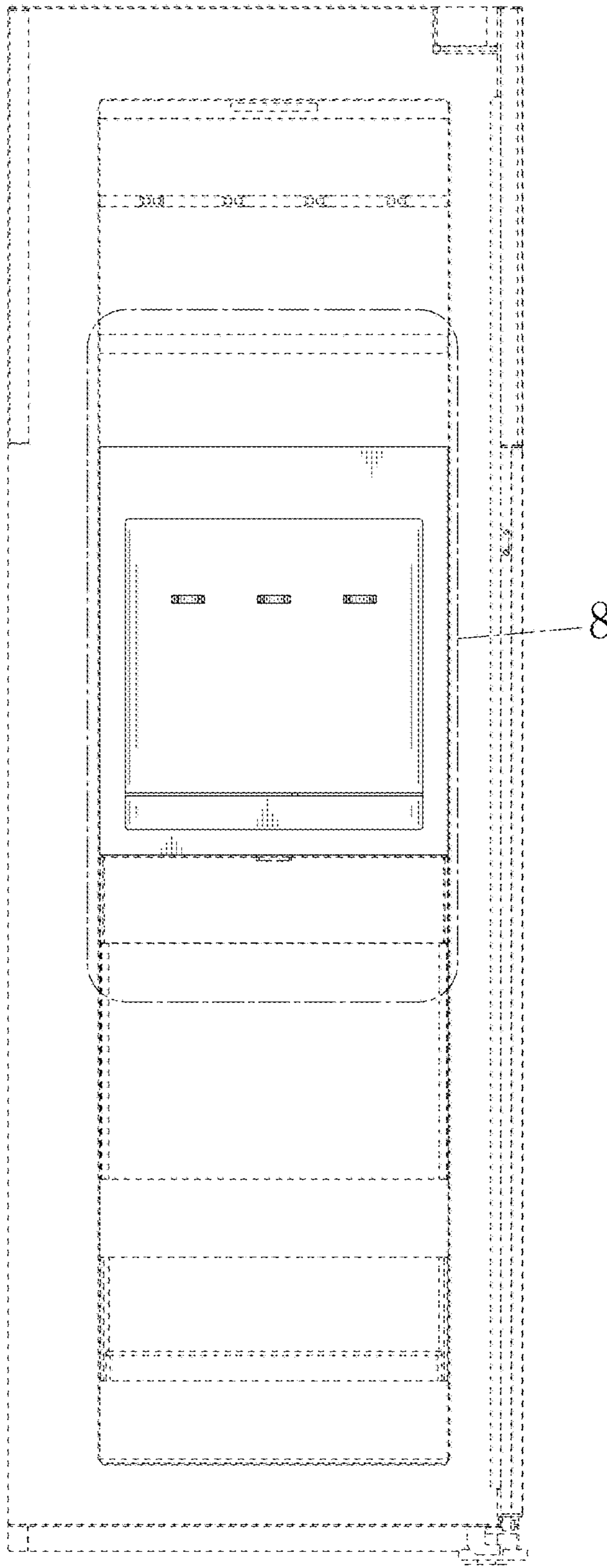


FIG. 3

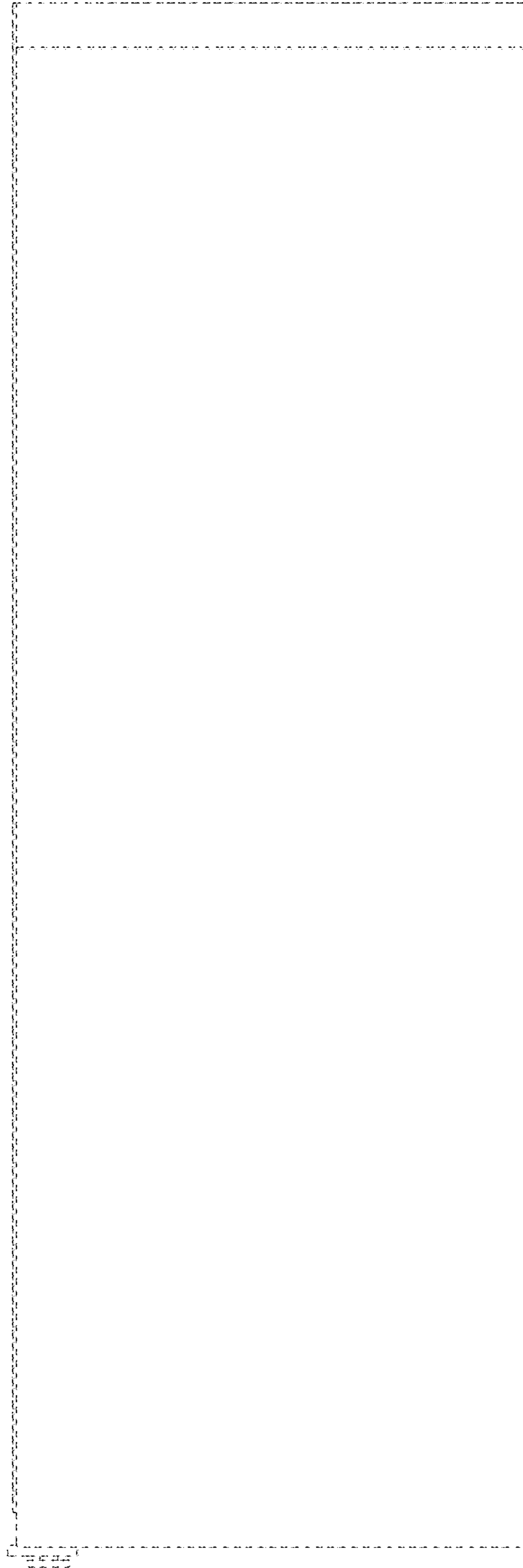


FIG. 4

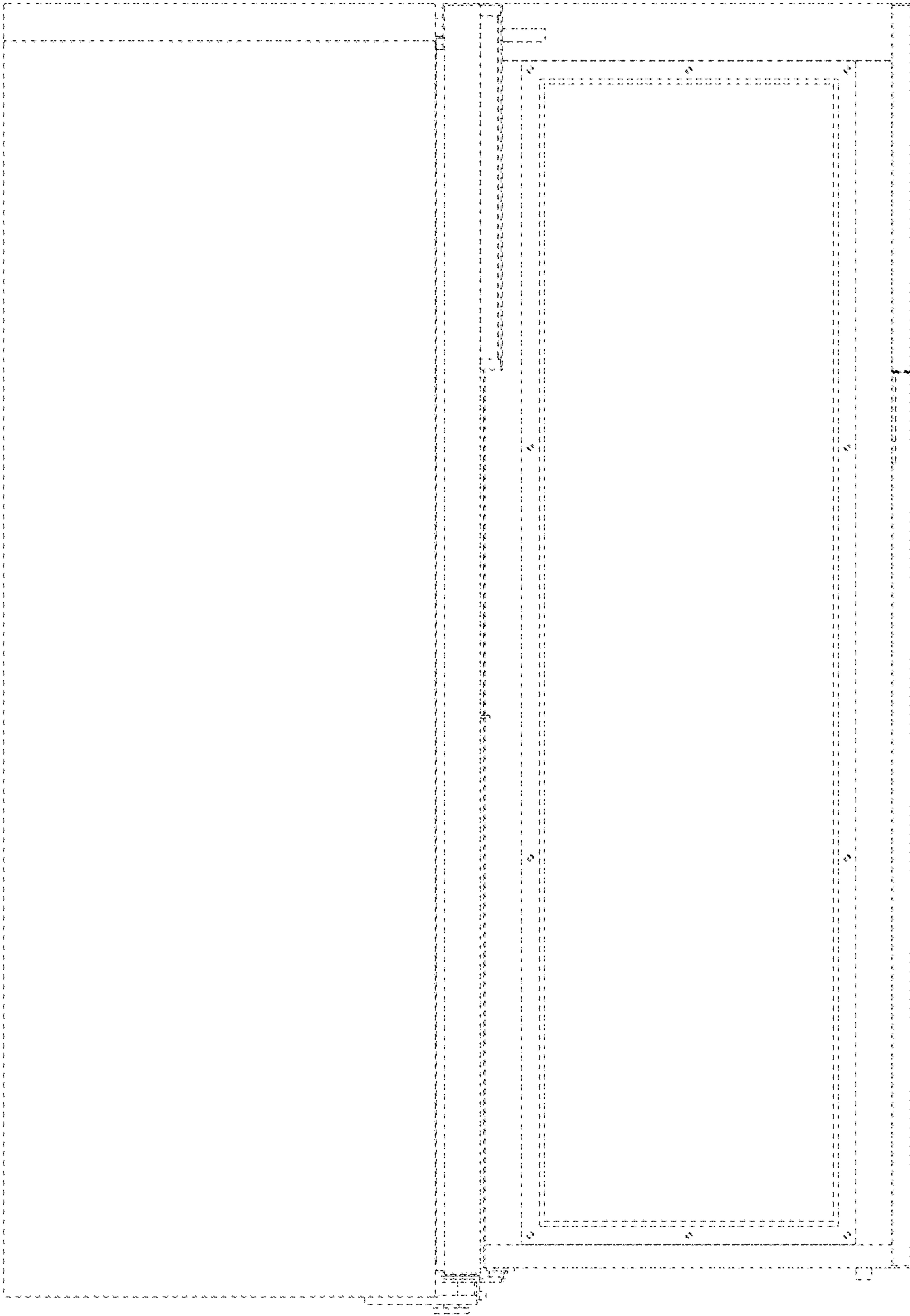


FIG. 5

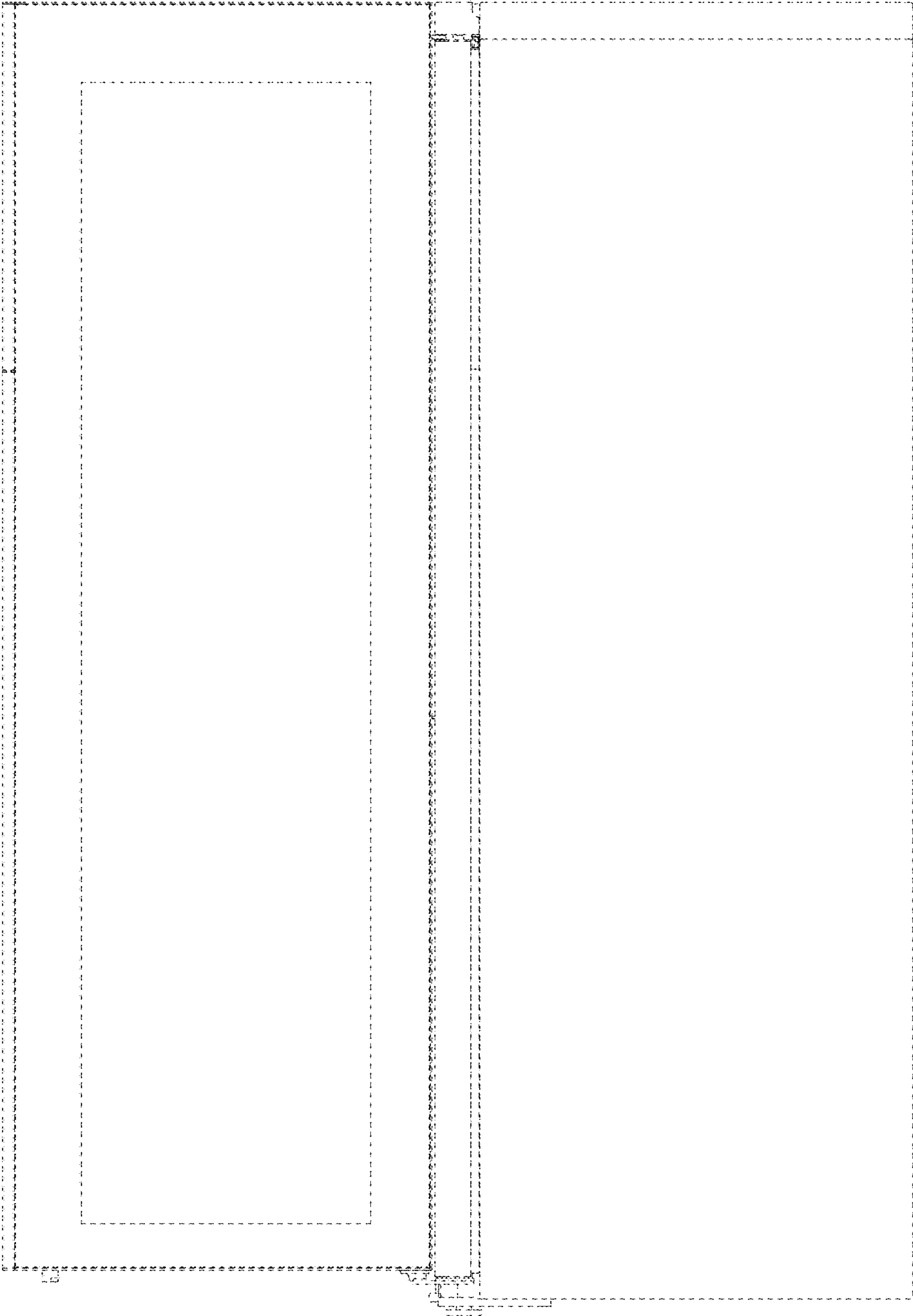


FIG. 6

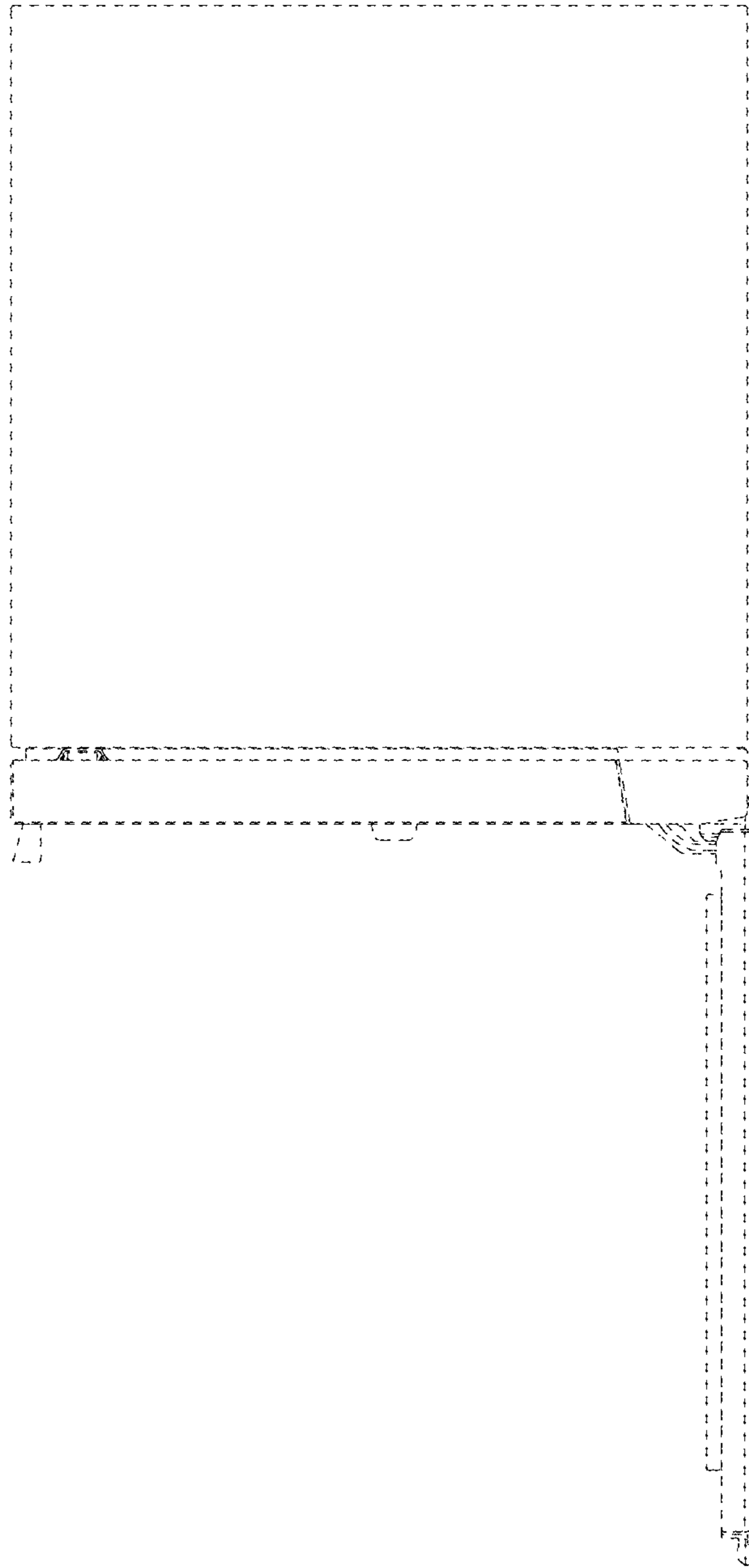


FIG. 7

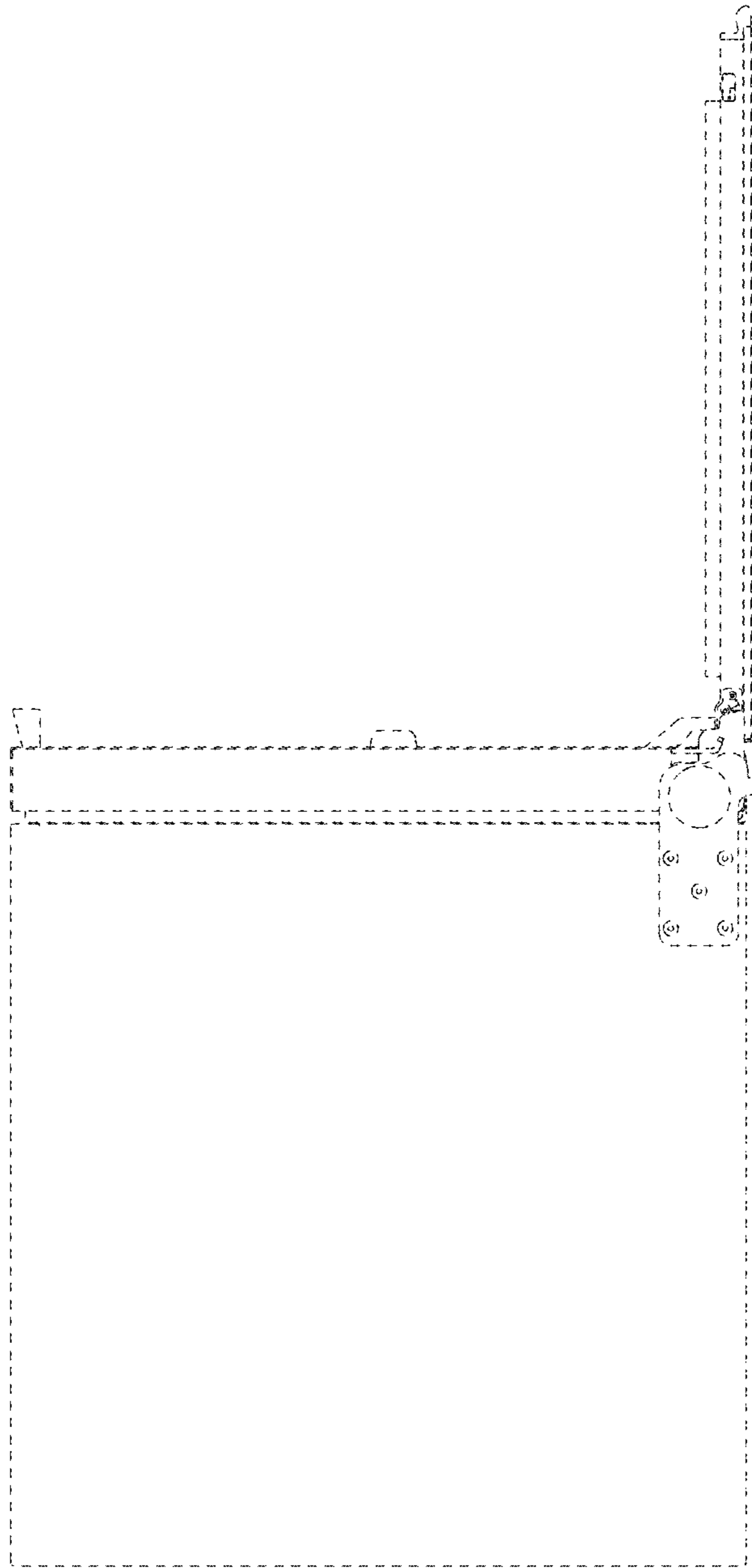


FIG. 8

