



US00D783687S

(12) **United States Design Patent** (10) **Patent No.:** **US D783,687 S**
Asano (45) **Date of Patent:** **** Apr. 11, 2017**

- (54) **SEWING MACHINE**
- (71) Applicant: **BROTHER INDUSTRIES, LTD.**,
Nagoya-shi, Aichi-ken (JP)
- (72) Inventor: **Masahide Asano**, Nagoya (JP)
- (73) Assignee: **BROTHER INDUSTRIES, LTD.**,
Nagoya (JP)
- (**) Term: **15 Years**
- (21) Appl. No.: **29/546,903**
- (22) Filed: **Nov. 27, 2015**
- (51) **LOC (10) Cl.** **15-06**
- (52) **U.S. Cl.**
USPC **D15/69**
- (58) **Field of Classification Search**
USPC D15/66-76
CPC D05B 1/00; D05B 25/00
See application file for complete search history.

(56) **References Cited**

U.S. PATENT DOCUMENTS

D430,886 S *	9/2000	Yamamoto	D15/69
D450,720 S *	11/2001	Kuroki	D15/69
D515,108 S *	2/2006	Kawaguchi	D15/69
D516,589 S *	3/2006	Katsuyama	D15/69
D520,027 S *	5/2006	Kuroki	D15/69
D591,312 S *	4/2009	Mori	D15/69
D594,481 S *	6/2009	Inada	D15/69

D724,110 S *	3/2015	Asano	D15/69
D724,111 S *	3/2015	Asano	D15/69
D765,149 S *	8/2016	Yamamoto	D15/69
D765,742 S *	9/2016	Asano	D15/69
D769,337 S *	10/2016	Asano	D15/69

OTHER PUBLICATIONS

U.S. Appl. No. 29/528,585, filed May 29, 2015 in the name of Asano.
U.S. Appl. No. 29/528,617, filed May 29, 2015 in the name of Asano.

* cited by examiner

Primary Examiner — Mitchell Siegel
(74) *Attorney, Agent, or Firm* — Oliff PLC

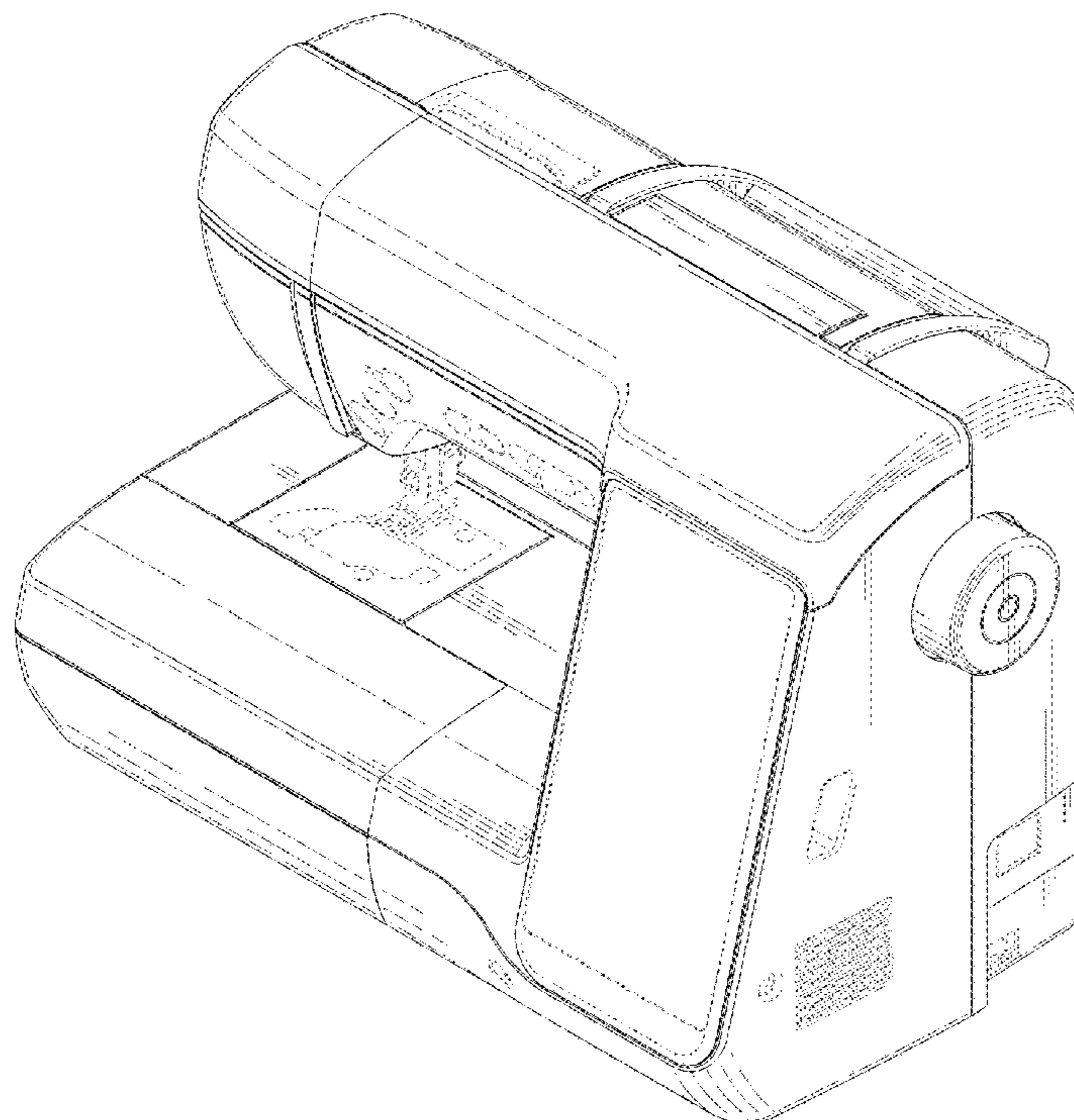
(57) **CLAIM**

The ornamental design for a sewing machine, as shown and described.

DESCRIPTION

FIG. 1 is a perspective view of a sewing machine;
FIG. 2 is a front view thereof;
FIG. 3 is a top view thereof;
FIG. 4 is a right-side view thereof;
FIG. 5 is a left-side view thereof;
FIG. 6 is a rear view thereof; and,
FIG. 7 is a bottom view thereof.
The broken lines depict environmental subject matter only and form no part of the claimed design.

1 Claim, 7 Drawing Sheets



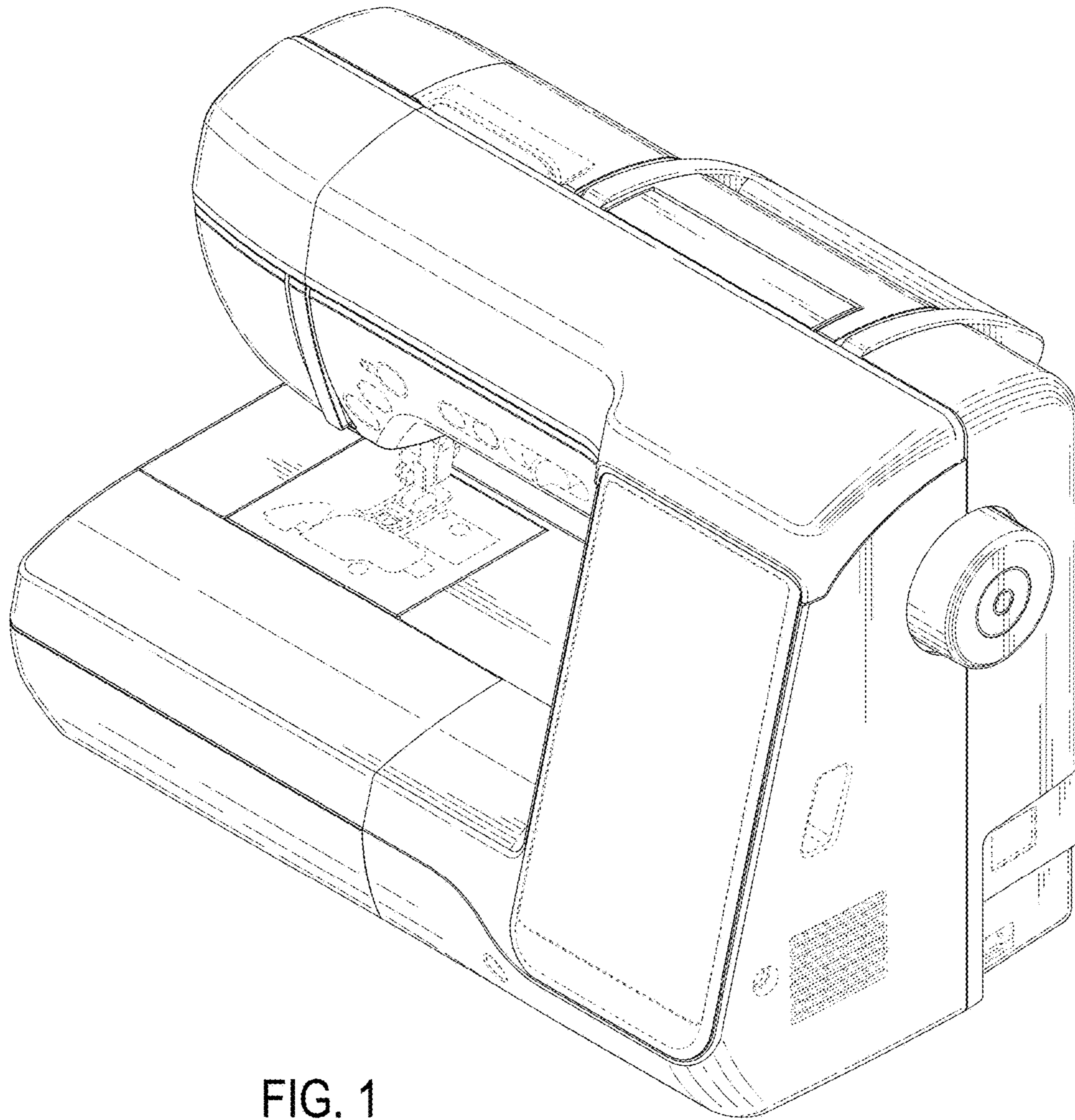


FIG. 1

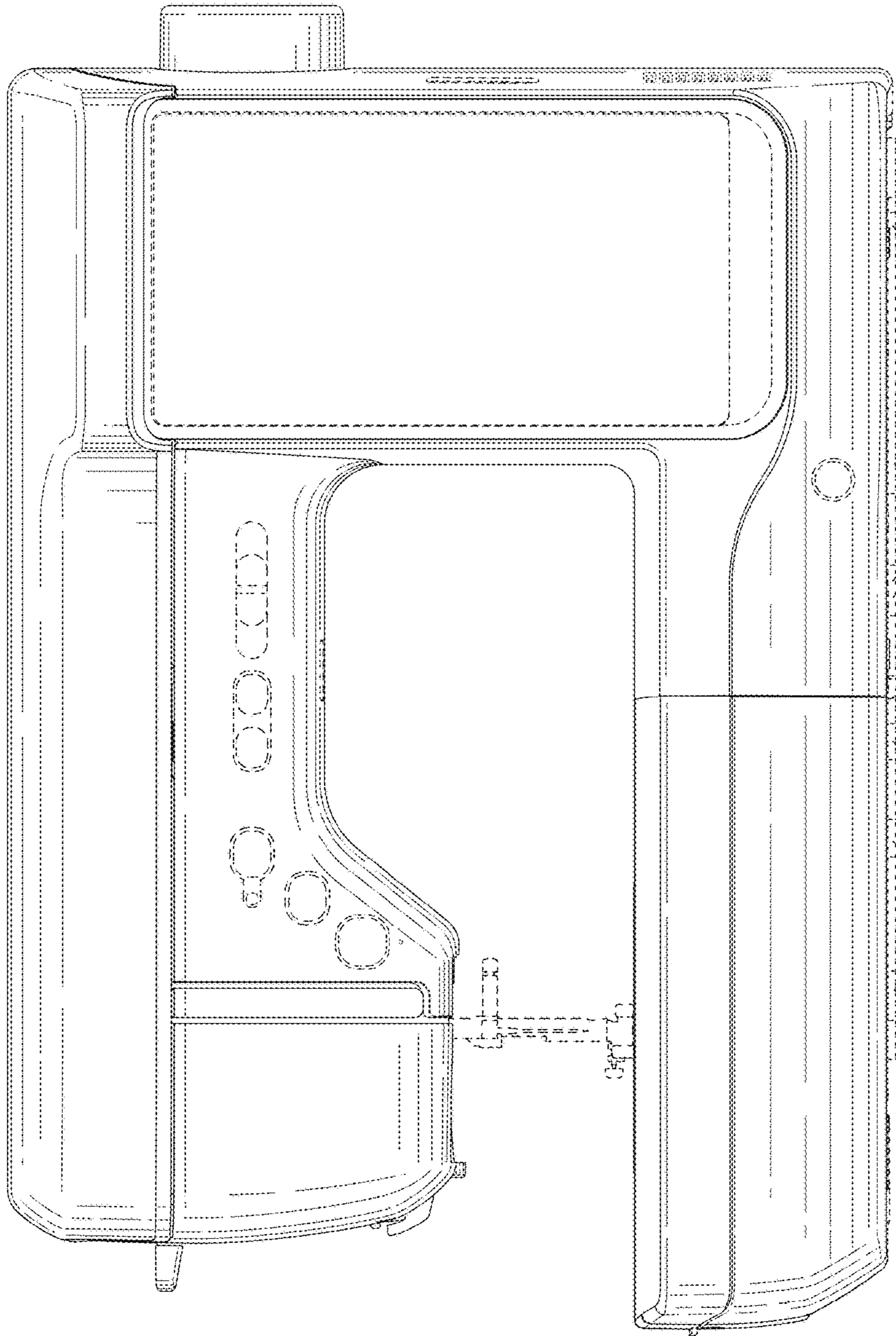


FIG. 2

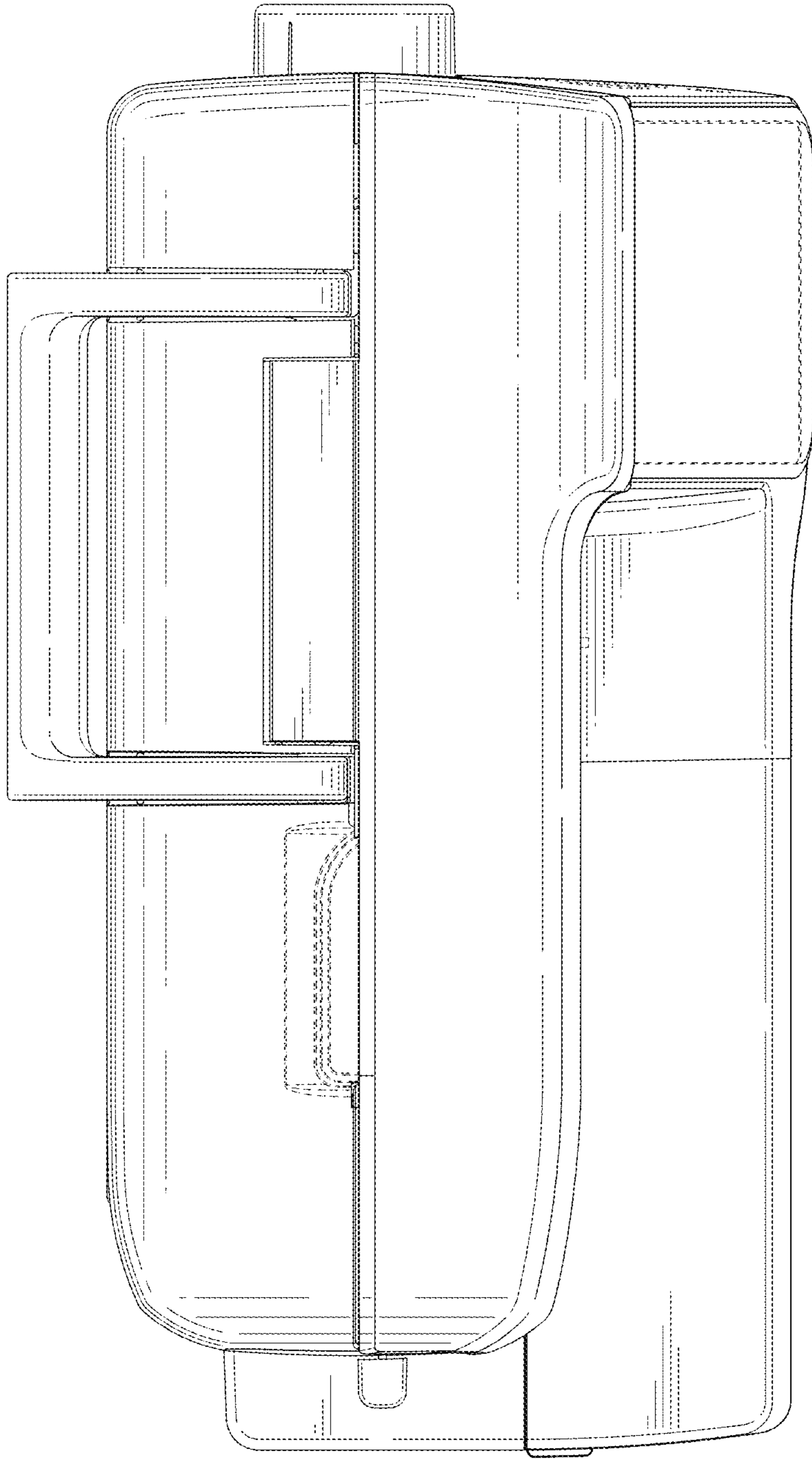


FIG. 3

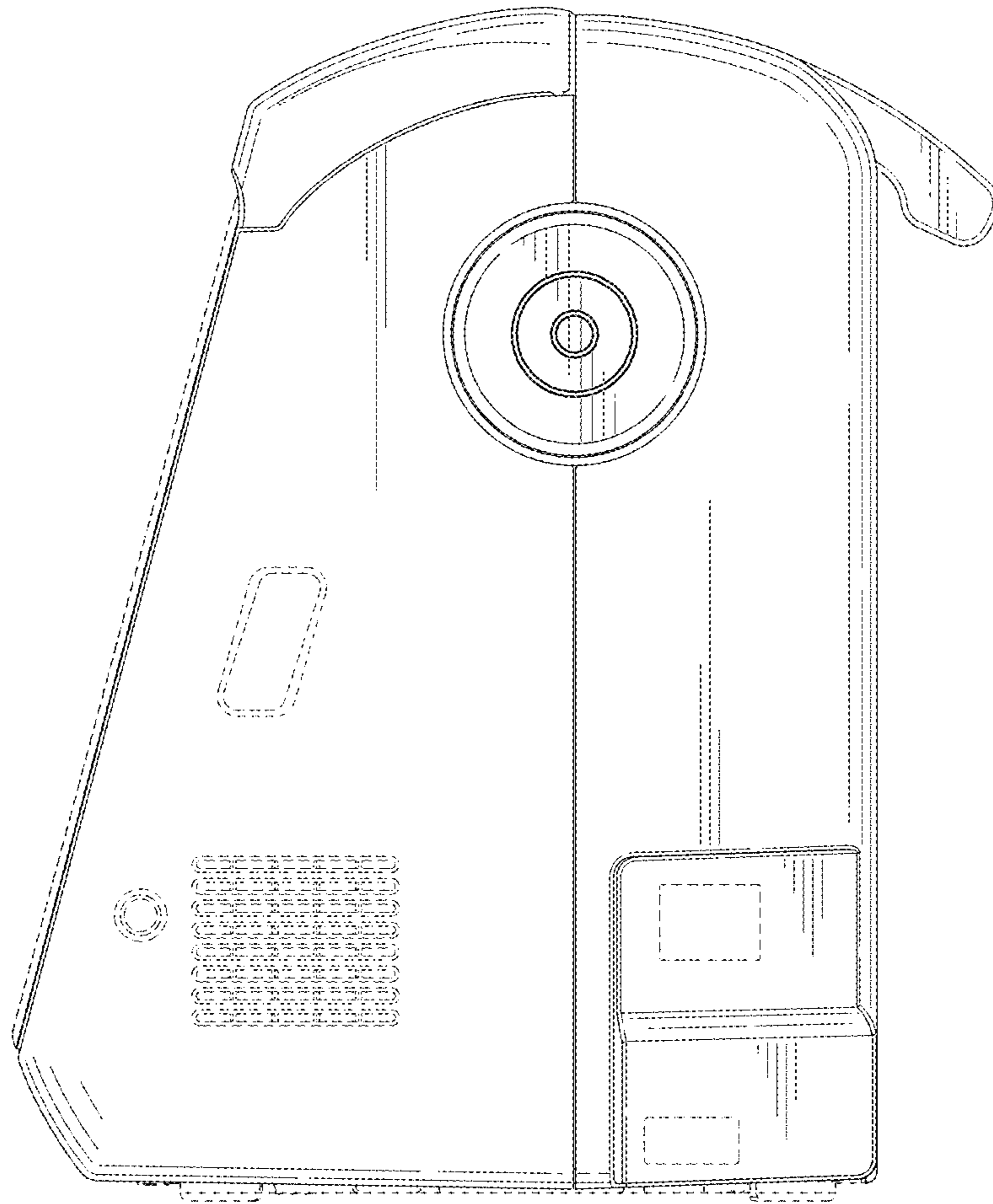


FIG. 4

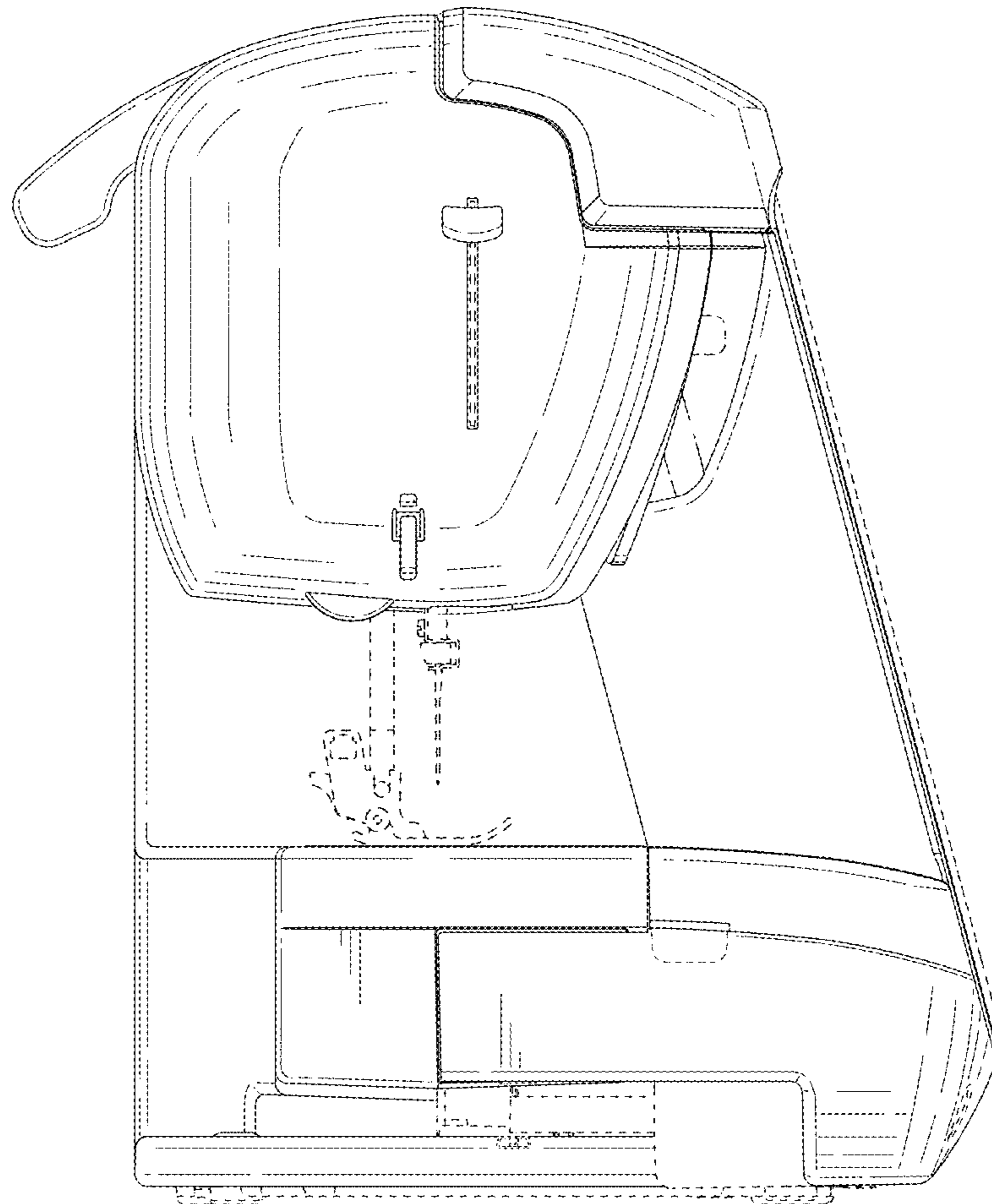


FIG. 5

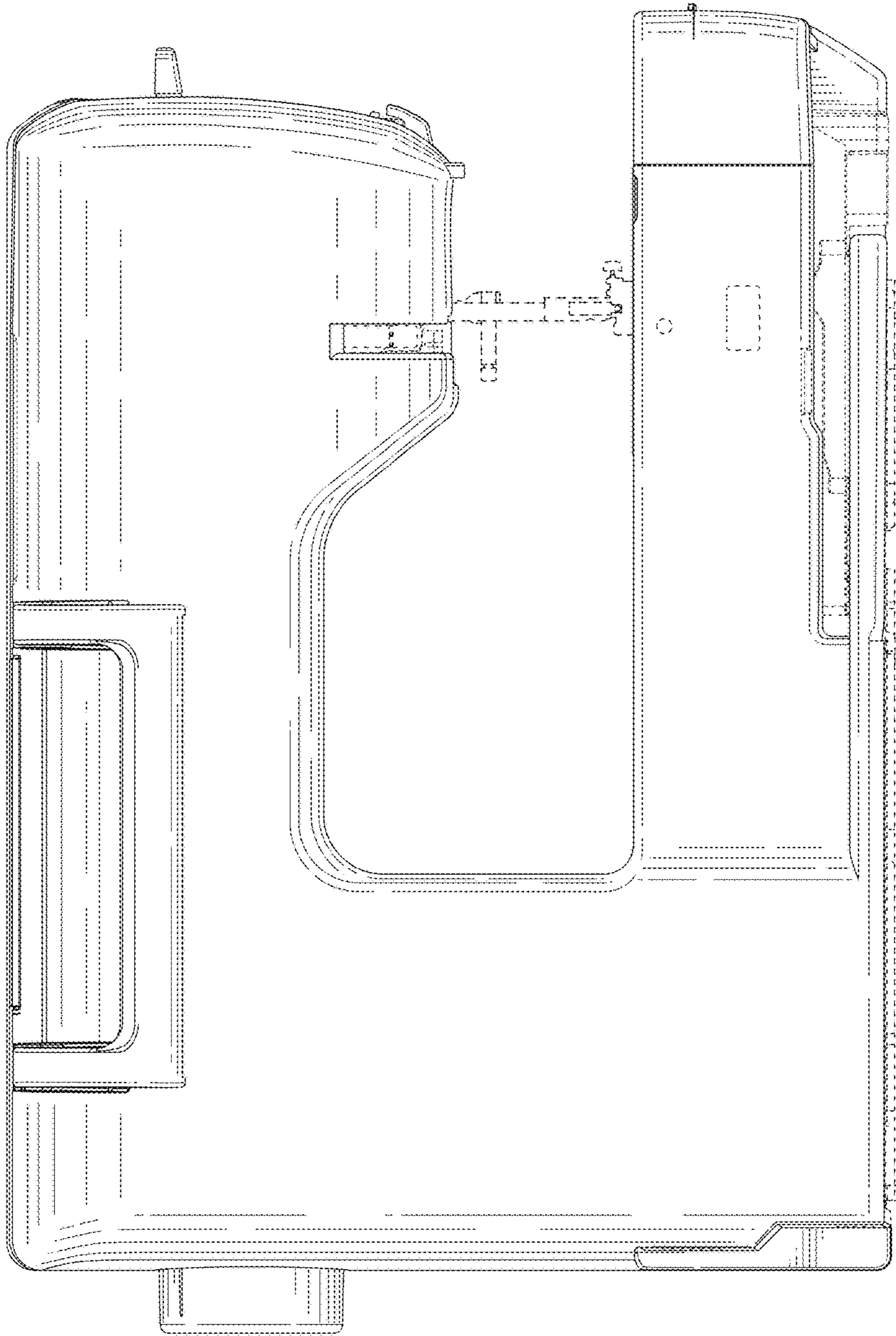


FIG. 6

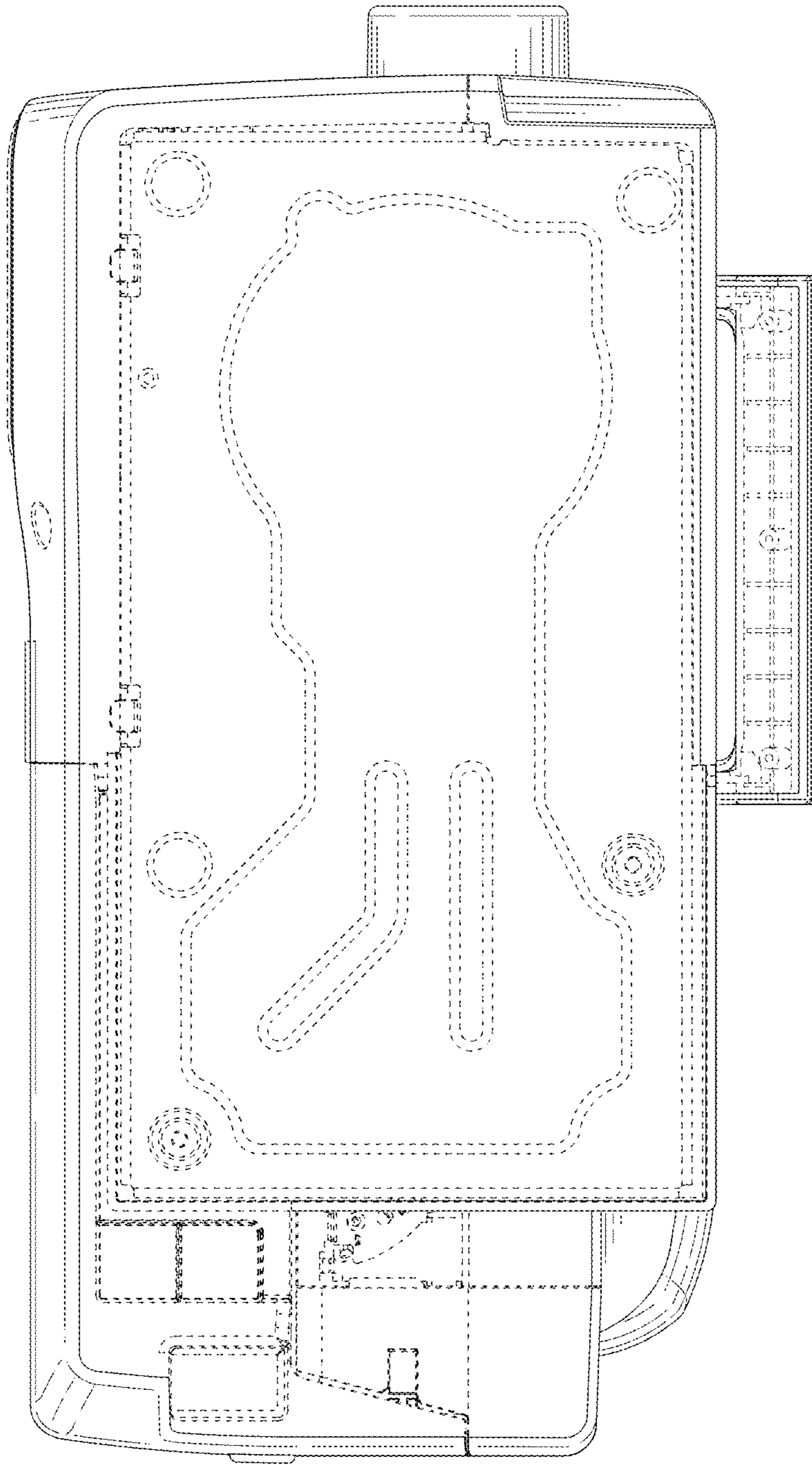


FIG. 7