



US00D783686S

(12) **United States Design Patent**
Jilbert et al.

(10) **Patent No.:** **US D783,686 S**

(45) **Date of Patent:** **** Apr. 11, 2017**

(54) **CAB MOLDING WITH A DISPLAY AND CONTROLS**

(71) Applicant: **J.C. BAMFORD EXCAVATORS LIMITED**, Uttoxeter (GB)

(72) Inventors: **Samuel John Jilbert**, Uttoxeter (GB); **Thomas Edward Underhill**, Rocester (GB); **Samuel Payne**, Uttoxeter (GB)

(73) Assignee: **J.C. BAMFORD EXCAVATORS LIMITED**, Uttoxeter (GB)

(**) Term: **15 Years**

(21) Appl. No.: **29/541,938**

(22) Filed: **Oct. 9, 2015**

(30) **Foreign Application Priority Data**

Apr. 10, 2015 (EM) 001433304

(51) **LOC (10) Cl.** **15-03**

(52) **U.S. Cl.**
USPC **D15/28**

(58) **Field of Classification Search**
USPC D15/17, 22-26, 28, 31, 33; D12/419, D12/192, 421; 180/69.2, 69.21, 69.24, 180/90; 296/70, 30, 72, 191, 192, 193.03
CPC B62D 25/00; B62D 33/0633; B62D 33/00; B62D 33/06
See application file for complete search history.

(56) **References Cited**

U.S. PATENT DOCUMENTS

D428,022 S * 7/2000 Altmann D15/28
D471,564 S * 3/2003 Hohnl D15/28
D549,739 S * 8/2007 Stephens D15/28
D593,134 S * 5/2009 Kuwae D15/17

D636,410 S * 4/2011 Ono D15/28
D636,794 S * 4/2011 Ono D15/28
D640,293 S * 6/2011 Ono D15/28
D652,063 S * 1/2012 Takeuchi D15/28
D652,433 S * 1/2012 Takeuchi D15/28
D682,892 S * 5/2013 Takagi D15/17
D685,006 S * 6/2013 Hagura D15/17
D692,466 S * 10/2013 Takagi D15/17
D697,534 S * 1/2014 Uchida D15/17
D718,343 S * 11/2014 Carter D15/28
D744,008 S * 11/2015 Hanson D13/169
D745,573 S * 12/2015 Moore D15/17

* cited by examiner

Primary Examiner — Mark Goodwin

(74) *Attorney, Agent, or Firm* — Marshall, Gerstein & Borun LLP

(57) **CLAIM**

The ornamental design for cab molding with a display and controls, as shown and described.

DESCRIPTION

FIG. 1 is a front, right-side, and top view of cab molding with a display and controls, showing one embodiment of the new design.

FIG. 2 is a front elevation view of the cab molding with a display and controls.

FIG. 3 is a top plan view.

FIG. 4 is a rear elevation view.

FIG. 5 is a right-side elevation view.

FIG. 6 is a left-side elevation view.

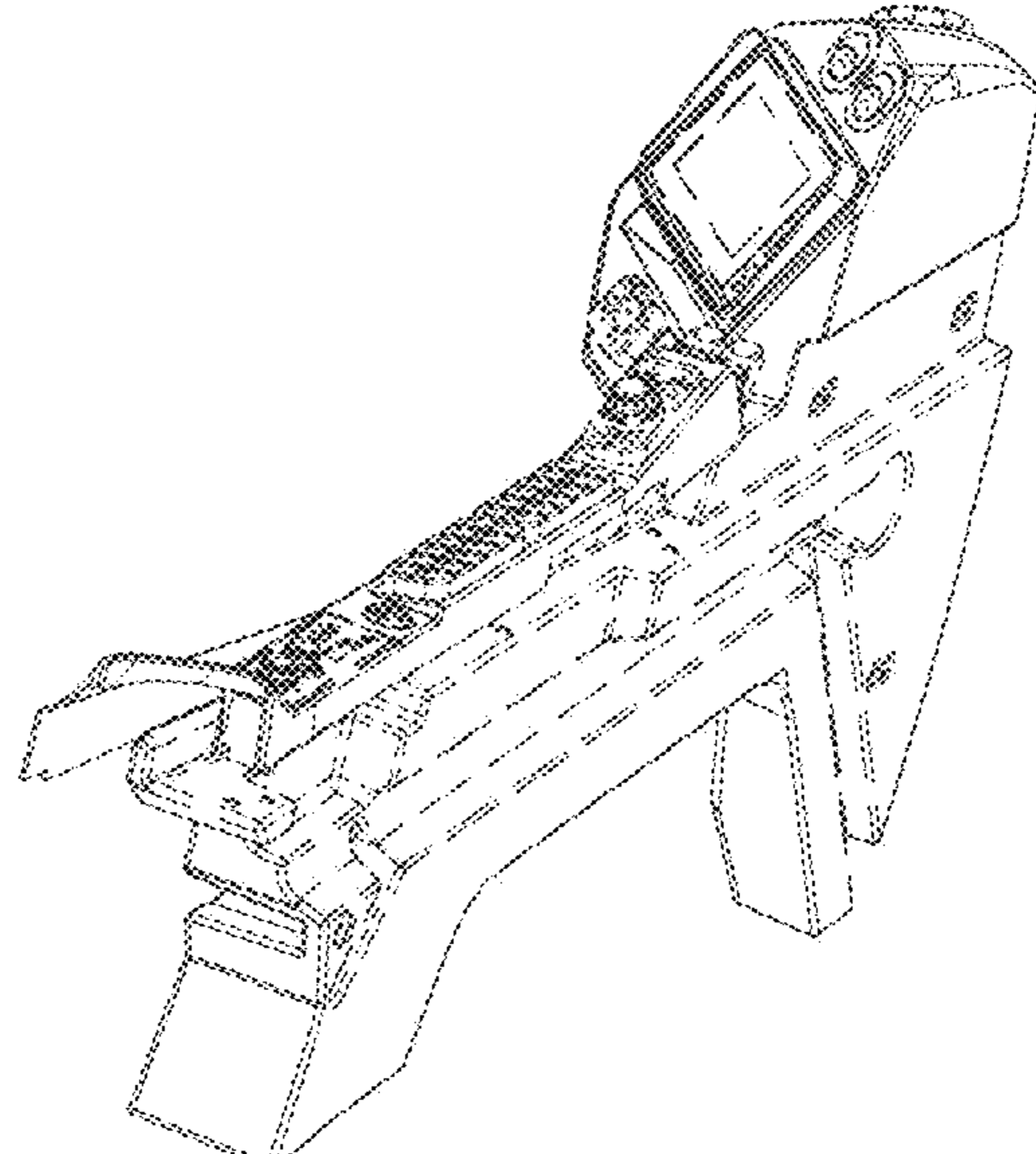
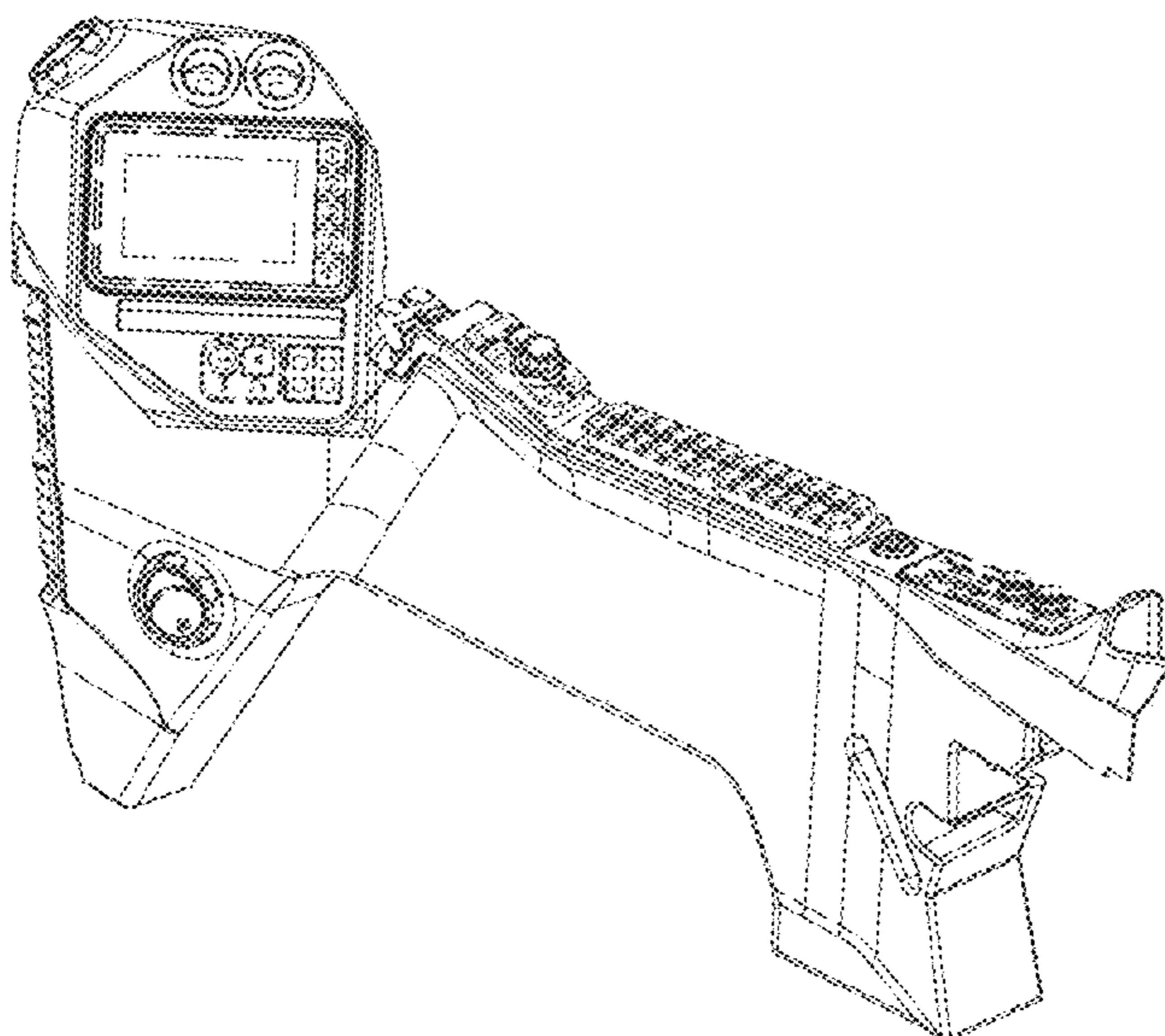
FIG. 7 is a front, right-side, and top view.

FIG. 8 is a rear, right-side, and top view; and,

FIG. 9 is a second rear, right-side, and top view.

The broken lines represent elements of the cab molding with a display and controls that are not seen when the product is installed, which form no part of the claimed design.

1 Claim, 7 Drawing Sheets



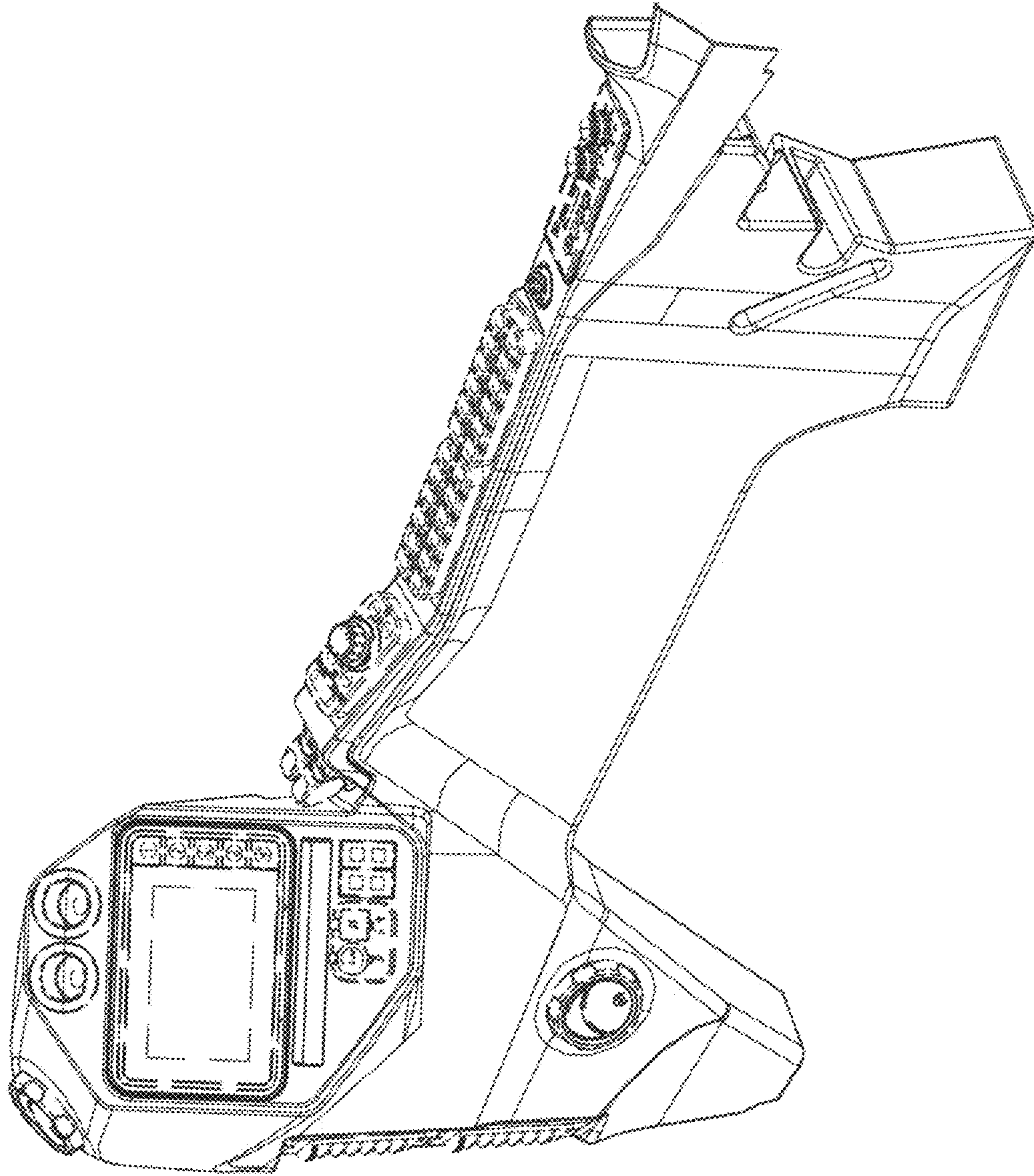


Fig. 1

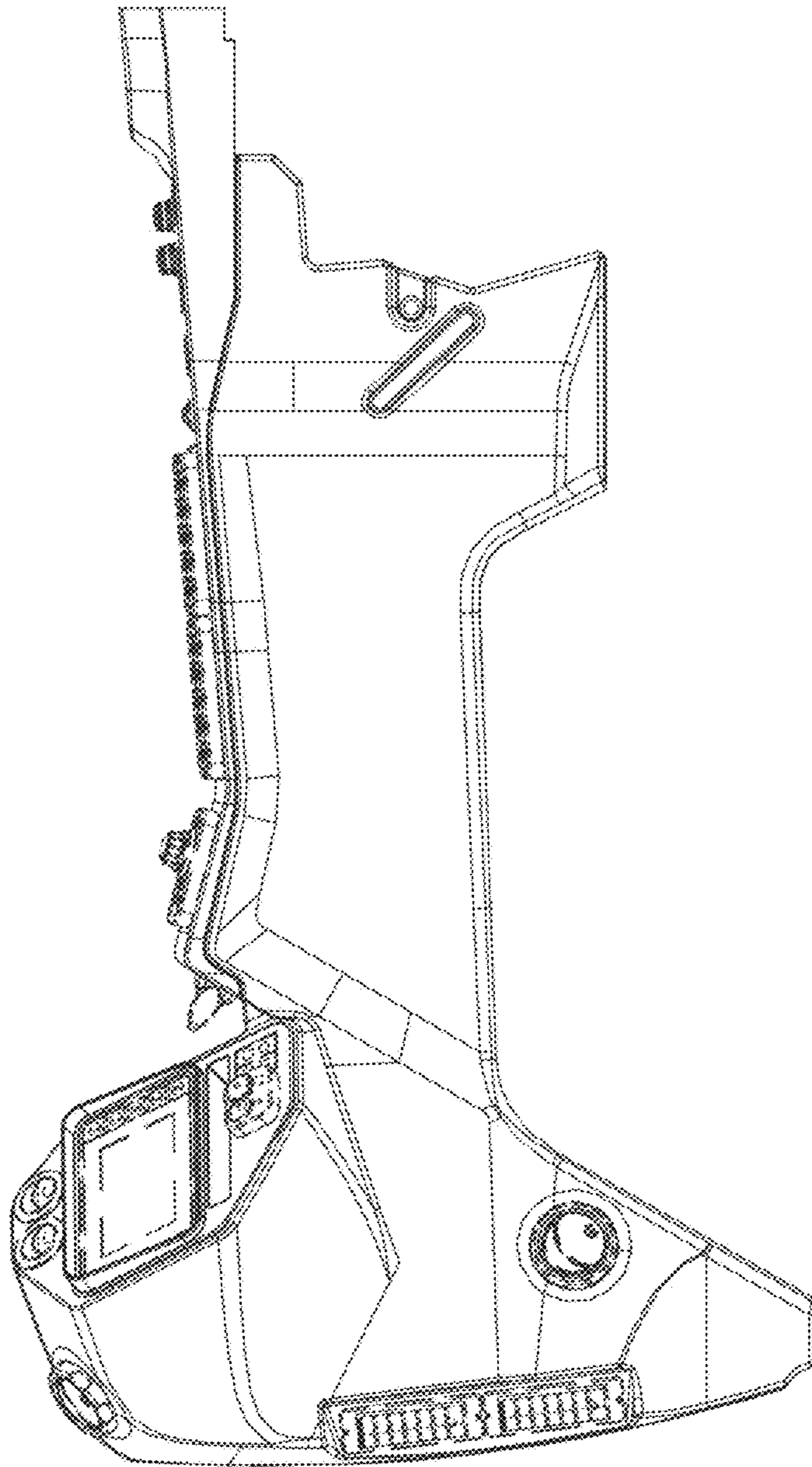


Fig. 2

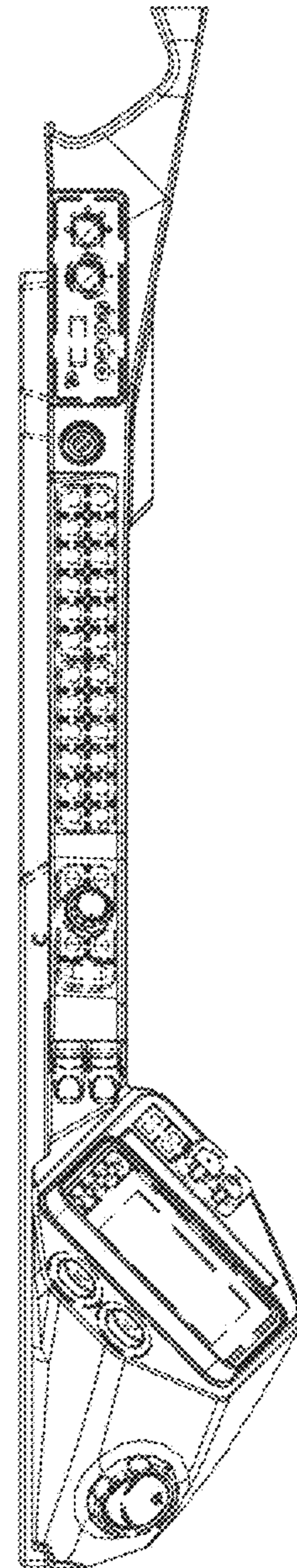


Fig. 3

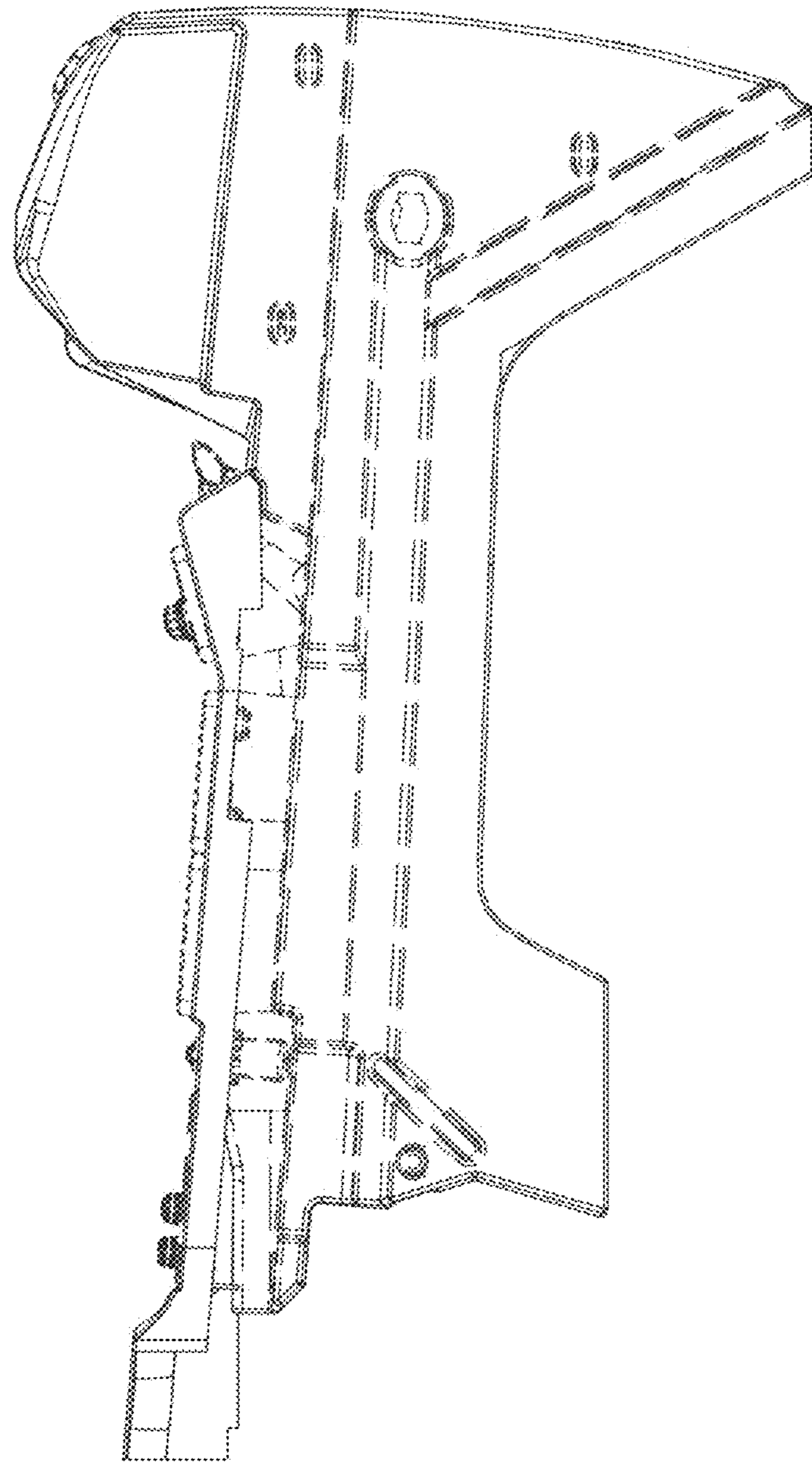


Fig. 4

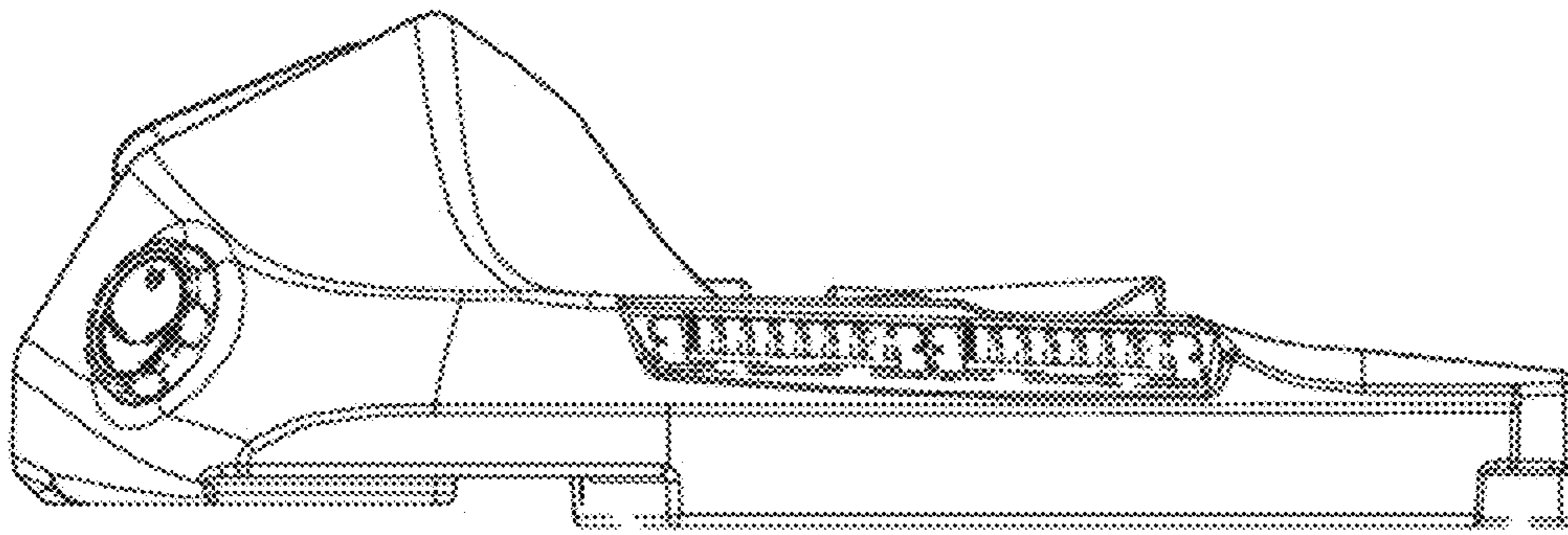


Fig. 6

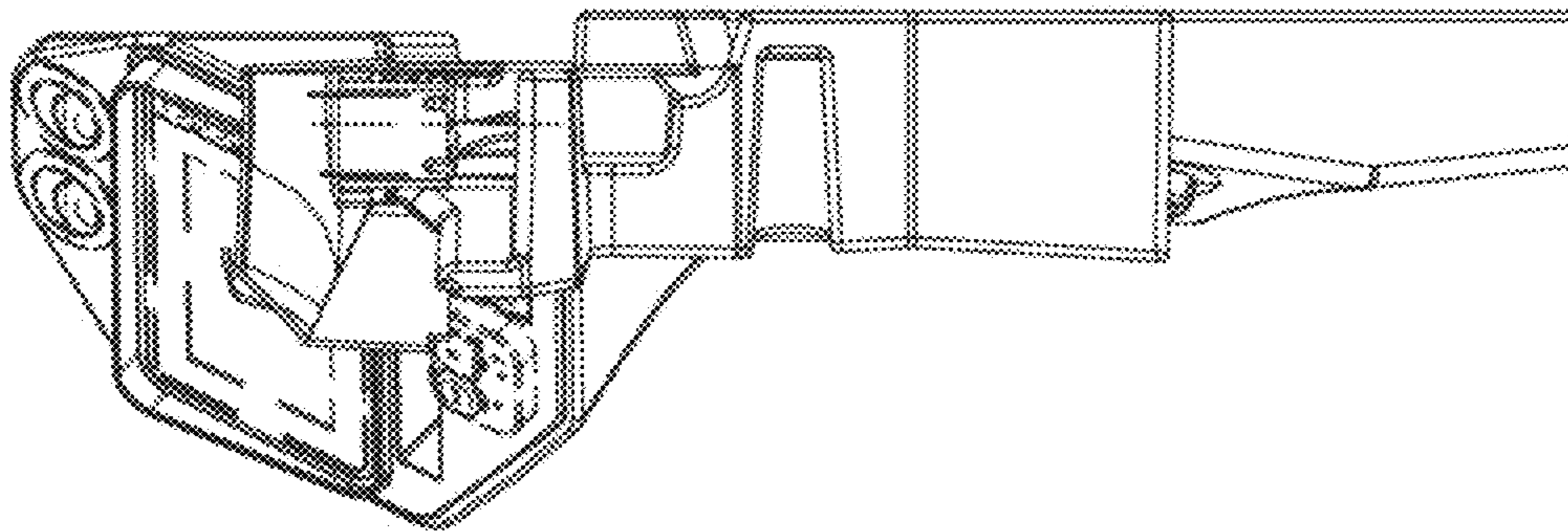


Fig. 5

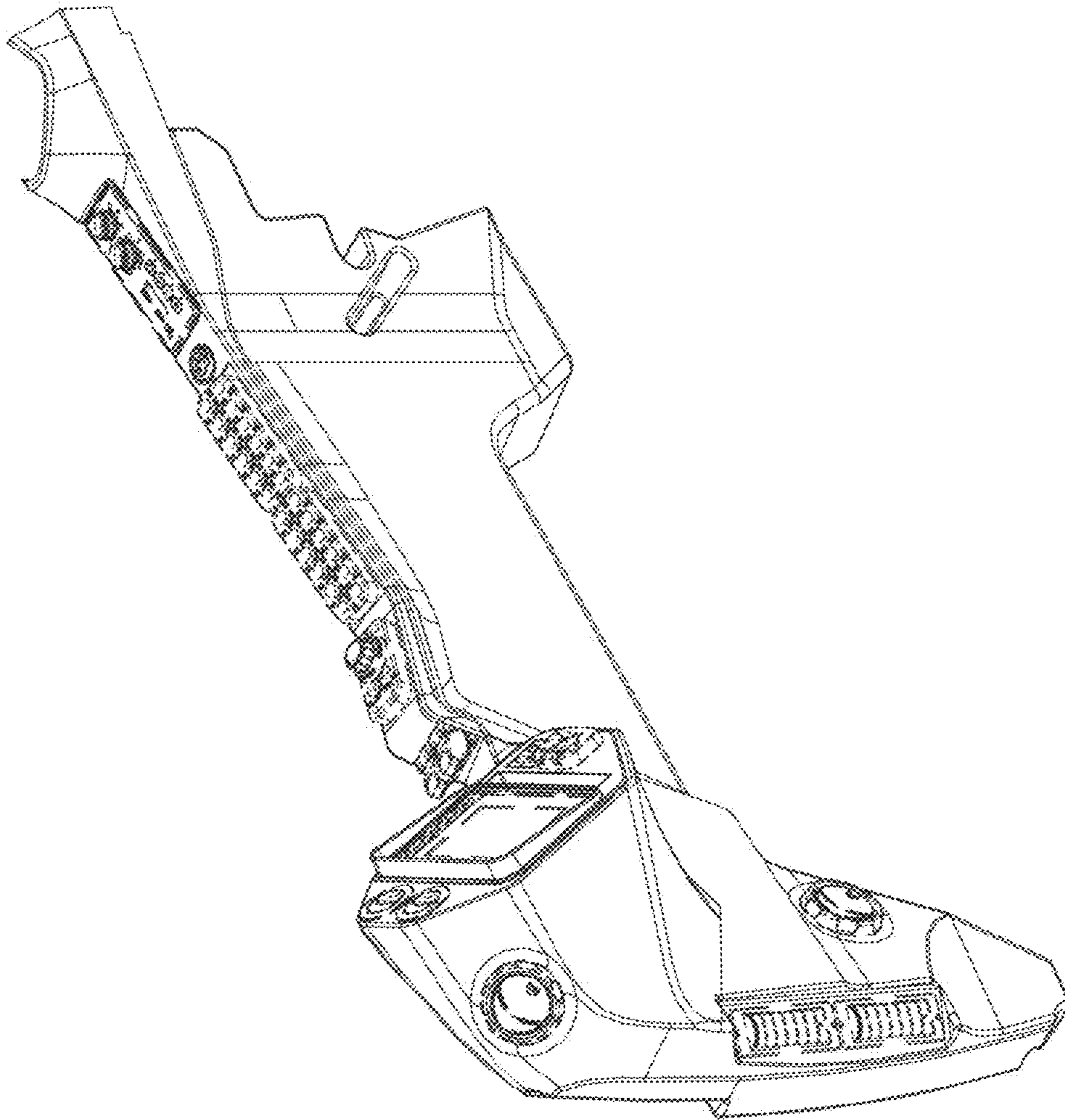


Fig. 7

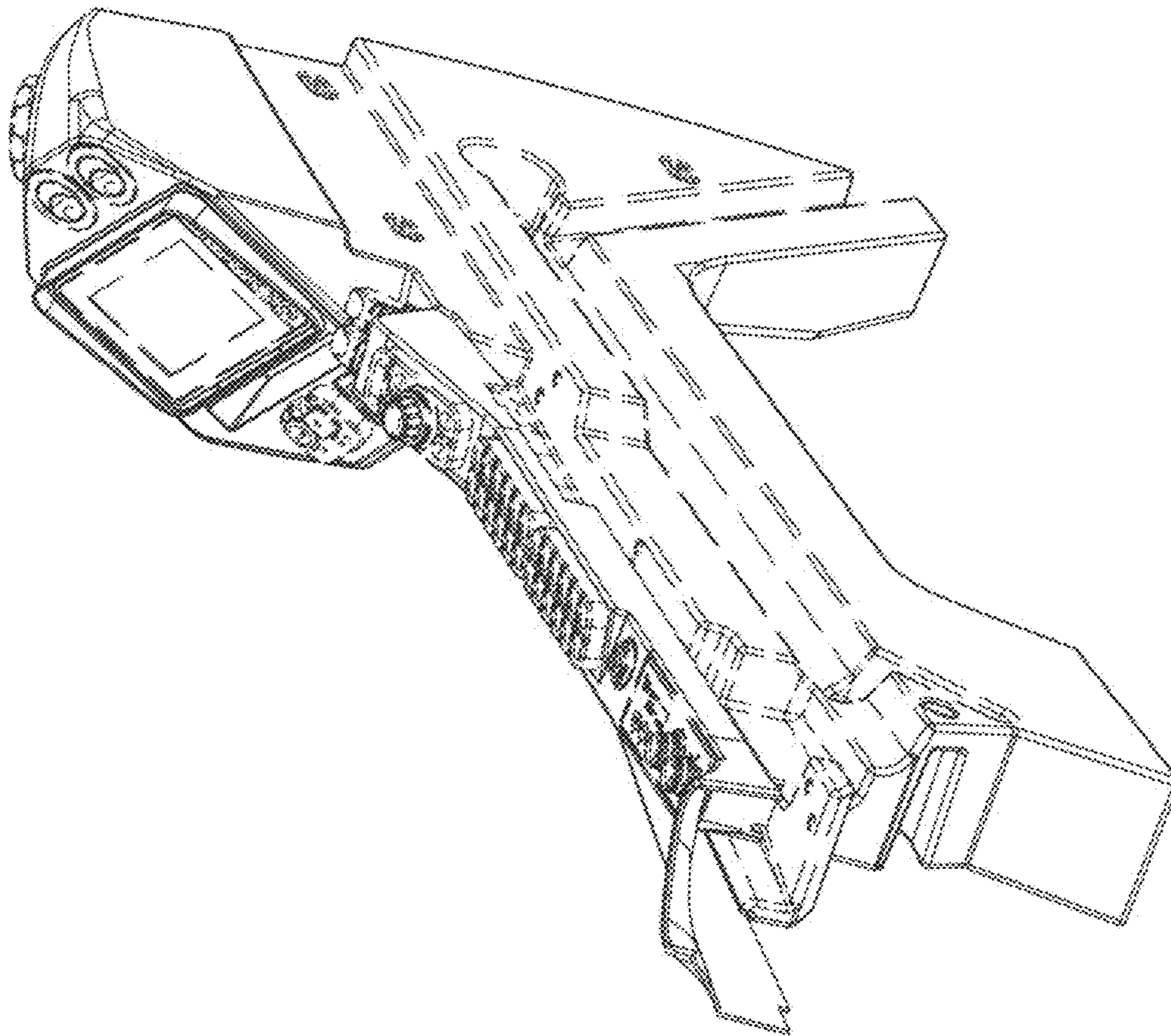


Fig. 8

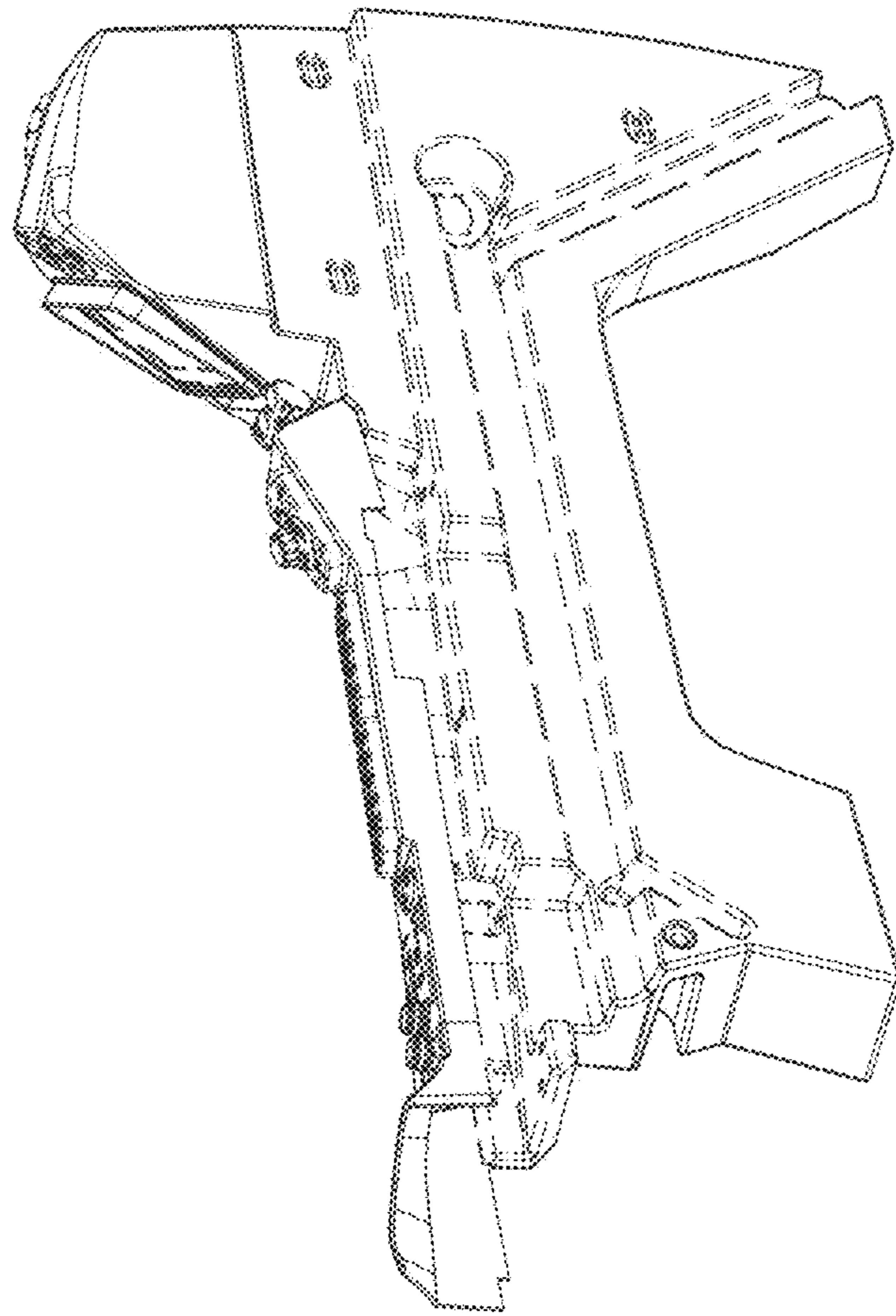


Fig. 9